



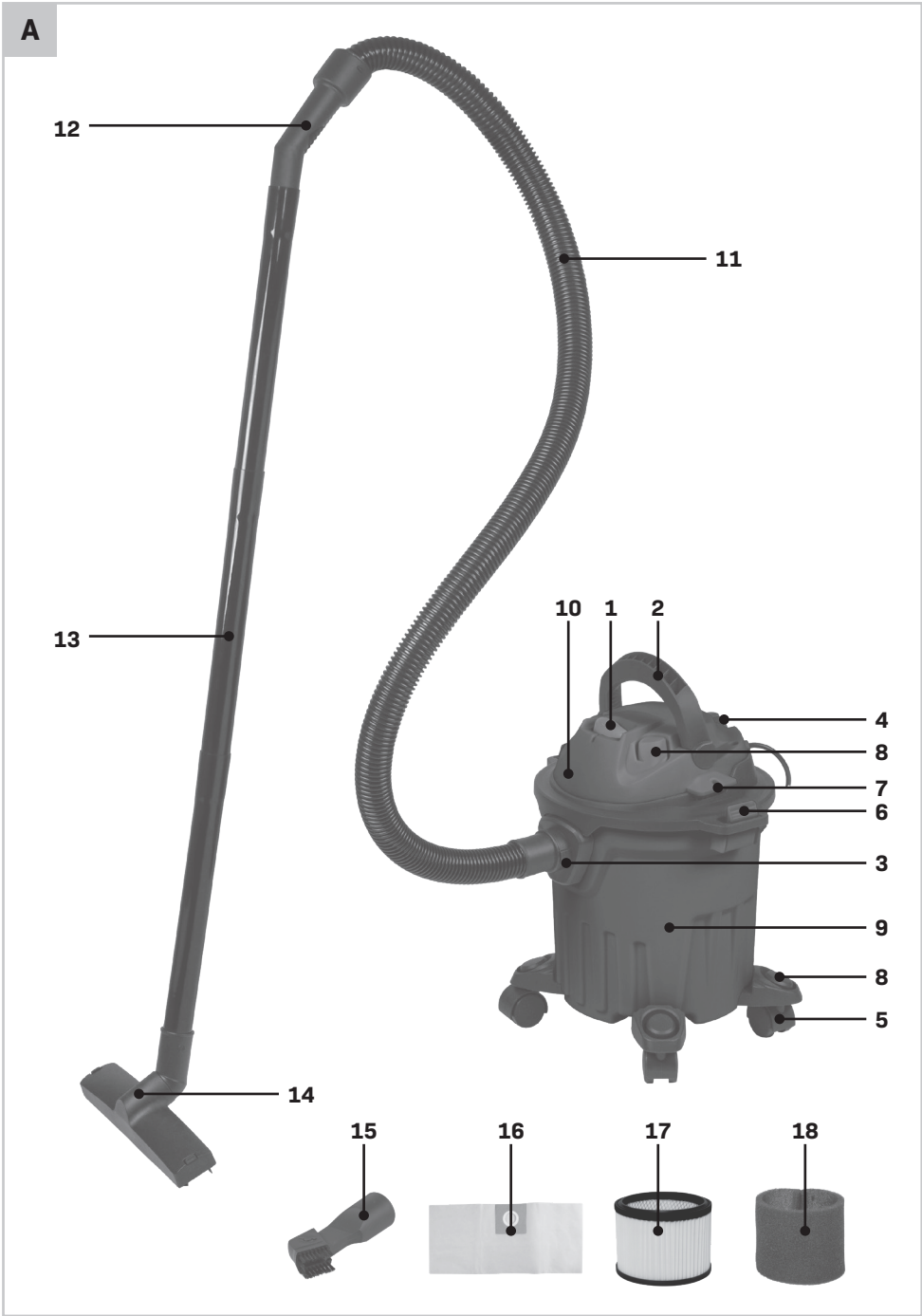
VONROC®

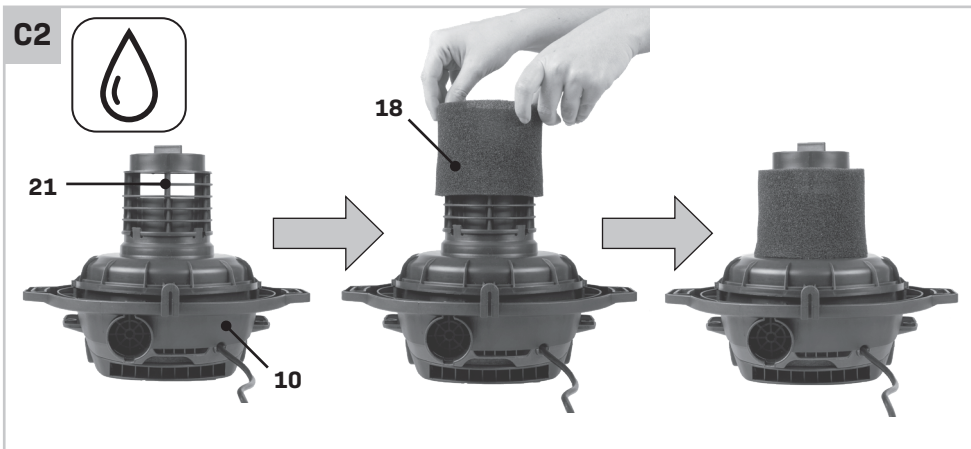
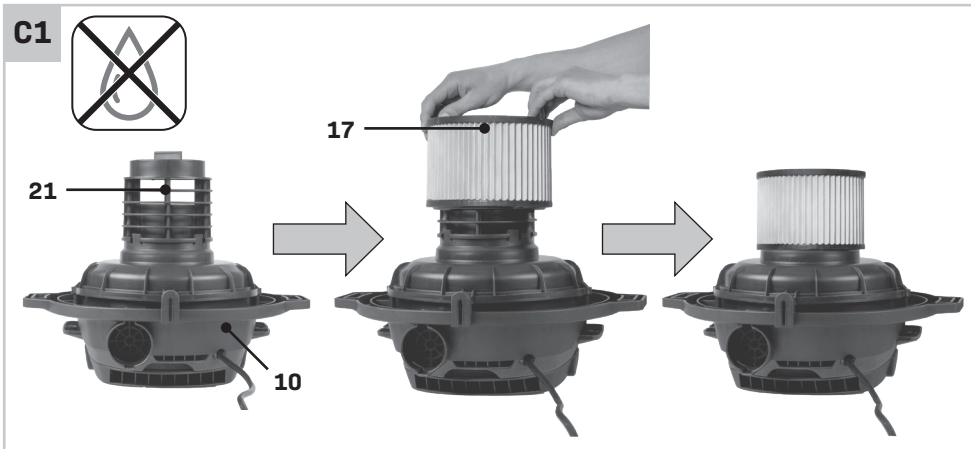
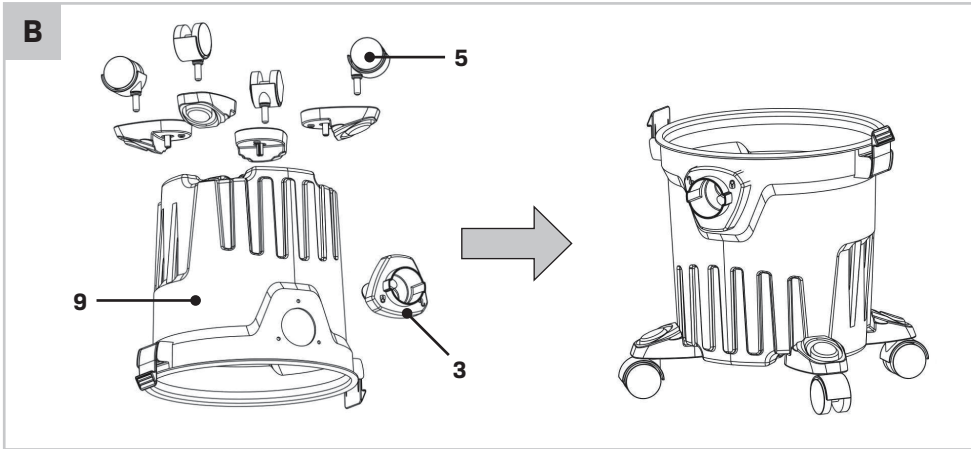
BUILD YOUR FUTURE

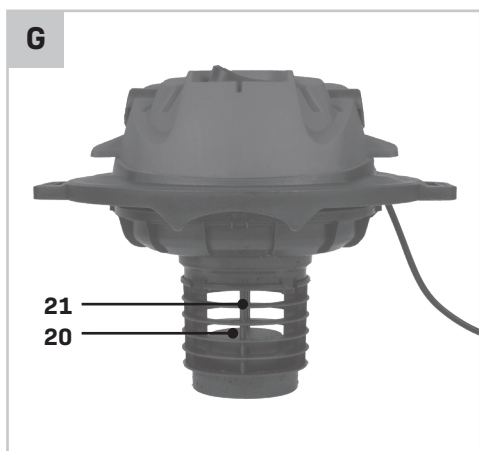
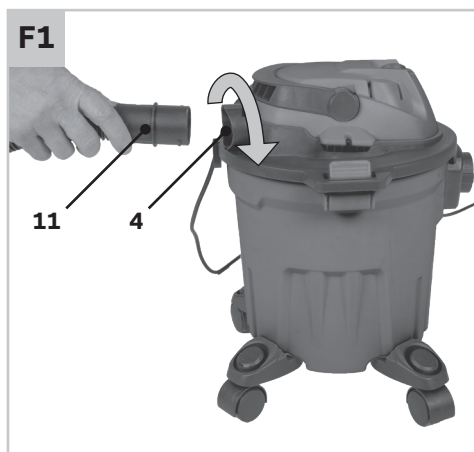
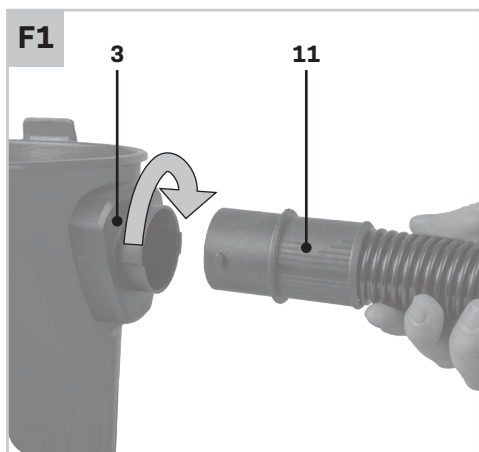
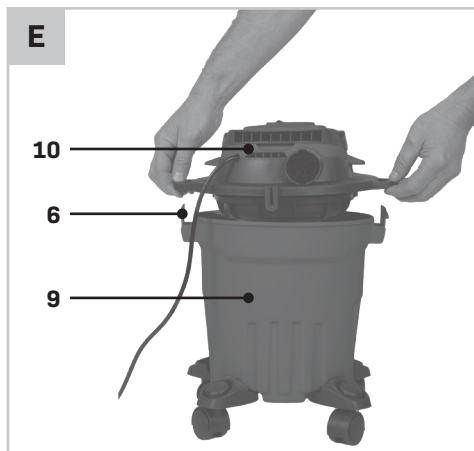
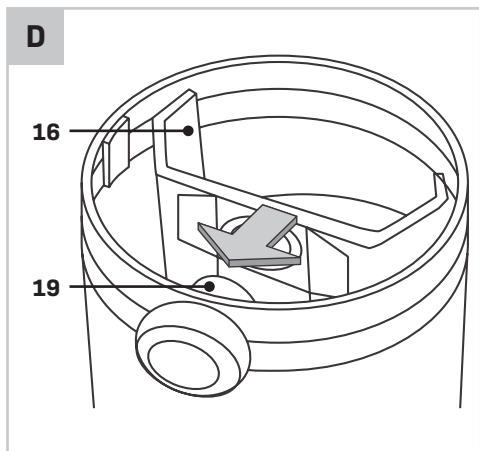
WET & DRY VACUUM CLEANER VC502AC



EN	Original Instructions	05
DE	Übersetzung Der Originalbetriebsanleitung	10
NL	Vertaling van de oorspronkelijke gebruiksaanwijzing	17
FR	Traduction de la notice originale	23
ES	Traducción del manual original	29
PT	Instruções originais	35
IT	Traduzione delle istruzioni originali	41
PL	Tłumaczenie instrukcji oryginalnej	47
SV	Bruksanvisning i original	53
DA	Original vejledning	59
HU	Az eredeti használati útmutató fordítása	65
CS	Překlad originálního návodu k obsluze	71
RO	Traducere a instrucțiunilor originale	77
TR	Orijinal talimatların çevirisi	83







1. SAFETY INSTRUCTIONS

Read the enclosed safety warnings, the additional safety warnings and the instructions. Failure to follow the safety warnings and the instructions may result in electric shock, fire and/or serious injury. Save the safety warnings and the instructions for future reference.

The following symbols are used in the user manual or on the product:



Read the user manual.



Denotes risk of personal injury, loss of life or damage to the tool in case of nonobservance of the instructions in this manual.



Risk of electric shock.



Immediately remove the mains plug from the mains if the mains cable becomes damaged and during cleaning and maintenance.



Class II machine - Double insulation - You don't need any earthed plug.



If the temperature of the material exceeds 40°C, there is a risk of fire.



Do not dispose of the product in unsuitable containers.



The product is in accordance with the applicable safety standards in the European directives.

SAFETY NOTES

THIS APPLIANCE CAN BE USED BY CHILDREN AGED FROM 8 YEARS AND ABOVE AND PERSONS WITH REDUCED PHYSICAL, SENSORY OR MENTAL CAPABILITIES OR LACK OF EXPERIENCE AND KNOWLEDGE IF THEY HAVE BEEN GIVEN SUPERVISION OR INSTRUCTION CONCERNING USE OF THE APPLIANCE IN A SAFE WAY AND UNDERSTAND THE HAZARDS INVOLVED. CHILDREN SHALL NOT PLAY WITH THE APPLIANCE. CLEANING AND USER MAINTENANCE SHALL NOT BE MADE BY CHIL-

DREN WITHOUT SUPERVISION. IF THE SUPPLY CORD IS DAMAGED, IT MUST BE REPLACED BY THE MANUFACTURER, ITS SERVICE AGENT OR SIMILARLY QUALIFIED PERSON IN ORDER TO AVOID A HAZARD. THE PLUG MUST BE REMOVED FROM THE SOCKET/OUTLET BEFORE CLEANING OR MAINTAINING THE APPLIANCE.

- 1) Keep your work area clean: Cluttered work areas and workbenches are a source of injury.
- 2) The vacuum cleaner should be properly assembled before use.
- 3) Use only extension cords approved for outdoor use (when the vacuum is used outside) and make sure that they are always in good condition.
- 4) Protect the electric cables and, in particular, make sure that they are not crushed, pulled, or damaged by edges, sharp pieces, or moving parts; or damaged by corrosive liquids.
- 5) Do not use a damaged extension cord. Do not make any permanent or temporary repairs to the cable itself.
- 6) Do not use a vacuum cleaner that has a damaged electric cord. Have a new cable installed by an authorised service center.
- 7) Do not attach anything else to the socket, electric cords, or extension cord.
- 8) Before plugging your vacuum cleaner into the electrical outlet, make sure that the voltage and the outlet requirements match what is indicated on the label next to the cord.
- 9) Do not pull the device by the cord.
- 10) Your machine should always be turned off before unplugging it from the outlet or the extension cord.
- 11) Before leaving the device unsupervised (even for a brief time) turn it off and unplug it from the electrical outlet. This should also be done if there is a loss of power.
- 12) Do not underestimate its power. Always maintain a balanced and stable stance.
- 13) Keep children and pets away from the machine. When the machine is operating, everyone should stay at a safe distance.
- 14) The device should not be used by children or by persons who are not familiar with the device or who have not read this instruction manual.
- 15) The user of the device is responsible for the safety of others while using it.
- 16) The vacuum should only be used for its intended

purposes.

- 17) Before performing any maintenance, adjustment or cleaning procedures on the vacuum cleaner, turn it off, unplug it from the electrical outlet, and wait for the motor to stop.
- 18) Be very careful when checking, cleaning, or performing maintenance on the device and wear thick work gloves to protect your hands.
- 19) Neither the security devices nor the electric cords should be modified or removed from the machine.
- 20) When using the machine, it should be kept steady and on a stable surface or supported by the body.
- 21) Only work in full daylight or with appropriate artificial light.
- 22) We recommend using some type of hearing protection for your ears.
- 23) If the machine vibrates abnormally, stop the motor and look for the cause immediately. Vibrations usually mean a problem.
- 24) The vacuum cleaner should be properly checked before each use. Do not use a machine that is not in perfect condition. If you notice a problem that could constitute a danger to the user, have the machine repaired before using it.
- 25) For safety reasons, replace worn or damaged parts. Use only manufacturer approved replacement parts. Parts from sources other than the manufacturer may not fit properly or may be dangerous or cause injuries. The power cord can only be replaced by specialized customer service centers.
- 26) Only use the vacuum cleaner in areas that are dry and protected from bad weather. Do not use it outside when it is raining.
- 27) Store the vacuum in a dry place, out of the reach of children.
- 28) Do not leave the power cord lying around once cleanup is done; someone could trip.
- 29) Take care when emptying extremely heavy tanks.
- 30) To avoid spontaneous combustion, empty the tank after every use.
- 31) Do not use this machine to vacuum up flammable or combustible liquids, such as gasoline, photocopier powder, or volatile substances; and do not use the machine in areas where these liquids are present. Do not vacuum up acids.
- 32) Do not vacuum up any materials that are toxic, cancer causing, combustible, or any other dangerous materials, such as asbestos, asbestos dust, arsenic, barium, beryllium, lead, pesticides,

or any other substances hazardous to your health.

- 33) Extreme caution should be used when vacuuming up wood or charcoal ashes, soot, cement, plaster, or plasterboard dust. These particles are extremely fine and can pass through the filters affecting the motor's performance or be blown into the air. If necessary, therefore we strongly recommend a cloth filter in combination with a dust collection bag when cleaning these types of materials.
- 34) Do not vacuum up anything that is burning or smoldering, such as cigarettes, cigarette butts, matches, or hot ashes.
- 35) Never vacuum up salt water; it may destroy the motor.

SAFETY WARNINGS SPECIFIC FOR BLOWING

- a) Direct air discharge at work area only. Never at people or animals.
- b) Risk of flying objects. Keep bystanders away from the work area.
- c) Always wear safety goggles before using the blowing function.

Electrical safety

When using electric machines always observe the safety regulations applicable in your country to reduce the risk of fire, electric shock and personal injury. Read the following safety instructions and also the enclosed safety instructions.



Always check that the voltage of the power supply corresponds to the voltage on the rating plate label.



Class II machine - Double insulation - You don't need any earthed plug.

If operating a power tool in a damp location is unavoidable, use a residual current device (RCD) protected supply. Use of an RCD reduces the risk of electric shock.

2. MACHINE INFORMATION

Intended use

The vacuum cleaner is intended for domestic wet and dry vacuuming in, for example, the house, work room, car or garage. The vacuum cleaner is equipped with a blowing function. It can be used

to blow dust and debris out of garages or of patios and driveways.

The device is not suitable for commercial or industrial use.

TECHNICAL SPECIFICATIONS

Model No.	VC502AC
Mains voltage	220-240 V~
Mains frequency	50-60 Hz
Power input	1000W
Cable length	5m
Protection category	IPX4
Suction force	16 kPA, 1.5 m3/min
Container capacity approx.	12 L
Useful volume approx.	5 L
Filter - dry	HEPA filter
Filter - wet	Foam filter
Hose system	Ø32mm
Diameter intake port (19 Fig. D)	Ø44mm
Recommended dust bag	VC802AA
Weight (incl. all accessories) approx.	3.6kg

DESCRIPTION

The numbers in the text refer to the diagrams on pages 2-4.

1. On/Off switch
2. Carrying handle
3. Vacuum port
4. Blowing port
5. Castor wheels
6. Locking clamp
7. Power cord storage
8. Tubes and nozzles storage
9. Container
10. Top section
11. Hose
12. Handle
13. Suction tubes
14. Floor nozzle
15. 2 in 1 nozzle
16. Dust collection bag
17. HEPA filter
18. Foam filter

19. Intake port
20. Float
21. Filter cage

3. ASSEMBLY



Before assembly, always switch off the machine and remove the mains plug from the mains.

1. Press the 4 steering castors (5) on the container (9) and tighten the screws as shown in Fig. B. Make sure the steering castors (5) are securely fastened.
2. Assemble the vacuum port (3) on the container (9) and tighten the screws as shown in Fig. B.
3. Fit the filter. Ensure to mount the correct filter, depending on the application:
 - For dry vacuum cleaning, carefully slide the HEPA filter (17) over the filter cage (21) making sure the entire cage (21) is covered as shown in Fig. C-1.
 - For wet vacuum cleaning, carefully slide the foam filter (18) over the filter cage (21) making sure the entire cage (21) is covered as shown in Fig. C-2.
4. Place the top section (10) on the container (9) as shown in Fig. E.
5. Connect the suction hose (11).
 - For vacuuming (Fig. F-1), connect the suction hose (11) to the vacuum port (3).
 - For blowing (Fig. F-2), connect the suction hose (11) to the blowing port (4).
6. One or more suction tubes (13) can be fit to the handle (12) to extend it (fig. A).
7. Connect the desired nozzle to the handle or suction tubes (13).

Floor nozzle (14)

The floor nozzle is designed for domestic wet and dry vacuuming in, for example, the house, work room, or garage.

2 in 1 nozzle (15)

The crevice nozzle is designed for domestic wet and dry vacuuming, edges and other areas that are difficult to access. The brush is designed to vacuuming solids from small areas.

4. OPERATION



If the vacuum cleaner accidentally tips over, the shut-off float (20) mechanism may cover the motor vacuum port and stop the suction. If this happens, simply stand the vacuum upright and turn it off until the float (20) returns to its normal position.

Switching on (Fig. A):



Do not vacuum without a filter!

1. Fully unwind the suction hose (11).
2. Connect the mains plug.
3. Press the power switch (1) into the "ON/1" position to start your vacuum cleaner.

Switching off (Fig. A):

Press the power switch (1) into the "OFF/0" position to switch off your vacuum cleaner.

Dry vacuuming (Fig. A, C - F)



Clean the HEPA filter (17) regularly to maintain the suction power



To avoid the HEPA filter (17) becoming clogged, we recommend the additional use of a dust collection bag (16).



Fine dust, such as dust from cement, soot and plaster are too fine to be used with only the HEPA filter (17) and risk getting into the motor and damaging it. Therefore we strongly recommend a dust collection bag (16) when cleaning these types of materials.



Clogged dust collection bag (16) can burst - therefore make sure to replace the dust collection bag in a timely manner!

1. Switch off (1) the machine and remove the mains plug from the mains.
2. Unlock the locking clamp (6) and remove the top section (10).
3. Before vacuuming, remove all dirt and debris from the container (9).
4. Carefully slide HEPA filter (17) down over the filter cage (21) making sure the whole cage (21) is covered as shown in Fig. C-1.

5. For vacuuming with dust collection bag (16):
 - Hold the cardboard collar tightly and slide the rubber protective element as far as possible onto the intake port (19) as shown in Fig. D.
 - When everything is in place, unfold the bag (16) out and position it around the inside walls of the container (9).
6. Reattach the top section (10) again and lock the locking clamp (6).
7. Insert one end of the hose (11) into the vacuuming port (3). Fully unwind the suction hose (11).
8. Connect the mains plug.
9. Press the power switch (1) into the "ON/1" position to start your vacuum cleaner.
10. The machine now is ready to use for dry vacuum cleaning.
11. Press the power switch (1) into the "OFF/0" position to switch off your vacuum cleaner.

Wet vacuuming (Fig. A, C, E - G)



The vacuum cleaner is equipped with a float (20). The suction power decreases when the maximum filling level is reached. Switch the vacuum cleaner off (1) immediately. Remove the plug from the socket and empty the container (9).



Clean the float (20) at regular intervals, and check it for damage. Otherwise, its function can be impaired.



Never reach into the water to be suctioned up. Danger of electric shock.



Immediately switch (1) the machine off if foam forms or liquids escape!



Do not use a dust collection bag (16)!

1. Switch off (1) the machine and remove the mains plug from the mains.
2. Unlock the locking clamp (6) and remove the top section (10).
3. Before wet vacuuming, remove the dust collection bag (16), the HEPA filter (17) and remove all dirt and debris from the container (9).
4. Carefully slide foam filter (18) down over the filter cage (21) making sure the whole cage

- (21) is covered as shown in Fig. C-2.
- Reattach the top section (10) again and lock the locking clamp (6).
 - Insert one end of the hose (11) into the vacuuming port (3). Fully unwind the suction hose (11).
 - Connect the mains plug.
 - Press the power switch (1) into the "ON/1" position to start your vacuum cleaner.
 - The machine now is ready for wet vacuum cleaning.
 - Press the power switch (1) into the "OFF/0" position to switch off your vacuum cleaner.
 - Raise the hose (11) so that the liquids drains into the container (9).
 - Empty the container (9) immediately after suction cleaning because it is not designed to store liquids.

Blow function (Fig. A, E - F)



Operation without the use of a filter is recommended.



Remove all dirt and debris from the container (9) before you use the blow function.



Always wear safety goggles before using the blowing function.



Risk of flying objects. Keep bystanders away from the work area.

Your vacuum cleaner is equipped with a blowing function. It can be used to blow dust and debris out of garages or off patios and driveways.

- Switch off (1) the machine and remove the mains plug from the mains.
- Unlock the locking clamp (6) and remove the top section (10).
- Before blowing, remove the dust collection bag (16), the filter (17, 18) and remove all dirt and debris from the container (9).
- Reattach the top section (10) again and lock the locking clamp (6).
- Insert one end of the hose (11) into the blowing port (4) on rear of machine. Fully unwind the suction hose (11).
- Connect the mains plug.

- Press the power switch (1) into the "ON/1" position to start your vacuum cleaner.
- The machine is now ready for blowing dust and debris.
- Press the power switch (1) into the "OFF/0" position to switch off your vacuum cleaner.

Finish operation (Fig. A)

- Turn off (1) the machine and disconnect the mains plug.
- Remove the top section (10) and empty the container (9).
- Clean the machine with a soft cloth.
- Stow away the mains cable and accessory at the machine. Store the appliance in a dry room.

5. MAINTENANCE



Before cleaning and maintenance, always switch off the machine and remove the mains plug from the mains.

Clean the machine casings regularly with a soft cloth, preferably after each use. Make sure that the ventilation openings are free of dust and dirt. Remove very persistent dirt using a soft cloth moistened with soapsuds. Do not use any solvents such as gasoline, alcohol, ammonia, etc. Chemicals such as these will damage the synthetic components.

Filters (Fig. A)



For optimal performance it is recommended to regularly change the filters (17,18) depending on level of use.

- Carefully remove HEPA (17) or foam (18) filter.
- Use a mild soap and water solution to clean the filter and afterwards rinse with clean water.
- Allow filter to air dry before installing and using again.
- Re-install the filter.

Float and filter cage (Fig. G)

Clean the float (20) and filter cage (21) regularly with a soft cloth, and check it for damage. Otherwise, its function can be impaired.

ENVIRONMENT



Faulty and/or discarded electrical or electronic apparatus have to be collected at the appropriate recycling locations.

Only for EC countries

Do not dispose of power tools into domestic waste. According to the European Guideline 2012/19/EC for Waste Electrical and Electronic Equipment and its implementation into national right, power tools that are no longer usable must be collected separately and disposed of in an environmentally friendly way.

WARRANTY

VONROC products are developed to the highest quality standards and are guaranteed free of defects in both materials and workmanship for the period lawfully stipulated starting from the date of original purchase. Should the product develop any failure during this period due to defective material and/or workmanship then contact VONROC directly.

The following circumstances are excluded from this guarantee:

- Repairs and or alterations have been made or attempted to the machine by unauthorized service centers;
- Normal wear and tear;
- The tool has been abused, misused or improperly maintained;
- Non-original spare parts have been used.

This constitutes the sole warranty made by company either expressed or implied. There are no other warranties expressed or implied which extend beyond the face hereof, herein, including the implied warranties of merchantability and fitness for a particular purpose. In no event shall VONROC be liable for any incidental or consequential damages. The dealers remedies shall be limited to repair or replacement of nonconforming units or parts.

The product and the user manual are subject to change. Specifications can be changed without further notice.

1. SICHERHEITSANWEISUNGEN

Lesen Sie die beigelegten Sicherheitswarnungen, die zusätzlichen Sicherheitswarnungen und die Anweisungen. Die Nichteinhaltung der Sicherheitswarnungen und der Anweisungen kann in einem Stromschlag, Brand und/oder in schweren Verletzungen resultieren. Bewahren Sie die Sicherheitswarnungen und Anweisungen für künftige Referenzzwecke auf.

Die folgenden Symbole werden im Benutzerhandbuch oder auf dem Produkt verwendet:



Lesen Sie das Benutzerhandbuch.



Lebens- und Verletzungsgefahr und Gefahr von Beschädigungen am Werkzeug/ Gerät bei Nichteinhaltung der Anweisungen in dieser Bedienungsanleitung.



Gefahr eines Stromschlags.



Ziehen Sie sofort den Netzstecker aus der Steckdose, falls das Netzkabel beschädigt wird sowie bei der Reinigung und Wartung.



Werkzeug/Gerät der Schutzklasse II - schutzisoliert - kein Schutzkontaktschluss erforderlich.



Wenn die Temperatur des Materials 40°C übersteigt, besteht Brandgefahr.



Entsorgen Sie das Produkt nicht in hierfür nicht vorgesehenen Abfallbehältern.



Das Produkt entspricht den geltenden Sicherheitsnormen der europäischen Richtlinien.

SICHERHEITSHINWEISE

DIESES GERÄT KANN VON KINDERN AB 8 JAHREN UND DARÜBER SOWIE VON PERSONEN MIT VERRINGERTEN PHYSISCHEN, SENSORISCHEN ODER MENTALEN FÄHIGKEITEN ODER MANGEL AN ERFAHRUNG UND WISSEN BENUTZT WERDEN, WENN SIE BEAUFSICHTIGT ODER BEZÜGLICH DES SICHEREN GEBRAUCHS DES GERÄTES UNTERWIESEN WURDEN UND

DIE DARAUSS RESULTIERENDEN GEFAHREN VERSTEHEN. KINDER DÜRFEN NICHT MIT DEM GERÄT SPIELEN. REINIGUNG UND BENUTZER-WARTUNG DÜRFEN NICHT VON KINDERN OHNE BEAUFSICHTIGUNG DURCHGEFÜHRT WERDEN. BESCHÄDIGTE NETZKABEL MÜSSEN DURCH DEN HERSTELLER, DESSEN KUNDENDIENST ODER ÄHNLICH QUALIFIZIERTE FACHLEUTE AUSGETAUSCHT WERDEN, UM GEFAHRENSITUATIONEN ZU VERMEIDEN. DER STECKER MUSS VOR DER REINIGUNG ODER WARTUNG DES GERÄTS AUS DER STECKDOSE GEZOGEN WERDEN.

- 1) Halten Sie Ihren Arbeitsbereich sauber: Unübersichtliche Arbeitsbereiche und Werkbänke stellen eine Verletzungsquelle dar.
- 2) Der Staubsauger sollte vor dem Gebrauch ordnungsgemäß zusammengebaut werden.
- 3) Verwenden Sie nur Verlängerungskabel, die für die Verwendung im Freien zugelassen sind (wenn der Staubsauger im Freien verwendet wird), und stellen Sie sicher, dass sie immer in gutem Zustand sind.
- 4) Schützen Sie die Stromkabel und stellen Sie insbesondere sicher, dass sie nicht gequetscht, gezogen oder durch Kanten, scharfe oder bewegliche Teile oder durch korrosive Flüssigkeiten beschädigt werden.
- 5) Verwenden Sie kein beschädigtes Verlängerungskabel. Nehmen Sie weder vorübergehende noch dauerhafte Reparaturen am Kabel selbst vor.
- 6) Verwenden Sie keinen Staubsauger mit einem beschädigten Stromkabel. Lassen Sie ein neues Kabel von einem autorisierten Kundendienstzentrum anbringen.
- 7) Schließen Sie keine anderen Geräte an die Steckdose, das Stromkabel oder Verlängerungskabel an.
- 8) Bevor Sie Ihren Staubsauger an die Steckdose anschließen, vergewissern Sie sich, dass die Spannung und die Anforderungen an die Steckdose mit den Angaben auf dem Etikett neben dem Kabel übereinstimmen.
- 9) Ziehen Sie das Gerät nicht am Kabel.
- 10) Ihr Gerät sollte immer ausgeschaltet sein, bevor Sie den Stecker aus der Steckdose ziehen oder das Verlängerungskabel trennen.
- 11) Bevor Sie das Gerät unbeaufsichtigt lassen (auch nur für kurze Zeit), schalten Sie es aus und ziehen Sie den Stecker aus der Steckdose. Das sollte auch dann geschehen, wenn ein Kraftverlust des Geräts auftritt.
- 12) Unterschätzen Sie seine Kraft nicht. Behalten Sie stets eine ausbalancierte und stabile Haltung bei.
- 13) Halten Sie Kinder und Haustiere von dem Gerät fern. Wenn das Gerät in Betrieb ist, sollten alle einen sicheren Abstand einhalten.
- 14) Das Gerät sollte nicht von Kindern oder von Personen verwendet werden, die mit dem Gerät nicht vertraut sind oder die diese Bedienungsanleitung nicht gelesen haben.
- 15) Der Benutzer des Geräts ist für die Sicherheit anderer bei der Benutzung verantwortlich.
- 16) Der Staubsauger darf nur für den vorgesehenen Zweck verwendet werden.
- 17) Bevor Sie Wartungs-, Einstellungs- oder Reinigungsverfahren am Staubsauger vornehmen, schalten Sie ihn aus, ziehen Sie den Stecker aus der Steckdose und warten Sie, bis der Motor zum Stillstand gekommen ist.
- 18) Seien Sie bei der Überprüfung, Reinigung oder Wartung des Geräts sehr vorsichtig und tragen Sie zum Schutz Ihrer Hände dicke Arbeitshandschuhe.
- 19) Weder die Sicherheitsvorrichtungen noch die Stromkabel dürfen verändert oder vom Gerät entfernt werden.
- 20) Bei der Verwendung des Geräts sollte dieses stabil auf einer festen Oberfläche stehen oder vom Körper gestützt gehalten werden.
- 21) Arbeiten Sie nur bei vollem Tageslicht oder mit angemessener Beleuchtung.
- 22) Wir empfehlen die Verwendung eines Gehörschutzes für die Ohren.
- 23) Wenn das Gerät anormal vibriert, stoppen Sie den Motor und ermitteln Sie sofort die Ursache. Vibrationen weisen in der Regel auf ein Problem hin.
- 24) Der Staubsauger sollte vor jedem Gebrauch ordnungsgemäß überprüft werden. Verwenden Sie keine Geräte, die sich nicht in einwandfreiem Zustand befinden. Wenn Sie ein Problem feststellen, das eine Gefahr für den Benutzer darstellen könnte, lassen Sie das Gerät vor der weiteren Verwendung reparieren.
- 25) Ersetzen Sie verschlissene oder beschädigte Teile, um die Sicherheit nicht zu beeinträchtigen. Verwenden Sie nur vom Hersteller zuge-

lassene Ersatzteile. Teile aus anderen Quellen als dem Hersteller passen möglicherweise nicht richtig oder können Gefahren darstellen oder Verletzungen verursachen. Das Stromkabel darf nur von spezialisierten Kundendienstzentren ersetzt werden.

- 26) Verwenden Sie den Staubsauger nur in trockenen und vor Witterungseinflüssen geschützten Bereichen. Verwenden Sie es bei Regen nicht im Freien.
- 27) Bewahren Sie den Staubsauger an einem trockenen Ort und außerhalb der Reichweite von Kindern auf.
- 28) Lassen Sie das Stromkabel nach dem Aufräumen nicht herumliegen; jemand könnte darüber stolpern.
- 29) Vorsicht beim Entleeren extrem schwerer Behälter.
- 30) Um eine Selbstentzündung zu vermeiden, leeren Sie den Behälter nach jedem Gebrauch.
- 31) Verwenden Sie dieses Gerät nicht zum Aufsaugen von brennbaren oder brennbaren Flüssigkeiten wie Benzin, Fotokopierpulver oder flüchtigen Substanzen; und verwenden Sie es nicht in Bereichen, in denen solche Flüssigkeiten vorhanden sind. Keine Säuren aufsaugen.
- 32) Saugen Sie keine giftigen, krebserregenden, brennbaren oder anderen gefährlichen Materialien auf, wie z.B. Asbest, Asbeststaub, Arsen, Barium, Beryllium, Blei, Pestizide oder andere gesundheitsgefährdende Substanzen.
- 33) Äußerste Vorsicht ist beim Aufsaugen von Holzoder Kohlenasche, Ruß, Zement, Gips oder Gipskartonplattenstaub geboten. Diese Partikel sind extrem fein und können daher die Filter passieren und die Leistung des Motors beeinträchtigen oder in die Luft geblasen werden. Bei Bedarf empfehlen wir daher beim Beseitigen solcher Materialien dringend einen Stofffilter in Kombination mit einem Staubsammelbeutel.
- 34) Saugen Sie nichts auf, was brennt oder glimmt, wie z.B. Zigaretten, Zigarettenstummel, Streichhölzer oder heiße Asche.
- 35) Niemals Salzwasser aufsaugen, es kann den Motor zerstören.

SPEZIELLE SICHERHEITSHINWEISE FÜR BLASARBEITEN

- a) Luftaustritt nur auf den Arbeitsbereich richten. Niemals auf Menschen oder Tiere.
- b) Risiko von umherfliegenden Objekten. Zuschauer aus dem Arbeitsbereich fernhalten.
- c) Vor Verwendung der Blasfunktion immer eine Schutzbrille aufsetzen.

Sicherheit bei Elektrizität

Beachten Sie bei der Arbeit mit elektrischen Werkzeugen/Geräten stets die in Ihrem Land geltenden Sicherheitsvorschriften, um Personenschäden, Stromschläge und Brände zu vermeiden. Lesen Sie die folgenden Sicherheitshinweise sowie die beiliegenden Sicherheitshinweise sorgfältig durch.



Stellen Sie immer sicher, dass die Spannung der Stromversorgung der Nennspannung auf dem Typenschild des Werkzeugs/ Geräts entspricht.



Werkzeugs/Geräts entspricht. Werkzeug/ Gerät der Schutzklasse II - schutzisoliert - kein Schutzkontaktanschluss erforderlich.

Wenn sich Arbeiten mit einem Elektrowerkzeug in feuchten Umgebungen nicht vermeiden lassen, verwenden Sie eine Stromversorgung mit einer Fehlerstrom-Schutzeinrichtung (RCD). Durch die Verwendung einer RCD wird die Gefahr eines elektrischen Schlags verringert.

2. ANGABEN ZUM WERKZEUG

Verwendungszweck

Der Staubsauger ist für das häusliche Nass- und Trockensaugen bestimmt, z.B. im Haus, im Arbeitsraum, im Auto oder in der Garage. Der Staubsauger ist mit einer Blasfunktion ausgestattet. Sie kann zum Wegblasen von Staub und Schmutz aus Garagen oder von Innenhöfen und Einfahrten verwendet werden.

Das Gerät ist nicht für den gewerblichen oder industriellen Gebrauch geeignet.

TECHNISCHE DATEN

Modellnummer	VC502AC
Netzspannung	220-240 V~
Netzfrequenz	50-60 Hz
Leistungsaufnahme	1000W
Kabellänge	5m
Schutzklasse	IPX4
Saugkraft	16 kPA, 1,5 m ³ /min
Behälterkapazität ca.	12 L
Nutzvolumen ca.	5 L
Filter - trocken	HEPA filter
Filter - nass	Schaumstofffilter
Schlauchsystem	Ø32mm
Durchmesser der Ansaugöffnung (19 Abb. D)	Ø44mm
Empfohlener Staubbeutel	VC802AA
Gewicht (inkl. aller Zubehörtteile) ca.	3,6 kg

BESCHREIBUNG

Die Zahlen im Text beziehen sich auf die Abbildungen auf den Seiten 2 - 4.

1. Ein-/Ausschalter
2. Tragegriff
3. Sauganschluss
4. Blasanschluss
5. Lenkrollen
6. Verriegelungsklammer
7. Stromkabelaufbewahrung
8. Aufbewahrung von Rohren und Düsen
9. Behälter
10. Oberteil
11. Schlauch
12. Griff
13. Saugrohre
14. Bodendüse
15. 2-in-1-Düse
16. Staubsammelbeutel
17. HEPA filter
18. Schaumstofffilter
19. Ansaugöffnung
20. Schwimmer
21. Filterkäfig

3. MONTAGE

Schalten Sie die Maschine vor der Montage aus und ziehen Sie den Netzstecker aus der Steckdose.

1. Drücken Sie die 4 Lenkrollen (5) auf den Behälter (9) und ziehen Sie die Schrauben wie in Abb. B dargestellt fest. Achten Sie darauf, dass die Lenkrollen (5) sicher befestigt sind.
2. Montieren Sie den Sauganschluss (3) an den Behälter (9) und ziehen Sie die Schrauben wie in Abb. B dargestellt fest.
3. Bringen Sie den Filter an. Achten Sie darauf, je nach Anwendung den richtigen Filter anzubringen:
 - Zum Trockensaugen schieben Sie den HEPA filter (17) vorsichtig über den Filterkäfig (21), wobei sicherzustellen ist, dass der gesamte Käfig (21) wie in Abb. C-1 dargestellt abgedeckt ist.
 - Zum Nasssaugen schieben Sie den Schaumstofffilter (18) vorsichtig über den Filterkäfig (21), wobei sicherzustellen ist, dass der gesamte Käfig (21) wie in Abb. C-2 dargestellt abgedeckt ist.
4. Setzen Sie das Oberteil (10) wie in Abb. E dargestellt auf den Behälter (9).
5. Schließen Sie den Saugschlauch (11) an.
 - Zum Saugen (Abb. F-1) wird der Saugschlauch (11) mit dem Sauganschluss (3) verbunden.
 - Zum Blasen (Abb. F-2) wird der Saugschlauch (11) mit dem Blasanschluss (4) verbunden.
6. An dem Griff (12) können zur Verlängerung ein oder mehrere Saugrohre (13) angebracht werden (Abb. A).
7. Verbinden Sie die gewünschte Düse mit dem Griff oder den Saugrohren (13).

Bodendüse (14)

Die Bodendüse ist für das häusliche Nass- und Trockensaugen bestimmt, z.B. im Haus, im Arbeitsraum oder in der Garage.

2-in-1-Düse (15)

Die Fugendüse ist für das häusliche Nass- und Trockensaugen, für Ränder und andere schwer zugängliche Bereiche vorgesehen. Die Bürste ist zum Aufsaugen von Feststoffen aus kleinen Bereichen vorgesehen.

4. BETRIEB



Wenn der Staubsauger versehentlich umkippt, kann der Mechanismus des Absperrschwimmers (20) den Sauganschluss des Motors abdecken und den Saugvorgang stoppen. Wenn dies geschieht, stellen Sie den Staubsauger wieder aufrecht hin und schalten ihn aus, bis der Schwimmer (20) in seine normale Position zurückgekehrt ist.

Einschalten (Abb. A):



Nicht ohne Filter saugen!

1. Wickeln Sie den Saugschlauch (11) vollständig ab.
2. Stecken Sie den Netzstecker in die Steckdose.
3. Stellen Sie den Netzschalter (1) in die Position „ON/1“, um den Staubsauger zu starten.

Ausschalten (Abb. A):

Stellen Sie den Netzschalter (1) in die Position „OFF/0“, um den Staubsauger auszuschalten.

Trockensaugen (Abb. A, C - F)



Reinigen Sie den HEPA-Filter (17) regelmäßig, um die Saugkraft aufrechtzuerhalten.



Um ein Verstopfen des HEPA filters (17) zu vermeiden, empfehlen wir die zusätzliche Verwendung eines Staubsammelbeutels (16).



Feiner Staub, wie Zement-, Ruß- und Gipsstaub, ist zu fein, um nur mit dem HEPA filter (17) verwendet zu werden, und birgt die Gefahr, in den Motor zu gelangen und ihn zu beschädigen. Daher empfehlen wir beim Aufsaugen solcher Materialien dringend einen Staubsammelbeutel (16).



Ein verstopfter Staubsammelbeutel kann platzen - deshalb sollte der Staubsammelbeutel (16) rechtzeitig ausgetauscht werden!

1. Schalten Sie das Gerät aus (1) und ziehen Sie den Netzstecker aus der Steckdose.

2. Entriegeln Sie die Verriegelungsklammer (6) und nehmen Sie das Oberteil (10) ab.
3. Entfernen Sie vor dem Saugen sämtlichen Schmutz und Ablagerungen aus dem Behälter (9).
4. Schieben Sie den HEPA filter (17) vorsichtig über den Filterkäfig (21) nach unten, wobei sicherzustellen ist, dass der gesamte Käfig (21) wie in Abb. C-1 dargestellt abgedeckt ist.
5. Zum Saugen mit Staubsammelbeutel (16):
 - Halten Sie den Pappkragen fest und schieben Sie das Gummischutzelement wie in Abb. D dargestellt so weit wie möglich auf die Ansaugöffnung (19).
 - Wenn alles an seinem Platz ist, falten Sie den Beutel (16) auseinander und setzen Sie ihn um die Innenwände des Behälters (9) herum ein.
6. Bringen Sie das Oberteil (10) wieder an und verriegeln Sie die Verriegelungsklammer (6).
7. Stecken Sie ein Ende des Schlauchs (11) in den Sauganschluss (3). Wickeln Sie den Saugschlauch (11) vollständig ab.
8. Stecken Sie den Netzstecker in die Steckdose.
9. Stellen Sie den Netzschalter (1) in die Position „ON/1“, um den Staubsauger zu starten.
10. Das Gerät ist nun zum Trockensaugen bereit.
11. Stellen Sie den Netzschalter (1) in die Position „OFF/0“, um den Staubsauger auszuschalten.

Nasssaugen (Abb. A, C, E - G)



Der Staubsauger ist mit einem Schwimmer (20) ausgestattet. Die Saugleistung nimmt ab, wenn der maximale Füllstand erreicht ist. Schalten Sie den Staubsauger dann sofort aus (1). Ziehen Sie den Stecker aus der Steckdose und leeren Sie den Behälter (9).



Reinigen Sie den Schwimmer (20) in regelmäßigen Abständen und überprüfen Sie ihn auf Beschädigungen. Andernfalls kann die Funktion beeinträchtigt werden.



Niemals in das aufzusaugende Wasser greifen. Stromschlaggefahr.



Schalten Sie das Gerät sofort aus (1), wenn sich Schaum bildet oder Flüssigkeiten austreten!



Verwenden Sie keinen Staubsammelbeutel!

1. Schalten Sie das Gerät aus (1) und ziehen Sie den Netzstecker aus der Steckdose.
 2. Entriegeln Sie die Verriegelungsklammer (6) und nehmen Sie das Oberteil (10) ab.
 3. Nehmen Sie vor dem Nasssaugen den Staubsammelbeutel (16) und den HEPA filter (17) ab und entfernen Sie sämtlichen Schmutz und Ablagerungen aus dem Behälter (9).
 4. Schieben Sie den Schaumstofffilter (18) vorsichtig über den Filterkäfig (21) nach unten, wobei sicherzustellen ist, dass der gesamte Käfig (21) wie in Abb. C-2 dargestellt abgedeckt ist.
 5. Bringen Sie das Oberteil (10) wieder an und verriegeln Sie die Verriegelungsklammer (6).
 6. Stecken Sie ein Ende des Schlauchs (11) in den Sauganschluss (3). Wickeln Sie den Saugschlauch (11) vollständig ab.
 7. Stecken Sie den Netzstecker in die Steckdose.
 8. Stellen Sie den Netzschalter (1) in die Position „ON/1“, um den Staubsauger zu starten.
 9. Das Gerät ist nun zum Nasssaugen bereit.
 10. Stellen Sie den Netzschalter (1) in die Position „OFF/0“, um den Staubsauger auszuschalten.
 11. Heben Sie den Schlauch (11) so an, dass die Flüssigkeiten in den Behälter (9) ablaufen können.
 12. Leeren Sie den Behälter (9) sofort nach dem Saugen, da er nicht für die Aufbewahrung von Flüssigkeiten geeignet ist.
2. Entriegeln Sie die Verriegelungsklammer (6) und nehmen Sie das Oberteil (10) ab.
 3. Nehmen Sie vor dem Blasen den Staubsammelbeutel (16) und die Filter (17, 18) ab und entfernen Sie sämtlichen Schmutz und Ablagerungen aus dem Behälter (9).
 4. Bringen Sie das Oberteil (10) wieder an und verriegeln Sie die Verriegelungsklammer (6).
 5. Stecken Sie ein Ende des Schlauchs (11) in den Blasanschluss (4) hinten am Gerät. Wickeln Sie den Saugschlauch (11) vollständig ab.
 6. Stecken Sie den Netzstecker in die Steckdose.
 7. Stellen Sie den Netzschalter (1) in die Position „ON/1“, um den Staubsauger zu starten.
 8. Das Gerät ist jetzt bereit, um Staub und Schmutz wegzublasen.
 9. Stellen Sie den Netzschalter (1) in die Position „OFF/0“, um den Staubsauger auszuschalten.

Abschluss der Arbeit (Abb. A)

1. Schalten Sie das Gerät aus (1) und ziehen Sie den Netzstecker ab.
2. Nehmen Sie das Oberteil (10) ab und leeren Sie den Behälter (9).
3. Reinigen Sie das Gerät mit einem weichen Tuch.
4. Verstauen Sie das Stromkabel und das Zubehör am Gerät. Lagern Sie das Gerät aufrecht an einem trockenen Ort.

5. WARTUNG

Blasfunktion (Abb. A, E - F)



Es wird der Betrieb ohne den Einsatz eines Filters empfohlen.



Vor der Verwendung der Blasfunktion sämtlichen Schmutz und Ablagerungen aus dem Behälter (9) entfernen.



Vor Verwendung der Blasfunktion immer eine Schutzbrille aufsetzen.



Risiko von umherfliegenden Objekten. Zuschauer aus dem Arbeitsbereich fernhalten.

Der Staubsauger ist mit einer Blasfunktion ausgestattet. Sie kann zum Wegblasen von Staub und Schmutz aus Garagen oder von Innenhöfen und Einfahrten verwendet werden.

1. Schalten Sie das Gerät aus (1) und ziehen Sie den Netzstecker aus der Steckdose.



Schalten Sie das Werkzeug immer aus, und entnehmen Sie den Akku aus dem Gerät, bevor Sie Reinigungs- oder Wartungsarbeiten am Werkzeug vornehmen.

Reinigen Sie das Werkzeuggehäuse regelmäßig mit einem weichen Lappen, vorzugsweise nach jeder Verwendung. Stellen Sie sicher, dass die Lüftungsöffnungen frei von Staub und Schmutz sind. Entfernen Sie anhaftenden Schmutz mit einem weichen Lappen, der leicht mit Seifenwasser befeuchtet wurde. Verwenden Sie keine Lösungsmittel wie Benzin, Alkohol, Ammoniak usw., da Chemikalien dieser Art die Kunststoffteile beschädigen.

Filter (Abb. A)



Für eine optimale Leistung wird empfohlen, die Filter (17,18) je nach Nutzungsgrad regelmäßig zu wechseln.

1. HEPA filter (17) oder Schaumstofffilter (18) vorsichtig entfernen.
2. Reinigen Sie den Filter mit einer milden Seifenlauge und spülen Sie anschließend mit sauberem Wasser nach.
3. Lassen Sie den Filter an der Luft trocknen, bevor Sie ihn wieder anbringen und erneut verwenden.
4. Bringen Sie den Filter wieder an.

Schwimmer und Filterkäfig (Abb. G)

Reinigen Sie Schwimmer (20) und Filterkäfig (21) regelmäßig mit einem weichen Tuch und überprüfen Sie die Teile auf Beschädigungen. Andernfalls kann die Funktion beeinträchtigt werden.

UMWELTSCHUTZ



Schadhafte und/oder zu entsorgende elektrische oder elektronische Werkzeuge und Geräte müssen an den dafür vorgesehenen Recycling-Stellen abgegeben werden.

Nur für EG-Länder

Entsorgen Sie Elektrowerkzeuge nicht über den Hausmüll. Entsprechend der EU-Richtlinie 2012/19/EG über Elektro- und Elektronik-Altgeräte sowie der Umsetzung in nationales Recht müssen Elektrowerkzeuge, die nicht mehr im Gebrauch sind, getrennt gesammelt und umweltschonend entsorgt werden.

GARANTIE

VONROC-Produkte werden nach den höchsten Qualitätsstandards entwickelt und sind für den gesetzlich festgelegten Zeitraum, ausgehend von dem ursprünglichen Kaufdatum, garantiert frei von Fehlern in Material und Ausführung. Sollte das Produkt in diesem Zeitraum aufgrund von Material- und/oder Verarbeitungsmängeln Fehler aufweisen, wenden Sie sich bitte direkt an VONROC Kundendienst.

Folgende Umstände sind von der Garantie ausgeschlossen:

- Reparaturen und oder Änderungen an der Maschine, die durch nicht-autorisierte Servicestellen vorgenommen oder versucht wurden.
- Normale Abnutzung und Verschleiß.

- Das Werkzeug wurde übermäßig beansprucht, missbräuchlich verwendet oder falsch gewartet.
- Es wurden keine Original-Ersatzteile verwendet.

Dies stellt die einzige Gewährleistung des Unternehmens dar, sowohl ausdrücklich als auch implizit. Es gibt keine anderen ausdrücklichen oder stillschweigenden Garantien, die über das hier Genannte hinausgehen, einschließlich der stillschweigenden Garantien der Marktgängigkeit oder Eignung für einen bestimmten Zweck. In keinem Fall ist VONROC haftbar für Neben- oder Folgeschäden. Die Rechtsmittel des Händlers beschränken sich auf Reparatur oder Ersatz fehlerhafter Einheiten oder Teile.

Am Produkt und am Benutzerhandbuch können Änderungen vorgenommen werden. Die technischen Daten können sich ohne Vorankündigung ändern.

1. VEILIGHEIDSVOORSCHRIFTEN

Lees de bijgesloten veiligheidsvoorschriften, de aanvullende veiligheidsvoorschriften en de instructies. Het niet in acht nemen van de veiligheidsvoorschriften en de instructies kan leiden tot elektrische schok, brand en/of ernstig letsel. Bewaar de veiligheidsvoorschriften en de instructies voor toekomstig gebruik.

De volgende symbolen worden gebruikt in de gebruikershandleiding of op het product:



Lees de gebruikershandleiding.



Gevaar voor lichamelijk letsel, overlijden of schade aan de machine wanneer de instructies in deze handleiding niet worden opgevolgd.



Gevaar voor elektrische schokken.



Verwijder onmiddellijk de netstekker uit het stopcontact indien het netsnoer beschadigd raakt en tijdens reiniging en onderhoud.



Klasse II apparaat - Dubbel geïsoleerd - Een geaarde stekker is niet noodzakelijk.



Brandgevaar als het materiaal warmer is dan 40°C.



Werp het product niet weg in ongeschikte containers.



Het product is in overeenstemming met de van toepassing zijnde veiligheidsnormen in de Europese richtlijnen.

VEILIGHEIDSWAARSCHUWINGEN

DIT APPARAAT MAG WORDEN GEBRUIKT DOOR KINDEREN VANAF 8 JAAR EN DOOR PERSONEN MET VERMINDERDE LICHAAMELIJKE, ZINTUIGLIJKE OF GEESTELIJKE VERMOGENS, OF MET EEN GEBREK AAN ERVARING EN KENNIS, MITS ZIJ ONDER TOEZICHT STAAN OF GEÏNSTRUEERD ZIJN BETREFFENDE HET VEILIG GEBRUIK VAN HET APPARAAT EN ZICH BEWUST ZIJN VAN DE ERMEE VERBONDEN RISICO'S. KINDEREN MOGEN NIET MET HET APPARAAT SPELEN. REINIGING EN GEBRUIK

KERSONDERHOUD MOGEN NIET DOOR KINDEREN ZONDER TOEZICHT WORDEN UITGEVOERD. OM GEVAARLIJKE SITUATIES TE VOORKOMEN MOET HET NETSNOER DOOR DE FABRIKANT, ZIJN SERVICEMEDEWERKERS OF ANDERE GEKWALIFICEERDE PERSONEN WORDEN VERVANGEN ALS HET IS BESCHADIGD. DE STEKKER MOET UIT HET STOPCONTACT WORDEN GETROKKEN VOORDAT U HET APPARAAT REINIGT OF ONDERHOUD UITVOERT.

- 1) Houd uw werkplek schoon: Rommelige werkplekken en werkbanken zijn een bron van persoonlijk letsel.
- 2) De stofzuiger moet juist in elkaar worden gezet voordat u deze gebruikt.
- 3) Gebruik alleen verlengsnoeren die goedgekeurd zijn voor buitenshuis gebruik (als de stofzuiger buiten wordt gebruikt) en zorg ervoor dat ze altijd in goede staat verkeren.
- 4) Bescherm het netsnoer en let er in het bijzonder goed op dat het snoer niet wordt geplet, getrokken of wordt beschadigd door scherpe randen, scherpe uitsteeksels, bewegende onderdelen of bijtende vloeistoffen.
- 5) Gebruik geen beschadigde verlengkabels. Maak zelf geen permanente of tijdelijk reparaties aan het snoer.
- 6) Gebruik nooit een stofzuiger met een beschadigd netsnoer. Laat een nieuw snoer monteren door een geautoriseerd servicecentrum.
- 7) Verbind geen andere voorwerpen met het stopcontact, netsnoeren of verlengsnoeren.
- 8) Controleer voordat u de stofzuiger in een stopcontact steekt, dat de spanning van het stopcontact overeenkomt met de waarden aangegeven op het label naast het netsnoer.
- 9) Trek het apparaat niet aan de kabel.
- 10) Het apparaat moet altijd zijn uitgeschakeld voordat u de stekker uit het stopcontact of verlengsnoer trekt.
- 11) Wanneer u het apparaat onbeheerd laat (zelfs maar een enkel ogenblik), schakel het dan uit en trek de stekker uit het stopcontact. Dit moet u ook doen als de elektriciteit uitvalt.
- 12) Onderschat het vermogen van het apparaat niet. Sta altijd gebalanceerd en stabiel op de grond.
- 13) Houd kinderen en huisdieren uit de buurt van het apparaat. Als het apparaat aan staat moet iedereen op een veilige afstand blijven.

- 14) Dit apparaat mag niet worden gebruikt door kinderen of personen die niet bekend zijn met de werking van het apparaat, of personen die de handleiding niet hebben gelezen.
- 15) De gebruiker van het apparaat is tijdens gebruik verantwoordelijk voor de veiligheid van anderen.
- 16) De stofzuiger mag alleen worden gebruikt voor zijn bedoeld gebruik.
- 17) Voordat u onderhoud of aanpassingen uitvoert of de stofzuiger reinigt, moet u deze uitschakelen, de stekker uit het stopcontact trekken en wachten tot de motor is gestopt.
- 18) Wees voorzichtig wanneer u het apparaat controleert, reinigt of wanneer u onderhoud uitvoert, draag werkhandschoenen om uw handen te beschermen.
- 19) De beveiligingscomponenten en het netsnoer mogen nooit worden aangepast of van het apparaat worden verwijderd.
- 20) Wanneer u het apparaat gebruikt moet het stevig op een stabiel oppervlak staan, of met uw lichaam worden ondersteunt.
- 21) Werk alleen met voldoende daglicht, of met toereikende verlichting.
- 22) Wij raden aan dat u een vorm van gehoorbescherming gebruikt om uw oren te beschermen.
- 23) Als het apparaat meer dan normaal trilt, stop dan onmiddellijk de motor en zoek uit wat de oorzaak is. Trillingen geven meestal een probleem aan.
- 24) De stofzuiger moet voor elk gebruik goed worden gecontroleerd. Gebruik geen apparaat dat niet in perfecte staat verkeerd. Wanneer u een probleem ontdekt wat een gevaar kan vormen voor de gebruiker, laat de machine dan voor gebruik eerst repareren.
- 25) Voor veiligheidsredenen moet u versleten of beschadigde onderdelen vervangen. Gebruik alleen reserveonderdelen die zijn goedgekeurd door de fabrikant. Reserveonderdelen die niet van de fabrikant zijn passen wellicht niet goed en kunnen gevaarlijke situaties of letsel veroorzaken. Het netsnoer kan alleen worden vervangen door gespecialiseerde klantenservicecentra.
- 26) Gebruik de stofzuiger alleen op droge plaatsen die bescherming bieden tegen slecht weer. Gebruik het apparaat niet buiten als het regent.
- 27) Berg de stofzuiger buiten bereik van kinderen op in een droge ruimte.
- 28) Laat het netsnoer niet rondslingeren als u klaar bent; iemand kan er over struikelen.
- 29) Wees voorzichtig wanneer u erg zware reservoirs leegmaakt.
- 30) Om spontane ontbranding te voorkomen, moet u het reservoir na elk gebruik legen.
- 31) Gebruik dit apparaat niet om ontvlambare of brandbare vloeistoffen op te zuigen, zoals benzine, kopieerapparaat toner of instabiele vloeistoffen; gebruik dit apparaat ook nooit in gebieden waar deze vloeistoffen aanwezig zijn. Zuig nooit zuren op.
- 32) Zuig nooit materialen op die giftig, kankerverwekkend of ontvlambaar zijn, of andere gevaarlijke materialen zoals asbest, asbeststof, arseen, barium, beryllium, lood, bestrijdingsmiddelen of andere stoffen die schadelijk zijn voor uw gezondheid.
- 33) Wees extra voorzichtig wanneer u hout of houtskool as, roet, cement, gips of stof van gipsplaten opzuigt. Deze stoffen zijn zeer fijn en kunnen daarom door het filter gaan, dit beïnvloedt de prestaties van de motor en zorgt ervoor dat ze in de lucht worden geblazen. Wanneer u deze stoffen wilt opzuigen, raden wij u ten zeerste aan dat u een filter in combinatie met een stofzak gebruikt.
- 34) Zuig nooit iets op dat nog brand of gloeit, zoals sigaretten, sigarettenpeuken, lucifers of warme as.
- 35) Zuig nooit zout water op, dit kan de motor kapot maken.

VEILIGHEIDSWAARSCHUWINGEN VOOR HET BLAZEN VAN LUCHT

- Richt de lucht alleen op het werkgebied. Nooit richting mensen of dieren.
- Risico dat voorwerpen worden weggeslingerd. Houd omstanders weg van de werkplek.
- Draag altijd een veiligheidsbril wanneer u de blaasfunctie gebruikt.

Elektrische veiligheid

Neem bij het gebruik van elektrische machines altijd de plaatselijk geldende veiligheidsvoorschriften in acht in verband met brandgevaar, gevaar voor elektrische schokken en lichamelijk letsel. Lees behalve onderstaande instructies ook de veiligheidsvoorschriften in het apart bijgevoegde veiligheidskatern door.



Controleer altijd de spanning van de voedingstoevoer overeenkomst met de spanning op het typeplaatje.



Klasse II apparaat - Dubbel geïsoleerd - Een geaarde stekker is niet noodzakelijk.

Gebruik een aardlekbeveiliging (RCD) als niet te voorkomen is dat een powertool moet worden gebruikt in een vochtige omgeving. Gebruik van een RCD vermindert het risico van elektrische schokken.

2. TECHNISCHE INFORMATIE

Bedoeld gebruik

De stofzuiger is bedoeld voor huishoudelijk nat en droog zuigwerk, bijvoorbeeld de woning, werkkamer, auto of garage. De stofzuiger is ook voorzien van een blaasfunctie. Deze functie kan worden gebruikt om stof en vuil uit garages, hofjes en opritten te blazen.

Dit apparaat is niet geschikt voor commercieel of industrieel gebruik.

TECHNISCHE SPECIFICATIES

Modelnr.	VC502AC
Netspanning	220-240 V~
Netfrequentie	50-60 Hz
Opgenomen vermogen	1000W
Kabellengte	5m
Beschermingscategorie	IPX4
Zuigkracht	16 kPa, 1,5 m ³ /min
Reservoircapaciteit ca.	12 L
Aanbevolen max. volume ca.	5 L
Filter - droog	HEPA filter
Filter - nat	Schuimfilter
Slang	Ø32mm
Diameter invoer (19 Afb. D)	Ø44mm
Aanbevolen stofzak	VC802AA
Gewicht (incl. alle accessoires) ca.	3,6 kg

BESCHRIJVING

De nummers in de tekst verwijzen naar de diagrammen op pagina 2 - 4.

- Schakelaar Aan / Uit
- Draaghandgreep
- Stofpoort
- Luchtpoort
- Zwenkwielen
- Vergrendelingsklem
- Netsnoer opslag
- Slangen en hulpstukken opslag
- Reservoir
- Motorbehuizing
- Slang
- Handgreep
- Verlengstukken
- Vloerkop
- 2 in 1 hulpstuk
- Stofzak
- HEPA filter
- Schuimfilter
- Invoer
- Vlotter
- Filterhouder

3. ASSEMBLAGE



Schakel vóór montage altijd de machine uit en verwijder de netstekker uit het stopcontact.

- Druk de 4 zwenkwielen (5) op het reservoir (9) en draai de schroeven vast zoals afgebeeld in Afb. B. Controleer of de zwenkwielen (5) goed vastzitten.
- Monteer de stofpoort (3) op het reservoir (9) en draai de schroeven vast zoals afgebeeld in Afb. B.
- Plaats het filter. Let goed op dat u afhankelijk van de toepassing het juiste filter plaatst:
 - Voor droog stofzuigen: schuif het HEPA filter (17) voorzichtig over de filterhouder (21), zorg ervoor dat de volledige filterhouder (21) is bedekt, zoals afgebeeld in Afb. C-1.
 - Voor nat opzuigen: schuif het schuimfilter (18) voorzichtig over de filterhouder (21), zorg ervoor dat de volledige filterhouder (21) is bedekt, zoals afgebeeld in Afb. C-2.
- Plaats de motorbehuizing (10) op het reservoir (9), zoals afgebeeld in Afb. E.

- Sluit de zuigslang (11) aan.
 - Voor stofzuigen (Afb. F-1): verbindt de zuigslang (11) met de stofpoort (3).
 - Voor blazen (Afb. F-2): verbindt de zuigslang (11) met de luchtpoort (4).
- Één of meer verlengstukken (13) kunnen aan de handgreep (12) worden bevestigd om deze te verlengen (Afb. A).
- Verbind het gewenste hulpstuk aan de handgreep of de verlengstukken (13).

Vloerkop (14)

De vloerkop is ontworpen voor huishoudelijk nat en droog zuigwerk, bijvoorbeeld de woning, werkkamer of garage.

2 in 1 hulpstuk (15)

De spleetzuigmond is ontworpen voor huishoudelijk nat en droog zuigwerk, voor randen en andere oppervlakken die moeilijk zijn te bereiken. De borstel is ontworpen voor het opzuigen van vuil of kleine oppervlakken.

4. BEDIENING



Als de stofzuiger per ongeluk omvalt dekt de vlotter (20) de stofpoort af en stopt de zuigkracht. Wanneer dit gebeurt kunt u simpelweg de stofzuiger weer rechtop zetten en uitschakelen tot de vlotter (20) weer op de normale positie staat.

Inschakelen (Afb. A):



Nooit stofzuigen zonder filter!

- Rol de zuigslang (11) helemaal uit.
- Steek de stekker in het stopcontact.
- Druk de aan/uit-schakelaar (1) in de "ON/1" stand om de stofzuiger in te schakelen.

Uitschakelen (Afb. A):

Druk de aan/uit-schakelaar (1) in de "OFF/0" stand om de stofzuiger uit te schakelen.

Droog stofzuigen (Afb. A, C - F)



Reinig het HEPA-filter (17) regelmatig, zodat de zuigkracht behouden blijft



Om te voorkomen dat het HEPA filter (17) verstopt raakt, raden wij het aan een extra stofzak (16) te gebruiken.



Fijn stof zoals stof van cement, roet en gips zijn te fijn voor gebruik met alleen het HEPA filter (17) en kunnen de motorbehuizing binnendringen en de motor beschadigen. Daarom raden wij het ten eerste aan dat u een filter in combinatie met een stofzak (16) gebruikt wanneer u deze materialen opzuigt.



Volle stofzakken (16) kunnen barsten - vervang de stofzak daarom regelmatig!

- Schakel het apparaat uit (1) en trek de stekker uit het stopcontact.
- Ontgrendel de vergrendelingsklem (6) en verwijder de motorbehuizing (10).
- Verwijder voordat u gaat stofzuigen alle stof en vuil uit het reservoir (9).
- Schuif het HEPA filter (17) voorzichtig over de filterhouder (21), zorg ervoor dat de filterhouder (21) volledig is bedekt, zoals afgebeeld in Afb. C-1.
- Stofzuigen met een stofzak (16):
 - Houd de kartonnen kraag goed vast en schuif de rubberen bescherming zo ver mogelijk in de invoer (19), zoals afgebeeld in Afb. D.
 - Wanneer alles op zijn plaats zit, vouw de stofzak (16) dan uit en plaats deze tegen de zijanten van het reservoir (9).
- Plaats de motorbehuizing (10) weer terug en vergrendel de vergrendelingsklem (6).
- Steek één uiteinde van de slang (11) in de stofpoort (3). Rol de zuigslang (11) helemaal uit.
- Steek de stekker in het stopcontact.
- Druk de aan/uit-schakelaar (1) in de "ON/1" stand om de stofzuiger in te schakelen.
- De machine is nu klaar voor het opzuigen van droge materialen.
- Druk de aan/uit-schakelaar (1) in de "OFF/0" stand om de stofzuiger uit te schakelen.

Nat zuigen (Afb. A, C, E - G)



De stofzuiger is voorzien van een vlotter (20).



De zuigkracht verminderd als het maximale peil is bereikt. Schakel de stofzuiger (1) onmiddellijk uit. Trek de stekker uit het stopcontact en leeg het reservoir (9).



Reinig de vlotter (20) regelmatig en controleer het op beschadigingen. Anders kan de vlotter functie misschien niet goed werken.



Steek nooit uw hand in de vloeistof die moet worden opgezogen. Gevaar voor een elektrische schok.



Schakel het apparaat onmiddellijk uit (1) als u schuim of vloeistof uit het apparaat ziet vloeien!



Gebruik geen stofzak (16)!

- Schakel het apparaat uit (1) en trek de stekker uit het stopcontact.
- Ontgrendel de vergrendelingsklem (6) en verwijder de motorbehuizing (10).
- Verwijder de stofzak (16) en de HEPA filter (17) voordat u nat gaat zuigen en verwijder al het stof en vuil uit het reservoir (9).
- Schuif het schuimfilter (18) voorzichtig over de filterhouder (21), zorg ervoor dat de filterhouder (21) volledig is bedekt, zoals afgebeeld in Afb. C-2.
- Plaats de motorbehuizing (10) weer terug en vergrendel de vergrendelingsklem (6).
- Steek één uiteinde van de slang (11) in de stofpoort (3). Rol de zuigslang (11) helemaal uit.
- Steek de stekker in het stopcontact.
- Druk de aan/uit-schakelaar (1) in de "ON/1" stand om de stofzuiger in te schakelen.
- De machine is nu klaar voor het opzuigen van natte materialen.
- Druk de aan/uit-schakelaar (1) in de "OFF/0" stand om de stofzuiger uit te schakelen.
- Til de slang (11) op zodat de vloeistof in het reservoir (9) loopt.
- Leeg het reservoir (9) onmiddellijk na het opzuigen van vloeistoffen, omdat het reservoir niet is ontworpen als vloeistofopslag.

Blaasfunctie (Afb. A, E - F)



Gebruik van deze functie zonder filter is aangeraden.



Verwijder alle stof en vuil uit het reservoir (9) voordat u de blaasfunctie gebruikt.



Draag altijd een veiligheidsbril wanneer u de blaasfunctie gebruikt.



Risico dat voorwerpen worden weggeslingerd. Houd omstanders weg van de werkplek.

Uw stofzuiger is ook voorzien van een blaasfunctie. Deze functie kan worden gebruikt om stof en vuil uit garages, hofjes en opritten te blazen.

- Schakel het apparaat uit (1) en trek de stekker uit het stopcontact.
- Ontgrendel de vergrendelingsklem (6) en verwijder de motorbehuizing (10).
- Verwijder de stofzak (16) en het HEPA filter (17, 18) voordat u de blaasfunctie gebruikt en verwijder alle stof en vuil uit het reservoir (9).
- Plaats de motorbehuizing (10) weer terug en vergrendel de vergrendelingsklem (6).
- Steek één uiteinde van de slang (11) in de luchtpoort (4) aan de achterkant van het apparaat. Rol de zuigslang (11) helemaal uit.
- Steek de stekker in het stopcontact.
- Druk de aan/uit-schakelaar (1) in de "ON/1" stand om de stofzuiger in te schakelen.
- De machine is nu klaar voor gebruik om stof en vuil weg te blazen.
- Druk de aan/uit-schakelaar (1) in de "OFF/0" stand om de stofzuiger uit te schakelen.

Werkzaamheden beëindigen (Afb. A)

- Schakel het apparaat uit (1) en trek de stekker uit het stopcontact.
- Verwijder de motorbehuizing (10) en leeg het reservoir (9).
- Reinig de machine met een zachte doek.
- Berg het netsnoer en alle hulpstukken op in het apparaat. Berg het apparaat op in een droge ruimte.

5. ONDERHOUD



Verbreek altijd eerst de aansluiting op de stroomvoorziening en voer dan pas onderhoudswerk aan de machine uit.

Reinig de machinebehuizing regelmatig met een zachte doek, bij voorkeur iedere keer na gebruik. Zorg dat de ventilatiesleuven vrij van stof en vuil zijn. Gebruik bij hardnekkig vuil een zachte doek

bevochtigd met zeepwater. Gebruik geen oplosmiddelen als benzine, alcohol, ammonia, etc. Dergelijke stoffen beschadigen de kunststof onderdelen.

Filters (Afb. A)



Voor de beste prestaties raden wij aan om de filters (17,18) regelmatig te vervangen.

1. Verwijder voorzichtig het filterdoek (17) of schuimfilter (18).
2. Gebruik milde zeep en water om het filter te reinigen en spoel het daarna af met schoon water.
3. Laat het filter goed drogen voordat u het filter weer gebruikt.
4. Plaats het filter terug.

Vlotter en filterhouder (Afb. G)

Reinig de vlotter (20) en de filterbehuizing (21) regelmatig met een zachte doek en controleer op beschadigingen. Anders kan de vlotter functie misschien niet goed werken.

MILIEU



Defecte en/of afgedankte elektrische of elektronische gereedschappen dienen ter verwerking te worden aangeboden aan een daarvoor verantwoordelijke instantie.

Uitsluitend voor EG-landen

Werp elektrisch gereedschap niet weg bij het huisvuil. Conform de Europese Richtlijn 2012/19/EG voor Afgedankte Elektrische en Elektronische Apparatuur en de implementatie ervan in nationaal recht moet niet langer te gebruiken elektrisch gereedschap gescheiden worden verzameld en op een milieuvriendelijke wijze worden verwerkt.

WARRANTY

VONROC producten zijn ontworpen volgens de hoogste kwaliteitsstandaarden en gegarandeerd vrij van defecten, zowel materieel als fabrieksfouten, tijdens de wettelijk vastgestelde garantieperiode vanaf de eerste aankoopdatum. Mocht het product tijdens deze periode gebreken vertonen veroorzaakt door defecte materialen en/of fabrieksfouten, neem dan rechtstreeks contact op met VONROC.

De volgende situaties vallen niet onder de garantie:

- Er zijn reparaties of aanpassingen aan de machine uitgevoerd, of er is een poging daartoe ondernomen, door een nietgeautoriseerd servicecentrum.
- Normale slijtage.
- De machine is misbruikt, verkeerd gebruikt of slecht onderhouden.
- Er zijn niet-originele reserveonderdelen gebruikt.

Dit vormt de enige garantie opgesteld door het bedrijf zowel expliciet als impliciet. Er bestaan geen andere garanties expliciet of impliciet welke verder gaan dan deze garantie, inclusief impliciete garanties van verkoopbaarheid en geschiktheid voor bepaalde doeleinden. In geen enkel geval kan VONROC aansprakelijk worden gesteld voor incidentele schade of gevolgschade. Reparaties van dealers zijn gelimiteerd tot de reparatie of vervanging van defecte producten of onderdelen.

Het product en de gebruikershandleiding zijn onderhevig aan wijzigingen. Specificaties kunnen zonder opgaaf van redenen worden gewijzigd.

1. CONSIGNES DE SÉCURITÉ

Consultez les avertissements de sécurité, les avertissements de sécurité additionnels ainsi que les instructions fournis ici. Le non respect des avertissements de sécurité et des instructions peut occasionner une électrocution, un incendie ou des blessures graves. Conservez les avertissements de sécurité et les instructions pour référence future.

Les symboles suivants sont utilisés dans le manuel d'utilisation ou apposés sur le produit:



Lisez le manuel d'utilisation.



Signale un risque de blessures, un danger mortel ou un risque d'endommagement de l'outil en cas de non-respect des instructions de ce manuel.



Risque d'électrocution.



En cas d'endommagement du câble secteur et durant le nettoyage et l'entretien, débranchez immédiatement la fiche de la prise secteur.



Machine de classe II - Double isolation - Vous n'avez pas besoin de prise avec mise à la terre.



Si la température des substances dépasse 40°C, un risque d'incendie est possible.



Ne jetez pas le produit dans des conteneurs qui ne sont pas prévus à cet effet.



Le produit est conforme aux normes de sécurité applicables des directives européennes.

REMARQUES LIÉES À LA SÉCURITÉ
CET APPAREIL PEUT ÊTRE UTILISÉ PAR DES ENFANTS ÂGÉS DE 8 ANS ET PLUS ET PAR DES PERSONNES AUX CAPACITÉS PHYSIQUES, SENSORIELLES OU MENTALES RÉDUITES, OU QUI MANQUENT D'EXPÉRIENCE ET DE CONNAISSANCE, À CONDITION QU'ILS SOIENT SUPERVISÉS OU QU'ILS AIENT ÉTÉ FORMÉS SUR LA FAÇON SÛRE D'UTILISER L'APPAREIL ET

QU'ILS COMPRENNENT LES RISQUES ENCOURUS. LES ENFANTS NE DOIVENT PAS JOUER AVEC L'APPAREIL. LE NETTOYAGE ET LES OPÉRATIONS DE MAINTENANCE À RÉALISER PAR L'UTILISATEUR NE DOIVENT PAS ÊTRE EXÉCUTÉS PAR DES ENFANTS SANS SURVEILLANCE. SI LE CÂBLE D'ALIMENTATION EST ENDOMMAGÉ, IL DOIT ÊTRE REMPLACÉ PAR LE FABRICANT, L'UN DE SES PRESTATAIRES DE SERVICES OU TOUTE AUTRE PERSONNE DISPOSANT DES MÊMES QUALIFICATIONS AFIN D'ÉVITER TOUT RISQUE. LA PRISE DOIT ÊTRE DÉBRANCHÉE DE LA PRISE DE COURANT AVANT DE PROCÉDER AU NETTOYAGE OU À LA MAINTENANCE DE L'APPAREIL.

- 1) Maintenez la zone de travail propre : Les zones de travail et les établis encombrés sont propices aux blessures.
- 2) L'aspirateur doit être assemblé correctement avant l'utilisation.
- 3) N'utilisez que des rallonges électriques homologuées pour l'extérieur (lorsque l'aspirateur est utilisé à l'extérieur) et veillez à ce qu'elles restent en parfait état.
- 4) Protégez les câbles électriques et veillez, en particulier, à ne pas les écraser et à ne pas tirer dessus, à ce qu'ils ne soient pas endommagés par des pièces ou des bords tranchants ou encore par des pièces mobiles ou à ce qu'ils ne soient pas endommagés par des liquides corrosifs.
- 5) N'utilisez pas une rallonge qui aurait été endommagée. N'effectuez aucune réparation temporaire ou permanente sur le câble lui-même.
- 6) N'utilisez pas un aspirateur dont le cordon électrique est endommagé. Faites installer un nouveau câble par un prestataire de services agréé.
- 7) Ne fixez rien d'autre sur la prise, les cordons électriques ou les rallonges.
- 8) Avant de brancher votre aspirateur à la prise de courant, assurez-vous que la tension et les exigences liées à la prise correspondent, telles que mentionnées sur l'étiquette présente près du cordon.
- 9) Ne tirez pas l'appareil par son câble.
- 10) Votre machine doit toujours être éteinte avant de la débrancher de la prise de courant ou de la rallonge.

- 11) Éteignez l'appareil et débranchez-le de la prise électrique avant de le laisser sans surveillance (même pour un court instant). Faites de même en cas de perte de puissance.
- 12) Ne sous-estimez pas la puissance de l'outil.
Gardez toujours une posture stable et équilibrée.
- 13) Gardez les enfants et les animaux à l'écart de la machine. Une distance de sécurité doit être conservée avec toutes les personnes à proximité, lorsque la machine est en marche.
- 14) L'appareil ne doit pas être utilisé par les enfants ou les personnes qui ne sont pas familiarisés avec l'appareil ou qui n'ont pas lu cette notice d'utilisation.
- 15) L'utilisateur de l'appareil est responsable de la sécurité des autres personnes pendant l'utilisation.
- 16) L'aspirateur ne doit être utilisé qu'aux fins pour lesquelles il a été conçu.
- 17) Avant de réaliser des opérations de maintenance, de réglage ou de nettoyage sur l'aspirateur, éteignez-le, débranchez-le de la prise électrique et attendez que le moteur soit arrêté.
- 18) Soyez particulièrement vigilant pendant les vérifications, le nettoyage et la maintenance de l'appareil et portez des gants de travail épais pour protéger vos mains.
- 19) Les dispositifs de sécurité tout comme les cordons électriques ne doivent sous aucun prétexte être modifiés ou retirés de la machine.
- 20) La machine doit être gardée droite sur une surface stable ou tenue pendant son utilisation.
- 21) Ne travaillez que de jour ou si vous disposez d'un éclairage artificiel approprié.
- 22) Nous vous recommandons d'utiliser des protections auditives pour protéger vos oreilles.
- 23) Si la machine se met à vibrer anormalement, arrêtez le moteur et recherchez immédiatement la cause de ces vibrations. Les vibrations sont toujours un signe de problème.
- 24) L'aspirateur doit être vérifié correctement avant chaque utilisation. N'utilisez pas une machine qui ne serait pas en parfait état. Si vous détectez un problème qui pourrait constituer un danger pour l'utilisateur, faites réparer la machine avant de l'utiliser.
- 25) Pour des raisons évidentes de sécurité, remplacez toutes les pièces usées ou endommagées. N'utilisez que des pièces détachées approuvées par le fabricant. Les pièces provenant d'autres sources que le fabricant lui-même peuvent ne pas être parfaitement adaptées, elles peuvent être dangereuses et entraîner des blessures. Le cordon électrique ne peut être remplacé que dans un centre d'assistance client spécialisé.
- 26) N'utilisez l'aspirateur que dans des zones sèches et protégées des intempéries. Ne l'utilisez pas à l'extérieur s'il pleut.
- 27) Rangez l'appareil dans un endroit sec, hors de portée des enfants.
- 28) Ne laissez pas le cordon électrique traîner une fois le nettoyage terminé. Il pourrait faire trébucher des personnes.
- 29) Soyez prudent pour vider le réservoir, surtout s'il est lourd.
- 30) Afin d'éviter tout risque de combustion spontanée, videz le réservoir après chaque utilisation.
- 31) N'utilisez pas cette machine pour aspirer des matières inflammables ou des liquides combustibles, comme de l'essence, du toner ou des substances volatiles et n'utilisez pas la machine dans les lieux où ces matières sont présentes. N'aspirez pas d'acides.
- 32) Veillez à n'aspirer aucune matière toxique, cancérigène, combustible ou toute autre matière dangereuse, comme l'amiante, la poussière d'amiante, l'arsenic, le baryllium, le plomb, les pesticides ou toute autre substance dangereuse pour votre santé.
- 33) Soyez extrêmement prudent en aspirant les cendres de bois et de charbon, la suie, le ciment, le plâtre ou la poussière de panneau de plâtre. Ces particules sont extrêmement fines. Elles peuvent traverser les filtres et amoindrir les performances du moteur ou encore être projetées dans l'air. Nous recommandons donc vivement d'utiliser le filtre en tissu avec un sac à poussière lorsque ce type de matières est aspiré.
- 34) N'aspirez aucune substance incandescente ou en train de se consumer comme des cigarettes, des mégots, des allumettes ou des cendres chaudes.
- 35) N'aspirez jamais d'eau salée, elle pourrait détruire le moteur.

AVERTISSEMENTS LIÉS À LA SÉCURITÉ PROPRES AUX OPÉRATIONS DE SOUFFLAGE

- a) Ne dirigez l'échappement d'air que vers la zone d'intervention. Jamais vers d'autres personnes ou des animaux.
- b) Risque de projection d'objets. Éloignez les personnes à proximité de la zone d'intervention.

- c) Portez systématiquement des lunettes de protection pour utiliser la fonction Soufflage.

Sécurité électrique

Lorsque vous utilisez des machines électriques, veuillez toujours observer les consignes de sécurité locales en vigueur afin de réduire les risques d'incendie, de décharge électrique et de blessure. En plus des instructions ci-dessous, lisez entièrement les consignes de sécurité fournies avec le produit.



Vérifiez que la tension d'alimentation correspond à la tension nominale indiquée sur la plaque signalétique.



Machine de classe II - Double isolation
- Vous n'avez pas besoin de prise avec mise à la terre.

Si vous êtes contraint d'utiliser un outil électrique dans un environnement humide, utilisez une alimentation protégée par un dispositif à courant résiduel (RCD). L'utilisation d'un RCD réduit le risque de décharge électrique.

2. INFORMATIONS RELATIVES À LA MACHINE

Utilisation prévue

L'aspirateur est prévu pour l'aspiration domestique d'éléments secs et humides, à la maison, dans les pièces en travaux, les véhicules ou les garages. L'aspirateur dispose d'une fonction Soufflage. Elle peut servir pour souffler les poussières et les débris hors des garages, des patios ou des allées.

Cet appareil n'est pas destiné à un usage commercial ou industriel.

SPÉCIFICATIONS TECHNIQUES

N° de modèle	VC502AC
Tension de secteur	220-240 V~
Fréquence de secteur	50-60 Hz
Entrée d'alimentation	1000W
Longueur de câble	5m
Classe de protection	IPX4
Puissance d'aspiration	16 kPA, 1,5 m3/min
Capacité du réservoir env.	12 L

Volume utile env.	5 L
Filtre - élément sec	Filtre HEPA
Filtre - élément humide	Filtre en mousse
Tube	Ø32mm
Diamètre de la prise d'entrée d'air (19 Fig. D)	Ø44mm
Sac à poussière recommandé	VC802AA
Poids (avec tous les accessoires) env.	3,6 kg

DESCRIPTION

Les numéros dans le texte se rapportent aux schémas des page 2-4.

1. Interrupteur marche/arrêt
2. Poignée de transport
3. Prise Aspiration
4. Prise Soufflage
5. Roulettes
6. Attaches
7. Rangement pour le câble électrique
8. Rangement pour les tubes et les brosses
9. Réservoir
10. Section haute
11. Tuyau
12. Poignée
13. Tubes d'aspiration
14. Brosse pour les sols
15. Brosse 2-en-1
16. Sac à poussière
17. Filtre HEPA
18. Filtre en mousse
19. Prise d'entrée
20. Flotteur
21. Cage du filtre

3. MONTAGE



Avant le montage, mettez toujours la machine hors tension et débranchez la fiche de la prise secteur.

1. Appuyez les 4 roulettes (5) sur le réservoir (9) et serrez les vis, comme illustré par la figure B. Veillez à ce que les roulettes (5) soient bien fixées.
2. Installez la prise d'aspiration (3) sur le réservoir (9) et serrez les vis, comme illustré par la figure B.
3. Installez le filtre. Veillez à installer le bon filtre en fonction de votre utilisation:

- Pour aspirer des éléments secs, glissez soigneusement le Filtre HEPA (17) sur la cage du filtre (21), en veillant à ce que l'intégralité de la cage (21) soit bien recouverte, comme illustré par la figure C-1.
 - Pour aspirer des éléments humides, glissez soigneusement le filtre en mousse (18) sur la cage du filtre (21), en veillant à ce que l'intégralité de la cage (21) soit bien recouverte, comme illustré par la figure C-2.
4. Installez la section haute (10) sur le réservoir (9), comme illustré par la figure E.
 5. Raccordez le tuyau d'aspiration (11).
 - Pour aspirer (Fig. F-1), raccordez le tuyau d'aspiration (11) à la prise Aspiration (3).
 - Pour souffler (Fig. F-2), raccordez le tuyau d'aspiration (11) à la prise Soufflage (4).
 6. Il est possible d'installer un ou plusieurs tubes d'aspiration (13) sur la poignée (12) pour qu'ils servent de rallonge (Fig. A).
 7. Installez la brosse voulue sur la poignée ou les tubes d'aspiration (13).

Brosse pour les sols (14)

La brosse pour les sols est prévue pour l'aspiration domestique d'éléments secs et humides, à la maison, dans les pièces en travaux ou les garages.

Brosse 2-en-1 (15)

Le suceur plat est conçu pour l'aspiration domestiques d'éléments secs et humides sur les rebords et des autres zones difficiles d'accès. La brosse est conçue pour aspirer les solides sur de petites surfaces.

4. FONCTIONNEMENT



Si l'aspirateur est renversé par accident, le mécanisme du flotteur (20) peut être amené à recouvrir le port d'aspiration du moteur et à stopper l'aspiration. Si cela se produit, redressez simplement l'aspirateur et éteignez-le, le temps que le flotteur (20) ait retrouvé sa position d'origine.

Mettre l'appareil en marche (Fig. A)



N'aspirez rien si le filtre n'est pas installé !

1. Dépliez complètement le tuyau d'aspiration (11).
2. Branchez la prise électrique.

3. Enfoncez l'interrupteur (1) sur la position "Marche/1" pour allumer l'aspirateur.

Éteindre l'appareil (Fig. A)

Enfoncez l'interrupteur (1) sur la position "Arrêt/0" pour éteindre l'aspirateur.

Aspirer des éléments secs (Fig. A, C - F)



Nettoyez régulièrement le filtre HEPA (17) pour maintenir la puissance d'aspiration.



Afin d'éviter l'encrassement du filtre HEPA (17), nous vous recommandons d'utiliser, en plus, un sac à poussière (16).



Les poussières fines, comme les poussières de ciment, la suie ou le plâtre sont trop fines pour le filtre HEPA (17), elles risquent de pénétrer dans le moteur et de l'endommager. Nous vous recommandons donc vivement d'utiliser un sac à poussière (16) lorsque ce type de matières est aspiré.



Un sac à poussière (16) plein peut éclater, vous devez donc veiller à remplacer le sac au bon moment !

1. Éteignez (1) la machine et débranchez la prise électrique du secteur.
2. Déverrouillez les attaches (6) et retirez la section haute (10).
3. Avant d'aspirer, retirez tous les débris du réservoir (9).
4. Glissez soigneusement le filtre HEPA (17) sur la cage du filtre (21), en veillant à ce que l'intégralité de la cage (21) soit bien recouverte, comme illustré par la figure C-1.
5. Pour aspirer avec un sac à poussière (16) :
 - Tenez fermement l'anneau en carton du sac et glissez la protection en plastique aussi loin que possible sur la prise d'entrée (19), comme illustré par la figure D.
 - Une fois que tout est en place, dépliez le sac et positionnez-le autour des parois à l'intérieur du réservoir (9).
6. Réinstallez la section haute (10) et verrouillez les attaches (6).
7. Insérez une extrémité du tuyau (11) dans la prise Aspiration (3). Dépliez complètement le tuyau d'aspiration (11).
8. Branchez la prise électrique.

9. Enfoncez l'interrupteur (1) sur la position "Marche/1" pour allumer l'aspirateur.
10. La machine est alors prête à aspirer des éléments secs.
11. Enfoncez l'interrupteur (1) sur la position "Arrêt/0" pour éteindre l'aspirateur.

Aspirer des éléments humides (Fig. A, C, E - G)



L'aspirateur est équipé d'un flotteur (20). La puissance d'aspiration diminue une fois le niveau de remplissage maximum atteint. Éteignez (1) alors l'aspirateur immédiatement. Retirez la prise de courant et videz le réservoir (9).



Nettoyez le flotteur (20) et vérifiez qu'il n'est pas endommagé à intervalles réguliers. Le bon fonctionnement pourrait sinon être altéré.



N'entrez jamais en contact avec l'eau devant être aspirée. Risque de décharge électrique.



Éteignez (1) immédiatement la machine si vous constatez la formation de mousse ou si du liquide s'en échappe !



N'utilisez pas de sac à poussière (16)!

1. Éteignez (1) la machine et débranchez la prise électrique du secteur.
2. Déverrouillez les attaches (6) et retirez la section haute (10).
3. Avant d'aspirer des éléments humides, retirez le sac à poussière (16), le filtre HEPA (17) et retirez tous les débris du réservoir (9).
4. Glissez soigneusement le filtre en mousse (18) sur la cage du filtre (21), en veillant à ce que l'intégralité de la cage (21) soit bien recouverte, comme illustré par la figure C-2.
5. Réinstallez la section haute (10) et verrouillez les attaches (6).
6. Insérez une extrémité du tuyau (11) dans la prise Aspiration (3). Dépliez complètement le tuyau d'aspiration (11).
7. Branchez la prise électrique.
8. Enfoncez l'interrupteur (1) sur la position "Marche/1" pour allumer l'aspirateur.
9. La machine est alors prête à aspirer des éléments humides.

10. Enfoncez l'interrupteur (1) sur la position "Arrêt/0" pour éteindre l'aspirateur.
11. Soulevez le tuyau (11) pour que le liquide s'écoule dans le réservoir (9).
12. Videz le réservoir (9) immédiatement après l'aspiration car il n'est pas prévu pour conserver des liquides à l'intérieur.

Fonction Soufflage (Fig. A, E - F)



L'utilisation sans filtre est recommandée. Retirez tous les débris du réservoir (9) avant d'utiliser la fonction Soufflage.



Portez systématiquement des lunettes de protection pour utiliser la fonction Soufflage.



Risque de projection d'objets. Éloignez les personnes à proximité de la zone d'intervention.



Votre aspirateur dispose d'une fonction Soufflage.

Elle peut servir pour souffler les poussières et les débris hors des garages, des patios ou des allées.

1. Éteignez (1) la machine et débranchez la prise électrique du secteur.
2. Déverrouillez les attaches (6) et retirez la section haute (10).
3. Avant le soufflage, retirez le sac à poussière (16), le filtre (17 ou 18) et retirez tous les débris du réservoir (9).
4. Réinstallez la section haute (10) et verrouillez les attaches (6).
5. Insérez une extrémité du tuyau (11) dans la prise Soufflage (4) à l'arrière de la machine. Dépliez complètement le tuyau d'aspiration (11).
6. Branchez la prise électrique.
7. Enfoncez l'interrupteur (1) sur la position "Marche/1" pour allumer l'aspirateur.
8. La machine est alors prête à souffler la poussière ou les débris.
9. Enfoncez l'interrupteur (1) sur la position "Arrêt/0" pour éteindre l'aspirateur.

Après l'utilisation (Fig. A)

1. Éteignez (1) la machine et débranchez la prise électrique du secteur.
2. Retirez la section haute (10) et videz le réservoir (9).

- Nettoyez la machine à l'aide d'un chiffon doux.
- Rangez le câble électrique et les accessoires de la machine. Rangez l'appareil dans un endroit sec.

5. ENTRETIEN



Débranchez toujours la machine du secteur avant d'effectuer toute opération de maintenance.

Nettoyez le corps de la machine régulièrement au moyen d'un chiffon doux, de préférence après chaque utilisation. Vérifiez que les ouvertures d'aération ne sont pas obstruées ni sales. Utilisez un chiffon doux légèrement humidifié avec de la mousse de savon pour nettoyer les taches persistantes. N'utilisez pas de produits de nettoyage tels que l'essence, l'alcool, l'ammoniac, etc.; ces produits peuvent endommager les parties synthétiques.

Filtres (Fig. A)



Pour que les performances restent optimales, il est recommandé de remplacer les filtres (17,18) régulièrement, en fonction du degré d'utilisation.

- Retirez soigneusement le filtre HEPA (17) ou en mousse (18).
- Utilisez une solution à base d'eau et de savon doux pour laver le filtre avant de le rincer à l'eau claire.
- Laissez complètement sécher le filtre avant de le réinstaller et de le réutiliser.
- Réinstallez le filtre.

Flotteur et cage du filtre (Fig. G)

Nettoyez régulièrement le flotteur (20) et la cage du filtre (21) avec un chiffon doux, et contrôlez qu'ils sont en bon état. Le bon fonctionnement pourrait sinon être altéré.

ENVIRONNEMENT



Les équipements électroniques ou électriques défectueux ou destinés à être mis au rebut doivent être déposés aux points de recyclage appropriés.

Uniquement pour les pays de l'UE

Ne jetez pas les outils électriques avec les déchets domestiques. Selon la Directive européenne 2012/19/ CE relative aux déchets d'équipements électriques et électroniques et sa mise en oeuvre dans le droit national, les outils électriques hors d'usage doivent être collectés séparément et mis au rebut de manière écologique.

GARANTIE

Les produits VONROC sont développés aux plus hauts standards de qualité et ils sont garantis contre les défauts de pièces et de main d'oeuvre pendant la durée légale stipulée à partir de la date d'achat d'origine du produit. En cas d'une quelconque panne du produit pendant cette durée qui serait due à un défaut matériel et/ou de main d'oeuvre, contactez directement VONROC.

Les circonstances suivantes ne sont pas prises en charge par la garantie:

- Des réparations ou altérations ont été effectuées ou tentées sur la machine par un centre de réparation non agréé.
- L'usure normale.
- L'outil a été maltraité, mal utilisé ou mal entretenu.
- Des pièces détachées non d'origine ont été utilisées.

Ceci constitue l'unique garantie accordée par la société explicitement ou implicitement. Il n'existe aucune autre garantie, explicite ou implicite, qui peut s'étendre au delà du contenu ici présent, y compris les garanties marchandes ou d'adaptation à des fins particulières. En aucun cas VONROC ne sera tenu responsable de dommages accidentels ou consécutifs. Les solutions proposées par les revendeurs devront se limiter à la réparation ou le remplacement des éléments ou pièces non conformes.

Le produit et le manuel d'utilisation sont sujets à modifications. Les spécifications peuvent changer sans préavis.

1. INSTRUCCIONES DE SEGURIDAD

Lea las advertencias de seguridad, las advertencias de seguridad adicionales y las instrucciones adjuntas. De no respetarse las advertencias de seguridad y las instrucciones, podrían producirse descargas eléctricas, incendios y/o lesiones graves. Conserve las advertencias de seguridad y las instrucciones para su posterior consulta.

Los siguientes símbolos se utilizan en el manual de usuario o en el producto:



Lee el manual del usuario.



Denota riesgo de lesiones personales, pérdida de vida o daños a la herramienta en caso de incumplimiento de las instrucciones del presente manual.



Riesgo de choque eléctrico.



Saque inmediatamente el enchufe de alimentación de red si el cable de red está dañado y cuando realice operaciones de limpieza y mantenimiento.



Máquina de clase II - Doble aislamiento - No necesita enchufe con puesta a tierra.



Si la temperatura del material supera los 40 °C, se producirá un riesgo de incendio.



No tire el producto en contenedores no apropiados.



El producto es conforme con las normas de seguridad vigentes en las Directivas Europeas.

NOTAS RELATIVAS A LA SEGURIDAD

ESTE APARATO PUEDE SER UTILIZADO POR NIÑOS A PARTIR DE 8 AÑOS DE EDAD Y POR PERSONAS CON CAPACIDADES FÍSICAS, SENSORIALES O MENTALES REDUCIDAS O QUE CAREZCAN DE EXPERIENCIA Y CONOCIMIENTOS, SI ESTÁN SUPERVISADAS O CAPACIDADES SOBRE EL USO DEL APARATO DE MODO SEGURO Y SI COMPRENDEN LOS PELIGROS QUE SUPONE. LOS NIÑOS NO DEBEN JUGAR

CON EL APARATO. LA LIMPIEZA Y EL MANTENIMIENTO DE USUARIO NO DEBEN SER EFECTUADOS POR NIÑOS, SIN SUPERVISIÓN. SI EL CABLE DE ALIMENTACIÓN SE DAÑA, DEBE SER SUSTITUIDO POR EL FABRICANTE, UN TALLER DE REPARACIÓN AUTORIZADO U OTRAS PERSONAS CON UNA CUALIFICACIÓN SIMILAR, CON EL FIN DE EVITAR PELIGROS. ANTES DE LIMPIAR O REALIZAR TRABAJOS DE MANTENIMIENTO EN EL APARATO, SE DEBE SACAR EL ENCHUFE DE LA TOMA DE CORRIENTE.

- 1) Mantenga limpia el área de trabajo: las áreas y los bancos de trabajo desordenados pueden dar lugar a lesiones.
- 2) La aspiradora debe haberse montado correctamente antes de usarla.
- 3) Utilice únicamente cables alargadores aprobados para uso en exterior (cuando la aspiradora se utilice en el exterior) y asegúrese de que siempre se encuentren en buen estado.
- 4) Proteja los cables eléctricos y, en particular, asegúrese de que no se aplasten ni estiren, ni sufran daños por bordes o piezas afiladas o móviles, o por líquidos corrosivos.
- 5) No utilice cables alargadores dañados. No haga reparaciones permanentes ni temporales en los cables usted mismo.
- 6) No utilice una aspiradora que tenga el cable eléctrico dañado. Acuda a un taller autorizado para que se instale un nuevo cable.
- 7) No conecte ningún otro elemento a la toma de corriente, los cables eléctricos o el cable alargador.
- 8) Antes de enchufar la aspiradora a la toma de corriente, asegúrese de que la tensión y la potencia necesarias coincidan con las indicaciones que aparecen en la etiqueta que se encuentra junto al cable.
- 9) No tire del dispositivo por el cable.
- 10) La máquina siempre debe estar desconectada antes de desenchufarla de la toma eléctrica o del cable alargador.
- 11) Antes de dejar el dispositivo sin supervisión (aunque sea por muy poco tiempo), apáguelo y desenchúfelo de la toma de corriente. También debe hacer esto si se produce un corte eléctrico.
- 12) No subestime su potencia. Mantenga siempre una posición equilibrada y estable.
- 13) Mantenga a los niños y las mascotas alejados de la máquina. Cuando la máquina esté en marcha,

- todos deben mantenerse a una distancia segura.
- 14) El dispositivo no debe ser utilizado por niños ni personas que no estén familiarizadas con él o que no hayan leído este manual de instrucciones.
 - 15) El usuario del dispositivo es responsable de la seguridad de otras personas mientras lo esté utilizando.
 - 16) La aspiradora se debe utilizar exclusivamente con los fines previstos.
 - 17) Antes de realizar cualquier trabajo de mantenimiento, ajuste o limpieza en la aspiradora, apáguela, desenchúfela de la toma de corriente y espere a que el motor se detenga.
 - 18) Tenga mucho cuidado al comprobar o realizar trabajos de limpieza o mantenimiento en el dispositivo, y use guantes de trabajo gruesos para protegerse las manos.
 - 19) Los dispositivos de seguridad y los cables eléctricos no se deben modificar ni retirar de la máquina.
 - 20) Cuando utilice la máquina, debe sostenerla sobre una superficie estable o con el cuerpo.
 - 21) Trabaje únicamente a la luz del día o con luz artificial adecuada.
 - 22) Recomendamos que se utilice algún tipo de protección auditiva.
 - 23) Si la máquina produce vibraciones anómalas, detenga el motor e investigue la causa inmediatamente. Por lo general, las vibraciones indican que hay un problema.
 - 24) La aspiradora debe comprobarse correctamente antes de cada uso. No utilice una máquina que no se encuentre en perfecto estado. Si observa algún problema que pudiera generar peligro para el usuario, lleve la máquina a reparar antes de usarla.
 - 25) Por motivos de seguridad, cambie las piezas desgastadas o dañadas. Utilice exclusivamente piezas de repuesto aprobadas por el fabricante. Las piezas no procedentes del fabricante podrían no ajustarse correctamente o podrían resultar peligrosas o provocar lesiones. Únicamente los servicios técnicos especializados en atención al cliente deben cambiar el cable de alimentación.
 - 26) Utilice la aspiradora únicamente en zonas secas y que estén resguardadas de las inclemencias meteorológicas. Si llueve, no debe utilizarla en el exterior.
 - 27) Guarde la aspiradora en un lugar seco, fuera del alcance de los niños.
 - 28) No deje el cable de alimentación tirado una vez haya terminado de limpiar, ya que alguien podría tropezar con él.
 - 29) Tenga cuidado al vaciar depósitos muy pesados.
 - 30) Para evitar la combustión espontánea, vacíe el depósito después de cada uso.
 - 31) No utilice esta máquina para aspirar líquidos inflamables o combustibles, como gasolina, polvo de fotocopiadora o sustancias volátiles; y no utilice la máquina en lugares donde se encuentren esos líquidos. No aspire ácidos.
 - 32) No aspire materiales que sean tóxicos, cancerígenos, combustibles o peligrosos de cualquier otra manera; por ejemplo, amianto, polvo de amianto, arsénico, bario, berilio, plomo, pesticidas u otras sustancias peligrosas para la salud.
 - 33) Actúe con precaución extrema al aspirar cenizas de madera o carbón, hollín, cemento, yeso o polvo de escayola. Esas partículas son muy finas y pueden atravesar los filtros y afectar al funcionamiento del motor o salir al aire. En caso de que fuera necesario aspirar estos tipos de material, recomendamos encarecidamente que se utilice un filtro de tela con una bolsa para recoger polvo.
 - 34) No aspire nada que esté ardiendo o tenga brasas, como cigarrillos, colillas, cerillas o cenizas calientes.
 - 35) No debe aspirar agua salada, porque podría destruir el motor.

ADVERTENCIAS DE SEGURIDAD ESPECÍFICAS PARA EL SOPLADO

- a) Oriente la descarga de aire únicamente a la zona de trabajo, nunca a personas ni animales.
- b) Riesgo de proyección de objetos. Mantenga a las personas ajenas a la máquina alejadas de la zona de trabajo.
- c) Utilice siempre gafas de seguridad antes de utilizar la función de soplado.

Seguridad eléctrica

Cuando use máquinas eléctricas observe siempre las normas de seguridad aplicables en su país para reducir el riesgo de incendios, descargas eléctricas y lesiones personales. Lea las siguientes instrucciones de seguridad y las instrucciones de seguridad adjuntas.



Compruebe siempre que la tensión de la fuente de energía corresponda con la tensión de la etiqueta de la placa de datos.



Máquina de clase II - Doble aislamiento - No necesita enchufe con puesta a tierra.

Si no se puede evitar el uso de la herramienta eléctrica en un lugar húmedo, use suministro protegido mediante dispositivo diferencial residual (DDR). El uso de un DDR reduce el riesgo de choque eléctrico.

2. INFORMACIÓN DE LA MÁQUINA

Uso previsto

La aspiradora debe utilizarse para aspirar en mojado y en seco en ambientes domésticos, por ejemplo, en una vivienda, un despacho, un vehículo o un garaje. La aspiradora está equipada con una función de soplado. Se puede utilizar para soplar el polvo y los residuos para sacarlos de garajes, patios o caminos de acceso.

El dispositivo no ha sido diseñado para uso comercial o industrial.

ESPECIFICACIONES TÉCNICAS

Modelo n.º	VC502AC
Alimentación de red	220-240 V~
Frecuencia de alimentación	50-60 Hz
Potencia de entrada	1000W
Longitud del cable	5m
Categoría de protección	IPX4
Fuerza de aspiración	16 kPa, 1,5 m3/min
Capacidad aproximada del contenedor	12 L
Volumen útil aproximado	5 L
Filtro - seco	Filtro HEPA
Filtro - mojado	Filtro de espuma
Sistema de mangueras	Ø32 mm
Diámetro del puerto de entrada (19 fig. D)	Ø44 mm
Bolsa de polvo recomendada	VC802AA
Peso (incl. todos los accesorios) aprox.	3,6 kg

DESCRIPCIÓN

Los números del texto se refieren a los diagramas en la página 2-4.

1. Interruptor de Encendido/Apagado
2. Asa de transporte
3. Puerto de aspiración
4. Puerto de soplado
5. Ruedas giratorias
6. Abrazadera de bloqueo
7. Almacenamiento del cable de alimentación
8. Almacenamiento de tubos y boquillas
9. Contenedor
10. Parte superior
11. Manguera
12. Asa
13. Tubos de aspiración
14. Boquilla para el suelo
15. Boquilla 2 en 1
16. Bolsa para recoger polvo
17. Filtro HEPA
18. Filtro de espuma
19. Puerto de entrada
20. Flotador
21. Carcasa del filtro

3. MONTAJE



Antes del montaje, apague siempre la máquina y extraiga el enchufe de la red de alimentación.

1. Presione las 4 ruedas giratorias (5) sobre el contenedor (9) y apriete los tornillos como se indica en la fig. B. Asegúrese de que las ruedas giratorias (5) queden bien sujetas.
2. Instale el puerto de aspiración (3) en el contenedor (9) y apriete los tornillos como se indica en la fig. B.
3. Instale el filtro. Asegúrese de instalar el filtro correcto, según la aplicación:
 - Para aspirar en seco, deslice el Filtro HEPA (17) con cuidado sobre la carcasa del filtro (21), asegurándose de que toda la carcasa (21) quede cubierta, tal como se indica en la fig. C-1.
 - Para aspirar en mojado, deslice el filtro de espuma (18) con cuidado sobre la carcasa del filtro (21), asegurándose de que toda la carcasa (21) quede cubierta, tal como se indica en la fig. C-2.

- Coloque la parte superior (10) en el contenedor (9), como se indica en la fig. E.
- Conecte la manguera de aspiración (11).
 - Para aspirar (fig. F-1), conecte la manguera de aspiración (11) al puerto de aspiración (3).
 - Para soplar (fig. F-2), conecte la manguera de aspiración (11) al puerto de soplado (4).
- En el asa (12) se pueden instalar uno o varios tubos de aspiración (13), para alargarlos (fig. A).
- Conecte la boquilla correspondiente al asa o a los tubos de aspiración (13).

Boquilla para el suelo (14)

La boquilla para el suelo se ha diseñado para aspirar en mojado y en seco en ambientes domésticos, por ejemplo, en una vivienda, un despacho o un garaje.

Boquilla 2 en 1 (15)

La boquilla para ranuras se ha diseñado para aspirar en mojado y en seco en ambientes domésticos, para bordes y otras zonas de difícil acceso. El cepillo se ha diseñado para aspirar material sólido en zonas pequeñas.

4. FUNCIONAMIENTO







Si la aspiradora se vuelva accidentalmente, el mecanismo flotador de desconexión (20) podría tapar el puerto de aspiración del motor y detener la aspiración. Si esto sucediera, solo tiene que colocar la aspiradora en posición vertical y apagarla hasta que el flotador (20) vuelva a su posición normal.

Encendido (fig. A):



¡No aspire sin filtro!

- Desenrolle por completo la manguera de aspiración (11).
 - Introduzca el enchufe en la toma de corriente.
 - Ponga el interruptor de encendido (1) en la posición «ON/1» para poner en marcha la aspiradora.
- Apagado (fig. A):**
Ponga el interruptor de encendido (1) en la posición «OFF/0» para desconectar la aspiradora.
- Aspiración en seco (fig. A, C - F)**
-  *Limpie el filtro HEPA (17) periódicamente para conservar la potencia de aspiración.*
-  *Para evitar que el Filtro HEPA (17) se obstruya, recomendamos que se use también una bolsa para recoger polvo (16).*
-  *Las partículas finas de polvo, como el polvo de cemento, hollín y yeso, son demasiado finas para utilizar solamente el Filtro HEPA (17) y podrían introducirse en el motor y dañarlo. Por lo tanto, recomendamos encarecidamente que se utilice una bolsa para recoger polvo (16) cuando se limpien esos materiales.*
-  *Una bolsa para recoger polvo (16) que se haya obstruido puede explotar; por lo tanto, asegúrese de cambiar la bolsa para recoger polvo en el debido momento.*
- Apague (1) la máquina y extraiga el enchufe de la red de alimentación.
 - Abra la abrazadera de bloqueo (6) y quite la parte superior (10).
 - Antes de aspirar, retire toda la suciedad y los restos del contenedor (9).
 - Con cuidado, baje el Filtro HEPA (17) sobre la carcasa del filtro (21), asegurándose de que toda la carcasa (21) quede cubierta, tal como se indica en la fig. C-1.
 - Para aspirar con la bolsa para recoger polvo (16):
 - Sujete bien el collarín de cartón y deslice el elemento protector de goma todo lo que pueda hacia el puerto de entrada (19), como se indica en la fig. D.
 - Una vez instalado todo, despliegue la bolsa (16) y colóquela alrededor de las paredes internas del contenedor (9).
 - Vuelva a instalar la parte superior (10) y cierre la abrazadera de bloqueo (6).
 - Inserte un extremo de la manguera (11) en el puerto de aspiración (3). Desenrolle por completo la manguera de aspiración (11).
 - Introduzca el enchufe en la toma de corriente.

9. Ponga el interruptor de encendido (1) en la posición «ON/1» para poner en marcha la aspiradora.
10. La máquina estará lista para aspirar en seco.
11. Ponga el interruptor de encendido (1) en la posición «OFF/0» para desconectar la aspiradora.

Aspiración en mojado (fig. A, C, E - G)



La aspiradora está equipada con un flotador(20). La potencia de aspiración se reduce cuando se alcanza el nivel máximo de llenado. Apague (1) la aspiradora de inmediato. Saque el enchufe de la toma de corriente y vacíe el contenedor (9).



Limpie el flotador (20) periódicamente y compruebe si presenta daños. De lo contrario, podría dejar de funcionar.



No meta nunca la mano en el agua que se vaya a aspirar. Peligro de descarga eléctrica.



Apague (1) de inmediato la máquina si se forma espuma o hay fugas de líquido.



¡No utilice una bolsa para recoger polvo (16)!

1. Apague (1) la máquina y extraiga el enchufe de la red de alimentación.
2. Abra la abrazadera de bloqueo (6) y quite la parte superior (10).
3. Antes de aspirar en mojado, quite la bolsa para recoger polvo (16) y el filtro de tela (17), y retire toda la suciedad y los restos del contenedor (9).
4. Con cuidado, baje el filtro de espuma (18) sobre la carcasa del filtro (21), asegurándose de que toda la carcasa (21) quede cubierta, tal como se indica en la fig. C-2.
5. Vuelva a instalar la parte superior (10) y cierre la abrazadera de bloqueo (6).
6. Inserte un extremo de la manguera (11) en el puerto de aspiración (3). Desenrolle por completo la manguera de aspiración (11).
7. Introduzca el enchufe en la toma de corriente.
8. Ponga el interruptor de encendido (1) en la posición «ON/1» para poner en marcha la aspiradora.
9. La máquina estará lista para aspirar en mojado.
10. Ponga el interruptor de encendido (1) en la po-

- sición «OFF/0» para desconectar la aspiradora.
11. Levante la manguera (11) para que los líquidos se vacíen en el contenedor (9).
12. Vacíe el contenedor (9) inmediatamente después de aspirar, ya que no se ha diseñado para almacenar líquidos.

Función de soplado (fig. A, E - F)



No se recomienda utilizar el aparato sin filtro.



Antes de utilizar la función de soplado, retire toda la suciedad y los restos del contenedor (9).



Utilice siempre gafas de seguridad antes de utilizar la función de soplado. Peligro de proyección de objetos.



Mantenga a las personas ajenas a la máquina alejadas de la zona de trabajo.

La aspiradora está equipada con una función de soplado. Se puede utilizar para soplar el polvo y los residuos para sacarlos de garajes, patios o caminos de acceso.

1. Apague (1) la máquina y extraiga el enchufe de la red de alimentación.
2. Abra la abrazadera de bloqueo (6) y quite la parte superior (10).
3. Antes de soplar, quite la bolsa para recoger polvo (16) y el filtro (17, 18), y retire toda la suciedad y los restos del contenedor (9).
4. Vuelva a instalar la parte superior (10) y cierre la abrazadera de bloqueo (6).
5. Inserte un extremo de la manguera (11) en el puerto de soplado (4), en la parte de atrás de la máquina. Desenrolle por completo la manguera de aspiración (11).
6. Introduzca el enchufe en la toma de corriente.
7. Ponga el interruptor de encendido (1) en la posición «ON/1» para poner en marcha la aspiradora.
8. La máquina estará lista para soplar polvo y restos.
9. Ponga el interruptor de encendido (1) en la posición «OFF/0» para desconectar la aspiradora.

Fin del uso (fig. A)

1. Apague (1) la máquina y saque el enchufe de la red de alimentación.
2. Quite la parte superior (10) y vacíe el contenedor (9).
3. Limpie la máquina con un paño suave.
4. Guarde el cable de alimentación y los accesorios en la máquina. Guarde el aparato en una habitación seca.

5. MANTENIMIENTO

Antes de realizar la limpieza y el mantenimiento, apague siempre la máquina y extraiga el enchufe de la red de alimentación.

Limpie regularmente la carcasa de la máquina con un paño suave, preferentemente después de cada uso. Compruebe que los orificios de ventilación estén libres de polvo y suciedad. Elimine el polvo persistente utilizando un paño suave humedecido con agua y jabón. No use disolventes tales como gasolina, alcohol, amoníaco, etc. Tales productos químicos pueden dañar los componentes sintéticos.

Filtros (fig. A)

Para conseguir el máximo rendimiento, se recomienda cambiar los filtros (17, 18) periódicamente, según la intensidad de uso.

1. Con cuidado, extraiga el Filtro HEPA (17) o de espuma (18).
2. Utilice una solución de jabón suave y agua para limpiar el filtro y, a continuación, enjuáguelo con agua limpia.
3. Deje que el filtro se seque al aire antes de volver a instalarlo y usarlo.
4. Vuelva a instalar el filtro.

Flotador y carcasa del filtro (fig. G)

Limpie periódicamente el flotador (20) y la carcasa del filtro (21) con un paño suave, y compruebe si presentan daños. De lo contrario, podría dejar de funcionar.

MEDIOAMBIENTE

Los aparatos eléctricos o electrónicos defectuosos y/o desechados deben recogerse en lugares de reciclado apropiado.

Solo para países de la Comunidad Europea

No elimine las herramientas eléctricas como residuos domésticos. De acuerdo con la Directiva europea 2012/19/CE sobre residuos de aparatos eléctricos y electrónicos, y su transposición a las legislaciones nacionales, las herramientas eléctricas que ya no se utilizan deben recogerse por separado y eliminarse en modo ecológico.

CONDICIONES DE GARANTÍA

Los productos VONROC han sido desarrollados con los más altos estándares de calidad y VONROC garantiza que están exentos de defectos relacionados con los materiales y la fabricación durante el periodo legalmente estipulado, a contar desde la fecha de compra original. En caso de que el producto presente defectos relacionados con los materiales y/o la fabricación durante este periodo, póngase directamente en contacto VONROC.

La presente garantía se excluye en los siguientes casos:

- Si centros de servicios no autorizados han realizado o han intentado realizar reparaciones y/o alteraciones a la máquina.
- Si se ha producido un desgaste normal.
- Si la herramienta ha sido mal tratada o usada en modo impropio, o se ha realizado incorrectamente su mantenimiento.
- Si se han utilizado piezas de repuesto no originales.

La presente constituye la única garantía implícita y explícita que ofrece la compañía. No existen otras garantías explícitas o implícitas que excedan las citadas aquí, incluidas las garantías implícitas de comerciabilidad e idoneidad para una finalidad en especial. VONROC no será considerada responsable en ningún caso por daños incidentales o consecuentes. Los recursos a disposición de los distribuidores se limitan a la reparación o a la sustitución de las unidades o piezas no conformes.

El producto y el manual de usuario están sujetos a variaciones. Las especificaciones pueden variar sin previo aviso.

1. INSTRUÇÕES DE SEGURANÇA

Leia os avisos de segurança fornecidos, os avisos de segurança adicionais e as instruções. O não cumprimento dos avisos de segurança e das instruções pode resultar em choque eléctrico, incêndio e/ou ferimentos graves. Guarde os avisos de segurança e as instruções para referência futura.

Os seguintes símbolos são utilizados no manual do utilizador ou no produto:



Leia o manual do utilizador.



Indica o risco de ferimentos, morte ou danos na ferramenta se as instruções indicadas neste manual não forem seguidas.



Risco de choque eléctrico.



Retire de imediato a ficha da rede eléctrica se o cabo de alimentação sofrer danos e durante a limpeza e manutenção.



Máquina de classe II - Isolamento duplo - Não é necessário uma ficha com ligação à terra.



Se a temperatura do material for superior a 40 °C, há o risco de incêndio.



Não elimine o produto em recipientes não adequados.



O produto está em conformidade com as normas de segurança aplicáveis nas directivas europeias.

AVISOS DE SEGURANÇA

ESTE EQUIPAMENTO PODE SER UTILIZADO POR CRIANÇAS A PARTIR DOS 8 ANOS E POR PESSOAS COM CAPACIDADES FÍSICAS, SENSORIAIS OU MENTAIS REDUZIDAS OU COM FALTA DE EXPERIÊNCIA E CONHECIMENTOS QUE TENHAM RECEBIDO INSTRUÇÕES OU SUPERVISÃO SOBRE A UTILIZAÇÃO SEGURA DO EQUIPAMENTO E COMPREENDAM OS RISCOS ENVOLVIDOS. AS CRIANÇAS DEVEM SER VIGIADAS PARA QUE NÃO BRINQUEM COM O EQUI-

PAMENTO. A LIMPEZA E A MANUTENÇÃO POR PARTE DO UTILIZADOR NÃO DEVEM SER EFECTUADAS POR CRIANÇAS SEM SUPERVISÃO. SE O CABO DE ALIMENTAÇÃO ESTIVER DANIFICADO, DEVE SER SUBSTITUÍDO PELO FABRICANTE, O RESPECTIVO TÉCNICO DE ASSISTÊNCIA OU PESSOAS DEVIDAMENTE QUALIFICADAS PARA EVITAR UMA SITUAÇÃO DE PERIGO. A FICHA DEVE SER REMOVIDA DA TOMADA ANTES DE PROCEDER À LIMPEZA OU MANUTENÇÃO DO EQUIPAMENTO.

- 1) Mantenha a área de trabalho limpa: As áreas de trabalho ou bancadas de trabalho obstruídas podem causar ferimentos.
- 2) O aspirador deve ser montado correctamente antes de ser utilizado.
- 3) Utilize apenas extensões aprovadas para utilização no exterior (caso utilize o aspirador no exterior) e verifique sempre se estão em boas condições.
- 4) Proteja os cabos eléctricos e, em especial, verifique se não estão pisados, puxados ou danificados nas arestas, se existem partes afiadas ou móveis; ou danificadas por líquidos corrosivos.
- 5) Não utilize extensões danificadas. Não faça reparações permanentes ou temporárias no cabo.
- 6) Não utilize um aspirador com um cabo eléctrico danificado. Peça a um centro de assistência autorizado para instalar um novo cabo.
- 7) Não insira outros objectos na tomada, quer sejam cabos eléctricos ou extensões.
- 8) Antes de ligar o aspirador na tomada eléctrica, certifique-se de que a tensão e os requisitos de potência correspondem aos indicados na etiqueta junto do cabo.
- 9) Não puxe o dispositivo pelo cabo.
- 10) A sua máquina deve ser sempre desligada antes de retirar a ficha da tomada ou da extensão.
- 11) Antes de deixar o dispositivo sem supervisão (mesmo que seja durante um período reduzido), desligue-o e retire a ficha da tomada eléctrica. Isto deve ser efectuado se houver perda de potência.
- 12) Não subestime a potência do equipamento. Mantenha sempre uma postura equilibrada e estável.

- 13) Mantenha as crianças e animais de estimação afastados da máquina. Quando a máquina estiver em funcionamento, todas as pessoas devem manter-se a uma distância segura.
- 14) O dispositivo não deve ser utilizado por crianças ou pessoas que não estejam familiarizadas com o dispositivo ou que não tenham lido o manual de instruções.
- 15) O utilizador do dispositivo é responsável pela segurança de terceiros quando estiver a utilizá-lo.
- 16) O aspirador só deve ser utilizado para as finalidades previstas.
- 17) Antes de efectuar qualquer procedimento de manutenção, ajuste ou limpeza no aspirador, desligue-o, retire a ficha da tomada eléctrica e aguarde até o motor parar.
- 18) Tenha muito cuidado quando verificar, limpar ou efectuar tarefas de manutenção no dispositivo e use luvas de trabalho para proteger as mãos.
- 19) Os dispositivos de segurança ou cabos eléctricos não devem ser modificados ou retirados da máquina.
- 20) Quando utilizar a máquina, esta deve ser mantida num local estável e numa superfície estável ou suportada pelo corpo.
- 21) Trabalhe apenas com luz natural ou luz artificial adequada.
- 22) Recomendamos a utilização de protecção auricular.
- 23) Se a máquina vibrar de maneira anormal, pare o motor e procure a causa de imediato. Normalmente, as vibrações significam problemas.
- 24) O aspirador deve ser devidamente inspeccionado antes de ser utilizado. Não utilize a máquina se não estiver em condições perfeitas. Se reparar na existência de algum problema que represente uma situação de perigo para o utilizador, peça a um técnico para reparar a máquina antes de utilizá-la.
- 25) Por motivos de segurança, substitua as peças gastas ou danificadas. Utilize apenas peças sobresselentes aprovadas pelo fabricante. As peças de fontes que não sejam do fabricante podem não encaixar correctamente ou podem ser perigosas ou causar ferimentos. O cabo de alimentação só pode ser substituído por centros de apoio ao cliente especializados.
- 26) Utilize apenas o aspirador em áreas secas e protegidas de intempéries. Não o utilize no exterior quando estiver a chover.
- 27) Armazene o aspirador num local seco, fora do alcance das crianças.
- 28) Depois de efectuar a limpeza, não deixe o cabo de alimentação espalhado pelo chão, porque alguém pode tropeçar.
- 29) Tenha quando esvaziar depósitos muito pesados.
- 30) Para evitar combustão espontânea, esvazie o depósito após cada utilização.
- 31) Não utilize esta máquina para aspirar líquidos inflamáveis ou combustíveis, como gasolina, pó de fotocopiadoras ou substâncias voláteis. Além disso, não utilize a máquina em locais onde haja a presença destes líquidos. Não aspire ácidos.
- 32) Não aspire materiais que sejam tóxicos, cancerígenos, combustíveis ou outros materiais perigosos, como amianto, pó de amianto, arsénico, bário, berílio, chumbo, pesticidas ou outras substâncias perigosas para a sua saúde.
- 33) Deve ter muito cuidado quando aspirar serradura ou cinzas de carvão, fuligem, cimento, gesso ou pó de estuque. Estas partículas são muito finas e podem passar pelos filtros, afectando o desempenho do motor ou ser sopradas para o ambiente. Se necessário, recomendamos vivamente que utilize um filtro de pano em conjunto com um saco de recolha de poeira para limpar estes tipos de materiais.
- 34) Não aspire produtos combustíveis ou de combustão lenta, como cigarros, beatas, fósforos ou cinzas quentes.
- 35) Nunca aspire água salgada, porque pode destruir o motor.

AVISOS DE SEGURANÇA ESPECÍFICOS DURANTE A SOPRAGEM

- a) Só deve apontar a descarga de ar para a área de trabalho. Nunca aponte para pessoas ou animais.
- b) Risco de projecção de objectos. Mantenha os passantes afastados da área de trabalho.
- c) Use sempre óculos de segurança antes de utilizar a função de sopro.

Segurança eléctrica

Quando utilizar máquinas eléctricas, cumpra sempre os regulamentos de segurança aplicáveis ao seu país para reduzir o risco de incêndio, choque eléctrico e ferimentos. Leia as seguintes instruções de segurança, assim como as instruções de segurança fornecidas.



Verifique sempre se a tensão da fonte de alimentação corresponde à tensão indicada na etiqueta da placa sinalética.



Máquina de classe II - Isolamento duplo
- Não é necessário uma ficha com ligação à terra.

Se não for possível evitar trabalhar com uma ferramenta eléctrica num local húmido, utilize uma fonte de alimentação protegida por um dispositivo de corrente residual (DCR). A utilização de um DCR reduz o risco de choque eléctrico.

2. INFORMAÇÕES SOBRE A MÁQUINA

Utilização pretendida

O aspirador é concebido para aspiração doméstica a seco e a húmido, por exemplo, em casa, escritório, automóvel ou garagem. O aspirador está equipado com uma função de sopro. Pode ser utilizado para remover pó e resíduos de garagens, pátios e entradas.

O dispositivo não é adequado a uso comercial ou industrial.

ESPECIFICAÇÕES TÉCNICAS

Modelo n.º	VC502AC
Tensão do sector	220 - 240 V ~
Frequência da rede	50 - 60 Hz
Alimentação	1000 W
Comprimento do cabo	5 m
Categoria de protecção	IPX4
Força de aspiração	16 kPa, 1,5 m ³ /min
Capacidade aprox. do recipiente	12 l
Volume útil aprox.	5 l
Filtro - seco	Filtro HEPA
Filtro - húmido	Filtro de espuma
Sistema de tubagens	Ø 32 mm
Diâmetro do colector de admissão (19 Fig. D)	Ø 44mm
Saco de poeira recomendado	VC802AA
Peso (incl. todos os acessórios) aprox.	3,6 kg

DESCRIÇÃO

Os números indicados no texto dizem respeito aos diagramas nas páginas 2-4.

1. Interruptor para ligar/desligar
2. Pega de transporte
3. Entrada do aspirador
4. Entrada de sopro
5. Rodas
6. Grampo de fixação
7. Compartimento do cabo de alimentação
8. Compartimento de tubos e bicos
9. Recipiente
10. Secção superior
11. Tubo
12. Pega
13. Tubos de aspiração
14. Bico para limpeza do chão
15. Bico 2 em 1
16. Saco de recolha de poeira
17. Filtro HEPA
18. Filtro de espuma
19. Orifício de entrada
20. Bóia
21. Caixa do filtro

3. MONTAGEM



Antes de efectuar a montagem, desligue sempre a máquina e retire a ficha da tomada de corrente.

1. Carregue nas 4 rodas articuladas (5) no recipiente (9) e aperte os parafusos, como indicado na Fig. B. As rodas articuladas (5) devem estar bem apertadas.
2. Monte a entrada de aspiração (3) no recipiente (9) e aperte os parafusos, como indicado na Fig. B.
3. Monte o filtro. Deve montar o filtro correcto, consoante a aplicação:
 - Para aspiração a seco, encaixe com cuidado o filtro HEPA (17) na caixa do filtro (21), certificando-se de que toda a caixa (21) fica tapada, como indicado na Fig. C-1.
 - Para aspiração a húmido, encaixe com cuidado o filtro de espuma (18) na caixa do filtro (21), certificando-se de que toda a caixa (21) fica tapada, como indicado na Fig. C-2.

4. Coloque a secção superior (10) no recipiente (9), como indicado na Fig. E.
5. Ligue o tubo de aspiração (11).
 - Para aspirar (Fig. F-1), ligue o tubo de aspiração (11) na entrada de aspiração (3).
 - Para soprar (Fig. F-2), ligue o tubo de aspiração (11) na entrada de sopro (4).
6. Podem ser montados um ou mais tubos de aspiração (13) na pega (12) para esticá-la (Fig. A).
7. Ligue o bico pretendido à pega ou aos tubos de aspiração (13).

Bico para limpeza do chão (14)

O bico para limpeza do chão é concebido para aspiração doméstica a seco e a húmido, por exemplo, em casa, escritório, automóvel ou garagem.

Bico 2 em 1 (15)

O bico com ranhura é concebido para aspiração doméstica a húmido, cantos e outros locais de difícil acesso. A escova é concebida para aspirar objectos sólidos de áreas pequenas.

4. FUNCIONAMENTO



Se o aspirador cair acidentalmente, o mecanismo da bóia de bloqueio (20) pode tapar a entrada de aspiração do motor e parar a sucção. Se isto ocorrer, coloque o aspirador na vertical e desligue-o até a bóia (20) voltar para a posição normal.

Ligar (Fig. A):



Não aspire sem o filtro!

1. Desenrole o tubo de aspiração (11) por completo.
2. Ligue a ficha de alimentação.
3. Coloque o interruptor de alimentação (1) na posição "ON/1" para ligar o aspirador.

Desligar (Fig. A):

Coloque o interruptor de alimentação (1) na posição "OFF/0" para desligar o aspirador.

Aspiração a seco (Fig. A, C - F)



Limpe o filtro HEPA (17) com frequência para manter a potência de aspiração



Para evitar que o filtro HEPA (17) fique obstruído, recomendamos que utilize um saco de recolha de poeira (16) adicional.



O pó de cimento, fuligem e gesso, é demasiado fino. Por conseguinte, não pode utilizar o filtro HEPA (17) porque não tem capacidade para reter este tipo de pó. Há o risco de entrar no motor e danificá-lo. Por conseguinte, recomendamos vivamente a utilização de um saco de recolha de poeira (16) quando limpar este tipo de materiais.



Se estiver obstruído, o saco de recolha de poeira (16) pode rebentar. Por conseguinte, deve substituí-lo assim que possível!

1. Desligue (1) a máquina e retire a ficha de alimentação da rede eléctrica.
2. Desencaixe o grampo de fixação (6) e retire a secção superior (10).
3. Antes de aspirar, retire toda a sujidade e resíduos do recipiente (9).
4. Encaixe com cuidado o filtro HEPA (17) na caixa do filtro (21), certificando-se de que toda a caixa (21) fica tapada, como indicado na Fig. C-1.
5. Para aspirar com o saco de recolha de poeira (16):
 - Segure na fita de cartão com firmeza e insira o elemento de protecção de borracha o máximo possível no orifício de entrada (19), como indicado na Fig. D.
 - Quando tudo estiver no respectivo local, abra o saco (16) e posicione-o à volta das paredes internas do recipiente (9).
6. Volte a montar a parte superior (10) e bloqueie o grampo de fixação (6).
7. Insira uma extremidade no tubo (11) na entrada do aspirador (3). Desenrole o tubo de aspiração (11) por completo.
8. Ligue a ficha de alimentação.
9. Coloque o interruptor de alimentação (1) na posição "ON/1" para ligar o aspirador.
10. A máquina está pronta para ser utilizada para aspiração a seco.
11. Coloque o interruptor de alimentação (1) na posição "OFF/0" para desligar o aspirador.

Aspiração a húmido (Fig. A, C, E - G)

O aspirador está equipado com uma bóia (20). A potência de aspiração diminui quando é atingido o nível máximo de enchimento. Desligue o aspirador (1) de imediato. Retire a ficha da tomada e esvazie o recipiente (9).



Limpe a bóia (20) com frequência e verifique se apresenta danos. Caso contrário, o funcionamento pode ser afectado.



Nunca aspire água. Perigo de choque eléctrico.



Desligue a máquina de imediato (1) se surgir espuma ou fuga de líquidos!



Não utilize o saco de recolha de poeira (16)!

- Desligue (1) a máquina e retire a ficha de alimentação da rede eléctrica.
- Desencaixe o grampo de fixação (6) e retire a secção superior (10).
- Antes de aspirar a húmido, retire o saco de recolha de poeira (16), o filtro HEPA (17) e retire toda a sujidade e resíduos do recipiente (9).
- Encaixe com cuidado o filtro de espuma (18) na caixa do filtro (21), certificando-se de que toda a caixa (21) fica coberta, como indicado na Fig. C-2.
- Volte a montar a parte superior (10) e bloqueie o grampo de fixação (6).
- Insira uma extremidade no tubo (11) na entrada do aspirador (3). Desenrole o tubo de aspiração (11) por completo.
- Ligue a ficha de alimentação.
- Coloque o interruptor de alimentação (1) na posição "ON/1" para ligar o aspirador.
- A máquina está pronta para ser utilizada para aspiração a húmido.
- Coloque o interruptor de alimentação (1) na posição "OFF/0" para desligar o aspirador.
- Levante o tubo (11) para que o líquido seja drenado para o recipiente (9).
- Esvazie o recipiente (9) de imediato após a aspiração, porque não foi concebido para armazenar líquidos.

Função de sopro (Fig. A, E - F)

É recomendável utilizar esta função sem um filtro.



Retire toda a sujidade e resíduos do recipiente (9) antes de utilizar a função de sopro.



Use sempre óculos de segurança antes de utilizar a função de sopro.



Risco de projecção de objectos. Mantenha os passantes afastados da área de trabalho.

O aspirador está equipado com uma função de sopro. Pode ser utilizado para remover pó e resíduos de garagens, pátios e entradas.

- Desligue (1) a máquina e retire a ficha de alimentação da rede eléctrica.
- Desencaixe o grampo de fixação (6) e retire a secção superior (10).
- Antes de soprar, retire o saco de recolha de poeira (16), o filtro (17, 18) e retire toda a sujidade e resíduos do recipiente (9).
- Volte a montar a parte superior (10) e bloqueie o grampo de fixação (6).
- Insira uma extremidade no tubo (11) na entrada de sopro (4) na parte de trás da máquina. Desenrole o tubo de aspiração (11) por completo.
- Ligue a ficha de alimentação.
- Coloque o interruptor de alimentação (1) na posição "ON/1" para ligar o aspirador.
- A máquina está pronta para soprar pó e resíduos.
- Coloque o interruptor de alimentação (1) na posição "OFF/0" para desligar o aspirador.

Terminar a operação (Fig. A)

- Desligue (1) a máquina e retire a ficha de alimentação.
- Retire a parte superior (10) e esvazie o recipiente (9).
- Limpe a máquina com um pano macio.
- Arrume o cabo de alimentação e o acessório na máquina. Armazene o equipamento numa sala seca.

5. MANUTENÇÃO



Antes de efectuar a limpeza e a manutenção, desligue sempre a máquina e retire a ficha de alimentação da rede eléctrica.

Limpe a carcaça da máquina com regularidade com um pano macio, de preferência após cada utilização. Certifique-se de que as aberturas de ventilação não têm pó ou sujidade. Retire a sujidade muito persistente com um pano macio humedecido com água de sabão. Não utilize solventes, como gasolina, álcool, amoníaco, etc. Este tipo de produtos químicos danificam os componentes sintéticos.

Filtros (Fig. A)



Para obter o melhor desempenho, é recomendável substituir os filtros (17,18) com frequência, dependendo do nível de utilização.

1. Retire o HEPA (17) ou o filtro de espuma (18) com cuidado.
2. Utilize uma solução de água e sabão suave para limpar o filtro e, em seguida, enxágue com água limpa.
3. Aguarde até o filtro secar antes de instalá-lo e voltar a utilizá-lo.
4. Volte a instalar o filtro.

Bóia e caixa do filtro (Fig. G)

Limpe a bóia (20) e a caixa do filtro (21) frequentemente com um pano macio e verifique se apresenta danos. Caso contrário, o funcionamento pode ser afectado.

AMBIENTE



Os equipamentos eléctricos ou electrónicos defeituosos e/ou eliminados devem ser recolhidos em locais de reciclagem adequados.

Apenas para os países da CE

Não elimine as ferramentas eléctricas em conjunto com os resíduos domésticos. De acordo com a directiva europeia 2012/19/CE sobre resíduos de equipamentos eléctricos e electrónicos e a respectiva implementação na legislação nacional, as ferramentas eléctricas que já não sejam utilizadas devem ser recolhidas em separado e eliminadas de maneira ecológica.

GARANTIA

Os produtos da VONROC são desenvolvidos de acordo com os padrões de qualidade mais elevados e não apresentam quaisquer defeitos em termos de materiais e mão-de-obra em relação ao período estipulado por lei, cujo início é a partir da data de compra original. Se o produto apresentar qualquer falha durante este período devido a qualquer defeito de material e/ou de mão-de-obra, contacte a VONROC directamente.

As seguintes circunstâncias estão excluídas desta garantia:

- Se forem efectuadas ou tentadas quaisquer reparações e/ou alterações na máquina por centros de assistência não autorizados;
- Desgaste normal;
- Se a ferramenta foi utilizada de maneira abusiva, indevida ou a manutenção for efectuada de maneira incorrecta;
- Se forem utilizadas peças sobresselentes não originais.

Isto constitui a única garantia feita pela empresa, de maneira expressa ou implícita. Não existem quaisquer outras garantias expressas ou implícitas que se prolonguem, incluindo as garantias implícitas de comercialização e adequação para fins específicos. A VONROC não será, em nenhuma circunstância, responsável por danos incidentais ou indirectos. Os fornecedores devem estar limitados a reparar ou substituir as unidades ou peças que não estejam em conformidade.

O equipamento e o manual do utilizador estão sujeitos a alterações sem aviso prévio. As especificações podem ser alteradas sem aviso prévio.

1. ISTRUZIONI DI SICUREZZA

Leggere accuratamente gli avvisi di sicurezza, gli avvisi di sicurezza aggiuntivi e le istruzioni. La mancata osservanza degli avvisi di sicurezza e delle istruzioni potrebbe causare scosse elettriche, incendio e/o gravi lesioni. Mantenere gli avvisi di sicurezza e le istruzioni a portata di mano per future consultazioni.

I seguenti simboli sono utilizzati nel presente manuale utente o sul prodotto:



Leggere il manuale per l'utente.



Denota il rischio di lesioni personali, morte o danni all'utensile in caso di mancata osservanza delle istruzioni contenute nel presente manuale.



Rischio di scosse elettriche.



Staccare immediatamente la spina del cavo di alimentazione dalla presa di corrente se il cavo è danneggiato e durante le operazioni di pulizia e di manutenzione.



Apparecchio di Classe II - Doppio isolamento - Non è necessario il collegamento a terra.



Se la temperatura del materiale supera i 40°C, esiste il pericolo di incendio.



Non smaltire il prodotto in contenitori non idonei.



Il prodotto è conforme agli standard pertinenti in materia di sicurezza previsti dalla legislazione Europea.

NOTE DI SICUREZZA

QUESTA APPARECCHIATURA PUÒ ESSERE UTILIZZATA DA BAMBINI DA 8 ANNI NONCHÉ DA PERSONE CON CAPACITÀ FISICHE, SENSORIALI O MENTALI O DA MANCANZA DI ESPERIENZA, SE SI TROVANO SOTTO SORVEGLIANZA ISTRUZIONE IN MERITO ALL'USO DELL'APPARECCHIATURA IN MODO SICURO E COMPRENDONO I RISCHI DEL CASO. ACCERTARSI CHE I BAMBINI NON GIOCHINO CON L'APPARECCHIATURA.

LA PULIZIA E LA MANUTENZIONE UTENTE NON DEVE ESSERE ESEGUITA DA BAMBINI SENZA SUPERVISIONE. SE IL CAVO DI ALIMENTAZIONE È DANNEGGIATO, DEVE ESSERE SOSTITUITO DAL COSTRUTTORE, DA UN SUO RAPPRESENTANTE ADDETTO ALL'ASSISTENZA O DA ALTRE PERSONE CON QUALIFICA SIMILARE AL FINE DI EVITARE RISCHI PER LA SICUREZZA. IL CAVO DEVE ESSERE ESTRATTO DALLA PRESA DI CORRENTE PRIMA DI PULIRE L'APPARECCHIO O SOTTOPORLO A MANUTENZIONE.

- 1) Tenere pulita l'area di lavoro: Le aree e i banchi di lavoro in disordine possono causare incidenti.
- 2) L'aspirapolvere dovrebbe essere assemblato correttamente prima dell'uso.
- 3) Usare solo prolunghie omologate per l'utilizzo esterno (quando l'aspirapolvere viene utilizzato all'esterno) e accertarsi che esse siano in buone condizioni.
- 4) Proteggere i cavi elettrici e accertarsi in particolare che non vengano schiacciati, tirati o danneggiati dai bordi e dai pezzi appuntiti o danneggiati dai liquidi corrosivi.
- 5) Non usare una prolunga danneggiata. Non eseguire riparazioni permanenti o temporanee al cavo stesso.
- 6) Non usare l'aspirapolvere con un cavo elettrico danneggiato. Disporre di un cavo nuovo installato da un centro di assistenza autorizzato.
- 7) Non fissare elementi aggiuntivi su presa, cavi elettrici o prolunga.
- 8) Prima di collegare il proprio aspirapolvere alla presa elettrica, accertarsi che i requisiti di tensione e presa elettrica corrispondano alle indicazioni riportate sull'etichetta accanto al cavo.
- 9) Non tirare il dispositivo tramite il cavo.
- 10) La propria macchina dovrebbe essere sempre spenta prima dell'estrazione del suo cavo dalla presa o dalla prolunga.
- 11) Prima di lasciare il dispositivo senza supervisione (anche solo brevemente), spegnerlo e staccarlo dalla presa elettrica. Ciò dovrebbe avvenire in assenza di corrente.
- 12) Non sottovalutare la corrente del dispositivo. Mantenere sempre un equilibrio stabile.
- 13) Tenere i bambini e gli animali domestici lontano dalla macchina. Quando la macchina in funzione, tutti dovrebbero stare a una distanza di sicurezza.

- 14) Il dispositivo non dovrebbe essere usato da bambini o persone senza dimestichezza con il dispositivo o che non hanno letto il manuale d'istruzioni.
- 15) L'utente del dispositivo è responsabile per la sicurezza degli altri durante il suo utilizzo.
- 16) L'aspirapolvere dovrebbe essere usato solo per i suoi scopi precisi.
- 17) Prima di eseguire qualsiasi intervento di manutenzione, impostazione o pulizia sull'aspirapolvere, spegnerlo, staccarlo dalla presa elettrica e attendere l'arresto del motore.
- 18) Procedere con molta cautela durante la verifica, la pulizia o l'esecuzione dell'intervento di manutenzione sul dispositivo e indossare dei guanti da lavoro spessi per proteggere le proprie mani.
- 19) È vietato modificare i dispositivi di sicurezza o alterare i cavi elettrici o rimuoverli dalla macchina.
- 20) Durante l'utilizzo della macchina, tenerla su una superficie stabile o supportata dal corpo.
- 21) Lavorare solo in condizioni di illuminazione perfetta con luce solare o una luce artificiale adeguata.
- 22) Si raccomanda di usare dei dispositivi otoprotettori.
- 23) Se la macchina vibra in modo innaturale, arrestare il motore e ricercarne immediatamente la causa. La presenza di vibrazioni indicano solitamente la presenza di un problema.
- 24) L'aspirapolvere dovrebbe essere verificato prima di qualsiasi utilizzo. Non usare la macchina che non sia in condizioni perfette. Se viene rilevato un problema che rappresenta un pericolo per l'utente, far riparare la macchina prima dell'uso della stessa.
- 25) Sostituire per ragioni di sicurezza le parti usurate o danneggiate. Usare solo i ricambi approvati dal costruttore. Le parti provenienti da fonti diverse dal costruttore potrebbero non essere compatibili o essere pericolose o causare incidenti. Il cavo di alimentazione può essere sostituito solo dai centri di assistenza cliente specializzati.
- 26) Usare l'aspirapolvere solo in ambienti asciutti e protetti dalle intemperie. Non usarlo all'esterno in caso di pioggia.
- 27) Tenere il dispositivo in un luogo asciutto, fuori dalla portata dei bambini.
- 28) Non lasciare in giro il cavo di alimentazione dopo il completamento della pulizia; qualcuno potrebbe inciampare su di esso.
- 29) Prestare attenzione durante lo svuotamento di serbatoi estremamente pesanti.
- 30) Svuotare il serbatoio dopo ciascun utilizzo per evitare combustioni spontanee.
- 31) Non usare la macchina per aspirare liquidi infiammabili o combustibili, come gasolio, polvere per fotocopiatrici o sostanze volatili, e non usare la macchina in ambienti in cui sono presenti tali liquidi. Non passare l'aspirapolvere su acidi.
- 32) Non passare l'aspirapolvere su qualsiasi materiale tossico, cancerogeno, combustibile o qualsiasi materiale pericoloso, come polvere di amianto, arsenico, bario, berillio, piombo, pesticidi o altre sostanze pericolose per la propria salute.
- 33) Procedere con la massima cautela durante l'utilizzo dell'aspirapolvere su legno o ceneri di carbone di legna, ruggine, cemento, intonaco o polvere d'intonaco. Queste particelle sono estremamente sottili e possono passare attraverso i filtri pregiudicando le prestazioni del motore o essere soffiate nell'aria. Noi raccomandiamo in caso di necessità di usare un filtro di tessuto in abbinamento con un sacchetto di raccolta delle polveri durante la pulizia di questi tipi di materiali.
- 34) Non passare l'aspirapolvere sopra una superficie che brucia o è incandescente, come sigarette, mozziconi di sigarette, fiammiferi o ceneri calde.
- 35) Non passare mai l'aspirapolvere sopra acqua salina; essa potrebbe distruggere il motore.

AVVERTENZE DI SICUREZZA SPECIFICHE PER IL SOFFIAGGIO

- Indirizzare lo sfiato d'aria solo nell'ambito di lavoro. Non indirizzarlo mai su persone o animali.
- Rischio di oggetti volanti. Tenere lontano chiunque si trovi nelle vicinanze dall'area di lavoro.
- Indossare sempre occhiali di protezione prima di usare la funzione di soffiaggio.

Sicurezza elettrica

Quando si utilizzano apparecchi elettrici, osservare sempre le norme di sicurezza vigenti nel proprio paese per ridurre il rischio di incendi, scosse elettriche e lesioni personali. Leggere le istruzioni di sicurezza riportate di seguito oltre a quelle allegato al presente manuale.



Verificare sempre che la tensione della rete di alimentazione corrisponda al valore riportato sulla targhetta dei valori nominali dell'elettrodomestico.



Apparecchio di Classe II - Doppio isolamento - Non è necessario il collegamento a terra.

Se non è possibile evitare l'uso di un elettrodomestico in ambiente umido, usare una rete di alimentazione protetta da un interruttore differenziale (salvavita). L'uso di un salvavita riduce il rischio di scosse elettriche.

2. INFORMAZIONI RELATIVE ALL' ELETTRODOMESTICO

Usò previsto

L'aspirapolvere è destinato all'aspirazione domestica di polvere secca e umida, per esempio in casa, nella stanza di lavoro, nell'automobile o in garage. L'aspirapolvere è dotato di una funzione di soffiaggio. Esso può essere usato per soffiare la polvere e i detriti fuori dai garage o dai cortili e dai vialetti.

Il dispositivo non è idoneo per l'uso in ambiente commerciale o industriale.

DATI TECNICI

Modello n.º	VC502AC
Tensione di rete	220-240 V~
Fréquence de secteur	50-60 Hz
Potenza assorbita	1000W
Lunghezza cavo	5m
Categoria di protezione	IPX4
Forza di aspirazione	16 kPa, 1,5 m3/min
Capienza recipiente circa	12 L
Volume utile circa	5 L
Filtro asciutto	filtro HEPA
Filtro umido	Filtro di schiuma
Sistema di tubi flessibili	Ø32mm
Diametro attacco di aspirazione (19 fig. D)	Ø44mm
Sacchetto raccogli-polvere	VC802AA
Peso (compresi tutti gli accessori) circa	3,6 kg

DESCRIZIONE

I numeri che compaiono nel testo si riferiscono agli schemi riportati a pagina 2-4.

1. Interruttore On/Off
2. Maniglia di trasporto
3. Attacco aspirapolvere
4. Attacco di soffiaggio
5. Ruote basculanti
6. Morsetto di bloccaggio
7. Conservazione del cavo di alimentazione
8. Conservazione di tubature e bocchette
9. Contenitore
10. Sezione superiore
11. Tubo flessibile
12. Impugnatura
13. Tubature di aspirazione
14. Bocchetta di fondo
15. Bocchetta 2 in 1
16. Sacchetto raccogli-polvere
17. filtro HEPA
18. Filtro di schiuma
19. Attacco di presa
20. Galleggiante
21. Gabbia filtro

3. MONTAGGIO



Prima del montaggio spegnere sempre l'elettrodomestico e staccare la spina dalla presa di corrente.

1. Premere le 4 ruote basculanti (5) sul contenitore (9) e serrare le viti come da fig. B. Fare in modo che le ruote basculanti (5) siano fissate in modo sicuro.
2. Montare l'attacco aspirapolvere (3) sul contenitore (9) e serrare le viti come da fig. B.
3. Inserire il filtro. Fare in modo di montare il filtro corretto a seconda dell'applicazione:
 - Far scivolare con cautela per l'aspirazione di polvere asciutta il filtro HEPA (17) sopra la gabbia filtro (21) facendo in modo che l'intera gabbia (21) è ricoperta come da fig. C-1.
 - Per l'aspirazione di polvere asciutta, far scivolare con cautela il filtro di tessuto (18) sopra la gabbia filtro (21) facendo in modo che l'intera gabbia (21) sia ricoperta come da fig. C-2.
4. Posizionare la sezione superiore (10) sul contenitore (9) come da fig. E.
5. Collegare il tubo flessibile di aspirazione (11).

- Collegare per l'aspirazione di polvere (fig. F-1) il tubo flessibile di aspirazione (11) all'attacco aspirapolvere (3).
 - Collegare per il soffiaggio (fig. F-2) il tubo flessibile di aspirazione (11) all'attacco di soffiaggio (4).
6. Una o diverse tubature di aspirazione (13) possono essere attaccate all'impugnatura (12) per estenderla (fig. A).
 7. Collegare la bocchetta desiderata all'impugnatura o alle tubature di aspirazione (13).

Bocchetta di fondo (14)

La bocchetta di fondo è progettata per l'aspirazione domestica secca e umida, per esempio la casa, la stanza di lavoro o il garage.

Bocchetta 2 in 1 (15)

La bocchetta per interstizi è progettata per l'aspirazione domestica di polvere asciutta e umida, negli angoli e in altri ambiti difficilmente accessibili. La spazzola è progettata per l'aspirazione di sostanze solide da ambiti ridotti.

4. FUNZIONAMENTO



Se l'aspirapolvere si ribalta accidentalmente, il meccanismo del galleggiante di spegnimento (20) potrebbe coprire l'attacco aspirapolvere del motore ed arrestare l'aspirazione. Se ciò accade, basta posizionare l'aspirapolvere in posizione eretta e spegnerlo fino a quando il galleggiante (20) non ritorna nella propria posizione normale.

Accensione (fig. A):



Non passare l'aspirapolvere senza un filtro!

1. Srotolare completamente il tubo flessibile di aspirazione (11).
2. Collegare la spina del cavo di alimentazione alla presa elettrica.
3. Premere l'interruttore principale (1) nella posizione "ON/1" per avviare il proprio aspirapolvere.

Spegnimento (fig. A):

Premere l'interruttore principale (1) nella posizione "OFF/0" per spegnere il proprio aspirapolvere.

Aspirazione della polvere asciutta (fig. A, C - F)



Pulire regolarmente il filtro HEPA (17) per preservare la potenza di aspirazione.



Per evitare l'intasamento del filtro HEPA (17), si raccomanda l'uso aggiuntivo di un sacchetto raccogli-polvere (16).



La polvere fine, la polvere da cemento, ruggine e intonaco sono troppo fini per essere usati con solo il filtro HEPA (17) e rischiano di penetrare nel motore e danneggiarlo. Perciò noi raccomandiamo di usare un sacchetto di raccolta delle polveri (16) durante la pulizia di questi tipi di materiali.



Il sacchetto raccogli-polvere (16) intasato può esplodere - assicurarsi perciò di sostituire il sacchetto raccogli-polvere in tempo utile!

1. Spegnerlo (1) la macchina e staccare la spina dalla presa di corrente.
2. Aprire il morsetto di bloccaggio (6) e rimuovere la sezione superiore (10).
3. Prima di passare l'aspirapolvere, rimuovere tutto lo sporco e i detriti dal contenitore (9).
4. Far scivolare con cautela il filtro HEPA (17) in basso sopra la gabbia filtro (21) facendo in modo che l'intera gabbia (21) sia ricoperta come da fig. C-1.
5. Per l'aspirazione di polvere con sacchetto raccogli-polvere (16):
 - Afferrare in modo fermo il collare in cartone e far scivolare l'elemento protettivo in gomma il più possibile sull'attacco di presa (19) come da fig. D.
 - Quando tutto è in posizione, distendere il sacchetto (16) e posizionarlo attorno alle pareti interne del contenitore (9).
6. Reinscrivere la sezione superiore (10) e serrare il morsetto di bloccaggio (6).
7. Inserire un'estremità del tubo flessibile (11) nell'attacco aspirapolvere (3). Srotolare completamente il tubo flessibile di aspirazione (11).
8. Collegare la spina del cavo di alimentazione alla presa elettrica.
9. Premere l'interruttore principale (1) nella posizione "ON/1" per avviare il proprio aspirapolvere.
10. La macchina ora è pronta per essere utilizzata per l'aspirazione di polvere asciutta.
11. Premere l'interruttore principale (1) nella posi-

zione "OFF/0" per spegnere il proprio aspirapolvere.

Aspirazione di polvere umida (fig. A, C, E - G)



L'aspirapolvere è dotato di un galleggiante (20). La potenza di aspirazione diminuisce quando viene raggiunto il livello di riempimento massimo. Spegnerne (1) immediatamente l'aspirapolvere. Rimuovere la spina dalla presa e svuotare il contenitore (9).



Pulire il galleggiante (20) ad intervalli regolari e controllare la presenza di danneggiamenti.



In caso contrario potrebbe non funzionare. Non toccare mai l'acqua che deve essere aspirata. Pericolo di scosse elettriche.



Spegnerne (1) immediatamente la macchina se si crea della schiuma o fuoriesce del liquido!



Non usare il sacchetto raccogli-polvere (16)!

1. Spegnerne (1) la macchina e staccare la spina dalla presa di corrente.
2. Aprire il morsetto di bloccaggio (6) e rimuovere la sezione superiore (10).
3. Prima dell'aspirazione di polvere umida, rimuovere il sacchetto raccogli-polvere (16), il filtro HEPA (17) e rimuovere tutto lo sporco e i detriti dal contenitore (9).
4. Far scivolare con cautela il filtro di schiuma (18) in basso sopra la gabbia filtro (21) facendo in modo che l'intera gabbia (21) sia ricoperta come da fig. C-2.
5. Reinserrire la sezione superiore (10) e serrare il morsetto di bloccaggio (6).
6. Inserire un'estremità del tubo flessibile (11) nell'attacco aspirapolvere (3). Srotolare completamente il tubo flessibile di aspirazione (11).
7. Collegare la spina del cavo di alimentazione alla presa elettrica.
8. Premere l'interruttore principale (1) nella posizione "ON/1" per avviare il proprio aspirapolvere.
9. La macchina ora è pronta per essere utilizzata per l'aspirazione di polvere umida.
10. Premere l'interruttore principale (1) nella posi-

zione "OFF/0" per spegnere il proprio aspirapolvere.

11. Sollevare il tubo flessibile (11) in modo che i liquidi vadano a finire nel contenitore (9).
12. Svuotare il contenitore (9) immediatamente dopo l'aspirazione poiché esso non è destinato alla conservazione di liquidi.

Funzione di soffiaggio (fig. A, E - F)



Si raccomanda di non usare un filtro durante il funzionamento.



Rimuovere tutto lo sporco e i detriti dal contenitore (9) prima di usare la funzione di soffiaggio.



Indossare sempre occhiali di protezione prima di usare la funzione di soffiaggio.



Rischio di oggetti volanti. Tenere lontano chiunque si trovi nelle vicinanze dall'area di lavoro.

Il proprio aspirapolvere è dotato di una funzione di soffiaggio. Esso può essere usato per soffiare la polvere e i detriti fuori dai garage o dai cortili e dai vialetti.

1. Spegnerne (1) la macchina e staccare la spina dalla presa di corrente.
2. Aprire il morsetto di bloccaggio (6) e rimuovere la sezione superiore (10).
3. Prima del soffiaggio, rimuovere il sacchetto raccogli-polvere (16), il filtro (17, 18) e rimuovere tutto lo sporco e i detriti dal contenitore (9).
4. Reinserrire la sezione superiore (10) e serrare il morsetto di bloccaggio (6).
5. Inserire un'estremità del tubo flessibile (11) nell'attacco di soffiaggio (4) sul lato posteriore della macchina. Srotolare completamente il tubo flessibile di aspirazione (11).
6. Collegare la spina del cavo di alimentazione alla presa elettrica.
7. Premere l'interruttore principale (1) nella posizione "ON/1" per avviare il proprio aspirapolvere.
8. La macchina è ora pronta per il soffiaggio di polvere e detriti.
9. Premere l'interruttore principale (1) nella posizione "OFF/0" per spegnere il proprio aspirapolvere.

Conclusione del funzionamento (fig. A)

1. Spegnerne (1) la macchina e staccare la spina dalla presa di corrente.
2. Rimuovere la sezione superiore (10) e svuotare il contenitore (9).
3. Pulire la macchina con un panno morbido.
4. Riporre il cavo di alimentazione e gli accessori sulla macchina. Conservare l'apparecchio in un luogo asciutto.

5. MANUTENZIONE

Prima di eseguire qualsiasi operazione di pulizia e intervento di manutenzione spegnere sempre l'elettrodomestico e staccare la spina dalla presa di corrente.

Pulire regolarmente il corpo dell'elettrodomestico con un panno morbido, preferibilmente dopo ogni uso. Assicurarsi che le prese d'aria siano libere da polvere e sporcizia. Rimuovere lo sporco particolarmente ostinato con un panno morbido inumidito con acqua e sapone. Non utilizzare solventi come benzina, alcol, ammoniaca, ecc. Le sostanze chimiche di questo tipo danneggiano i componenti sintetici.

Filtri (fig. A)

Per raggiungere prestazioni ottimali si raccomanda di sostituire regolarmente i filtri (17,18) in base all'utilizzo.

1. Rimuovere con cautela il filtro HEPA (17) o di schiuma (18).
2. Usare una soluzione di acqua e sapone neutro per pulire il filtro e poi sciacquare con acqua pulita.
3. Consentire l'essiccazione all'aria del filtro prima di installarlo e usarlo nuovamente.
4. Reinstallare il filtro.

Galleggiante e gabbia filtro (fig. G)

Pulire regolarmente il galleggiante (20) e la gabbia filtro (21) con un panno morbido e controllare la presenza di danneggiamenti. In caso contrario potrebbe non funzionare.

RISPETTO AMBIENTALE

Se si prevede che la macchina non verrà usata per molto tempo si consiglia di conservare le batterie cariche.

Solo per i Paesi CE

Non smaltire gli elettrodomestici insieme ai rifiuti domestici. Secondo la Direttiva europea 2012/19/EC sui rifiuti delle apparecchiature elettriche ed elettroniche e relativa implementazione nelle normative locali, gli elettrodomestici ormai inutilizzabili devono essere raccolti separatamente e smaltiti in modo ecologico.

DEFINIZIONI DELLA GARANZIA

I prodotti VONROC sono sviluppati secondo i più elevati standard di qualità e viene garantita l'assenza di difetti nei materiali e nella manodopera per il periodo contrattuale a partire dalla data di acquisto originale. Qualora il prodotto dovesse subire un guasto qualsiasi durante questo periodo a causa di difetti nei materiali e/o nella manodopera, si prega di contattare direttamente il VONROC.

Le seguenti circostanze sono escluse da questa garanzia:

- Riparazioni e/o modifiche alla macchina sono state eseguite o tentate da centri di assistenza non autorizzati.
- Normale usura.
- L'utensile è stato abusato, utilizzato o manuttenuto in modo improprio.
- Sono state utilizzate parti di ricambio non originali

Ciò costituisce l'unica garanzia espressa o implicita fornita dall'azienda. Non esistono altre garanzie espresse o implicite che si estendono oltre il presente documento, ivi comprese le garanzie implicite di commerciabilità e idoneità per uno scopo particolare. In nessun caso VONROC sarà responsabile di eventuali danni incidentali o consequenziali. I rimedi dei rivenditori saranno limitati alla riparazione o sostituzione di unità o parti non conformi.

Il prodotto e il manuale per l'utente sono soggetti a modifiche. I dati tecnici possono essere modificati senza ulteriore notifica.

1. INSTRUKCJE BEZPIECZEŃSTWA

Przeczytać dołączone ostrzeżenia dotyczące bezpieczeństwa, dodatkowe ostrzeżenia dotyczące bezpieczeństwa oraz instrukcję. Nieprzestrzeganie ostrzeżeń dotyczących bezpieczeństwa oraz instrukcji może prowadzić do porażenia prądem, pożaru i/lub poważnych obrażeń ciała. Zachować ostrzeżenia dotyczące bezpieczeństwa oraz instrukcje na przyszłość.

Następujące symbole są umieszczone w instrukcji obsługi lub na produkcie:



Przeczytać instrukcję obsługi.



Oznacza ryzyko obrażeń ciała, śmierci lub uszkodzenia narzędzia w razie nieprzestrzegania poleceń z instrukcji.



Ryzyko porażenia prądem.



Niezwłocznie odłączyć wtyczkę zasilania sieciowego od gniazdka sieciowego, jeśli przewód zasilania sieciowego zostanie uszkodzony, a także na czas czyszczenia i konserwacji.



Maszyna klasy II - Podwójna izolacja - Nie trzeba stosować wtyczek z uziemieniem.



Jeśli temperatura materiału przekracza 40°C, występuje ryzyko pożaru.



Nie wyrzucać produktu do nieodpowiednich pojemników.



Produkt spełnia wymogi odpowiednich norm bezpieczeństwa podanych w dyrektywach UE.

UWAGI DOTYCZĄCE BEZPIECZEŃSTWA

TO URZĄDZENIE MOŻE BYĆ UŻYWANE PRZEZ DZIECI W WIEKU OD 8 LAT I OSOBY Z OGRANICZONYMI ZDOLNOŚCIAMI FIZYCZNYMI, CZUCIOWYMI LUB UMYSŁOWYMI LUB NIEPOSIADAJĄCE DOŚWIADCZENIA I WIEDZY, JEŚLI ZNAJDUJĄ SIĘ ONE POD NADZOREM LUB ZOSTAŁY PRZESZKOLONE Z BEZPIECZNEGO UŻYTKOWANIA URZĄDZENIA I ROZUMIEJĄ ZWIĄZANE

Z TYM ZAGROŻENIA. DZIECIOM NIE WOLNO POZWALAĆ BAWIĆ SIĘ URZĄDZENIEM. DZIECIOM BEZ NADZORU NIE WOLNO PRZEPROWADZAĆ CZYSZCZENIA I KONSERWACJI URZĄDZENIA. JEŚLI PRZEWÓD ZASILANIA JEST USZKODZONY, MUSI GO WYMIENIĆ PRODUCENT, JEGO PRZEDSTAWICIEL SERWISOWY LUB PODOBNI, ODPOWIEDNIO WYKWALIFIKOWANA OSOBA, ABY UNIKNĄĆ ZAGROŻENIA. WTYCZKĘ NALEŻY WYJĄĆ Z GNIAZDKA PRZED ROZPOCZĘCIEM CZYSZCZENIA URZĄDZENIA LUB CZYNNOSCI KONSERWACYJNYCH DOTYCZĄCYCH URZĄDZENIA.

- 1) Utrzymywać miejsce pracy w czystości: Bałagan w miejscu pracy i na blacie roboczym prowadzi do obrażeń ciała.
- 2) Odkurzacze należy prawidłowo zmontować przed użyciem.
- 3) Używać wyłącznie przedłużaczy zatwierdzonych do użytku na wolnym powietrzu (jeśli odkurzacze jest używany na wolnym powietrzu) i zawsze dopilnowywać, aby były w dobrym stanie.
- 4) Chronić kable elektryczne i, w szczególności, dopilnować, aby nie zostały ściśnięte, pociągnięte lub uszkodzone przez krawędzie, ostre elementy lub ruchome części, ani uszkodzone żrącymi cieczami.
- 5) Nie używać uszkodzonych kabli przedłużeniowych. Nie wykonywać tymczasowych ani stałych modyfikacji kabla ani go nie naprawiać.
- 6) Nie używać odkurzacza z uszkodzonym kablem elektrycznym. Zlecić instalację nowego kabla przez autoryzowany serwis.
- 7) Nie podłączać niczego poza narzędziem do gniazdka, kabli elektrycznych ani przedłużacza.
- 8) Przed podłączeniem odkurzacza do gniazdka elektrycznego dopilnować, aby napięcie i parametry gniazdka były zgodne z oznaczeniami podanymi na naklejce obok kabla.
- 9) Nie ciągnąć urządzenia za kabel.
- 10) Urządzenie należy zawsze wyłączać przed odłączeniem go od gniazdka lub przedłużacza.
- 11) Przed pozostawieniem narzędzia bez nadzoru (nawet na chwilę), wyłączyć je i odłączyć od gniazdka. Należy to również zrobić w razie utraty zasilania.
- 12) Nie lekceważyć mocy narzędzia. Zawsze utrzymywać równowagę i stabilną pozycję.
- 13) Nie pozwalać dzieciom i zwierzętom domowym

- zbliżać się do urządzenia. Kiedy urządzenie pracuje, wszyscy muszą znajdować się w bezpiecznej odległości.
- 14) Urządzenia nie powinny używać dzieci ani osoby, które nie znają urządzenia i nie przeczytały tej instrukcji obsługi.
 - 15) Użytkownik urządzenia odpowiada za bezpieczeństwo innych osób podczas użytkowania urządzenia.
 - 16) Odkurzacza wolno używać wyłącznie zgodnie z przeznaczeniem.
 - 17) Przed rozpoczęciem wykonywania prac konserwacyjnych, regulacji lub czyszczenia odkurzacza, wyłączyć go, odłączyć od gniazdka i poczekać na zatrzymanie się silnika.
 - 18) Zachować ostrożność podczas sprawdzania, czyszczenia lub konserwacji urządzenia i nosić grube rękawice robocze w celu ochrony dłoni.
 - 19) Urządzeń zabezpieczających i kabli elektrycznych nie wolno modyfikować ani usuwać z urządzenia.
 - 20) Podczas korzystania z urządzenia należy je utrzymywać w stabilnej pozycji na stabilnej powierzchni lub opierać je o ciało.
 - 21) Pracować wyłącznie w świetle dziennym lub przy właściwym sztucznym oświetleniu.
 - 22) Zalecamy korzystanie ze środków ochrony słuchu.
 - 23) Jeśli urządzenie nietypowo wibruje, niezwłocznie zatrzymać silnik i poszukać przyczyny. Wibracje zwykle oznaczają problem.
 - 24) Odkurzacz należy prawidłowo sprawdzić przed każdym użyciem. Nie używać urządzenia, które nie jest w idealnym stanie. W razie zauważenia problemu, który może stanowić zagrożenie dla użytkownika, zlecić naprawę urządzenia przed jego ponownym użyciem.
 - 25) Ze względów bezpieczeństwa wymieniać zużyte lub uszkodzone części. Używać wyłącznie części zamiennych zatwierdzonych przez producenta. Części pochodzące ze źródeł innych niż producent urządzenia mogą nie pasować prawidłowo, być niebezpieczne lub spowodować obrażenia ciała. Kabel zasilający może wymienić wyłącznie pracownik serwisu.
 - 26) Używać odkurzacza wyłącznie w miejscach suchych i chronionych przed niekorzystnymi warunkami atmosferycznymi. Nie używać odkurzacza na wolnym powietrzu podczas deszczu.
 - 27) Przechowywać odkurzacz w suchym miejscu niedostępnym dla dzieci.
 - 28) Nie pozostawiać kabla zasilającego po zakończeniu odkurzania, bo ktoś może się o niego potknąć.
 - 29) Zachować ostrożność podczas opróżniania bardzo ciężkich zbiorników.
 - 30) Aby uniknąć samozapłonu, opróżniać zbiornik po każdym użyciu.
 - 31) Nie używać tego urządzenia do wsysania łatwopalnych lub palnych cieczy, jak benzyna, proszek do fotokopiarek, albo substancji lotnych. Nie używać również urządzenia w miejscach, gdzie występują takie ciecze. Nie wsysać kwasów.
 - 32) Nie wsysać żadnych materiałów toksycznych, rakotwórczych, palnych, ani innych niebezpiecznych materiałów, jak azbest, pył azbestowy, arsen, bar, beryl, ołów, pestycydy, bądź innych substancji niebezpiecznych dla zdrowia.
 - 33) Zachować szczególną ostrożność podczas wsysania popiołu drzewnego lub popiołu z węgla drzewnego, sadzy, cementu, tynku lub pyłu z płyt gipsowo-kartonowych. Takie cząsteczki są bardzo drobne i mogą przedostawać się przez filtry, obniżając wydajność silnika, albo zostać wydmuchane w powietrze. Z tej przyczyny, zdecydowanie zalecamy zastosowanie filtra tkaninowego w połączeniu z workiem na kurz podczas usuwania tego typu materiałów.
 - 34) Nie wsysać żadnych materiałów, które się palą lub tlą, jak papierosy, niedopałki, zapałki lub gorący popiół.
 - 35) Nigdy nie wsysać słonej wody, gdyż może ona zniszczyć silnik.

SZCZEGÓLNE OSTRZEŻENIA DOTYCZĄCE ZDMUCHIWANIA

- a) Kierować strumień powietrza wyłącznie na obszar roboczy. Nigdy nie kierować strumienia na ludzi lub zwierzęta.
- b) Ryzyko wyrzucenia przedmiotów w powietrze. Nie pozwalać osobom postronnym zbliżać się do obszaru pracy.
- c) Zawsze zakładać okulary ochronne przed rozpoczęciem korzystania z funkcji dmuchawy.

Bezpieczeństwo elektryczne

Podczas korzystania z elektronarzędzi należy zawsze przestrzegać krajowych przepisów BHP w celu ograniczenia ryzyka pożaru, porażenia prądem i obrażeń ciała. Przeczytać poniższe instrukcje dotyczące bezpieczeństwa oraz dołączone instrukcje dotyczące bezpieczeństwa.



Zawsze sprawdzać, czy napięcie zasilania jest zgodne z napięciem podanym na tabliczce znamionowej.



Maszyna klasy II - Podwójna izolacja - Nie trzeba stosować wtyczek z uziemieniem.

Jeśli obsługa elektronarzędzia w wilgotnym miejscu jest nieunikniona, użyć zasilania wyposażonego w wyłącznik różnicowoprądowy. Użycie wyłącznika różnicowoprądowego zmniejsza ryzyko porażenia prądem.

2. INFORMACJE O MASZYNIE

Przeznaczenie

Odkurzacz jest przeznaczony do odkurzania na mokro i sucho w zastosowaniach domowych, np. w mieszkaniu, warsztacie, samochodzie lub garażu. Odkurzacz ma funkcję dmuchawy. Można jej używać do zdmuchiwania pyłu, kurzu i resztek w garażach lub na tarasach i podjazdach.

To urządzenie nie jest przeznaczone do użytku komercyjnego ani przemysłowego.

DANE TECHNICZNE

Nr modelu	VC502AC
Napięcie sieciowe	220-240 V~
Elektros tinklo dažnis	50-60 Hz
Pobór mocy	1000W
Długość kabla	5m
Stopień ochrony	IPX4
Siła ssania	16 kPA, 1,5 m3/min
Pojemność zbiornika około	12 l
Użyteczna objętość zbiornika około	5 l
Filtr suchy	ŁFiltr HEPA
Filtr mokry	Filtr piankowy
Przyłącze węża	Ø32 mm
Średnica wlotu (19 rys. D)	Ø44 mm
Zalecany worek na pył	VC802AA
Masa (z wszystkimi akcesoriami) około	3,6 kg

OPIS

Liczyby w tekście odnoszą się do rysunków na stronie 2-4.

1. Włacznik
2. Rączka do przenoszenia
3. Gniazdo wlotowe
4. Gniazdo wylotowe
5. Kółka samonastawne
6. Zatrask blokujący
7. Uchwyt do kabla zasilającego
8. Uchwyt do rur i dyszy
9. Zbiornik
10. Część górna
11. Wąż
12. Uchwyt
13. Rury ssące
14. Dysza do podłóg
15. Dysza 2 w 1
16. Worek na pył
17. ŁFiltr HEPA
18. Filtr piankowy
19. Otwór wlotowy
20. Pływak
21. Obudowa filtra

3. MONTAŻ



Przed rozpoczęciem montażu zawsze wyłączać maszynę i wyjmować wtyczkę zasilania sieciowego z gniazdka.

1. Wcisnąć 4 kółka samonastawne (5) na zbiornik (9) i dokręcić śruby zgodnie z rys. B. Dopilnować, aby kółka samonastawne (5) były solidnie przymocowane.
2. Zamontować gniazdo wlotowe (3) na zbiornik (9) i dokręcić śruby zgodnie z rys. B.
3. Zamontować filtr. Pamiętać, aby zamontować prawidłowy filtr w zależności od zastosowania:
 - Do odkurzania na sucho ostrożnie nasunąć ŁFiltr HEPA (17) na obudowę filtra (21), dopilnowując by cała obudowa (21) została zaślonięta zgodnie z rys. C-1.
 - Do odkurzania na mokro ostrożnie wsunąć filtr piankowy (18) na obudowę filtra (21), dopilnowując by cała obudowa (21) została zaślonięta zgodnie z rys. C-2.
4. Założyć część górną (10) na zbiornik (9) zgodnie z rys. E.
5. Podłączyć wąż ssący (11).

- Do odkurzania (rys. F-1) podłączyć wąż ssący (11) do gniazda wlotowego (3).
 - Do dmuchiwnia (rys. F-2) podłączyć wąż ssący (11) do gniazda wylotowego (4).
6. Jedną lub więcej rurę ssącą (13) można podłączyć do uchwyty (12) w celu jego przedłużenia (rys. A).
 7. Podłączyć żadaną dyszę do uchwyty lub rur ssących (13).

Dysza do podłóg (14)

Dysza do podłóg jest przeznaczona do odkurzania na mokro i sucho w zastosowaniach domowych, np. w mieszkaniu, warsztacie lub garażu.

Dysza 2 w 1 (15)

Wąska dysza jest przeznaczona do odkurzania na mokro i sucho w zastosowaniach domowych w trudno dostępnych miejscach, np. w szczelinach i zakamarkach. Szczotka jest przeznaczona do wysysania ciał stałych z małych obszarów.

4. OBSŁUGA



Jeśli dojdzie do przypadkowego przewrócenia odkurzacza, pływak odcinający (20) może zasłonić gniazdo wlotowe silnika i zatrzymać ssanie. Jeśli tak się stanie, po prostu postawić odkurzacz pionowo i wyłączyć go do czasu powrotu pływaka (20) do normalnego położenia.

Włączanie (rys. A):



Nie odkurzać bez filtra!

1. Całkowicie rozwinąć wąż ssący (11).
2. Podłączyć wtyczkę do gniazdka zasilania.
3. Wcisnąć włącznik (1) w położenie „ON/1”, aby włączyć odkurzacz.

Wyłączenie (rys. A):

Wcisnąć włącznik (1) w położenie „OFF/0”, aby wyłączyć odkurzacz.

Odkurzanie na sucho (rys. A, C - F)



Regularnie czyścić łoż filtr HEPA (17), aby utrzymać moc ssania.



Aby unikać zatykania się łoż filtr HEPA (17), zalecamy stosowanie dodatkowego worka (16).



Drobny pył, np. z cementu, sadzy i tynku, jest zbyt drobny, aby mógł go wyłapywać wyłącznie łoż filtr HEPA (17), może przedostać się do silnika i spowodować jego uszkodzenie. Z tej przyczyny zdecydowanie zalecamy stosowanie worka na kurz (16) podczas usuwania tego typu materiałów.



Zatkany worek na kurz (16) może ulec rozerwaniu, dlatego należy koniecznie pamiętać o wymianie worka na pył na czas!

1. Wyłączyć (1) maszynę i wyjąć wtyczkę zasilania sieciowego z gniazdka.
2. Otworzyć zatrzask blokujący (6) i zdjąć górną część (10).
3. Przed rozpoczęciem odkurzania usunąć wszelkie zanieczyszczenia i resztki ze zbiornika (9).
4. Ostrożnie nasunąć łoż filtr HEPA (17) na obudowę filtra (21), dopilnowując by cała obudowa (21) została zasłonięta zgodnie z rys. C-1.
5. Do odkurzania z workiem na pył (16):
 - Mocno trzymać kartonowy kołnierz i nasunąć gumowy element ochronny jak najdalej na otwór wlotowy (19) zgodnie z rys. D.
 - Po umieszczeniu powyższych elementów na miejscu rozłożyć worek (16) i umieścić go wokół wewnętrznych ścianek zbiornika (9).
6. Zamontować górną część (10) na miejsce i zamknąć zatrzask blokujący (6).
7. Włożyć jeden koniec węża (11) w gniazdo wlotowe (3). Całkowicie rozwinąć wąż ssący (11).
8. Podłączyć wtyczkę do gniazdka zasilania.
9. Wcisnąć włącznik (1) w położenie „ON/1”, aby włączyć odkurzacz.
10. Urządzenie jest teraz gotowe do odkurzania na sucho.
11. Wcisnąć włącznik (1) w położenie „OFF/0”, aby wyłączyć odkurzacz.

Odkurzanie na mokro (rys. A, C, E - G)



Odkurzacz jest wyposażony w pływak (20). Moc ssania spada wraz z napełnianiem zbiornika i zbliżania się do jego zapelnienia. Niezwłocznie wyłączyć odkurzacz (1). Wyjąć wtyczkę z gniazdka i opróżnić zbiornik (9).



Regularnie czyścić pływak (20) i sprawdzać pod kątem uszkodzeń. W przeciwnym razie może nie działać prawidłowo.



*Nigdy nie sięgać do wody do wessania.
Ryzyko porażenia prądem.*



Niezwłocznie wyłączyć (1) urządzenie, jeśli powstaje piana lub wycieka z niego płyn!



Nie używać worka na pył (16)!

1. Wyłączyć (1) maszynę i wyjąć wtyczkę zasilania sieciowego z gniazdka.
2. Otworzyć zatrzask blokujący (6) i zdjąć górną część (10).
3. Przed odkurzaniem na mokro usunąć worek na pył (16), ł filtr HEPA (17) i usunąć wszystkie zanieczyszczenia i resztki ze zbiornika (9).
4. Ostrożnie nasunąć filtr piankowy (18) na obudowę filtra (21), dopilnowując by cała obudowa (21) została zasłonięta zgodnie z rys. C-2.
5. Zamontować górną część (10) na miejsce i zamknąć zatrzask blokujący (6).
6. Włożyć jeden koniec węża (11) w gniazdo wlotowe (3). Całkowicie rozwinąć wąż ssący (11).
7. Podłączyć wtyczkę do gniazdka zasilania.
8. Wcisnąć włącznik (1) w położenie „ON/1”, aby włączyć odkurzacz.
9. Urządzenie jest teraz gotowe do odkurzania na mokro.
10. Wcisnąć włącznik (1) w położenie „OFF/0”, aby wyłączyć odkurzacz.
11. Unieść wąż (11), aby ciecz spłynęła do zbiornika (9).
12. Opróżnić zbiornik (9) niezwłocznie po zakończeniu odkurzania na mokro, ponieważ nie jest on przeznaczony do przechowywania cieczy.

Funkcja dmuchawy (rys. A, E - F)



Zalecamy używanie odkurzacza w tym trybie bez filtra.



Usunąć wszystkie zanieczyszczenia i resztki ze zbiornika (9) przed użyciem funkcji dmuchawy.



Zawsze zakładać okulary ochronne przed rozpoczęciem korzystania z funkcji dmuchawy.



Ryzyko wyrzucenia przedmiotów w powietrze. Nie pozwalać osobom postronnym zbliżyć się do obszaru pracy.

Odkurzacz ma funkcję dmuchawy. Można jej używać do zdmuchiwania pyłu, kurzu i resztek w garażach lub na tarasach i podjazdach.

1. Wyłączyć (1) maszynę i wyjąć wtyczkę zasilania sieciowego z gniazdka.
2. Otworzyć zatrzask blokujący (6) i zdjąć górną część (10).
3. Przed dmuchaniem usunąć worek na pył (16), filtr (17, 18) i usunąć wszystkie zanieczyszczenia i resztki ze zbiornika (9).
4. Zamontować górną część (10) na miejsce i zamknąć zatrzask blokujący (6).
5. Włożyć jeden koniec węża (11) w gniazdo wlotowe (4) z tyłu urządzenia. Całkowicie rozwinąć wąż ssący (11).
6. Podłączyć wtyczkę do gniazdka zasilania.
7. Wcisnąć włącznik (1) w położenie „ON/1”, aby włączyć odkurzacz.
8. Urządzenie jest teraz gotowe do zdmuchiwania pyłu i zanieczyszczeń.
9. Wcisnąć włącznik (1) w położenie „OFF/0”, aby wyłączyć odkurzacz.

Kończenie pracy (rys. A)

1. Wyłączyć (1) maszynę i wyjąć wtyczkę zasilania sieciowego z gniazdka.
2. Zdjąć górną część (10) i opróżnić zbiornik (9).
3. Oczyszczyć urządzenie suchą ściereczką.
4. Zamocować kabel zasilający i akcesoria na maszynie. Przechowywać urządzenie w suchym pomieszczeniu.

5. KONSERWACJA



Zawsze odłączać narzędzie od zasilania sieciowego przed rozpoczęciem przeprowadzania jakichkolwiek prac konserwacyjnych.

Czyścić obudowę maszyny regularnie miękką ściereczką, najlepiej po każdym użyciu. Dopilnować, aby otwory wentylacyjne były wolne od pyłu, kurzu i zabrudzeń. Usuwać oporne zabrudzenia miękką ściereczką zwilżoną mydlinami. Nie używać żadnych rozpuszczalników, takich jak benzyna, alkohol, amoniak itp. Takie substancje chemiczne spowodują uszkodzenie części z tworzyw sztucznych.

Filtry (rys. A)



W celu zapewnienia optymalnej wydajności zaleca się regularną wymianę filtrów (17, 18) w zależności od ich zużycia.

1. Ostrożnie zdjąć łoż filtr HEPA (17) lub piankowy (18).
2. Użyć delikatnego mydła i wody do umycia filtra, a następnie przepłukać go czystą wodą.
3. Pozostawić filtr do wyschnięcia przed jego ponownym montażem i użyciem.
4. Zamontować filtr na miejsce.

Pływak i obudowa filtra (rys. G)

Regularnie czyścić pływak (20) i obudowę filtra (21) miękką ściereczką i sprawdzać te elementy pod kątem uszkodzeń. W przeciwnym razie mogą nie działać prawidłowo.

ŚRODOWISKO



Uszkodzone i/lub niepotrzebne urządzenia elektryczne lub elektroniczne podlegają zbiórce w odpowiednich punktach recyklingu.

Tylko kraje WE

Nie wyrzucać elektronarzędzi wraz z odpadami z gospodarstw domowych. Zgodnie z dyrektywą 2012/19/WE dotyczącą zużytych urządzeń elektrycznych i elektronicznych oraz jej wdrożeniem do prawodawstwa krajowego, elektronarzędzia, które już nie nadają się do użytku, podlegają oddzielnej zbiórce oraz utylizacji w sposób przyjazny dla środowiska.

GWARANCJA

Produkty VONROC są wytwarzane zgodnie z najwyższymi standardami jakości i producent udziela gwarancji na wady materiałowe i wady wykonania na okres wymagany prawem, licząc od dnia zakupu. Jeśli wystąpi usterka produktu w tym okresie spowodowana wadą materiałową i/lub wadą wykonania, proszę bezpośrednio skontaktować się ze sprzedawcą VONROC.

Następujące okoliczności powodują unieważnienie gwarancji:

- Przeprowadzono naprawy lub modyfikacje narzędzia w serwisie innym lub autoryzowany lub podjęto ich próbę;
- Normalne zużycie nie jest objęte gwarancją;
- Narzędzie było używane niezgodnie z przeznaczeniem, źle z nim się obchodzono lub było nieprawidłowo konserwowane;
- Użyto części zamiennych innych niż oryginalne.

Niniejsza gwarancja to wyłączna gwarancja producenta i nie obowiązują żadne inne wyrażone ani dorozumiane gwarancje. Nie obowiązują żadne inne wyrażone ani dorozumiane gwarancje o zakresie przekraczającym niniejszą gwarancję, co obejmuje dorozumiane gwarancje przydatności do sprzedaży i przydatności do określonego celu. W żadnym przypadku firma VONROC nie ponosi odpowiedzialności za straty przypadkowe lub wynikowe. Zadośćuczynienie sprzedawcy jest ograniczone do naprawy lub wymiany niezgodnych urządzeń lub części.

Produkt i instrukcja obsługi podlegają zmianom. Dane techniczne podlegają zmianom bez uprzedzenia.

1. SÄKERHETSANVISNINGAR

Läs de medföljande säkerhetsvarningarna, de kompletterande säkerhetsvarningarna och anvisningarna. Underlåtenhet att följa säkerhetsvarningarna och anvisningarna kan orsaka elstöt, brand och/eller allvarlig skada. Spara säkerhetsvarningarna och anvisningarna som framtida referensmaterial.

Följande symboler används i användarhandboken eller på produkten:



Läs användarhandboken.



Anger risk för personskada, dödsfall eller skada på verktyget om anvisningarna i denna handbok inte följs.



Risk för elstöt.



Ta genast ut strömkontakten från strömkåblan om strömkabeln skadas samt vid rengöring och underhåll.



Klass II-maskin - dubbel isolering - du behöver ingen jordad kontakt.



Om temperaturen på materialet överstiger 40 °C finns det risk för brand.



Kassera inte produkten i olämpliga containrar.



Produkten uppfyller gällande säkerhetsnormer i EU-direktiven.

SÄKERHETSANVISNINGAR

DENNA APPARAT KAN ANVÄNDAS AV BARN FRÅN 8 ÅR OCH PERSONER MED NEDSATT FYSISK ELLER PSYKISK FÖRMÅGA ELLER BRISTANDE ERFARENHET ELLER KUNSKAP, OM DE ÖVERVAKAS ELLER FÅR INSTRUKTIONER OM HUR APPARATEN ANVÄNDS PÅ ETT SÄKERT SÄTT OCH ÄR MEDVETNA OM RISKERNA. BARN FÅR INTE LEKA MED APPARATEN. RENGÖRING OCH ANVÄNDARUNDERHÅLL SKA INTE UTFÖRAS AV BARN UTAN ÖVERVAKNING. OM EN STRÖMSLADD ÄR SKADAD MÅSTE DEN BYTAS AV TILLVERKAREN, TILLVERKARENS SERVICEOMBUD ELLER

LIKNAVANDE KVALIFICERAD PERSONAL FÖR ATT UNDVIKA FARA. KONTAKTEN MÅSTE DRAS UT UR ELUTTAGET INNAN APPARATEN RENGÖRS ELLER UNDERHÅLLS.

- 1) Håll ditt arbetsområde rent: Stökiga arbetsområden och arbetsbänkar är en källa till skada.
- 2) Dammsugaren ska monteras ordentligt före användning.
- 3) Använd endast förlängningssladdar som är godkända för utomhusbruk (när dammsugaren används utomhus) och se till att de alltid är i gott skick.
- 4) Skydda elkablarna och se särskilt till att de inte krossas, dras eller skadas av kanter, vassa delar eller rörliga delar eller skadas av frätande vätskor.
- 5) Använd inte en skadad förlängningssladd. Gör inga permanenta eller tillfälliga reparationer på själva kabeln.
- 6) Använd inte en dammsugare som har en skadad elkabel. Låt ett auktoriserat servicecenter installera en ny kabel.
- 7) Fäst inte något annat på uttaget, elkablarna eller förlängningssladden.
- 8) Innan du sätter i dammsugaren i eluttaget, se till att spänningen och uttaget stämmer överens med vad som anges på etiketten bredvid sladden.
- 9) Dra inte enheten i sladden.
- 10) Din maskin ska alltid vara avstängd innan du kopplar ur den från uttaget eller förlängningssladden.
- 11) Stäng av den och koppla ur den från eluttaget innan du lämnar enheten utan tillsyn (även en kort stund). Detta bör också göras om strömmen försvinner.
- 12) Underskatta inte dess kraft. Stå alltid balanserat och stadigt.
- 13) Håll barn och husdjur borta från maskinen. När maskinen är i drift ska alla hålla sig på säkert avstånd.
- 14) Enheten bör inte användas av barn eller personer som inte behärskar enheten eller som inte har läst denna bruksanvisning.
- 15) Användaren av enheten är ansvarig för andras säkerhet när hen använder den.
- 16) Dammsugaren bör endast användas för dess avsedda ändamål.
- 17) Innan du utför något underhåll, justering eller rengöring av dammsugaren, stäng av den,

- koppla ur den från eluttaget och vänta tills motorn stannar.
- 18) Var mycket försiktig när du kontrollerar, rengör eller utför underhåll på enheten och bär tjocka arbetshandskar för att skydda dina händer.
 - 19) Varken säkerhetsanordningarna eller elkablarna ska modifieras eller tas bort från maskinen.
 - 20) När du använder maskinen ska den hållas stadigt och på en stabil yta eller stödjas av kroppen.
 - 21) Arbeta bara i fullt dagsljus eller med lämpligt artificiellt ljus.
 - 22) Vi rekommenderar att du använder någon typ av hörselskydd för dina öron.
 - 23) Om maskinen vibrerar onormalt, stanna motorn och leta efter orsaken omedelbart. Vibrationer betyder vanligtvis ett problem.
 - 24) Dammsugaren ska kontrolleras ordentligt före användning. Använd inte en maskin som inte är i perfekt skick. Om du märker ett problem som kan utgöra en fara för användaren, låt reparera maskinen innan du använder den.
 - 25) Byt ut slitna eller skadade delar av säkerhets-skäl. Använd endast reservdelar som godkänts av tillverkaren. Delar från andra källor än tillver-karen kanske inte passar ordentligt eller kan vara farliga eller orsaka skador. Nätsladden får endast bytas ut av specialiserade kundtjänst-centraler.
 - 26) Använd endast dammsugaren i områden som är torra och skyddade från dåligt väder. Använd den inte utomhus när det regnar.
 - 27) Förvara dammsugaren på ett torrt, rent ställe utom räckhåll för barn.
 - 28) Lämna inte nätsladden liggande när rengöring-en är klar; någon kan snubbla.
 - 29) Var försiktig när du tömmer extremt tunga tankar.
 - 30) För att undvika spontan förbränning, töm tan-ken efter varje användning.
 - 31) Använd inte maskinen för att suga upp lät-tantändliga eller brännbara vätskor, såsom bensin, kopieringspulver eller flyktiga ämnen, och använd inte maskinen i områden där dessa vätskor finns. Sug inte upp syror.
 - 32) Dammsug inte upp material som är giftiga, can-cerframkallande, brännbara eller andra farliga material, såsom asbest, asbestdamm, arsenik, barium, beryllium, bly, bekämpningsmedel eller andra ämnen som är farliga för din hälsa.
 - 33) Extrem försiktighet bör iaktas vid sugning

- av trä- eller kolaska, sot, cement, gips eller gipsskivedamm. Dessa partiklar är extremt fina och kan passera genom filtren som påverkar motorns prestanda eller blåses upp i luften. Vid behov rekommenderar vi därför starkt ett tygfilt-er i kombination med en dammuppsamlingspå-se vid rengöring av dessa typer av material.
- 34) Sug inte upp något som brinner eller smälter, såsom cigaretter, cigarettstumpar, tändstickor eller het aska.
 - 35) Sug aldrig upp saltvatten; det kan förstöra motorn.

SÄRSKILDA SÄKERHETSVARNINGAR FÖR BLÅSNING

- a) Rikta endast luftstrålen mot arbetsområdet. Aldrig mot människor eller djur.
- b) Risk för flygande föremål. Håll kringstående borta från arbetsområdet.
- c) Använd alltid skyddsglasögon när du använder blåsfunctjonen.

Elsäkerhet

Följ alltid säkerhetsföreskrifterna som gäller i ditt land när du arbetar med elverktyg för att minska risken för brand, elstöt och personskada. Läs följande säkerhetsanvisningar och även de medföljande säkerhetsanvisningarna.



Kontrollera alltid så att spänningen på nätet motsvarar den spänning som finns angiven på märkplåten.



Klass II-maskin - dubbel isolering - du behöver ingen jordad kontakt.

Använd jordfelskydd (RCD) om arbete med ett elverktyg i fuktig miljö är oundvikligt. Användning av jordfelsbrytare minskar risken för elstötar.

2. MASKININFORMATION

Avsedd användning

Dammsugaren är avsedd för våt- och torrsugning i hemmet i t.ex. hus, arbetsrum, bil eller garage. Dammsugaren är utrustad med en blåsfunctjon. Den kan användas för att blåsa bort damm och skräp i garage eller på uteplatser och uppfarter.

Enheten är inte avsedd för kommersiellt eller industriellt bruk.

TEKNISKA SPECIFIKATIONER

Modell-nr	VC502AC
Strömspanning	220-240V~
Strömfrekvens	50 - 60 Hz
Ineffekt	1000 W
Kabellängd	5 m
Skyddskategori	IPX4
Sugkraft	16 kPA, 1,5 m ³ /min
Behållarkapacitet ca.	12 l
Användbar volym ca.	5 l
Filter - torr	HEPA-filter
Filter - våt	Skumfilter
Slangsystem	Ø32 mm
Diameter intagsport (19 fig. D)	Ø44 mm
Rekommenderad damppåse	VC802AA
Vikt (inkl. alla tillbehör) ca.	3,6 kg

BESKRIVNING

Siffrorna i texten hänvisar till diagrammen på sidorna 2-4.

1. Srömbrytare
2. Bärhandtag
3. Utsugsuttag
4. Blåsuttag
5. Länkhjul
6. Låsklämma
7. Strömladdsförvaring
8. Förvaring av rör och munstycken
9. Behållare
10. Övre del
11. Slang
12. Handtag
13. Sugrör
14. Golvmunstycke
15. 2-i-1-munstycke
16. Dammuppsamlingspåse
17. HEPA-filter
18. Skumfilter
19. Inloppsport
20. Flottör
21. Filterbur

3. MONTERING



Stäng alltid av maskinen och ta ut strömkontakten från strömkällan innan montering.

1. Tryck på de 4 styrhjul (5) på behållaren (9) och dra åt skruvarna som visas i fig. B. Se till att styrhjul (5) är ordentligt fastsatta.
2. Montera utsugsuttaget (3) på behållaren (9) och dra åt skruvarna som visas i Fig. B.
3. Sätt i filtret. Se till att montera rätt filter, beroende på användning:
 - För torrdammsugning, skjut försiktigt HE-PA-filtret (17) över filterburen (21) och se till att hela buren (21) är täckt enligt fig. C-1.
 - För våtdammsugning, skjut försiktigt skumfiltret (18) över filterburen (21) och se till att hela buren (21) är täckt enligt fig. C-2.
4. Placera den övre delen (10) på behållaren (9) enligt fig. E.
5. Anslut sugslangen (11).
 - För dammsugning, (F-1), anslut sugslangen (11) till utsugsuttaget (3).
 - För blåsning, (F-2), anslut sugslangen (11) till blåsuttaget (4).
6. Ett eller flera sugrör (13) kan monteras på handtaget (12) för att förlänga det (fig. A).
7. Anslut önskat munstycke till handtaget eller sugrören (13).

Golvmunstycke (14)

Golvmunstycket är avsett för våt- och torrsugning i hemmet i t.ex. hus, arbetsrum, bil eller garage.

2-i-1-munstycke (15)

Fogmunstycket är konstruerat för våt- och torrsugning i hemmet, hörn och andra områden som är svåra att komma åt. Borsten är utformad för att dammsuga fasta ämnen från små ytor.

4. ANVÄNDNING



Om dammsugaren råkar välta kan avstängningsflottörmekanismen (20) täcka motorns dammsugaruttag och stoppa sugningen. Om detta händer, ställ bara dammsugaren upprätt och stäng av den tills flottören (20) återgår till sitt normala läge.

Igångsättning (fig. A):

Dammsug inte utan filter!

1. Linda ut sugslangen helt (11).
2. Anslut nätkontakten.
3. Tryck strömbrytaren (1) i läge "ON/1" för att starta dammsugaren.

Avstängning (fig. A):

Tryck strömbrytaren (1) till läge "OFF/0" för att stänga av dammsugaren.

Torr sugning (fig. A, C - F)

Rengör HEPA-filtret (17) regelbundet och efter varje tung användning för att bibehålla sugkraften.



För att undvika att HEPA-filtret (17) blir igensatt rekommenderar vi att du använder en dammuppsamlingspåse (16).



Fint damm, som damm från cement, sot och gips, är för fint för att endast användas med HEPA-filtret (17) och riskerar att komma in i motorn och skada den. Därför rekommenderar vi starkt en dammuppsamlingspåse (16) när du rengör dessa typer av material.



Igensatt dammuppsamlingspåse (16) kan spricka- se därför till att byta ut dammuppsamlingspåsen i tid!

1. Stäng av maskinen (1) och ta bort strömkontakten från strömkällan.
2. Lås upp låsklämmorna (6) och ta bort den övre delen (10).
3. Avlägsna all smuts och skräp från behållaren (9) innan du dammsuger.
4. Skjut försiktigt HEPA-filtret (17) över filterburen (21) och se till att hela buren (21) är täckt enligt fig. C-1.
5. För dammsugning med dammuppsamlingspåse (16):
 - Håll pappkragen tätt och skjut gummiskyddselementet så långt som möjligt på inloppsöppningen (19) enligt fig. D.
 - När allt är på plats, vik ut påsen (16) och placera den runt behållarens (9) innervägar.
6. Sätt tillbaka den övre delen (10) igen och lås låsklämmorna (6).
7. För in ena änden av slangen (11) i utsugsuttaget (3). Linda ut sugslangen helt (11).
8. Anslut nätkontakten.
9. Tryck strömbrytaren (1) i läge "ON/1" för att starta dammsugaren.
10. Maskinen är nu redo att användas för torrdammsugning.
11. Tryck strömbrytaren (1) till läge "OFF/0" för att stänga av dammsugaren.

Våtsugning (fig. A, C, E - G)

Dammsugaren är utrustad med en flottör (20). Sugkraften minskar när den maximala fyllnadsnivån uppnås. Stäng av dammsugaren (1) omedelbart. Ta bort den kontakten från uttaget och töm behållaren (9).



Rengör flottören (20) regelbundet och kontrollera den för skador. I annat fall kan dess funktioner försämrats.



Sträck dig aldrig in i vattnet som ska sugas upp. Risk för elektriska stötar.



Stäng genast av (1) maskinen om det bildas skum eller vätskor tränger ut!



Använd inte en dammuppsamlingspåse (16)!

1. Stäng av maskinen (1) och ta bort strömkontakten från strömkällan.
2. Lås upp låsklämmorna (6) och ta bort den övre delen (10).
3. Ta bort dammuppsamlingspåsen (16), HEPA-filtret (17) och avlägsna all smuts och skräp från behållaren (9) innan du våtdammsuger.
4. Skjut försiktigt skum-filtret (18) över filterburen (21) och se till att hela buren (21) är täckt enligt fig. C-2.
5. Sätt tillbaka den övre delen (10) igen och lås låsklämmorna (6).
6. För in ena änden av slangen (11) i utsugsuttaget (3). Linda ut sugslangen helt (11).
7. Anslut nätkontakten.
8. Tryck strömbrytaren (1) i läge PÅ/1 för att starta dammsugaren.
9. Maskinen är nu redo för våtdammsugning.

- Tryck strömbrytaren (1) till läge AV/0 för att stänga av dammsugaren.
- Lyft upp slangen (11) så att vätskorna rinner ut i behållaren (9).
- Töm behållaren (9) direkt efter sugrengöring eftersom den inte är avsedd att lagra vätska.

Blåsfunktion (fig. A, E - F)



Användning utan filter rekommenderas.



Ta bort all smuts och skräp från behållaren (9) innan du använder blåsfunktionen.



Använd alltid skyddsglasögon när du använder blåsfunktionen.



Risk för flygande föremål. Håll kringstående borta från arbetsområdet.

Din dammsugare är utrustad med en blåsfunktion. Den kan användas för att blåsa bort damm och skräp i garage eller på uteplatser och uppfarter.

- Stäng av maskinen (1) och ta bort strömkontakten från strömkällan.
- Lås upp låsklämmorna (6) och ta bort den övre delen (10).
- Ta bort dammuppsamlingspåsen (16), filtret (17, 18) och avlägsna all smuts och skräp från behållaren (9) innan du blåser.
- Sätt tillbaka den övre delen (10) igen och lås låsklämman (6).
- För in ena änden av slangen (11) i utsugsuttaget (4) på maskinens ovandel. Linda ut sugslangen helt (11).
- Anslut nätkontakten.
- Tryck strömbrytaren (1) i läge "ON/1" för att starta dammsugaren.
- Maskinen är nu redo att blåsa damm och skräp.
- Tryck strömbrytaren (1) till läge AV/0 för att stänga av dammsugaren.

Avsluta (fig. A)

- Stäng av maskinen (1) och ta ut strömkontakten.
- Ta bort den övre delen (10) och töm behållaren (9).
- Rengör maskinen med en mjuk trasa.

- Förvara nätkabeln och tillbehöret vid maskinen. Förvara apparaten på en torr plats.

5. UNDERHÅLL



Stäng alltid av maskinen och ta ut strömkontakten från strömkällan innan rengöring och underhåll.

Rengör maskinens hus regelbundet med en mjuk trasa, helst efter varje gång du använder maskinen. Se till att ventilationsöppningarna är fria från damm och smuts. Ta bort mycket ihållande smuts med en mjuk trasa fuktad med tvållösning. Använd inte lösningsmedel som bensen, alkohol, ammoniak osv. Sådana kemikalier skadar de syntetiska komponenterna.

Filter (fig. A)



För optimal prestanda rekommenderas att byta filter regelbundet (17,18) beroende på användning.

- Ta försiktigt bort HEPA-filtret (17) eller skumfiltret (18).
- Använd en mild tvål- och vattenlösning för att rengöra filtret och skölj därefter med rent vatten.
- Låt filtret lufttorka innan du installerar och använder det igen.
- Sätt tillbaka filtret.

Flottör och filterbur (fig. G)

Rengör flottören (20) och filterburen (21) regelbundet med en mjuk trasa och kontrollera för skador. I annat fall kan dess funktion försämmas.

MILJÖ



Felaktig och/eller kasserad elektrisk eller elektronisk utrustning måste lämnas in på lämpliga återvinningsstationer.

Endast för EU-länder

Kassera inte elverktyg i hushållsavfall. Enligt den europeiska riktlinjen 2012/19/EG om kasserad elektrisk och elektronisk utrustning och dess tillämpning i nationell rätt måste elverktyg som inte längre är användbara samlas in separat och kasseras på ett miljövänligt sätt.

GARANTI

VONROC-produkter är utvecklade enligt högsta kvalitetsstandard och garanteras fria från defekter i både material och utförande under den period som lagen föreskriver från och med inköpsdatumet. Om produkten skulle utveckla fel under denna period på grund av defekt material och/eller utförande, kontakta då VONROC direkt.

Följande omständigheter är undantagna från denna garanti:

- Reparationer och/eller ändringar har gjorts eller försökts utföras på maskinen av obehöriga servicecenter;
- Normalt slitage;
- Verkyget har missbrukats, använts på fel sätt eller underhållits felaktigt;
- Reservdelar som inte är original har använts.

Detta utgör den enda garantin som företaget ger antingen uttryckt eller underförstått. Det finns inga andra garantier uttryckta eller underförstådda som sträcker sig bortom detta, inklusive de underförstådda garantierna för säljbarhet och lämplighet för ett visst syfte. Under inga omständigheter ska VONROC hållas ansvarigt för indirekta skador eller följdskador. Återförsäljarnas åtgärder ska begränsas till reparation eller byte av enheter eller delar som inte uppfyller kraven.

**Produkten och användarhandboken kan ändras.
Specifikationerna kan ändras utan förvarning.**

1. SIKKERHEDSANVISNINGER

Læs de vedlagte sikkerhedsadvarsler, de yderligere sikkerhedsadvarsler og vejledningen. Hvis sikkerhedsadvarslerne og vejledningen ikke følges, kan det resultere i elektrisk stød, brand og/eller alvorlige personskader. Gem sikkerhedsadvarslerne og vejledningen til fremtidig brug.

Følgende symboler anvendes i brugervejledningen eller på produktet:



Læs brugervejledningen.



Angiver risiko for personskade, dødsfald eller beskadigelse af værktøjet i tilfælde af manglende overholdelse af anvisningerne i denne vejledning.



Risiko for elektrisk stød.



Tag øjeblikkeligt netstikket ud af stikkontakten, hvis netkablet bliver beskadiget, samt under rengøring og vedligeholdelse.



Klasse II-maskine - Dobbeltisoleret - Du har ikke brug for et jordstik.



Hvis materialets temperatur overstiger 40 °C, er der risiko for brand.



Bortskaf ikke produktet i uegnede beholdere.



Produktet er i overensstemmelse med de gældende sikkerhedsstandarder i EU-direktiverne.

SIKKERHEDSBEMÆRKNINGER

DETTE APPARAT KAN ANVENDES AF BØRN PÅ 8 ÅR OG DEROVER SAMT AF PERSONER MED NEDSATTE FYSISKE, SENSORISKE ELLER MENTALE EVNER ELLER MANGLENDE ERFARING OG VIDEN, HVIS DE HOLDES UNDER OPSYN ELLER HAR FÅET VEJLEDNING I AT BRUGE APPARATET PÅ EN SIKKER MÅDE OG FORSTÅR DE DERMED FORBUNDNE RISICI. BØRN MÅ IKKE LEGE MED APPARATET. RENGØRING OG BRUGERVEDLIGEHOJDELSE MÅ IKKE UDFØRES AF BØRN UDEN OPSYN.

HVIS FORSYNINGSLEDNINGEN ER BESKADIGET, SKAL DEN UDSKIFTES AF PRODUCENTEN, DENS SERVICEAGENT ELLER LIGNENDE KVALIFICEREDE PERSONER FOR AT UNDGÅ FARER. STIKKET SKAL TRÆKKES UD AF STIKKONTAKTEN INDEN RENGØRING ELLER VEDLIGEHOJDELSE AF APPARATET.

- 1) Hold dit arbejdsområde rent: Rodede arbejdsområder og arbejdsbænke er en kilde til personskade.
- 2) Støvsugeren skal monteres korrekt inden brug.
- 3) Brug kun forlængerledninger, der er godkendt til udendørs brug (når støvsugeren bruges udenfor), og sørg for, at de altid er i god stand.
- 4) Beskyt strømkablerne, og sørg især for, at de ikke bliver mast, trukket eller beskadiget af kanter, skarpe stykker eller bevægelige dele, og at de ikke bliver beskadiget af ætsende væsker.
- 5) Anvend ikke en beskadiget forlængerledning. Foretag ikke permanente eller midlertidige reparationer af selve kablet.
- 6) Brug ikke en støvsuger, der har en beskadiget strømlledning. Få et nyt kabel installeret af et autoriseret servicecenter.
- 7) Fastgør ikke andet til stikkontakten, strømledningerne eller forlængerledningen.
- 8) Inden du slutter støvsugeren til stikkontakten, skal du sørge for, at spændingen og stikkontaktens krav svarer til det, der er angivet på mærkaten ved siden af ledningen.
- 9) Træk ikke i enheden ved ledningen.
- 10) Din maskine skal altid være slukket, før du tager stikket ud af stikkontakten eller forlængerledningen.
- 11) Inden du efterlader enheden uden opsyn (selv i en kort periode), skal du slukke den og tage stikket ud af stikkontakten. Dette skal også gøres, hvis der er strømafbrydelse.
- 12) Undervurder ikke dens effekt. Hav altid en afbalanceret og stabil holdning.
- 13) Hold børn og kæledyr væk fra maskinen. Når maskinen er tændt, skal alle holde sig på en sikker afstand.
- 14) Enheden bør ikke bruges af børn eller personer, der ikke er fortrolige med enheden, eller som ikke har læst denne brugsvejledning.
- 15) Brugeren af enheden er ansvarlig for andres sikkerhed under brugen.

- 16) Støvsugeren bør kun bruges til det tilsigtede formål.
- 17) Før du udfører nogen form for vedligeholdelse, justering eller rengøring af støvsugeren, skal du slukke for den, tage stikket ud af stikkontakten og vente på, at motoren stopper.
- 18) Vær meget forsigtig, når du kontrollerer, rengør eller udfører vedligeholdelse på enheden, og brug tykke arbejdshandsker for at beskytte dine hænder.
- 19) Hverken sikkerhedsanordningerne eller strømledningerne skal ændres eller fjernes fra maskinen.
- 20) Når du bruger maskinen, skal den holdes stabil og være på en stabil overflade eller understøttes af kroppen.
- 21) Arbejd kun i fuldt dagslys eller med passende kunstig belysning.
- 22) Vi anbefaler, at du bruger en form for høreværn til dine ører.
- 23) Hvis maskinen vibrerer unormalt, skal du stoppe motoren og lede efter årsagen med det samme. Vibrationer er normalt ensbetydende med et problem.
- 24) Støvsugeren skal kontrolleres korrekt inden hver brug. Brug ikke en maskine, der ikke er i perfekt stand. Hvis du bemærker et problem, der kan udgøre en fare for brugeren, skal du få maskinen repareret, før du bruger den.
- 25) Af sikkerhedsmæssige årsager skal du udskifte slidte eller beskadigede dele. Brug kun reservedele, der er godkendt af producenten. Dele fra andre kilder end producenten passer muligvis ikke ordentligt eller kan være farlige eller forårsage personskader. Strømledningen kan kun udskiftes af specialiserede kundeservicecentre.
- 26) Brug kun støvsugeren på områder, der er tørre og beskyttet mod dårligt vejr. Brug den ikke udenfor, når det regner.
- 27) Opbevar støvsugeren et tørt sted uden for børns rækkevidde.
- 28) Lad ikke strømledningen blive liggende, når rengøringen er afsluttet, da nogen kan risikere at snuble.
- 29) Vær forsigtig, når du tømmer meget tunge tanke.
- 30) For at undgå spontan forbrænding bør du tømme tanken efter hver brug.
- 31) Brug ikke denne maskine til at støvsuge brændbare eller letantændelige væsker såsom benzin, kopmaskinepulver eller flygtige stoffer, og brug

ikke maskinen på områder, hvor disse væsker er til stede. Støvsug ikke syrer op.

- 32) Støvsug ikke materialer, der er giftige, kræftfremkaldende eller brændbare, eller andre farlige materialer, såsom asbest, asbeststøv, arsen, barium, beryllium, bly, pesticider eller andre stoffer, der er farlige for dit helbred.
- 33) Du skal være yderst forsigtig ved støvsugning af træ- eller trækulasker, sod, cement, gips eller gipspladestøv. Disse partikler er ekstremt fine og kan passere gennem filtrene og påvirke motorens ydeevne eller blive blæst ud i luften. Hvis det er nødvendigt, anbefaler vi derfor kraftigt at bruge et stoffilter i kombination med en støvsamlingspose ved rengøring af disse typer materialer.
- 34) Støvsug ikke noget op, der brænder eller gløder, såsom cigaretter, cigaretskodder, tændstikker eller varm aske.
- 35) Støvsug aldrig saltvand op, da det kan ødelægge motoren.

SPECIFIKKE SIKKERHEDSADVARSLER FOR BLÆSNING

- a) Ret kun udblæsningsluft mod arbejdsområdet. Aldrig mod mennesker eller dyr.
- b) Risiko for flyvende genstande. Tilskuere skal holde sig på afstand af arbejdsområdet.
- c) Bær altid beskyttelsesbriller, inden du bruger blæsefunktionen.

El-sikkerhed

Når du bruger el-maskiner, skal du altid overholde de gældende sikkerhedsbestemmelser i dit land for at reducere risikoen for brand, elektrisk stød og personskader. Læs følgende sikkerhedsanvisninger samt de medfølgende sikkerhedsanvisninger.



Kontroller altid, at strømforsyningens spænding stemmer overens med spændingen på ydelsesskiltmærket.



Klasse II-maskine - Dobbeltisoleret - Du har ikke brug for et jordstik.

Hvis det ikke kan undgås at bruge et maskinværktøj i et fugtigt miljø, bør du anvende en forsyning, der er beskyttet af en fejlstrømsafbryder (RCD). Brugen af en RCD reducerer risikoen for elektrisk stød.

2. MASKINOPLYSNINGER

Tilsigtet brug

Støvsuger er beregnet til husholdningsbrug som våd- og tørstøvsuger, f.eks. i hjemmet, arbejdsrummet, bilen eller garagen. Støvsuger er udstyret med en blæsefunktion. Den kan bruges til at blæse støv og rester ud af garager eller fra terrasser og indkørsler.

Enheden er ikke velegnet til kommerciel eller industriel brug.

TEKNISKE SPECIFIKATIONER

Model nr.	VC502AC
Netspænding	220-240V~
Netfrekvens	50-60 Hz
Indgangseffekt	1000 W
Kabellængde	5 m
Beskyttelseskategori	IPX4
Sugekraft	16 kPA, 1,5 m ³ /min
Beholderkapacitet ca.	12 L
Nyttigt volumen ca.	5 L
Filter - tørt	HEPA-filter
Filter - vådt	Skumfilter
Slangesystem	Ø32 mm
Diameter indsugningsport (19 fig. D)	Ø44 mm
Anbefalet støvpose	VC802AA
Vægt (inkl. alt tilbehør) ca.	3,6 kg

BESKRIVELSE

Tallene i teksten henviser til diagrammerne på side 2-4.

1. Tænd/sluk-kontakt
2. Bærehåndtag
3. Støvsugerport
4. Blæserport
5. Styrehjul
6. Låseklampe
7. Opbevaring af elledning
8. Opbevaring af rør og mundstykker
9. Beholder
10. Topvalg
11. Slange

12. Håndtag
13. Sugerør
14. Gulvmundstykke
15. 2-i-1 mundstykke
16. Støvsamlingspose
17. HEPA-filter
18. Skumfilter
19. Indsugningsport
20. Flyder
21. Filterholder

3. MONTERING



Før monteringen skal du altid slukke for maskinen og trække netstikket ud af kontakten.

1. Pres de 4 styrehjul (5) på beholderen (9) og stram skruerne som vist i fig. B. Sørg for, at styrehjulene (5) sidder godt fast.
2. Saml støvsugerporten (3) på beholderen (9) og stram skruerne som vist i fig. B.
3. Påmonter filteret. Sørg for at montere det korrekte filter, afhængigt af applikationen:
 - Ved tørstøvsugning skal du forsigtigt skubbe HEPA-filteret (17) over filterholderen (21), mens du sørger for, at hele holderen (21) er dækket, som vist i fig. C-1.
 - Ved vådstøvsugning skal du forsigtigt skubbe skumfilteret (18) over filterholderen (21), mens du sørger for, at hele holderen (21) er dækket, som vist i fig. C-2.
4. Placer topdelen (10) på beholderen (9) som vist på fig. E.
5. Tilslut sugeslangen (11).
 - Ved støvsugning (fig. F-1) skal du slutte sugeslangen (11) til støvsugerporten (3).
 - Ved blæsning (fig. F-2) skal du slutte sugeslangen (11) til blæserporten (4).
6. Der kan sættes et eller flere sugerør (13) på håndtaget (12) for at forlænge det (fig. A).
7. Slut det ønskede mundstykke til håndtaget eller sugerørene (13).

Gulvmundstykke (14)

Gulvmundstykket er designet til husholdningsbrug som våd- og tørstøvsuger, f.eks. i hjemmet, arbejdsrummet eller garagen.

2-i-1 mundstykke (15)

Revnemundstykket er designet til våd- og tørstøvsugning i husholdningen af kanter og andre områder, der er svært tilgængelige. Børsten er designet til at støvsuge faste stoffer fra små områder.

4. BETJENING



Hvis støvsugeren ved et uheld vælter, kan flydermekanismen (20) muligvis dække motorens støvsugerport og stoppe sugningen. Hvis dette sker, skal du bare placere støvsugeren lodret og slukke, indtil flyderen (20) vender tilbage til sin normale position.

Sådan tændes den (fig. A):



Støvsug ikke uden et filter!

1. Rul sugeslangen (11) helt ud.
2. Tilslut netstikket.
3. Tryk tænd/sluk-kontakten (1) ind i positionen "ON/1" for at starte din støvsuger.

Sådan slukkes den (fig. A):

Tryk tænd/sluk-kontakten (1) ind i positionen "OFF/0" for at slukke din støvsuger.

Tørstøvsugning (fig. A, C - F)



Rengør HEPA-filteret (17) regelmæssigt for at opretholde sugekraften



For at undgå tilstopning af HEPA-filteret (17) anbefaler vi yderligere brug af en støvopsamlingspose (16).



Fint støv, såsom støv fra cement, sod og gips, er for fint til at blive brugt sammen med kun HEPA-filteret (17) og risikerer at komme ind i motoren og beskadige det. Derfor anbefaler vi kraftigt at bruge en støvopsamlingspose (16) under rengøring af denne type materialer.



En tilstoppet støvopsamlingspose (16) kan sprænge - sørg derfor for at udskifte støvopsamlingsposen til tiden!

1. Sluk (1) for maskinen, og træk netstikket ud af kontakten.

2. Lås op for metallåseklampen (6) og fjern topdelen (10).
3. Inden støvsugning skal du fjerne alt snavs og alle rester fra beholderen (9).
4. Skub forsigtigt HEPA-filteret (17) ned over filterholderen (21), mens du sørger for, at hele holderen (21) er dækket, som vist i fig. C-1.
5. Ved støvsugning med støvopsamlingspose (16):
 - Hold stramt i papkraven, og skub det beskyttende gummelement så langt som muligt på indsugningsporten (19) som vist i fig. D.
 - Når alt er på plads, skal du folde posen (16) ud og placere den omkring beholderens (9) indervægge.
6. Sæt topdelen (10) på igen, og lås klampen (6).
7. Indsæt den ene ende af slangen (11) i støvsugerporten (3). Rul sugeslangen (11) helt ud.
8. Tilslut netstikket.
9. Tryk tænd/sluk-kontakten (1) ind i positionen "ON/1" for at starte din støvsuger.
10. Maskinen er nu klar til tørstøvsugning.
11. Tryk tænd/sluk-kontakten (1) ind i positionen "OFF/0" for at slukke din støvsuger.

Våd støvsugning (fig. A, C, E - G)



Støvsugeren er udstyret med en flyder (20). Sugeeffekten falder, når det maksimale fyldningsniveau er nået. Sluk øjeblikkeligt for støvsugeren (1). Træk stikket ud af stikkontakten, og tøm beholderen (9).



Rengør flyderen (20) med jævne mellemrum, og se den efter for skader. Ellers kan dens funktion blive forringet.



Ræk aldrig ned i det vand, der skal suges op. Fare for elektrisk stød.



Sluk øjeblikkeligt for maskinen (1), hvis der dannes skum, eller der slipper væske ud!



Brug ikke en støvopsamlingspose (16)!

1. Sluk (1) for maskinen, og træk netstikket ud af kontakten.
2. Lås op for metallåseklampen (6) og fjern topdelen (10).

3. Inden vådstøvsugning skal du fjerne støvopsamlingsposen (16), HEPA-filteret (17) og fjerne alt snavs og alle rester fra beholderen (9).
4. Skub forsigtigt skumfilteret (18) ned over filterholderen (21), mens du sørger for, at hele holderen (21) er dækket, som vist i fig. C-2.
5. Sæt topdelen (10) på igen, og lås klampen (6).
6. Indsæt den ene ende af slangen (11) i støvsugerporten (3). Rul sugeslangen (11) helt ud.
7. Tilslut netstikket.
8. Tryk tænd/sluk-kontakten (1) ind i positionen "ON/1" for at starte din støvsuger.
9. Maskinen er nu klar til vådstøvsugning.
10. Tryk tænd/sluk-kontakten (1) ind i positionen "OFF/0" for at slukke din støvsuger.
11. Hæv slangen (11), så væsken drænes ned i beholderen (9).
12. Tøm beholderen (9) øjeblikkeligt efter sugning, da den ikke er beregnet til at opbevare væsker.

Blæsefunktion (fig. A, E - F)



Drift uden brug af filter anbefales.



Fjern alt snavs og alle rester fra beholderen (9), inden du bruger blæsefunktionen.



Bær altid beskyttelsesbriller, inden du bruger blæsefunktionen.



Risiko for flyvende genstande. Tilskuere skal holde sig på afstand af arbejdsområdet.

Din støvsuger er udstyret med en blæsefunktion. Den kan bruges til at blæse støv og rester ud af garager eller fra terrasser og indkørsler.

1. Sluk (1) for maskinen, og træk netstikket ud af kontakten.
2. Lås op for metallåseklampen (6) og fjern topdelen (10).
3. Inden blæsning skal du fjerne støvopsamlingsposen (16), filteret (17, 18) og fjerne alt snavs og alle rester fra beholderen (9).
4. Sæt topdelen (10) på igen, og lås klampen (6).
5. Indsæt den ene ende af slangen (11) i blæserporten (4) bag på maskinen. Rul sugeslangen (11) helt ud.

6. Tilslut netstikket.
7. Tryk tænd/sluk-kontakten (1) ind i positionen "ON/1" for at starte din støvsuger.
8. Maskinen er nu klar til at blæse støv og rester.
9. Tryk tænd/sluk-kontakten (1) ind i positionen "OFF/0" for at slukke din støvsuger.

Afslut drift (fig. A)

1. Sluk (1) for maskinen, og træk stikket ud.
2. Fjern topdelen (10), og tøm beholderen (9).
3. Rengør maskinen med en blød klud.
4. Opbevar netkablet og tilbehøret ved maskinen. Opbevar apparatet i et tørt rum.

5. VEDLIGEHOLDELSE



Før rengøring og vedligeholdelse skal du altid slukke for maskinen og trække netstikket ud af kontakten.

Rengør maskinbeklædningerne regelmæssigt med en blød klud, helst efter hver anvendelse. Sørg for, at der ikke er støv eller snavs i ventilationsåbningerne. Fjern snavs, der sidder meget godt fast, med en blød klud, der er fugtet i sæbevand. Brug ikke opløsningsmidler, som f.eks. benzin, sprit, ammoniak osv. Kemikalier som disse beskadiger de syntetiske komponenter.

Filtere (fig. A)



For optimal ydeevne anbefales det regelmæssigt at skifte filterne (17,18) afhængigt af anvendelsesniveauet.

1. Fjern forsigtigt HEPA-filteret (17) eller skumfilteret (18).
2. Brug en mild sæbe- og vandopløsning til at rengøre filteret, og skyl derefter med rent vand.
3. Lad filteret lufttørre inden installation og brug igen.
4. Geninstaller filteret.

Flyder og filterholder (fig. G)

Rengør flyderen (20) og filterholderen (21) regelmæssigt med en blød klud, og se den efter for skader. Ellers kan dens funktion blive forringet.

MILJØ



Defekte og/eller bortskaffede elektriske og elektroniske apparater skal afleveres på en passende genbrugsstation.

Kun for lande i EU

Maskinværktøj må ikke bortskaffes sammen med husholdningsaffald. Ifølge EC-direktiv 2012/19/EU om affald af elektrisk og elektronisk udstyr og dets gennemførelse i den nationale lovgivning skal maskinværktøjer, der ikke længere anvendes, afleveres separat og bortskaffes på en miljøvenlig måde.

GARANTI

VONROC-produkter er udviklet til de højeste kvalitetsstandarder og er garanteret fri for defekter i både materialer og udførelse i den periode, der er retsligt angivet fra datoen for det originale køb. Hvis produktet skulle udvikle fejl i denne periode på grund af defekt materiale og/eller udførelse, bedes du kontakte VONROC direkte.

Følgende omstændigheder er udelukket fra denne garanti:

- Uautoriserede servicecentre har foretaget eller gjort forsøg på at foretage reparationer og/eller ændringer på maskinen;
- Normal slitage;
- Værktøjet er blevet misbrugt, brugt forkert eller ikke passende vedligeholdt;
- Der er anvendt ikke-originale reservedele.

Dette udgør den eneste garanti, virksomheden har givet, enten udtrykt eller underforstået. Der er ingen andre garantier, udtrykt eller underforstået, som strækker sig ud over denne, herunder de underforståede garantier for salgbarhed og egnethed til et bestemt formål. Under ingen omstændigheder skal VONROC holdes ansvarlig for tilfældige skader eller følgeskader. Forhandlerens retsmidler skal være begrænset til reparation eller udskiftning af enheder eller dele, der ikke overholder kravene.

Produktet og brugervejledningen er genstand for ændringer. Specifikationer kan ændres uden yderligere varsel.

1. BIZTONSÁGI UTASÍTÁSOK

Olvassa el az összes mellékelt biztonsági figyelmeztetést. A figyelmeztetések és utasítások be nem tartása áramütéshez, tűz keletkezéséhez vagy akár súlyos személyi sérüléshez vezethet. Őrizze meg a biztonsági figyelmeztetéseket és utasításokat későbbre is.

A használati útmutatóban és a terméken a következő jelölésekkel találkozhat:



Olvassa el a használati útmutatót.



A jelen útmutató utasításainak be nem tartása esetén balesetveszély, életveszély vagy a szerszám károsodásának veszélyét jelöli.



Áramütés veszélye.



Azonnal húzza ki a hálózati csatlakozódugót, ha a kábel megsérült, amikor takarít és, ha karbantartást végez.



II. érintésvédelmi osztályú gép – kettős szigetelés: földvezeték nélküli csatlakozó aljzatról is használható.



Ha az anyag hőmérséklete meghaladja a 40 °C-ot, tűzveszély áll fenn.



A terméket hulladékként ne tegye arra nem alkalmas konténerbe.



A termék megfelel az európai irányelvek releváns biztonsági követelményeinek.

BIZTONSÁGI TUDNIVALÓK

A KÉSZÜLÉKET 8 ÉVES VAGY ANNÁL IDŐSEBB GYERMEKEK, VALAMINT CSÖKKENT FIZIKAI, ÉRZÉKSZERV VAGY MENTÁLIS KÉPESSÉGEKKEL RENDELKEZŐ SZEMÉLYEK, VAGY MEGFELELŐ TAPASZTALAT- TAL ÉS TUDÁSSAL NEM RENDELKEZŐ SZEMÉLYEK CSAK FELÜGYELET MELLETT HASZNÁLHATJÁK, ILL. HA MEGFELELŐ UTASÍTÁSOKAT KAPTAK A KÉSZÜLÉK BIZTONSÁGOS HASZNÁLATÁHOZ ÉS MEGÉRTETTÉK A KAPCSOLÓDÓ VESZÉLYEKET. A KÉSZÜLÉK NEM GYERMEKEK KEZÉBE

VALÓ JÁTÉKSZER. A TISZTÍTÁSÁT ÉS KARBANTARTÁSÁT GYERMEK FELÜGYELET NÉLKÜL NEM VÉGEZHETI. HA A HÁLÓZATI CSATLAKOZÓDUGÓ MEGSÉRÜLT, A VESZÉLYHELYZETEK ELKERÜLÉSE ÉRDEKÉBEN KI KELL CSERÉLTETNI A GYÁRTOVAL, MEGBÍZOTT SZERVIZZEL VAGY MÁS, HASONLÓAN KÉPZETT SZAKEMBERREL. A KÉSZÜLÉK TISZTÍTÁSA VAGY KARBANTARTÁSA MIELŐTT A DUGÓT KI KELL HÚZNI AZ ALJZATBÓL.

- 1) Tartsa tisztán a munkaterületet: A zsúfolt munkaterületek és munkapadok sérülésforrást jelentenek.
- 2) A porszívót használat előtt megfelelően össze kell szerelni.
- 3) Csak kültéri használatra engedélyezett hosszabbítókat használjon (ha a porszívót kint használja), és ügyeljen arra, hogy azok mindig jó állapotban legyenek.
- 4) Óvja az elektromos kábeleket, és különösen ügyeljen arra, hogy ne nyomja össze, ne húzza meg vagy ne sértsék meg élek, éles darabok vagy mozgó alkatrészek, és ne károsítsák maró hatású folyadékok.
- 5) Ne használjon sérült hosszabbítót. Ne végezzen állandó vagy ideiglenes javításokat magán a kábelben.
- 6) Ne használjon olyan porszívót, amelynek elektromos vezetéke sérült. Szereltesse be új kábelt egy hivatalos szervizközpontban.
- 7) Ne csatlakoztasson semmit az aljzathoz, az elektromos kábelekhez vagy a hosszabbítóhoz.
- 8) Mielőtt csatlakoztatná a porszívót az elektromos hálózathoz, győződjön meg arról, hogy a feszültség és a csatlakozóaljzat követelményei megegyeznek a vezeték melletti címkén feltüntetettekkel.
- 9) Ne a kábelnél fogva húzza a készüléket.
- 10) A készüléket mindig ki kell kapcsolni, mielőtt kihúzná a konnektorból vagy a hosszabbító kábelből.
- 11) Mielőtt felügyelet nélkül hagyná a készüléket (akár rövid időre is), kapcsolja ki, és húzza ki a konnektorból. Ezt áramkimaradás esetén is meg kell tenni.
- 12) Ne becsülje alá az erejét. Mindig legyen kiegyensúlyozott és stabil testtartása.
- 13) Tartsa távol a gyerekeket és a háziállatokat a készüléktől. Amikor a készülék üzemel, min-

- denki maradjon biztonságos távolságban.
- 14) A készüléket nem használhatják gyermekek vagy olyan személyek, akik nem ismerik a készüléket, vagy akik nem olvasták el ezt a használati útmutatót.
 - 15) A készülék használója felelős mások biztonságáért a használat során.
 - 16) A porszívót csak rendeltetésszerűen szabad használni.
 - 17) Mielőtt bármilyen karbantartási, beállítási vagy tisztítási műveletet végezne a porszívón, kapcsolja ki, húzza ki a konnektorból, és várja meg, amíg a motor leáll.
 - 18) Legyen nagyon óvatos a készülék ellenőrzése, tisztítása vagy karbantartása során, és viseljen vastag kesztyűt a kezei védelme érdekében.
 - 19) Sem a biztonsági berendezéseket, sem az elektromos vezetékeket nem szabad módosítani vagy eltávolítani a készülékből.
 - 20) Használat közben a készüléket szilárdan és stabil felületen kell tartani, vagy a testével meg kell támasztani.
 - 21) Csak teljes természetes napfényben vagy megfelelő mesterséges megvilágítás mellett dolgozzon.
 - 22) Javasoljuk, hogy használjon valamilyen hallásvédőt a fülére.
 - 23) Ha a készülék rendellenesen rezeg, állítsa le a motort, és azonnal keresse meg az okot. A rezgések általában problémát jelentenek.
 - 24) A porszívót minden használat előtt megfelelően ellenőrizni kell. Ne használjon nem tökéletes állapotú készüléket. Ha olyan problémát észlel, amely veszélyt jelenthet a felhasználóra nézve, használat előtt javíttassa meg a készüléket.
 - 25) Biztonsági okokból cserélje ki a kopott vagy sérült alkatrészeket. Csak a gyártó által jóváhagyott cserealkatrészeket használjon. Előfordulhat, hogy a gyártótól eltérő forrásból származó alkatrészek nem illeszkednek megfelelően, veszélyesek lehetnek vagy sérüléseket okozhatnak. A tápkábel cseréjét csak erre szakosodott ügyfélszolgálati központok végezhetik.
 - 26) Csak száraz és rossz időjárástól védett helyen használja a porszívót. Ne használja a szabadban, ha esik.
 - 27) A porszívót száraz helyen tárolja gyermekektől távol.
 - 28) Ne hagyja a tápkábelt a padlón a tisztítás befejezése után; valaki megbotolhat benne.
 - 29) Legyen óvatos, amikor rendkívül nehéz tartályokat ürít ki.
 - 30) A spontán égés elkerülése érdekében minden használat után ürítse ki a tartályt.
 - 31) Ne használja ezt a készüléket gyúlékony vagy éghető folyadékok, például benzin, fénymásolópor vagy illékony anyagok felszívására; és ne használja a készüléket olyan helyen, ahol ezek a folyadékok jelen vannak. Ne szívjon fel savakat.
 - 32) Ne porszívózzon fel semmilyen mérgező, rákot okozó, éghető vagy bármilyen más veszélyes anyagot, például azbesztet, azbesztport, arzént, báriumot, berilliumot, ólmot, növényvédő szereket vagy bármely más, az Ön egészségére veszélyes anyagot.
 - 33) Rendkívül körültekintően kell eljárni a fa vagy szén hamu, korom, cement, vakolat vagy gipszkarton por felszívásakor. Ezek a részecskék rendkívül finomak, és átjuthatnak a szűrőkön, ami befolyásolja a motor teljesítményét, vagy a levegőbe kerülhetnek. Ha szükséges, ezért az ilyen típusú anyagok tisztításához erősen javasoljuk a szövetesűrő használatát porgyűjtő zsákkal kombinálva.
 - 34) Ne szívjon fel semmilyen égő vagy parázsló tárgyat, például cigarettát, cigarettacsikket, gyufát vagy forró hamut.
 - 35) Soha ne szívjon fel sós vizet; ez tönkretetheti a motort.

FÚJÁSRA VONATKOZÓ BIZTONSÁGI FIGYELMEZTETÉSEK

- a) A levegőt csak a munkaterületre irányítva fújja. Soha nem emberekre vagy állatokra.
- b) Repülő tárgyak veszélye. Ne engedjen bémészkodókat a munkaterületre.
- c) A fúvó funkció használata előtt mindig vegyen fel védőszemüveget.

Elektromos biztonság

Villamos kisgépek használatakor mindig tartsa be az adott ország tűz és áramütés elleni és egyéb balesetek elkerülését célzó szabályokat. Olvassa el a következő biztonsági utasításokat és a géphez mellékelt munkavédelmi utasításokat is.



Mindig ellenőrizze, hogy a tápellátás megfelel-e az adattáblán feltüntetett feszültségnek.



II. érintésvédelmi osztályú gép – kettős szigetelés: földvezeték nélküli csatlakozó aljzatról is használható.

Ha a szerszámgépet mindenképpen nedves környezetben kell használni, akkor használjon áramvédő kapcsolóval ellátott tápforrást. Az áramvédő kapcsolóval ellátott tápforrás használatával mérsékelhető az elektromos áramütés veszélye.

2. A GÉP ADATAI

Rendeltetése

A porszívó háztartási nedves és száraz porszívózásra szolgál, például házban, dolgozószobában, autóban vagy garázsban. A porszívó fúvó funkcióval van felszerelve. Használható por és törmelék kifújására garázsokból, teraszokról és autóbekjárókról.

A készüléket nem kereskedelmi vagy ipari használatra terveztük.

MŰSZAKI ADATOK

Modellazonosító	VC502AC
Hálózati feszültség	220-240 V
Hálózati frekvencia	50-60 Hz
Felvett teljesítmény	1000 W
Kábelhossz	5 m
Védelmi kategória	IPX4
Szívóerő	16 kPA, 1,5 m3/perc
Tartálykapacitás kb.	12 l
Hasznos térfogat kb.	5 l
Szűrő - száraz	HEPA-szűrő
Szűrő - nedves	Habszűrő
Tömlőrendszer	Ø32 mm
Bemeneti port átmérője (19, D ábra)	Ø44 mm
Ajánlott porzsák	VC802AA
Súly (minden tartozékkal) kb.	3,6 kg

LEÍRÁS

A szövegbeli számok a 2-4 oldal képeire utalnak.

1. Főkapcsoló
2. Hordfogantyú
3. Szívóport
4. Fúvóport
5. Görgők
6. Záróbilinc
7. Csatlakozóvezeték tároló
8. Cső- és fúvókatároló
9. Tartály
10. Felső rész
11. Tömlő
12. Fogantyú
13. Szívócsövek
14. Padlószívófej
15. 2 az 1-ben szívócső
16. Porgyűjtő zsák
17. HEPA-szűrő
18. Habszűrő
19. Bemeneti nyílás
20. Úszó
21. Szűrőrekesz

3. ÖSSZESZERELÉS



Szerelés előtt mindig kapcsolja ki a gépet, és húzza ki a hálózati csatlakozódugót.

1. Nyomja meg a 4 kormánygörgőt (5) a tartályon (9), és húzza meg a csavarokat a B ábra szerint. Győződjön meg arról, hogy a kormánygörgők (5) megfelelően rögzítve vannak.
2. Szerelje a porszívóportor (3) a tartályra (9), és húzza meg a csavarokat a B ábra szerint.
3. Szerelje be a szűrőt. Ügyeljen a megfelelő szűrő felszerelésére, az alkalmazástól függően:
 - Száraz porszívózáshoz óvatosan csúsztassa a HEPA-szűrőt (17) a szűrőrekeszre (21), ügyelve arra, hogy a teljes rekesz (21) le legyen fedve a C-1 ábrán látható módon.
 - Nedves porszívózáshoz óvatosan csúsztassa a habszűrőt (18) a szűrőrekeszre (21), ügyelve arra, hogy a teljes rekesz (21) le legyen fedve a C-2 ábrán látható módon.
4. Helyezze a felső részt (10) a tartályra (9) az E ábra szerint.
5. Csatlakoztassa a szívótömlőt (11).
 - Porszívózáshoz (F-1 ábra) csatlakoztassa a szívótömlőt (11) a porszívó porthoz (3).

- Fúváshoz (F-2 ábra) csatlakoztassa a szívótömlőt (11) a fúvóporthoz (4).
6. Egy vagy több szívócső (13) rögzíthető a fogantyúhoz (12) annak meghosszabbításához (A ábra).
 7. Csatlakoztassa a kívánt fúvókát a fogantyúhoz vagy a szívócsövekhez (13).

Padlószívófej (14)

A padlószívófej háztartási nedves és száraz porszívózásra szolgál, például házban, dolgozószobában vagy garázsban.

2 az 1-ben szívócső (15)

A szívócsövet háztartási száraz porszívózásra, élekre és egyéb nehezen hozzáférhető területekre tervezték. A kefe szilárd anyagok porszívózására szolgál kis területekről.

4. KEZELÉS



Ha a porszívó véletlenül felborul, az elzáró úszó mechanizmus (20) lefedi a motor porszívónyílását és leállíthatja a szívást. Ha ez megtörténik, egyszerűen állítsa fel a porszívót és kapcsolja ki, amíg az úszó (20) vissza nem tér normál helyzetébe.

Bekapcsolás (A ábra):



Ne porszívózzon szűrő nélkül!

1. Tekerje szét teljesen a szívótömlőt (11).
2. Csatlakoztassa a hálózati csatlakozót.
3. Nyomja a főkapcsolót (1) „ON/1” állásba a porszívó elindításához.

Kikapcsolás (A ábra):

Nyomja a főkapcsolót (1) „OFF/0” állásba a porszívó kikapcsolásához.

Száraz porszívózás (A, C-F ábra)



Rendszeresen tisztítsa meg a HEPA-szűrőt (17), hogy fenntartsa a szívóerőt



A HEPA-szűrő (17) eltömődésének elkerülése érdekében javasoljuk egy porgyűjtő zsák (16) használatát.



A finom por, például a cementpor, a korom és a vakolat túl finom ahhoz, hogy csak a HEPA-szűrővel (17) használható legyen, és fennáll annak a veszélye, hogy bejut a motorba, és károsíthatja azt. Ezért az ilyen típusú anyagok tisztításához erősen javasoljuk a porgyűjtő zsák (16) használatát.



Az eltömődött porgyűjtő zsák (16) szétrepedhet – ezért ügyeljen arra, hogy a porgyűjtő zsákot időben cserélje ki!

1. Kapcsolja ki (1) a készüléket és húzza ki a hálózati csatlakozódugót.
2. Oldja ki a rögzítőbilincset (6), és távolítsa el a felső részt (10).
3. Porszívózás előtt távolítson el minden szennyeződést és törmelékét a tartályból (9).
4.
 - Óvatosan csúsztassa a HEPA-szűrőt (17) a szűrőrekeszre (21), ügyelve arra, hogy a teljes rekesz (21) le legyen fedve a C-1 ábrán látható módon.
5. Porgyűjtő zsákkal történő porszívózáshoz (16):
 - Fogja meg szorosan a kartongyűrűt, és csúsztassa a gumi védőelemet, amennyire csak lehetséges, a bemeneti nyílásra (19) a D ábra szerint.
 - Ha minden a helyén van, hajtsa ki a zsákot (16), és helyezze a tartály (9) belső falai köré.
6. Helyezze vissza a felső részt (10), és rögzítse a rögzítőbilincset (6).
7. Dugja be a tömlő (11) egyik végét a porszívó nyílásba (3). Tekerje szét teljesen a szívótömlőt (11).
8. Csatlakoztassa a hálózati csatlakozót.
9. Nyomja a főkapcsolót (1) „ON/1” állásba a porszívó elindításához.
10. A készülék most készen áll száraz porszívózásra.
11. Nyomja a főkapcsolót (1) „OFF/0” állásba a porszívó kikapcsolásához.

Nedves porszívózás (A, C, E-G ábra)



A porszívó úszóval van felszerelve (20). A maximális töltési szint elérésekor a szívóerő csökken. Azonnal kapcsolja ki a porszívót (1). Húzza ki a dugót a kábeltorból, és ürítse ki a tartályt (9).



Rendszeres időközönként tisztítsa meg az úszót (20), és ellenőrizze, hogy nem sérült-e. Ellenkező esetben rosszul működhet.



Soha ne nyúljon a felszíni kívánt vízbe. Áramütés veszélye.



Azonnal kapcsolja ki (1) a gépet, ha hab képződik vagy folyadék távozik!



Ne használjon porgyűjtő zsákot (16)!

- Kapcsolja ki (1) a készüléket és húzza ki a hálózati csatlakozódugót.
- Oldja ki a rögzítőbilincset (6), és távolítsa el a felső részt (10).
- Nedves porszívózás előtt távolítsa el a porgyűjtő zsákot (16), a HEPA-szűrőt (17), és távolítson el minden szennyeződést és törmelékét a tartályból (9).
- Óvatosan csúsztassa a habszűrőt (18) a szűrőrekeszre (21), ügyelve arra, hogy a teljes rekesz (21) le legyen fedve a C-2 ábrán látható módon.
- Helyezze vissza a felső részt (10), és rögzítse a rögzítőbilincset (6).
- Dugja be a tömlő (11) egyik végét a porszívó nyílásba (3). Tekerje szét teljesen a szívótömlőt (11).
- Csatlakoztassa a hálózati csatlakozót.
- Nyomja a főkapcsolót (1) „ON/1” állásba a porszívó elindításához.
- A készülék most készen áll nedves porszívózásra.
- Nyomja a főkapcsolót (1) „OFF/0” állásba a porszívó kikapcsolásához.
- Emelje fel a tömlőt (11), hogy a folyadékok a tartályba (9) folyhssanak.
- A tartályt (9) a szívás tisztítása után azonnal ürítse ki, mert nem folyadékok tárolására szolgál.

Fúvás funkció (A, E-F ábra)



Szűrő nélküli üzemeltetés javasolt.



A fúvó funkció használata előtt távolítson el minden szennyeződést és törmelékét a tartályból (9).



A fúvó funkció használata előtt mindig vegyen fel védőszemüveget.



Repülő tárgyak veszélye. Ne engedjen bámészködőket a munkaterületre.

A porszívó fúvó funkcióval van felszerelve. Használható por és törmelék kifújására garázsokból, teraszokról és autóbefejárókról.

- Kapcsolja ki (1) a készüléket és húzza ki a hálózati csatlakozódugót.
- Oldja ki a rögzítőbilincset (6), és távolítsa el a felső részt (10).
- Fúvás előtt távolítsa el a porgyűjtő zsákot (16), a-szűrőt (17, 18), és távolítson el minden szennyeződést és törmelékét a tartályból (9).
- Helyezze vissza a felső részt (10), és rögzítse a rögzítőbilincset (6).
- Dugja be a tömlő (11) egyik végét a fúvóportba (4) a készülék hátoldalán. Tekerje szét teljesen a szívótömlőt (11).
- Csatlakoztassa a hálózati csatlakozót.
- Nyomja a főkapcsolót (1) „ON/1” állásba a porszívó elindításához.
- A készülék most készen áll por és törmelék kifújására.
- Nyomja a főkapcsolót (1) „OFF/0” állásba a porszívó kikapcsolásához.

A használat befejezése (A ábra)

- Kapcsolja ki (1) a készüléket és húzza ki a csatlakozódugót.
- Távolítsa el a felső részt (10), és ürítse ki a tartályt (9).
- Puha rongydarabbal tisztítsa meg a készüléket.
- Helyezze el a hálózati kábelt és a tartozékokat a készülékben. A berendezést száraz helyen tárolja.

5. KARBANTARTÁS



Tisztítás és karbantartás előtt mindig kapcsolja ki a gépet, és húzza ki a hálózati csatlakozódugót.

A gép burkolatát rendszeresen, lehetőleg minden használat után törölje át puha ronggyal. Ügyeljen arra, hogy a szellőzőnyílások portól és piszoktól mentesek legyenek. Makacs szennyeződésekhez

használjon szappanos vízzel átítatott ruhát. Oldószert, benzint, alkoholt, ammóniát stb. ne használjon. Ezek a vegyszerek kárt tesznek a szintetikus alkatrészekben.

Szűrők (A ábra)



Az optimális teljesítmény érdekében javasolt a szűrők (17,18) rendszeres cseréje a használati szinttől függően.

1. Óvatosan távolítsa el a HEPA- (17) vagy habszűrőt (18).
2. Használjon enyhe szappanos oldatot a szűrő tisztításához, majd öblítse le tiszta vízzel.
3. Hagyja a szűrőt levegőn megszáradni, mielőtt behelyezi és újra használná.
4. Helyezze vissza a szűrőt.

Úszó és szűrőrekesz (G ábra)

Az úszót (20) és a szűrőrekeszt (21) rendszeresen tisztítsa meg egy puha ruhával, és ellenőrizze, hogy nem sérült-e. Ellenkező esetben rosszul működhet.

KÖRNYEZET



A hibás vagy már feleslegessé vált elektromos, elektronikus készülékeket az ezzel foglalkozó gyűjtőpontokon kell leadni.

Csak EU országokban

Elektromos szerszámokat ne dobjon a háztartási hulladékba. Az elektromos és elektronikai hulladékokra vonatkozó, 2012/19/EU európai irányelv és annak a nemzeti törvénykezésbe történő átültetése értelmében az elhasználdott elektromos készülékeket külön kell gyűjteni és környezetbarát módon kell kiselejtezni.

GARANCIA

A VONROC termékei a legmagasabb minőségi normák szerint készülnek, és az eredeti vásárlás napjától számított, törvényileg előírt időtartamig garantáljuk, hogy anyag- és gyártási hibáktól mentesen fognak működni. Ha a termékben ezen időszak alatt bármilyen hiba jelentkezik anyag- és/ vagy gyártási hiba miatt, kérjük, forduljon közvetlenül az Ön VONROC kapcsolattartójához.

A szavatosság nem érvényes a következő körülmények egyikére sem:

- Nem hivatalos szervizközpontok javítást vagy módosítást végeztek (vagy megkíséreltek javítást vagy módosítást végezni) a gépen;
- Normál elhasználódás és kopás;
- A szerszámot erőszakosan vagy nem rendeltetésszerűen használták, vagy a karbantartása nem volt megfelelő;
- Nem eredeti pótalkatrészeket használtak.

A jelen garancia a vállalat által (akár kifejezetten, akár hallgatólagosan) biztosított kizárólagos garancia. Nem léteznek olyan egyéb garanciák (sem kifejezett, sem hallgatólagos garanciák, beleértve az értékesíthetőségre és az adott célra való alkalmasságra vonatkozó hallgatólagos garanciákat is), amelyek a jelen garancia hatókörén túlmutatnak. A VONROC semmilyen esetben sem felelős semmilyen járulékos vagy következményes kárért. A forgalmazók jogorvoslati teendői az előírásoknak nem megfelelő egységek vagy alkatrészek javítására és cseréjére korlátozódik.

A termék és a használati útmutató változtatásának jogát fenntartjuk. A műszaki adatok előzetes bejelentés nélkül változhatnak.

1. BEZPEČNOSTNÍ POKYNY

Přečtěte si přiložené bezpečnostní výstrahy, dodatečné bezpečnostní výstrahy a bezpečnostní pokyny. Nebudete-li dodržovat tyto bezpečnostní výstrahy a pokyny, může dojít k úrazu elektrickým proudem, k vzniku požáru nebo k vážného zranění. Uchovejte tyto bezpečnostní výstrahy a pokyny pro budoucí použití.

V této uživatelské příručce a na tomto výrobku jsou použity následující symboly:



Přečtěte si uživatelskou příručku.



Upozorňuje na nebezpečí zranění osob, ztráty života nebo poškození nářadí, nebudou-li dodržovány pokyny uvedené v tomto návodu.



Nebezpečí úrazu elektrickým proudem.



Ihned odpojte zástrčku napájecího kabelu od síťové zásuvky, dojde-li k jeho poškození nebo provádíte-li čištění a údržbu.



Výrobek třídy II – Dvojitá izolace – Není nutné použití uzemňovacího vodiče.



Pokud teplota materiálu překročí 40 °C, hrozí nebezpečí požáru.



Nelikvidujte tento výrobek do nevhodného kontejneru.



Tento výrobek je vyroben v souladu s platnými bezpečnostními normami, které jsou uvedeny ve směrnících EU.

POZNÁMKY K BEZPEČNOSTI

TOTO ZAŘÍZENÍ SMÍ POUŽÍVAT DĚTI STARŠÍ 8 LET A OSOBY SE SNÍŽENÝMI FYZICKÝMI, SMYSLOVÝMI NEBO MENTÁLNÍMI SCHOPNOSTMI NEBO NEDOSTATKEM ZKUŠENOSTÍ A ZNALOSTÍ POUZE TEHDY, POKUD JSOU POD DOHLEDEM NEBO BYLY POUČENY O BEZPEČNÉM POUŽÍVÁNÍ ZAŘÍZENÍ A POROZUMĚLY SOUVISEJÍCÍM RIZIKŮM. DĚTI ŠI NESMĚJÍ HRÁT S TÍMTO ZAŘÍZENÍM. ČIŠTĚNÍ A ÚDRŽBU NESMĚJÍ PROVÁDĚT DĚTI BEZ DOZORU.

DOJDE-LI K POŠKOZENÍ NAPÁJECÍHO KABELU, MUSÍ BÝT VYMĚNĚN VÝROBCEM, JEHO AUTORIZOVANÝM SERVISEM NEBO PODOBNĚ KVALIFIKOVANOU OSOUBOU, ABY BYLO ZABRÁNĚNO MOŽNÝM RIZIKŮM. PŘED ZAHÁJENÍM ČIŠTĚNÍ NEBO ÚDRŽBY SPOTŘEBIČE MUSÍTE ODPOJIT SÍŤOVOU ZÁSTRČKU ZE ZÁSUVKY.

- 1) Udržujte pracovní prostor v čistotě: Nepořádek v pracovních prostorech a na pracovních stolech představuje možný zdroj zranění.
- 2) Vysavač musíte před použitím správně sestavit.
- 3) Používejte pouze prodlužovací kabely schválené pro venkovní použití (při použití vysavače venku) a vždy se ujistěte, že jsou v dobrém stavu.
- 4) Chraňte elektrické kabely a zejména dohlédněte na to, aby nebyly stlačeny, taženy nebo poškozeny hranami, ostrými částmi nebo pohyblivými částmi; ani nebyly poškozeny žíravými tekutinami.
- 5) Nepoužívejte poškozený prodlužovací kabel. Neprovádějte žádné trvalé ani dočasné opravy na kabelu samotném.
- 6) Nepoužívejte vysavač, který má poškozený elektrický kabel. Nechejte si namontovat nový kabel v autorizovaném servisním středisku.
- 7) Nepřipojujte nic dalšího do zásuvky, k elektrickému kabelu ani k prodlužovacímu kabelu.
- 8) Než zapojíte vysavač do elektrické zásuvky, ujistěte se, že její napětí a parametry odpovídají požadavkům uvedeným na štítku vedle kabelu.
- 9) Netahejte zařízení za kabel.
- 10) Zařízení by mělo být vždy vypnuto, než jej odpojíte ze zásuvky nebo prodlužovacího kabelu.
- 11) Musíte-li ponechat zařízení bez dozoru (i na krátkou dobu), vypněte jej a odpojte od elektrické zásuvky. To byste měli udělat i v případě výpadku napájení.
- 12) Nepodceňujte výkon stroje. Vždy udržujte vyvážený a stabilní postoj.
- 13) Děti a domácí zvířata udržujte v dostatečné vzdálenosti od stroje. Když je stroj v provozu, měli by všichni zůstat v bezpečné vzdálenosti.
- 14) Toto zařízení by neměly obsluhovat děti ani osoby, které s ním nejsou seznámeny nebo si nepřečetly tento návod k obsluze.
- 15) Uživatel zařízení odpovídá za bezpečnost ostatních osob při jeho používání.
- 16) Vysavač smí být používán pouze k zamýšleným účelům.

- 17) Před provedením jakékoliv údržby, nastavení nebo čištění vysavače jej vypněte, odpojte od elektrické zásuvky a počkejte, až se motor zastaví.
- 18) Při kontrole, čištění nebo provádění údržby zařízení buďte velmi opatrní a na ochranu rukou používejte silné pracovní rukavice.
- 19) Bezpečnostní zařízení a elektrické kabely by neměly být upravovány ani odstraňovány ze stroje.
- 20) Při používání by měl být stroj udržován ve stabilní poloze na stabilním povrchu nebo podepírán tělem.
- 21) Pracujte pouze za denního světla nebo s dostatečným umělým osvětlením.
- 22) Doporučujeme, abyste používali nějaký typ ochrany sluchu.
- 23) Pokud stroj neobvykle vibruje, zastavte motor a okamžitě najděte příčinu. Vibrace obvykle znamenají problém.
- 24) Vysavač byste měli pečlivě zkontrolovat před každým použitím. Nepoužívejte stroj, který není v perfektním stavu. Pokud zaznamenáte problém, který by mohl představovat nebezpečí pro uživatele, nechejte si stroj před použitím opravit.
- 25) Z bezpečnostních důvodů vyměňte opotřebované nebo poškozené díly. Používejte výhradně náhradní díly schválené výrobcem. Díly z jiných zdrojů než od výrobce nemusí správně sedět nebo mohou být nebezpečné, popřípadě mohou způsobit zranění. Napájecí kabel smí vyměňovat pouze specializovaná zákaznická servisní střediska.
- 26) Vysavač používejte pouze na místech, která jsou suchá a chráněna před nepříznivým počasím. Nepoužívejte ho venku, když prší.
- 27) Skladujte vysavač na bezpečném místě mimo dosah dětí.
- 28) Po dokončení úklidu nenechávejte napájecí kabel volně ležet; někdo by o něj mohl zakopnout.
- 29) Buďte opatrní při vyprazdňování velmi těžkých nádrží.
- 30) Aby nedošlo k samovznícení, vyprázdněte nádrž po každém použití.
- 31) Nepoužívejte tento stroj k vysávání zápalných nebo hořlavých kapalin, jako je benzín, prášek do kopírek nebo těkavé látky; a nepoužívejte stroj v místech, kde jsou tyto kapaliny přítomny. Nevysávejte kyseliny.
- 32) Nevysávejte žádné materiály, které jsou toxické, karcinogenní, hořlavé, ani jiné nebezpečné

- materiály, jako je azbest, azbestový prach, arsen, baryum, beryllium, olovo, pesticidy nebo jakékoliv jiné látky nebezpečné pro vaše zdraví.
- 33) Při vysávání prachu ze dřeva nebo dřevěného uhlí, sazí, cementu, sádry nebo sádkkartonu je nutné postupovat velmi opatrně. Tyto částice jsou velmi jemné a mohou projít přes filtry a negativně ovlivnit výkon motoru, nebo mohou být vyfukovány zpět do vzduchu. Při vysávání těchto typů materiálů proto důrazně doporučujeme používat látkový filtr v kombinaci se sáčkem na prach.
 - 34) Nevysávejte nic, co hoří nebo doutná, jako jsou cigarety, nedopalky cigaret, zápalky nebo horký popel.
 - 35) Nikdy nevysávejte slanou vodu; mohlo by to zničit motor.

SPECIFICKÁ BEZPEČNOSTNÍ UPOZORNĚNÍ SOUVISEJÍCÍ S FOUKÁNÍM

- a) Proud vzduchu směřujte výhradně na pracovní prostor. Nikdy ne na osoby ani zvířata.
- b) Riziko zranění odlétávajícími předměty. Zamezte přístupu nepovolaných osob do pracovního prostoru.
- c) Před použitím funkce foukání si vždy nasadte ochranné brýle.

Elektrická bezpečnost

Používáte-li elektrická zařízení, vždy dodržujte platné bezpečnostní předpisy, aby bylo omezeno riziko způsobení požáru, úrazu elektrickým proudem nebo zranění osob. Přečtěte si následující bezpečnostní pokyny i přiložené bezpečnostní pokyny.



Vždy zkontrolujte, zda se napájecí napětí sítě shoduje s napájecím napětím na výkonovém štítku.



Výrobek třídy II – Dvojitá izolace – Není nutné použití uzemňovacího vodiče.

Musíte-li používat toto elektrické nářadí ve vlhkém prostředí, používejte v elektrickém obvodu proudový chránič (RCD). Použití proudového chrániče (RCD) snižuje riziko úrazu elektrickým proudem.

2. INFORMACE O ZAŘÍZENÍ

Zamýšlené použití

Vysavač je určen pro domácí mokré a suché vysávání, například v domě, dílně, autě nebo garáži. Vysavač je také vybaven funkcí foukání. Může se používat k vyfoukání prachu a nečistot z garáží nebo teras a příjezdových cest.

Toto zařízení není vhodné pro komerční nebo průmyslové použití.

TECHNICKÉ ÚDAJE

Model č.	VC502AC
Napájecí napětí	220-240 V~
Kmitočet sítě	50-60 Hz
Příkon	1000 W
Délka kabelu	5 m
Kategorie ochrany	IPX4
Sací síla	16 kPa, 1,5 m ³ /min
Kapacita zásobníku přibl.	12 L
Užitečný objem přibl.	5 L
Filtr – suchý	HEPA filtr
Filtr – mokrý	Pěnový filtr
Hadicový systém	Ø32 mm
Průměr vstupního portu (19 na Obr. D)	Ø44mm
Doporučený sáček na prach	VC802AA
Hmotnost (vč. veškerého příslušenství) přibl.	3,6 kg

POPIS

Čísla v následujícím textu odkazují na obrázky na stranách 2-4.

1. Vypínač
2. Rukojeť pro přenášení
3. Vysávací port
4. Vyfukovací port
5. Nábytková kolečka
6. Pojistná svorka
7. Místo pro uložení napájecího kabelu
8. Místo pro uložení trubice a hubice
9. Nádrž
10. Horní část
11. Hadice

12. Rukojeť
13. Sací trubice
14. Podlahová hubice
15. Hubice 2 v 1
16. Sáček na prach
17. HEPA filtr
18. Pěnový filtr
19. Vstupní port
20. Plovák
21. Filtrační klec

3. SESTAVENÍ



Před sestavením náradí vždy vypněte a odpojte zástrčku napájecího kabelu od síťové zásuvky.

1. Nasadte 4 nábytková kolečka (5) na nádrž (9) a utáhněte šrouby, jak je naznačeno na obrázku B. Ujistěte se, že jsou kolečka (5) bezpečně upevněna.
2. Nasadte vysávací port (3) na nádrž (9) a utáhněte šrouby, jak je naznačeno na obrázku B.
3. Nasadte filtr. Použijte správný filtr s ohledem na zamýšlené použití:
 - Pro suché vysávání opatrně nasadte HEPA filtr (17) přes filtrační klec (21) a ujistěte se, že je zakryta celá klec (21), jak je naznačeno na obrázku C-1.
 - Pro mokré vysávání opatrně nasadte pěnový filtr (18) přes filtrační klec (21) a ujistěte se, že je zakryta celá klec (21), jak je naznačeno na obrázku C-2.
4. Nasadte horní část (10) na nádrž (9), jak je naznačeno na obrázku E.
5. Připojte sací hadici (11).
 - Pro vysávání (Obr. F-1) připojte sací hadici (11) na vysávací port (3).
 - Pro foukání (Obr. F-2) připojte sací hadici (11) na vyfukovací port (4).
6. Můžete připojit jednu nebo více sací trubice (13) na rukojeť (12), abyste měli větší dosah (Obr. A).
7. Připojte vhodnou hubici na rukojeť nebo na sací trubice (13).

Podlahová hubice (14)

Podlahová hubice je určena pro domácí mokré a suché vysávání, například v domě, dílně nebo garáži.

Hubice 2 v 1 (15)

Štěrbinová hubice je určena pro domácí mokré a suché vysávání koutů a dalších obtížně přístupných míst. Kartáč je určen k vysávání pevných látek z malých ploch.

4. POUŽITÍ

Pokud se vysavač náhodou převrátí, může uzavírací plovákový mechanismus (20) zakrýt vysávací port motoru a zastavit sání. Pokud k tomu dojde, jednoduše postavte vysavač zpět do svislé polohy a vypněte jej, dokud se plovák (20) nevrátí do své normální polohy.

Zapnutí (Obr. A):

Nevysávejte bez filtru!

1. Rozmotejte celou sací hadici (11).
2. Zapojte síťovou zástrčku.
3. Stisknutím vypínače (1) do polohy „ON/1“ vysavač zapnete.

Vypnutí (Obr. A):

Stisknutím vypínače (1) do polohy „OFF/0“ vysavač vypnete.

Suché vysávání (Obr. A, C - F)

Pravidelně čistěte HEPA filtr (17), abyste zachovali sací výkon



Aby nedocházelo k ucpávání HEPA filtru (17), doporučujeme používat sáček na prach (16).



Jemný prach, jako je prach z cementu, sazí a sádry, je příliš jemný na to, aby mohl být zachytáván pouze HEPA filtrem (17); hrozí jeho proniknutí do motoru a následné poškození motoru. Proto důrazně doporučujeme používat sáček na prach (16) při vysávání těchto typů materiálů.



Ucpaný sáček na prach (16) může prasknout – proto je nutné ho včas vyměnit!

1. Vypněte (1) stroj a odpojte zástrčku síťového kabelu ze zásuvky.

2. Uvolněte pojistnou svorku (6) a sejměte horní část (10).
3. Před vysáváním odstraňte veškeré nečistoty a prach z nádrže (9).
4. Opatrně nasadte HEPA filtr (17) na filtrační klec (21) a ujistěte se, že je zakryta celá klec (21), jak je naznačeno na obrázku C-1.
5. Pro vysávání se sáčkem na prach (16):
 - Pevně uchopte lepenkovou manžetu a nasaďte pryžový ochranný prvek co nejdále na vstupní port (19), jak je naznačeno na obrázku D.
 - Když je vše na svém místě, rozložte sáček (16) a rozprostřete jej okolo vnitřních stěn nádrže (9).
6. Znovu nasadte horní část (10) a zajistěte pojistnou svorku (6).
7. Zasuňte jeden konec hadice (11) do vysávacího portu (3). Rozmotejte celou sací hadici (11).
8. Zapojte síťovou zástrčku.
9. Stisknutím vypínače (1) do polohy „ON/1“ vysavač zapnete.
10. Stroj je nyní připraven k použití pro suché vysávání.
11. Stisknutím vypínače (1) do polohy „OFF/0“ vysavač vypnete.

Mokré vysávání (Obr. A, C, E - G)

Vysavač je vybaven plovákem (20). Sací výkon klesá, když je dosaženo maximální úrovně naplnění. Okamžitě vysavač vypněte (1). Vytáhněte zástrčku ze zásuvky a vyprázdněte nádrž (9).



Čistěte plovák (20) v pravidelných intervalech a kontrolujte, zda není poškozen. Jinak by mohla být jeho funkce narušena.



Nikdy nesahejte do vody, kterou chcete vysávat. Nebezpečí úrazu elektrickým proudem.



Okamžitě vypněte (1) stroj, pokud vzniká pěna nebo uniká kapalina!



Nepoužívejte sáček na prach (16)!

1. Vypněte (1) stroj a odpojte zástrčku síťového kabelu ze zásuvky.

- Uvolněte pojistnou svorku (6) a sejměte horní část (10).
- Před mokrým vysáváním demontujte sáček na prach (16), HEPA filtr (17) a odstraňte veškeré nečistoty a prach z nádrže (9).
- Opatrně nasadte pěnový filtr (18) na filtrační klec (21) a ujistěte se, že je zakryta celá klec (21), jak je naznačeno na obrázku C-2.
- Znovu nasadte horní část (10) a zajistěte pojistnou svorku (6).
- Zasuňte jeden konec hadice (11) do vysávacího portu (3). Rozmotejte celou sací hadici (11).
- Zapojte síťovou zástrčku.
- Stisknutím vypínače (1) do polohy „ON/1“ vysavač zapnete.
- Stroj je nyní připraven k odfukování prachu a nečistot.
- Stisknutím vypínače (1) do polohy „OFF/0“ vysavač vypnete.

Dokončení použití (Obr. A)

- Vypněte (1) stroj a odpojte zástrčku síťového kabelu.
- Sejměte horní část (10) a vyprázdněte nádrž (9).
- Vyčistěte stroj měkkým hadrem.
- Uložte napájecí kabel a příslušenství na stroj, jak je naznačeno na obrázku. Zařízení skladujte v suché místnosti.

5. ÚDRŽBA

Funkce foukání (Obr. A, E-F)



Nedoporučuje se používat zařízení bez filtru.



Před použitím funkce foukání musíte odstranit veškeré nečistoty a prach z nádrže (9).



Před použitím funkce foukání si vždy nasadte ochranné brýle.



Riziko zranění odlétávajícími předměty. Zamezte přístupu nepovolaných osob do pracovního prostoru.



Před čištěním a prováděním údržby nářadí vždy vypněte a vypojte zástrčku napájecího kabelu ze síťové zásuvky.

Pravidelně čistěte kryt zařízení jemným hadříkem, ideálně po každém použití. Ujistěte se, zda nejsou větrací otvory zaneseny prachem nebo jinými nečistotami. Odolnější nečistoty odstraňte pomocí jemného hadříku navlhčeného v mýdlové pěně. Nepoužívejte žádná rozpouštědla, jako jsou benzín, líh, čpavek atd. Takové chemické látky mohou způsobit poškození dílů z umělé hmoty.

Filtry (Obr. A)



Pro optimální výkonnost doporučujeme pravidelně vyměňovat filtry (17, 18) v závislosti na četnosti používání.

Váš vysavač je vybaven funkcí foukání. Může se používat k vyfukání prachu a nečistot z garáží nebo teras a příjezdových cest.

- Vypněte (1) stroj a odpojte zástrčku síťového kabelu ze zásuvky.
- Uvolněte pojistnou svorku (6) a sejměte horní část (10).
- Před foukáním demontujte sáček na prach (16), filtr (17, 18) a odstraňte veškeré nečistoty a prach z nádrže (9).
- Znovu nasadte horní část (10) a zajistěte pojistnou svorku (6).
- Zasuňte jeden konec hadice (11) do vyfukovacího portu (4) na zadní straně stroje. Rozmotejte celou sací hadici (11).
- Zapojte síťovou zástrčku.
- Stisknutím vypínače (1) do polohy „ON/1“ vysavač zapnete.
- Stroj je nyní připraven k odfukování prachu a nečistot.
- Stisknutím vypínače (1) do polohy „OFF/0“ vysavač vypnete.

- Opatrně sejměte HEPA (17) nebo pěnový (18) filtr.
- Použijte roztok vody a slabého mýdla k vyčištění filtru a poté jej opláchněte čistou vodou.
- Před instalací a opětovným použitím nechejte filtr uschnout na vzduchu.
- Znovu nasadte filtr.

Plovák a filtrační klec (Obr. G)

Pravidelně čistěte plovák (20) a filtrační klec (21) měkkým hadrem a zkontrolujte, zda nejsou poškozené. Jinak by mohla být jejich funkce narušena.

OCHRANA ŽIVOTNÍHO PROSTŘEDÍ

Poškozená a likvidovaná elektrická nebo elektronická zařízení musí být odevzdána ve sběrných dvorech, které jsou určeny pro tento účel.

Pouze pro země EU

Nevyhazujte elektrická nářadí do běžného domácího odpadu. Podle evropské směrnice 2012/19/EC týkající se likvidace elektrických a elektronických zařízení a její implementace do vnitrostátního práva, musí být nepoužívaná elektrická nářadí shromažďována odděleně a jejich likvidace musí být provedena tak, aby nedošlo k ohrožení životního prostředí.

ZÁRUKA

Výrobky VONROC jsou vyvíjeny v souladu s požadavky norem na nejvyšší kvalitu a je zaručeno, že po dobu platné záruky, která začíná běžet dnem původního nákupu, nebudou na těchto výrobcích žádné vady materiálu, ani vady způsobené špatným dílenským zpracováním. Dojde-li během tohoto období k závadě v důsledku vady materiálu nebo dílenského zpracování, kontaktujte přímo firmu VONROC.

Z této záruky jsou vyloučeny následující případy:

- Opravy nebo úpravy tohoto zařízení byly provedeny nebo byly provedeny pokusy o jejich provedení v neautorizovaných servisech;
- Běžné opotřebení;
- Toto zařízení bylo nesprávně použito, nevhodně použito nebo nebyla prováděna jeho správná údržba;
- Byly použity neoriginální náhradní díly.

Výše uvedené představuje jedinou záruku poskytovanou společností, ať už výslovnou nebo předpokládanou. Neexistují žádné další záruky, výslovné ani nebo předpokládané, které přesahují rámec zde uvedeného, včetně předpokládaných záruk prodejnosti a vhodnosti pro určitý účel. VONROC v žádném případě neodpovídá za jakékoliv náhodné

nebo následné škody. Opravné prostředky prodejců se omezují výhradně na opravu nebo výměnu nevhovujících jednotek nebo dílů.

Na tomto výrobku a v tomto návodu mohou být prováděny změny. Technické údaje mohou být změněny bez předchozího upozornění.

1. INSTRUCȚIUNI DE SIGURANȚĂ

Citiți avertizările de siguranță, avertizările de siguranță suplimentare și instrucțiunile. Nerespectarea avertizărilor de siguranță poate cauza producerea de electrocutări, incendii și/sau răniri grave. Păstrați avertizările de siguranță și instrucțiunile pentru referințe viitoare.

În manualul de utilizare sau pe produs se utilizează următoarele simboluri:



Citiți manualul de utilizare.



Indică riscul de rănire personală, pierderea vieții sau deteriorarea sculei în cazul în care nu se respectă instrucțiunile din acest manual.



Pericol de electrocutare.



Îndepărtați imediat fișa de la priza de rețea în cazul în care cablul de alimentare se deteriorează în timpul procedurilor de curățare și de întreținere.



Mașină clasa II - Izolație dublă - Nu aveți nevoie de nicio priză împământată.



Dacă temperatura materialului depășește 40°C, există riscul de incendiu.



Nu eliminați produsul în containere neadecvate.



Produsul este în conformitate cu standardele de siguranță aplicabile din directivele europene.

NOTE DE SIGURANȚĂ

ACEST APARAT POATE FI UTILIZAT DE COPIII CU VÂRSTA DE PESTE 8 ANI ȘI DE CĂTRE PERSOANE CU CAPACITĂȚI FIZICE, SENZORIALE SAU MENTALE REDUSE SAU DE CĂTRE PERSOANE LIPSITE DE EXPERIENȚĂ ȘI CUNOȘTINȚE DACĂ ACESTEA AU FOST SUPRAVEGHEATE ȘI INSTRUITE CU PRIVIRE LA UTILIZAREA APARATULUI ÎN CONDIȚII DE SIGURANȚĂ ȘI ÎNȚELEGER RISCURILE PE CARE LE IMPLICĂ. COPIII NU AU VOIE SĂ SE JOACE CU APARATUL.

CURĂȚAREA ȘI OPERAȚIUNILE DE ÎNTREȚINERE NU TREBUIE EFECTUATE DE COPII FĂRĂ SUPRAVEGHERE. ÎN CAZUL ÎN CARE CABLUL DE ALIMENTARE ESTE DETERIORAT, ACESTA TREBUIE ÎNLOCUIT DE CĂTRE PRODUCĂTOR, DE CĂTRE AGENTUL DE SERVICE SAU DE CĂTRE PERSOANE CALIFICATE ÎN MOD SIMILAR, PENTRU A EVITA PERICOLELE. ÎNAINTE DE CURĂȚAREA SAU ÎNTREȚINEREA ACESTUI APARAT, ȘTECHERUL TREBUIE SCOS DIN PRIZĂ.

- 1) Păstrați zona de siguranța lucru curată: Zonele de lucru aglomerate și bancurile de lucru sunt o sursă de rănire.
- 2) Aspiratorul trebuie montat corespunzător înainte de utilizare.
- 3) Folosiți numai prelungitoare omologate pentru utilizare în exterior (când aspiratorul este utilizat în exterior) și asigurați-vă că acestea sunt întotdeauna în stare bună.
- 4) Protejați cablurile electrice și, în special, asigurați-vă că acestea nu sunt strivite, trase sau deteriorate de margini, piese ascuțite sau piese mobile; sau deteriorate de lichide corozive.
- 5) Nu utilizați un cablu prelungitor deteriorat. Nu efectuați nicio reparație permanentă sau temporară a cablului.
- 6) Nu utilizați un aspirator care are un cablu electric deteriorat. Solicitați instalarea unui cablu nou de către un centru de service autorizat.
- 7) Nu atașați nimic altceva la priză, cabluri electrice sau prelungitor.
- 8) Înainte de a conecta aspiratorul la priză, asigurați-vă că tensiunea și cerințele de priză se potrivesc cu cele indicate pe etichetă lângă cablu.
- 9) Nu trageți aparatul de cablu.
- 10) Aparatul trebuie întotdeauna oprit înainte de al deconecta de la priză sau de la cablul prelungitor.
- 11) Înainte de a lăsa aparatul nesupravegheat (chiar și pentru o perioadă scurtă de timp) opriți-l și deconectați-l de la priză. Acest lucru ar trebui făcut și dacă există o întrerupere de alimentare.
- 12) Nu-i subestimați puterea. Mențineți întotdeauna o poziție echilibrată și stabilă.
- 13) Țineți copiii și animalele de companie la distanță de aparat. Când aparatul funcționează, toată lumea ar trebui să stea la o distanță sigură.

- 14)Aparatul nu trebuie utilizat de copii sau de persoane care nu sunt familiarizate cu dispozitivul sau care nu au citit acest manual de instrucțiuni.
- 15)Utilizatorul aparatului este responsabil pentru siguranța celorlalți în timpul utilizării acestuia.
- 16)Aspiratorul trebuie utilizat numai în scopurile prevăzute.
- 17)Înainte de a efectua orice procedură de întreținere, reglare sau curățare a aspiratorului, opriți-l, deconectați-l de la priza electrică și așteptați ca motorul să se oprească.
- 18)Aveți mare grijă când verificați, curățați sau efectuați întreținerea dispozitivului și purtați mănuși groase de lucru pentru a vă proteja mâinile.
- 19)Nici dispozitivele de securitate, nici cablurile electrice nu trebuie modificate sau scoase din aparat.
- 20)Când utilizați aparatul, acesta trebuie menținut staționar și pe o suprafață stabilă sau susținută de corp.
- 21)Lucrați numai în plină zi sau cu lumină artificială adecvată.
- 22)Vă recomandăm să utilizați un anumit tip de protecție auditivă pentru urechi.
- 23)Dacă aparatul vibrează anormal, opriți motorul și căutați imediat cauza. Vibrațiile înseamnă de obicei o problemă.
- 24)Aspiratorul trebuie verificat corespunzător înainte de fiecare utilizare. Nu utilizați un aparat care nu este în stare perfectă. Dacă observați o problemă care ar putea constitui un pericol pentru utilizator, reparați aparatul înainte de a-l utiliza.
- 25)Din motive de siguranță, înlocuiți piesele uzate sau deteriorate. Utilizați numai piesele de schimb recomandate de utilizator. Este posibil ca piese din alte surse decât producătorul să nu se potrivească corect sau să fie periculoase sau să provoace răni. Cablul de alimentare poate fi înlocuit doar la centre specializate de service.
- 26)Utilizați aspiratorul numai în zone uscate și protejate de temperaturii. Nu-l folosiți în exterior când plouă.
- 27)Păstrați aspiratorul într-un loc uscat, la îndemâna copiilor.
- 28)Nu lăsați cablul de alimentare întins după ce ați făcut curățarea; cineva ar putea să se împiedice.
- 29)Aveți grijă la golirea recipientelor extrem de grele.
- 30)Pentru a evita combustia spontană, goliți rezervorul după fiecare utilizare.
- 31)Nu utilizați acest aparat pentru a aspira lichide inflamabile sau combustibile, cum ar fi benzina, pulberea de fotocopiator sau substanțe volatile; și nu utilizați aparatul în zone în care sunt prezente aceste lichide. Nu aspirați acizi.
- 32)Nu aspirați materiale toxice, cancerigene, combustibile sau orice alte materiale periculoase, cum ar fi azbestul, praful de azbest, arsenicul, bariul, beriliul, plumbul, pesticidele sau orice alte substanțe periculoase pentru sănătatea dumneavoastră.
- 33)Trebuie folosită o precauție extremă la aspirarea prafului de lemn sau cărbune, funingine, ciment, ipsos sau praf de gips-carton. Aceste particule sunt extrem de fine și pot trece prin filtrele care afectează performanța motorului sau pot fi suflate în aer. Prin urmare, dacă este necesar, recomandăm folosirea unui filtru de pânză în combinație cu un sac de colectare a prafului atunci când curățați aceste tipuri de materiale.
- 34)Nu aspirați nimic care arde sau fumează, cum ar fi țigări, chibrituri sau cenușă fierbinte.
- 35)Nu aspirați niciodată apă sărată; poate distruge motorul.

AVERTIZĂRI SPECIFICE DE SIGURANȚĂ PRIVIND SUFLAREA

- Evacuare directă a aerului numai în zona de lucru. Niciodată către oameni sau animale.
- Pericol de aruncare a obiectelor. Nu permiteți accesul altor persoane în zona de lucru.
- Purtați întotdeauna ochelari de protecție înainte de a utiliza funcția de suflare.

Instrucțiuni de siguranță privind alimentarea electrică

Atunci când folosiți aparate electrice, respectați întotdeauna reglementările de siguranță aplicabile în țara dumneavoastră, pentru a reduce riscul de incendii, electrocutare și rănire personală. Citiți următoarele instrucțiuni de siguranță și, de asemenea, instrucțiunile de siguranță atașate.



Verificați întotdeauna ca tensiunea de la alimentarea cu energie să corespundă tensiunii de pe plăcuța cu etichetă specificații.



Mașină clasa II - Izolație dublă - Nu aveți nevoie de nicio priză împământată.

În cazul în care este necesară operarea sculei electrice într-o locație cu umiditate, folosiți un dispozitiv de curent rezidual (RCD) cu alimentare protejată. Utilizarea unui RCD reduce riscul de electrocutare.

2. INFORMAȚII CU PRIVIRE LA MAȘINĂ

Domeniul de utilizare

Aspiratorul este destinat utilizării casnice, umede și uscate, de exemplu în casă, camera de lucru, mașină sau garaj. Aspiratorul este prevăzut cu o funcție de suflare. Poate fi folosit pentru a arunca praful și resturile din garaje sau de pe terase și alee.

Aparatul nu este potrivit pentru uz comercial sau industrial.

SPECIFICAȚII TEHNICE

Nr. model	VC502AC
Tensiune rețea	220-240V~
Frecvența prizei	50-60 Hz
Puterea de alimentare	1000W
Lungime cablu	5 m
Categoria de protecție	IPX4
Forța de aspirație	16 kPa, 1,5 m3/min
Capacitate rezervor aprox.	12 L
Volum util aprox.	5 L
Filtru - uscat	Filtru HEPA
Filtru - umed	Filtru spumă
Sistem de furtun	Ø32mm
Diametru orificiu de admisie (19 Fig. D)	Ø44mm
Sac pentru praf recomandat	VC802AA
Greutate (incl. toate accesoriile) aprox.	3,6 kg

DESCRIERE

Numerele din text se referă la diagramele de la paginile 2-4.

1. Comutator de pornire/oprire
2. Mâner de transport
3. Port de aspirare
4. Port de suflare
5. Roți pivotante
6. Clemă de blocare
7. Stocarea cablului de alimentare
8. Depozitarea tuburilor și duzelor
9. Recipient
10. Secțiunea superioară
11. Furtun
12. Parte de manipulare
13. Tuburi de aspirație
14. Duză podele
15. Duză 2 în 1
16. Sac colectare praf
17. Filtru HEPA
18. Filtru spumă
19. Orificiu de admisie
20. Flotor
21. Carcasă de filtrare

3. INSTALAREA



Înainte de asamblare, opriți alimentarea electrică a mașinii și deconectați fișa cablului de alimentare de la priza de rețea.

1. Apăsați cele 4 roți (5) pe carcasa recipient (9) și strângeți șuruburile, așa cum se arată în figura B. Asigurați-vă că roțile (5) sunt bine fixate.
2. Montați orificiul de aspirare (3) pe carcasa recipient (9) și strângeți șuruburile așa cum se arată în figura B.
3. Montați filtrul. Asigurați-vă că montați filtrul corect, în funcție de aplicație:
 - Pentru aspirarea uscată, glisați cu grijă filtrul HEPA (17) peste carcasa filtrului (21) asigurându-vă că întreaga carcasă (21) este acoperită așa cum se arată în Fig. C-1.
 - Pentru aspirarea umedă, glisați cu grijă filtrul spumă (18) peste carcasa filtrului (21) asigurându-vă că întreaga carcasă (21) este acoperită așa cum se arată în Fig. C-2.
4. Așezați secțiunea superioară (10) pe recipient (9) așa cum se arată în Fig. E.
5. Conectați furtunul de aspirație (11).

- Pentru aspirare (Fig. F-1), conectați furtunul de aspirație (11) la orificiul de aspirare (3).
 - Pentru suflare (Fig. F-2), conectați furtunul de aspirație (11) la orificiul de suflare (4).
6. Unul sau mai multe tuburi de aspirație (13) pot fi fixate pe mâner (12) pentru a-l extinde (fig. A).
 7. Conectați duza dorită la adaptorul mânerului mânerul sau tuburile de aspirație (13).

Duză podele (14)

Duza de podea este concepută pentru aspirarea casnică umedă și uscată, de exemplu, în casă, camera de lucru sau garaj.

Duză 2 în 1 (15)

Duza pentru spații înguste este proiectată pentru aspirarea casnică umedă și uscată, pentru margini și alte zone greu accesibile. Peria este concepută pentru aspirarea solidelor din zone mici.

4. OPERAREA




În cazul în care aspiratorul se răstoarnă accidental, mecanismul flotor de oprire (20) poate acoperi orificiul de aspirare a motorului și poate opri aspirația. Dacă se întâmplă acest lucru, pur și simplu puneți aspiratorul în poziție verticală și opriți-l până când flotorul (20) revine la poziția sa normală.

Pornirea (Fig. A):



Nu aspirați fără un filtru!

1. Desfaceți complet furtunul de aspirație (11).
 2. Conectați la rețeaua de alimentare.
 3. Apăsăți comutatorul de alimentare (1) în poziția „PORNIT/1” pentru a porni aspiratorul.
- Oprirea (Fig. A):**
- Apăsăți comutatorul de alimentare (1) în poziția „OPRIT/0” pentru a opri aspiratorul.
- Aspirarea uscată (Fig. A, C – F)**
-  *Curățați regulat filtrul HEPA (17) pentru a menține puterea de aspirare*
1. Opriți (1) mașina și scoateți ștecherul de la rețea.
 2. Deblocați clema de blocare (6) și scoateți secțiunea superioară (10).
 3. Înainte de aspirare, îndepărtați toată murdăria și resturile din recipient (9).
 4. Glisați cu atenție filtrul HEPA (17) în jos peste carcasa filtrului (21) asigurându-vă că întreaga carcasă (21) este acoperită așa cum se arată în Fig. C-1.
 5. Pentru aspirarea cu un sac de colectare a prafului (16):
 - Țineți bine gulerul de carton și glisați elementul de protecție din cauciuc cât mai departe posibil pe orificiul de admisie (19) așa cum se arată în Fig. D.
 - Când totul este la locul său, desfășurați sacul (16) și poziționați-l în jurul pereților interiori ai recipientului (9).
 6. Atașați din nou secțiunea superioară (10) și blocați clemele de blocare (6).
 7. Introduceți un capăt al furtunului (11) în orificiul de aspirare (3). Desfaceți complet furtunul de aspirație (11).
 8. Conectați la rețeaua de alimentare.
 9. Apăsăți comutatorul de alimentare (1) în poziția „PORNIT/1” pentru a porni aspiratorul.
 10. Aparatul este acum gata de utilizare pentru aspirare uscată.
 11. Apăsăți comutatorul de alimentare (1) în poziția „OPRIT/0” pentru a opri aspiratorul.



Pentru a evita ca filtrul HEPA (17) să se înfundă, recomandăm utilizarea suplimentară a unui sac de colectare a prafului (16).



Praful fin, cum ar fi praful din ciment, funingine și tencuială, este prea fin pentru a fi utilizat doar cu filtrul HEPA (17) și riscă să pătrundă în motor și să-l deterioreze. De aceea, recomandăm un sac de colectare a prafului (16) atunci când curățați aceste tipuri de materiale.



Sacul de colectare a prafului înfundat (16) poate exploda - prin urmare, asigurați-vă că înlocuiți sacul de colectare a prafului în timp util!

Aspirarea umedă (Fig. A, C, E - G)

Aspiratorul este prevăzut cu un flotor (20). Puterea de aspirație scade la atingerea nivelului maxim de umplere. Opriti imediat aspiratorul (1). Scoateți ștecherul din priză și goliți recipientul (9).



Curățați flotorul (20) la intervale regulate și verificați-l pentru deteriorări. În caz contrar, funcționarea sa poate fi afectată.



Nu introduceți niciodată mâna în apa pentru aspirat. Pericol de electrocutare.



Opriti imediat (1) aparatul dacă se formează spumă sau dacă ies lichide!



Nu utilizați un sac de colectare a prafului (16)!

- Opriti (1) mașina și scoateți ștecherul de la rețea.
- Deblocați clema de blocare (6) și scoateți secțiunea superioară (10).
- Înainte de aspirarea umedă, scoateți sacul de colectare a prafului (16), filtrul HEPA (17) și îndepărtați toată murdăria și resturile din recipient (9).
- Glisați cu grijă filtrul spumă (18) în jos peste cușca filtrului (21) asigurându-vă că întreaga carcasă (21) este acoperită așa cum se arată în Fig. C-2.
- Atașați din nou secțiunea superioară (10) și blocați clemele de blocare (6).
- Introduceți un capăt al furtunului (11) în orificiul de aspirare (3). Desfaceți complet furtunul de aspirație (11).
- Conectați la rețeaua de alimentare.
- Apăsăți comutatorul de alimentare (1) în poziția „PORNIT/1” pentru a porni aspiratorul.
- Aparatul este acum gata pentru aspirarea umedă.
- Apăsăți comutatorul de alimentare (1) în poziția „OPRIT/0” pentru a opri aspiratorul.
- Ridicați furtunul (11) astfel încât lichidele să se scurgă în recipient (9).
- Goliți recipientul (9) imediat după curățarea prin aspirație, deoarece nu este conceput pentru a depozita lichide.

Funcția de suflare (Fig. A, E - F)

Se recomandă funcționarea fără utilizarea unui filtru.



Îndepărtați toată murdăria și resturile din recipient (9) înainte de a utiliza funcția de suflare.



Purtați întotdeauna ochelari de protecție înainte de a utiliza funcția de suflare.



Pericol de obiecte zburătoare. Nu permiteți accesul altor persoane în zona de lucru.

Aspiratorul dvs. este echipat cu o funcție de suflare. Poate fi folosit pentru a arunca praful și resturile din garaje sau de pe terase și alee.

- Opriti (1) mașina și scoateți ștecherul de la rețea.
- Deblocați clema de blocare (6) și scoateți secțiunea superioară (10).
- Înainte de suflare, scoateți sacul de colectare a prafului (16), filtrul (17, 18) și îndepărtați toată murdăria și resturile din recipient (9).
- Atașați din nou secțiunea superioară (10) și blocați clemele de blocare (6).
- Introduceți un capăt al furtunului (11) în orificiul de suflare (4) din partea din spate a aparatului. Desfaceți complet furtunul de aspirație (11).
- Conectați la rețeaua de alimentare.
- Apăsăți comutatorul de alimentare (1) în poziția „PORNIT/1” pentru a porni aspiratorul.
- Aparatul este acum pregătit pentru suflarea prafului și a resturilor.
- Apăsăți comutatorul de alimentare (1) în poziția „OPRIT/0” pentru a opri aspiratorul.

Terminarea operațiunii (Fig. A)

- Opriti (1) aparatul și deconectați ștecherul.
- Scoateți secțiunea superioară (10) și goliți recipientul (9).
- Curățați aparatul cu o cârpă moale și umedă.
- Depozitați cablul de rețea și accesoriile pe aparat. Depozitați aparatul într-un loc uscat.

5. ÎNTREȚINERE



Înainte de curățare și întreținere, opriți alimentarea electrică a aparatului și deconectați fișa cablului de alimentare de la priza de rețea.

Curățați regulat carcasa cu o cârpă moale, de preferat după fiecare utilizare. Curățați fantele de aerisire de praf și murdărie. Îndepărtați murdăria persistentă cu o cârpă moale înmuiată în clăbuci de săpun. Nu folosiți solvenți precum benzină, alcool, amoniac, etc. Astfel de substanțe chimice vor deteriora componentele sintetice.

Filtre (Fig. A)



Pentru performanțe optime, se recomandă schimbarea regulată a filtrului (17,18) în funcție de nivelul de utilizare.

1. Îndepărtați cu grijă filtrul HEPA (17) sau filtrul spumă (18).
2. Folosiți o soluție ușoară de săpun și apă pentru a curăța filtrul și apoi clătiți cu apă curată.
3. Lăsați filtrul să se usuce la aer înainte de instalare și reutilizare.
4. Reinstalați filtrul.

Flotor și carcasa de filtrare (Fig. G)

Curățați flotorul (20) și carcasa de filtrare (21) în mod regulat cu o cârpă moale și verificați dacă nu există deteriorări. În caz contrar, funcționarea sa poate fi afectată.

MEDIU



Aparatele electrice sau electronice deteriorate și/sau defecte trebuie colectate în locurile de reciclare corespunzătoare.

Numai pentru țările din CE

Nu aruncați echipamentele acționate electric împreună cu gunoiul menajer. Conform Indicației europene 2012/19/CE pentru echipamente electrice și electronice uzate și a implementării sale la nivel național, echipamentele acționate electric scoase din uz trebuie colectate separat și evacuate într-o manieră ecologică.

GARANȚIE

Produsele VONROC sunt realizate la cele mai înalte standarde de calitate și sunt garantate în privința materialelor și a manoperei pentru întreaga perioadă de utilizare în garanție, începând cu data achiziției. În cazul în care produsul prezintă defecțiuni în perioada de garanție din cauza materialului defect și/sau a manoperei, contactați direct VONROC.

Următoarele circumstanțe sunt excluse de la această garanție:

- Reparațiile sau modificările care realizate sau care s-au încercat a fi efectuate de centre de service neautorizate;
- Uzura în condiții normale de utilizare;
- Unealta care a fost abuzată, utilizată într-un mod neglijent sau întreținută în mod inadecvat;
- Folosirea unor piese de schimb neoriginale.

Aceasta acoperă garanția companiei, explicită sau implicită. Nu există alte garanții explicite sau implicite care să se extindă dincolo de cele indicate aici, incluzând garanțiile, vandabilitatea sau adecvarea pentru un anumit scop. În nicio situație, VONROC nu este responsabil pentru daunele incidentale sau consecvențiale. Reparațiile efectuate de reprezentant trebuie să fie limitate la reparațiile sau la înlocuirea unităților sau a pieselor neconforme.

Produsul și manualul de utilizare pot suferi modificări. Specificațiile se pot modifica fără notificare prealabilă.

1. GÜVENLİK TALİMATLARI

Ekteki güvenlik uyarılarını, ilave güvenlik uyarılarını ve talimatları okuyun. Güvenlik uyarılarını ve talimatları izlememek elektrik çarpması, yangın ve/veya ciddi yaralanma ile sonuçlanabilir. Güvenlik uyarılarını ve talimatları ilerde bakmak üzere muhafaza edin.

Aşağıdaki semboller kullanıcı kılavuzunda veya ürün üzerinde kullanılmaktadır:



Kullanıcı kılavuzunu okuyun.



Bu kılavuzdaki talimatlara uymama durumunda bedensel yaralanma, can kaybı veya alete hasat riskini belirtir.



Elektrik çarpması riski.



Sebeke kablosu temizlik ve bakım sırasında hasar görürse sebeke fisini hemen sebekeden çıkarın.



Sınıf II makine- Çift İzolasyon - Topraklanmış prize ihtiyacınız yok.



Malzemenin sıcaklığı 40°C'yi aşarsa, yangın riski vardır.



Ürünü uygun olmayan kaplara atmayın.



Ürün, Avrupa yönergelerindeki geçerli güvenlik standartlarına uygundur.

GÜVENLİK NOTLARI

BU CİHAZ, 8 YAŞ VE ÜZERİ ÇOCUKLAR VE CİHAZIN GÜVENLİ BİR ŞEKİLDE KULLANIMIYLA İLGİLİ DENETİM MEVCUTSA VEYA TALİMAT VERİLDİYSE VE İLGİLİ TEHLİKELERİ ANLIYORSA, FİZİKSEL, DUYUSAL VEYA ZİHİNSEL YETENEKLERİ AZALMIŞ VEYA DENEYİM VE BİLGİ EKSİKLİĞİ OLAN KİŞİLER TARAFINDAN KULLANILABİLİR. ÇOCUKLARIN CİHAZLA OYNAMASINA İZİN VERMEYİN. EĞER GÖZETİM ALTINDA DEĞİLLERSE TEMİZLİK VE KULLANICI BAKIMI ÇOCUKLAR TARAFINDAN YAPILAMAZ. BESLEME KABLOSU ZARAR GÖRDÜYSE, TEHLİKEDEN KAÇINMAK İÇİN ÜRETİCİ,

YETKİLİ SERVİS PERSONELİ VEYA BENZERİ VASIFLI KİŞİLER TARAFINDAN DEĞİŞTİRİLMELİDİR. CİHAZI TEMİZLEMEDEN VEYA BAKIMINI YAPMADAN ÖNCE FİŞİ PRİZDEN ÇIKARILMALIDIR.

- 1) Çalışma alanınızı temiz tutun: Dağınık çalışma alanları ve çalışma tezgahları bir yaralanma kaynağıdır.
- 2) Elektrikli süpürge, kullanımdan önce uygun şekilde monte edilmelidir.
- 3) Yalnızca açık alanda kullanım için onaylanmış uzatma kablolarını kullanın (süpürge dışarıda kullanıldığında) ve her zaman iyi durumda olduklarından emin olun.
- 4) Elektrik kablolarını koruyun ve özellikle kenarlar, keskin parçalar veya hareketli parçalar tarafından ezilmediklerinden, çekilmediklerinden veya hasar görmediklerinden ya da aşındırıcı sıvılar nedeniyle zarar görmemiş olduklarından emin olun.
- 5) Hasarlı bir uzatma kablosunu kullanmayın. Kablunun kendisinde kalıcı veya geçici onarımlar yapmayın.
- 6) Elektrik kablosu hasarlı bir elektrikli süpürgeyi kullanmayın. Yetkili bir servis merkezinde yeni bir kablo taktırın.
- 7) Fişe, elektrik kablolarına veya uzatma kablosuna başka bir şey bağlamayın.
- 8) Elektrikli süpürgeyi elektrik prizine takmadan önce, voltaj ve priz gerekliliklerinin kablunun yanındaki etikette belirtilenlerle eşleştiğinden emin olun.
- 9) Cihazı kablosundan çekerek taşımayın.
- 10) Prizden veya uzatma kablosundan çıkarmadan önce makineniz daima kapatılmalıdır.
- 11) Cihazı çalışır durumda denetimsiz bırakmadan (kısa bir süre için bile olsa) önce kapatın ve fişini elektrik prizinden çekin. Bu, elektrik kesintisi olduğunda da yapılmalıdır.
- 12) Elektrik gücünü küçümsemeyin. Daima dengeli ve sağlam bir duruşu koruyun.
- 13) Çocukları ve evcil hayvanları makineden uzak tutun. Makine çalışırken, herkes güvenli bir mesafede durmalıdır.
- 14) Cihaz, çocuklar veya cihazın nasıl kullanılacağını bilmeyen ya da bu kullanım kılavuzunu okumamış kişiler tarafından kullanılmamalıdır.
- 15) Cihazı kullanırken başkalarının güvenliğinden cihazın kullanıcısı sorumludur.
- 16) Süpürge yalnızca tasarlandığı amaçlar için kullanılmalıdır.

- 17) Elektrikli süpürge üzerinde herhangi bir bakım, ayarlama veya temizleme prosedürü gerçekleştirmeden önce süpürgeyi kapatın, prizinden fişini çekin ve motorun durmasını bekleyin.
- 18) Cihazı kontrol ederken, temizlerken veya bakım yaparken çok dikkatli olun ve ellerinizi korumak için kalın iş eldivenleri giyin.
- 19) Güvenlik cihazları ve elektrik kabloları kesinlikle değiştirilmemeli veya makineden çıkarılmamalıdır.
- 20) Makine kullanım sırasında sabit ve dengeli bir zeminde tutulmalı veya vücut tarafından desteklenmelidir.
- 21) Yalnızca tam gün ışığında veya uygun yapay ışıkla çalışın.
- 22) Kulaklarınız için bir tür işitme koruması kullanmanızı öneririz.
- 23) Makine anormal şekilde titreirse, motoru durdurun ve derhal sebebini araştırın. Titreşimler genellikle bir sorun olduğu anlamına gelir.
- 24) Elektrikli süpürge, kullanımdan önce uygun şekilde kontrol edilmelidir. Mükemmel çalışır durumda olmayan bir makineyi kullanmayın. Kullanıcı açısından tehlike oluşturabilecek bir sorun fark ederseniz, kullanmadan önce makineyi tamir ettirin.
- 25) Güvenlik nedeniyle, aşınmış veya hasarlı parçaları değiştirin. Yalnızca üretici tarafından onaylanan yedek parçaları kullanın. Üretici hariç kaynaklardan alınan parçalar düzgün takılabilebilir veya tehlikeli olabilir a da yaralanmalara neden olabilir. Elektrik kablosu yalnızca uzman servis merkezleri tarafından değiştirilebilir.
- 26) Elektrikli süpürgeyi yalnızca kötü hava koşullarından korunan kuru alanlarda kullanın. Yağmur yağarken açık havada kullanmayın.
- 27) Elektrikli süpürgeyi çocukların erişemeyeceği, kuru bir yerde saklayın.
- 28) Temizleme tamamlandıktan sonra elektrik kablosunu ortalıkta bırakmayın; aksi takdirde birisi takılabılır.
- 29) Aşırı ağır haznelere boşaltırken dikkatli olun.
- 30) Kendiliğinden yanmayı önlemek için, her kullanımdan sonra hazneyi boşaltın.
- 31) Bu makineyi benzin, fotokopi tozu veya uçucu maddeler gibi yanıcı veya yanıcı sıvıları çekmek için kullanmayın ve makinenin bu sıvıların bulunduğu alanlarda kullanılmasını önleyin. Asitleri vakumla çekmek için kullanmayın.
- 32) Asbest, asbest tozu, arsenik, baryum, berilyum, kurşun, böcek ilacı gibi zararlı maddeler veya sağlığınız için tehlikeli olan diğer toksik,

kanserojen, yanıcı veya diğer tehlikeli maddeleri çekmeyin.

- 33) Odun veya odun kömürü külü, kurum, çimento, alçı veya alçıpan tozunu süpürürken çok dikkatli olunmalıdır. Bu partiküller son derece incedir ve motorun performansını etkileyen filtrelerden geçebilir veya havaya üflebilir.
- 34) Sigara, sigara izmariti, kibrit veya sıcak kül gibi köz halindeki veya için için yanan hiçbir şeyi çekmeyin.
- 35) Tuzlu suyu kesinlikle çekmeyin; motora zarar verebilir.

ÜFLEME İÇİN ÖZEL GÜVENLİK UYARILARI

- a) Basınçlı havayı yalnızca çalışma alanına doğrultun. Kesinlikle insanlara veya hayvanlara doğrultmayın.
- b) Uçan nesne riski. Seyircileri iş alanından uzak tutun.
- c) Üfleme işlevini kullanmadan önce daima koruyucu gözlük takın.

Elektrik güvenliği

Elektrikli makineleri kullanırken yangın, elektrik çarpması ve bedensel yaralanma riskini azaltmak için ülkenizde geçerli güvenlik düzenlemelerine her zaman uyun. Aşağıdaki güvenlik talimatlarını ve ayrıca ekteki güvenlik talimatlarını okuyun.



Güç kaynağının voltajının, anma değeri plakası etiketi üzerindeki voltaja karşılık geldiğini her zaman kontrol edin.



Sınıf II makine- Çift İzolasyon - Topraklanmış prize ihtiyacınız yok.

Elektrikli aleti nemli bir konumda çalıştırmak kaçınılmazsa, kaçak akım cihazı (RCD) korumalı bir kaynak kullanın. RCD kullanımı elektrik çarpması riskini azaltır.

2. MAKİNE BİLGİSİ

Kullanım amacı

Elektrikli süpürge, örneğin ev, çalışma odası, araba veya garajda evde ıslak ve kuru süpürme için tasarlanmıştır. Elektrikli süpürge bir üfleme işlevi ile donatılmıştır. Garajlar veya avlular ve araba yollarındaki toz ve döküntüleri üfleme için kullanılabilir. Bu cihaz ticari veya endüstriyel amaçlı kullanım için uygun değildir.

TEKNİK SPESİFİKASYONLAR

Model No.	VC502AC
Şebeke voltajı	220-240V~
Şebeke frekansı	50-60 Hz
Güç girişi	1000W
Kablo uzunluğu	5m
Koruma kategorisi	IPX4
Emiş gücü	16 kPA, 1.5 m3/dak
Hazne kapasitesi yakl.	12 L
Kullanılabilir hacim yakl.	5 L
Filtre - kuru	HEPA filtre
Filtre - ıslak	Köpük filtre
Hortum sistemi	Ø32mm
Çap giriş portu (19 Şekil D)	Ø44mm
Önerilen toz torbası	VC802AA
Ağırlık (tüm aksesuarlar dahil) yakl.	3.6 kg

AÇIKLAMA

Metindeki numaralar sayfa 2-4'deki çizimleri işaret etmektedir.

1. Açma / Kapama anahtarı
2. Taşıma kolu
3. Vakumla çekme portu
4. Üfleme portu
5. Tekerlekler
6. Kilitleme kelepçesi
7. Elektrik kablo muhafazası
8. Boru ve başlık muhafazası
9. Hazne
10. Üst kısım
11. Hortum
12. Tutamak
13. Emme boruları
14. Zemin başlığı
15. 2si 1 arada başlık
16. Toz toplama torbası
17. HEPA filtre
18. Köpük filtre
19. Giriş portu
20. Şamandıra
21. Filtre kafesi

3. MONTAJ



Montajdan önce her zaman makineyi kapatın ve şebeke prizini şebekeden çıkarın.

1. 4 tekerleği (5) hazne (9) üzerine bastırın ve vidaları Şekil B'de gösterildiği gibi sıkın. Tekerleklerin (5) sağlam bir şekilde sabitlendiğinden emin olun.
2. Vakum çekme portunu (3) hazneye (9) monte edin ve vidaları Şekil B'de gösterildiği gibi sıkın.
3. Filtreyi takın. Uygulamaya bağlı olarak doğru filtreyi taktığınızdan emin olun:
 - Kuru vakumlu temizlik için, HEPA filtreyi (17) dikkatlice filtre kafesinin (21) üzerine kaydırın ve tüm kafesin (21) Şekil C-1'de gösterildiği gibi kaplandığından emin olun.
 - Islak vakumlu temizlik için, köpük filtreyi (18) dikkatlice filtre kafesinin (21) üzerine kaydırın ve tüm kafesin (21) Şekil C-2'de gösterildiği gibi kaplandığından emin olun.
4. Üst kısmı (10) Şekil E'de gösterildiği gibi haznenin (9) üzerine yerleştirin.
5. Emme hortumunu (11) takın.
 - Vakumlu temizleme (Şekil F-1) için emme hortumunu (11) vakum portuna (3) takın.
 - Üfleme (Şekil F-2) için emme hortumunu (11) üfleme portuna (4) takın.
6. Tutamağı (12) uzatmak için bir veya daha fazla emme borusu (13) takılabilir (Şekil A).
7. İstenen başlığı tutamağa veya emme borularına (13) takın.

Zemin başlığı (14)

Zemin başlığı, örneğin ev, çalışma odası, araba veya garajda evde ıslak ve kuru süpürme için tasarlanmıştır.

2si 1 arada başlık (15)

Köşe başlığı, evde ıslak ve kuru süpürme sırasında, kenarlar ve erişilmesi zor diğer alanlar için tasarlanmıştır. Fırça, küçük alanlardaki katı nesnelere çekmek için tasarlanmıştır.

4. ÇALIŞTIRMA



Elektrikli süpürge yanlışlıkla devrilirse, kapama şamandıra (20) mekanizması motor vakum portunu kapatabilir ve emmeyi durdurabilir. Böyle bir durumda, süpürgeyi dik tutun ve şamandıra (20) normal konumuna dönene kadar kapatın.

Cihazı çalıştırma (Şekil A):

Filtresi olmadan vakumla çekmeyin!

1. Emme hortumunu (11) tamamen açın.
2. Aletin fişini takın.
3. Elektrikli süpürgeyi çalıştırmak için açma/kapama düğmesini (1) "ON/1" konumuna getirin.

Cihazı kapatma (Şekil A):

Elektrikli süpürgeyi kapatmak için açma/kapama düğmesini (1) "OFF/0" konumuna getirin.

Kuru süpürme (Şekil A, C-F)

Emiş gücünü korumak için HEPA filtresini (17) düzenli olarak ve her yoğun kullanımdan sonra temizleyin.



HEPA filtrenin (17) tıkanmasını önlemek için, ek olarak bir toz toplama torbasının (16) kullanılmasını öneriyoruz.



Çimento, kurum ve alçı tozu gibi ince tozlar, yalnızca HEPA filtre (17) ile kullanılmayacak kadar incedir ve motora girme ve zarar verme riski taşır. Bu nedenle, bu tür malzemeleri temizlerken bir toz toplama torbasını (16) şiddetle tavsiye ederiz.



Tıkalı toz toplama torbası (16) patlayabilir - bu nedenle toz toplama torbasını zamanında değiştirdiğinizden emin olun!

1. Daima makineyi kapatın (1) ve fişini prizden çekin.
2. Metal kilitleme kelepçelerinin (6) kilidini açın ve üst kısmı (10) çıkartın.
3. Süpürmeden önce, haznedeki (9) tüm kir ve kalıntıları temizleyin.
4. HEPA filtresi (17) dikkatlice filtre kafesinin (21) üzerine kaydırın ve tüm kafesin (21) Şekil C-1'de gösterildiği gibi kaplandığından emin olun.
5. Toz toplama torbasıyla (16) süpürmek için:
 - Karton bileziği sıkıca tutun ve lastik koruyucu elemanı Şekil D'de gösterildiği gibi mümkün olduğu kadar giriş portunun (19) üzerine kaydırın.
 - Her şey yerinde olduğunda, katlanmış torbayı (16) açın ve haznenin (9) iç duvarlarına etrafına yerleştirin.

6. Üst kısmı (10) tekrar takın ve kilitleme kelepçelerini (6) kilitleyin. Şekil C2.
7. Hortumun (11) bir ucunu vakumla çekme portuna (3) takın. Emme hortumunu (11) tamamen açın. Şekil D.
8. Aletin fişini takın.
9. Elektrikli süpürgeyi çalıştırmak için açma/kapama düğmesini (1) "ON/1" konumuna getirin.
10. Makine artık temizlik için kullanıma hazırdır.
11. Elektrikli süpürgeyi kapatmak için açma/kapama düğmesini (1) "OFF/0" konumuna getirin.

Islak süpürme (Şekil A, C, E - G)

Elektrikli süpürgeye bir şamandıra (20) mevcuttur. Maksimum doldurma seviyesine ulaşıldığında emiş gücü azalır. Elektrikli süpürgeyi hemen kapatın (1). Fişini prizden çekin ve hazneyi (9) boşaltın.



Şamandırayı (20) düzenli aralıklarla temizleyin ve hasar olup olmadığını kontrol edin. Aksi takdirde işlevi bozulabilir.



Asla emilecek suya doğru uzanmayın. Elektrik çarpması tehlikesi mevcuttur. Köpük oluşursa veya sıvı sızıntısı varsa, makineyi hemen kapatın (1)!



Toz toplama torbası (16) kullanmayın!

1. Daima makineyi kapatın (1) ve fişini prizden çekin.
2. Metal kilitleme kelepçelerinin (6) kilidini açın ve üst kısmı (10) çıkartın.
3. Islak süpürme öncesinde, toz toplama torbasını (16) ve HEPA filtresi (17) çıkartın ve haznedeki (9) tüm kir ve kalıntıları temizleyin.
4. Köpük filtresi (18) dikkatlice filtre kafesinin (21) üzerine kaydırın ve tüm kafesin (21) Şekil C-2'de gösterildiği gibi kaplandığından emin olun.
5. Üst kısmı (10) tekrar takın ve kilitleme kelepçelerini (6) kilitleyin. Şekil C2.
6. Hortumun (11) bir ucunu vakumla çekme portuna (3) takın. Emme hortumunu (11) tamamen açın. Şekil D.
7. Aletin fişini takın.
8. Elektrikli süpürgeyi çalıştırmak için açma/kapama düğmesini (1) "ON/1" konumuna getirin.
9. Makine artık temizlik için kullanıma hazırdır.
10. Elektrikli süpürgeyi kapatmak için açma/kapama düğmesini (1) "OFF/0" konumuna getirin.

11. Hortumu (11) sıvılar hazneye (9) akacak şekilde kaldırın.
12. Sıvıları depolamak için tasarlanmadığı için emerek temizledikten hemen sonra hazneyi (9) boşaltın.

Üfleme işlevi (Şekil A, E-F)



Filtre kullanılmadan çalıştırılması tavsiye edilmez.



Üfleme işlevini kullanmadan önce haznedeki (9) tüm kir ve kalıntıları temizleyin.



Üfleme işlevini kullanmadan önce daima koruyucu gözlük takın.



Uçan nesne riski. Seyircileri iş alanından uzak tutun.

Elektrikli süpürge bir üfleme işlevi ile donatılmıştır. Garajlar veya avlular ve araba yollarında ki tozları ve döküntüleri üfleme için kullanılabilir.

1. Daima makineyi kapatın (1) ve fişini prizden çekin.
2. Kilitleme kelepçesinin (6) kilidini açın ve üst kısmı (10) çıkartın.
3. Üfleme öncesinde, toz toplama torbasını (16) ve filtreyi (17, 18) çıkartın ve haznedeki (9) tüm kir ve kalıntıları temizleyin.
4. Üst kısmı (10) tekrar takın ve kilitleme kelepçesini (56) kilitleyin.
5. Hortumun (11) bir ucunu makinenin üst kısmındaki üfleme portuna (4) takın. Emme hortumunu (11) tamamen açın.
6. Aletin fişini takın.
7. Elektrikli süpürgeyi çalıştırmak için açma/kapama düğmesini (1) "ON/1" konumuna getirin.
8. Makine toz ve pislikleri üfleme için artık hazırdır.
9. Elektrikli süpürgeyi kapatmak için açma/kapama düğmesini (1) "OFF/0" konumuna getirin.

Çalışmayı sonlandırma (Şekil A)

1. Makineyi kapatın (1) ve fişini prizden çekin.
2. Üst kısmı (10) çıkartın ve hazneyi (9) boşaltın.
3. Makineyi yumuşak bir bezle temizleyin.
4. Şebeke kablosunu ve aksesuarı makinede gösterildiği gibi saklayın. Cihazı kuru bir yerde muhafaza edin.

5. BAKIM



Temizlik ve bakımdan önce her zaman makineyi kapatın ve şebeke prizini şebekeden çıkarın.

Makine kaplamalarını yumuşak bir bezle, tercihen her kullanımdan sonra düzenli olarak temizleyin. Havalandırma deliklerinin toz ve kirden arınmış olduğundan emin olun. Çok inatçı kirleri sabun köpüğüyle ıslatılmış yumuşak bir bezle çıkarın. Benzin, alkol, amonyak vs. gibi çözücü maddeleri kullanmayın. Bunlar gibi kimyasallar sentetik bileşenlere zarar verecektir.

Filtreler (Şekil B)



En iyi performans için, kullanım düzeyine bağlı olarak filtrenin (17, 18) düzenli olarak değiştirilmesi önerilir.

1. HEPA (17) veya köpük (18) filtreyi dikkatlice çıkarın.
2. Filtreyi temizlemek için hafif bir sabun ve su solüsyonu kullanın ve ardından temiz suyla durulayın.
3. Tekrar takmadan ve kullanmadan önce filtrenin kurummasını bekleyin.
4. Filtreyi yeniden takın.

Şamandıra ve filtre kafesi (Şekil G)

Şamandırayı (20) ve filtre kafesini (21) yumuşak bir bezle düzenli olarak temizleyin ve hasar olup olmadığını kontrol edin. Aksi takdirde işlevi bozulabilir.

ÇEVRE



Azırlı ve/veya atılmış elektrikli veya elektronik ekipmanların uygun geri dönüşüm konumlarında toplanması gerekir.

Yalnızca AT ülkeleri için

Elektrikli aletleri evsel atık olarak atmayın. Atık Elektrikli ve Elektronik Donanım için Avrupa İlkeleri 2012/19/EU'ya ve bunun yerel hukuk çerçevesinde uygulamasına göre, artık kullanılamaz olan elektrikli aletler ayrı olarak toplanmalı ve çevre dostu bir yolla imha edilmelidir.

GARANTİ

VONROC ürünleri yüksek kalite standartları doğrultusunda geliştirilmiştir ve ilk satın alımdan itibaren kanunen belirlenen süre boyunca materyal ve işçilik açısından kusursuz olacağı garanti edilmektedir. Bu süre zarfında, kusurlu materyal ve/veya işçilikten dolayı üründe herhangi bir arıza meydana gelmesi durumunda, doğrudan VONROC iletişim kurun.

Takip eden durumlar bu garanti kapsamı dışındadır:

- Yetkisiz servis merkezleri tarafından yapılan veya yapılmaya teşebbüs edilen onarım ve/veya değişiklikler.
- Normal aşınma ve eskime.
- Cihazın kötü ve yanlış kullanılması veya cihaza yanlış bakım yapılması.
- Orijinal olmayan yedek parçaların kullanılması

Bu, şirket tarafından açık ya da zımni verilmiş tek garantiyi oluşturur. Belirli bir amaç için ticarete elverişlilik ve uygunluğun zımni garantileri dahil dış görünüşünün ötesine uzanan açık veya zımni başka hiçbir garanti yoktur. VONROC herhangi bir arıza veya dolaylı zarardan hiçbir halükarda sorumlu olmayacaktır. Bayilerin getireceği çözümler uygunsuz birimlerin veya parçaların onarımı veya değiştirilmesiyle sınırlı olacaktır.

Ürün ve kullanıcı kılavuzu değişikliğe tabidir.
Spesifikasyonlar başka bir uyarı olmaksızın değiştirilebilir.



DECLARATION OF CONFORMITY VC502AC - WET & DRY VACUUM CLEANER

- (EN) We declare under our sole responsibility that this product is in conformity with directive 2011/65/EU of the European parliament and of the council of 8 June on the restriction of the use of certain hazardous substances in electrical and electronic equipment is in conformity and accordance with the following standards and regulations:
- (DE) Der Hersteller erklärt eigenverantwortlich, dass dieses Produkt der Richtlinie 2011/65/EU des Europäischen Parlaments und des Rats vom 8. Juni 2011 über die Einschränkung der Anwendung von bestimmten gefährlichen Stoffen in elektrischen und elektronischen Geräten entspricht. den folgenden Standards und Vorschriften entspricht:
- (NL) Wij verklaren onder onze volledige verantwoordelijkheid dat dit product voldoet aan de conform Richtlijn 2011/65/EU van het Europees Parlement en de Raad van 8 juni 2011 betreffende beperking van het gebruik van bepaalde gevaarlijke stoffen in elektrische en elektronische apparatuur en in overeenstemming is met de volgende standaarden en reguleringen:
- (FR) Nous déclarons sous notre seule responsabilité que ce produit est conforme aux standards et directives suivants: est conforme à la Directive 2011/65/EU du Parlement Européen et du Conseil du 8 juin 2011 concernant la limitation d'usage de certaines substances dangereuses dans l'équipement électrique et électronique.
- (ES) Declaramos bajo nuestra exclusiva responsabilidad que este producto cumple con las siguientes normas y estándares de funcionamiento: se encuentra conforme con la Directiva 2011/65/UE del Parlamento Europeo y del Consejo de 8 de junio de 2011 sobre la restricción del uso de determinadas sustancias peligrosas en los equipos eléctricos y electrónicos.
- (PT) Declaramos, sob nossa exclusiva responsabilidade, que este produto está em conformidade com a directiva 2011/65/UE do Parlamento Europeu e com a do conselho de 8 de Junho sobre a restrição da utilização de determinadas substâncias perigosas em equipamento eléctrico e electrónico está em conformidade e de acordo com as seguintes normas e regulamentações:
- (IT) Dichiariamo, sotto la nostra responsabilità, che questo prodotto è conforme alle normative e ai regolamenti seguenti: è conforme alla Direttiva 2011/65/UE del Parlamento Europeo e del Consiglio dell'8 giugno 2011 sulla limitazione dell'uso di determinate sostanze pericolose nelle apparecchiature elettriche ed elettroniche.
- (PL) Deklarujemy na własną odpowiedzialność, że ten produkt spełnia wymogi zawarte w następujących normach i przepisach: jest zgodny z Dyrektywą 2011/65/UE Parlamentu Europejskiego i Rady z dnia 8 czerwca 2011 r. w sprawie ograniczenia stosowania niektórych niebezpiecznych substancji w sprzęcie elektrycznym i elektronicznym.
- (SV) Vi försäkrar under vårt eget ansvar att denna produkt överensstämmer med Europaparlamentets och rådets direktiv 2011/65/EU av den 8 juni om begränsning av användningen av vissa farliga ämnen i elektrisk och elektronisk utrustning och är i överensstämmelse och enlighet med följande standarder och föreskrifter:
- (DA) Vi erklærer under eget ansvar, at dette produkt er i overensstemmelse med Europa-Parlamentets og Rådets direktiv 2011/65/EU af 8. juni om begrænsning af brugen af visse farlige stoffer i elektrisk og elektronisk udstyr og overholder og er i overensstemmelse med følgende standarder og regler:
- (HU) Kizárólagos felelősségünk tudatában kijelentjük, hogy ez a termék megfelel az Európai Parlamentnek és a Tanácsnak az egyes veszélyes anyagok elektromos és elektronikus berendezésekben való alkalmazásának korlátozásáról szóló 2011/65/EU irányelvének (2011. június 8.), valamint a következő szabványoknak és jogszabályoknak:
- (CS) Prohlašujeme na svou výhradní odpovědnost, že tento výrobek splňuje požadavky směrnice 2011/65/EU Evropské rady a parlamentu ze dne 8. června, která se týká omezení používání určitých nebezpečných látek v elektrických a elektronických zařízeních, a splňuje také všechny požadavky následujících norem a předpisů:
- (RO) Declaram sub responsabilitatea exclusivă că acest produs este în conformitate cu Directiva 2011/65/EU a Parlamentului și a Consiliului European din 8 iunie privind restricționarea utilizării anumitor substanțe periculoase în echipamentele electrice și electronice și în conformitate cu următoarele standarde și reglementări:
- (TR) Tek sorumlusu biz olmak üzere bu ürünün Avrupa Parlamentosunun 2011/65/EU ve 8 Haziran 2011 tarihli konseyin elektrikli ve elektronik ekipmanlarda belirlenmiş tehlikeli malzeme kullanımının kısıtlanması hakkındaki talimatları ile birlikte aşağıda belirtilen standart ve yönergelere uygun ve uyumlu olduğunu beyan ederiz:

EN 60335-1: 2012+A11:2014+A13:2017, EN 60335-2-2: 2010+A11:2012+A1:2013, EN 62233:2008, EN 55014-1:2017, EN 55014-2:2015, EN 61000-3-2: 2014, EN 61000-3-3:2013, 2014/35/EU, 2014/30/EU, 2011/65/EU, 2012/19/EU

Zwolle, 01-03-2022

H.G.F Rosberg
CEO

VONROC - Lingenstraat 6 - 8028 PM Zwolle - The Netherlands



VONROC®
BUILD YOUR FUTURE

©2022 VONROC
WWW.VONROC.COM

2203-31