



VONROC®

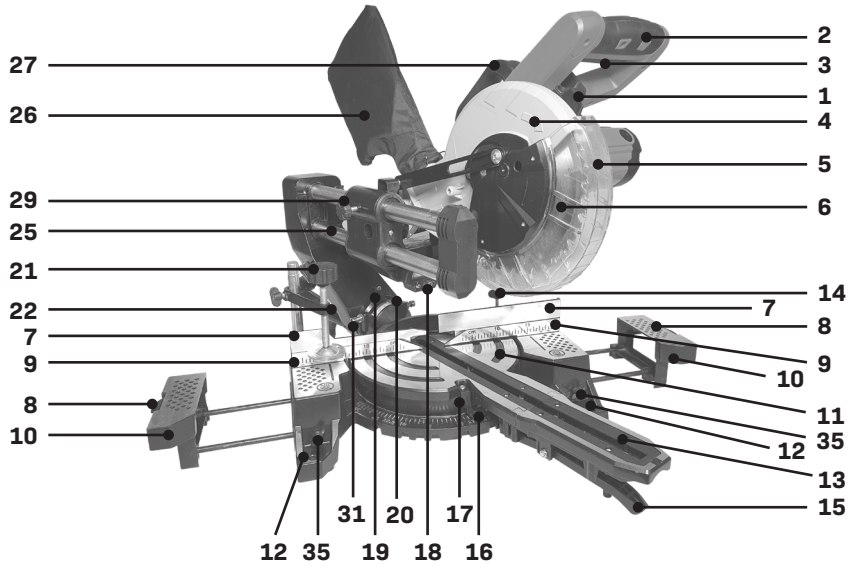
BUILD YOUR FUTURE

COMPACT SLIDING MITRE SAW MS504AC

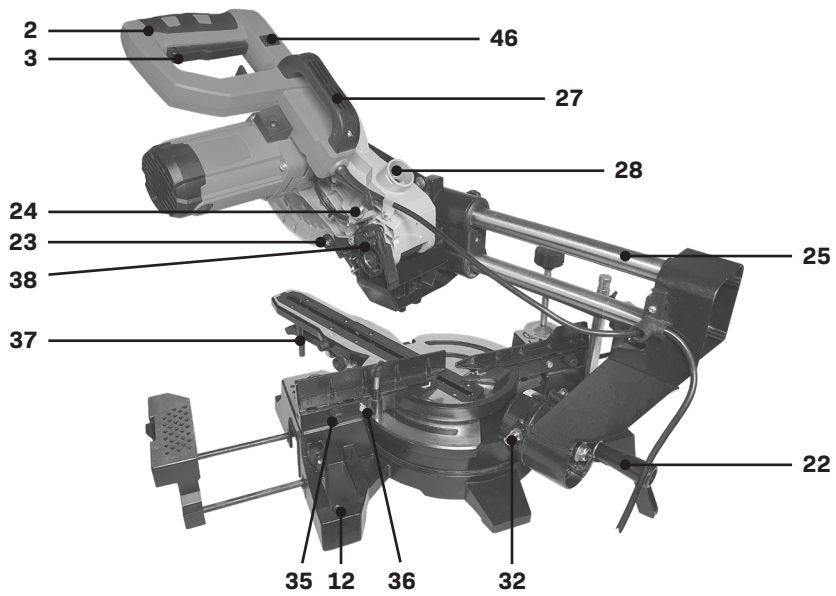


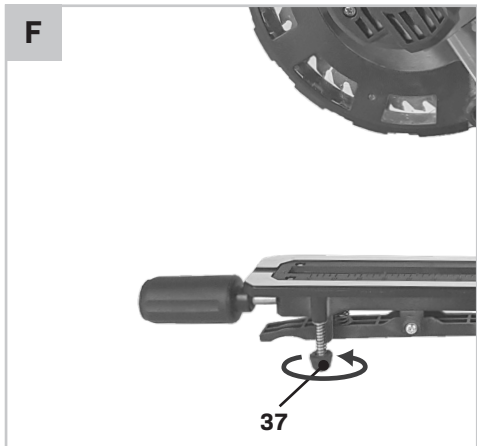
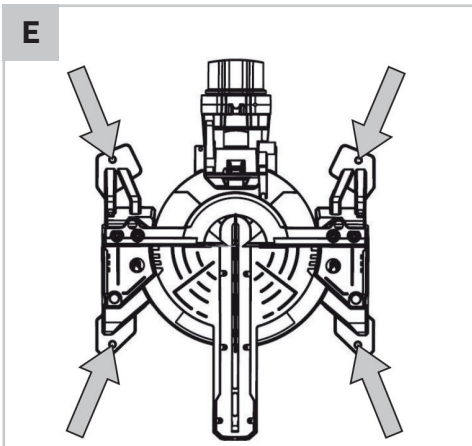
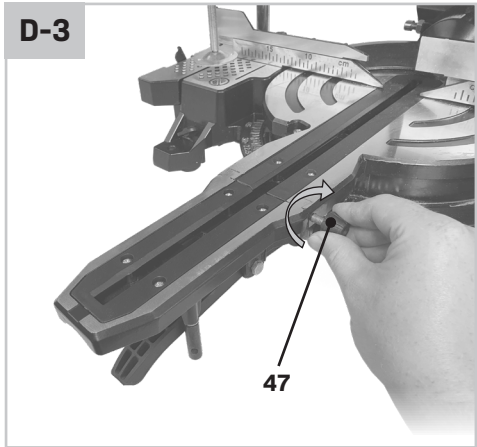
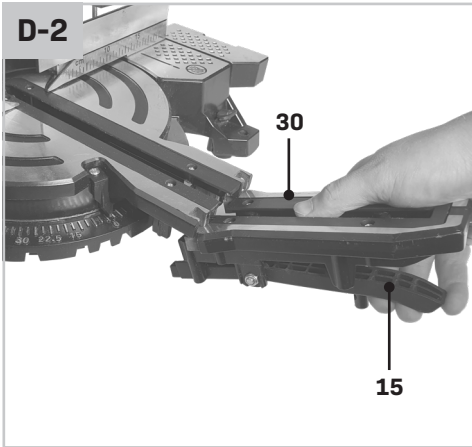
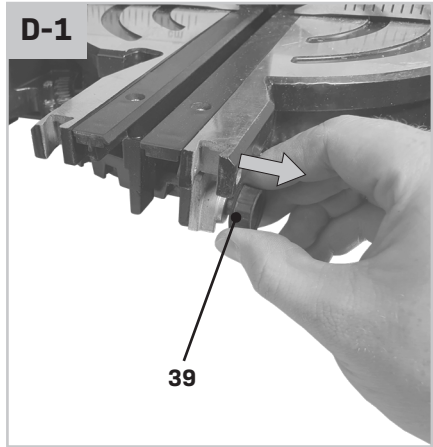
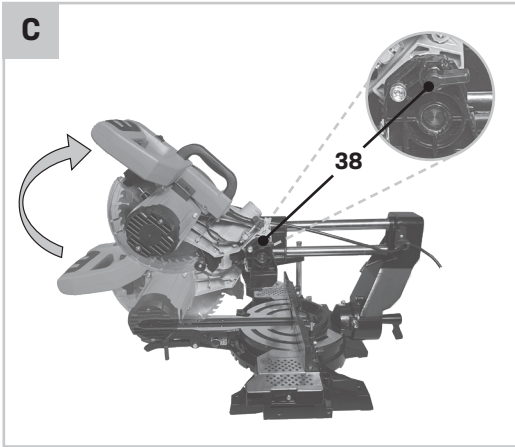
EN	Original Instructions	08
DE	Übersetzung Der Originalbetriebsanleitung	20
NL	Vertaling van de oorspronkelijke gebruiksaanwijzing	34
FR	Traduction de la notice originale	48
ES	Traducción del manual original	62
IT	Traduzione delle istruzioni originali	75
SV	Bruksanvisning i original	89
DA	Original vejledning	101
PL	Tłumaczenie instrukcji oryginalnej	113
RO	Traducere a instrucțiunilor originale	127
PT	Tradução do manual original	140
HU	Az eredeti használati útmutató fordítása	154
CS	Překlad originálního návodu k obsluze	167

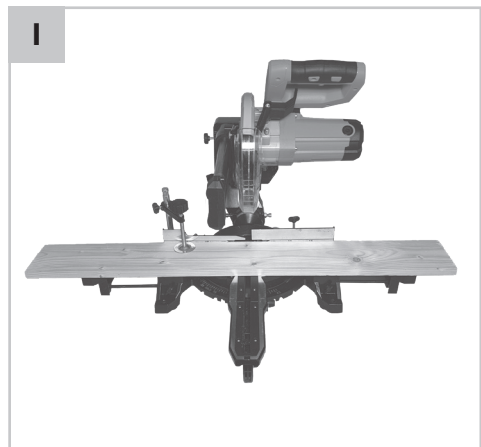
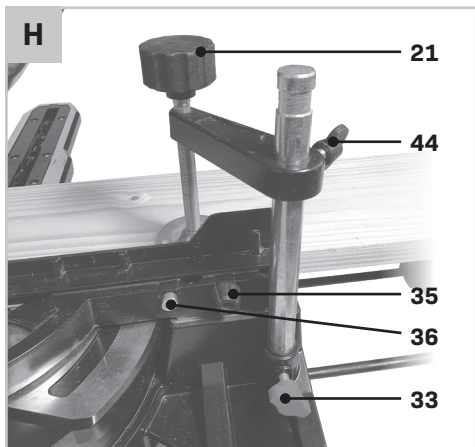
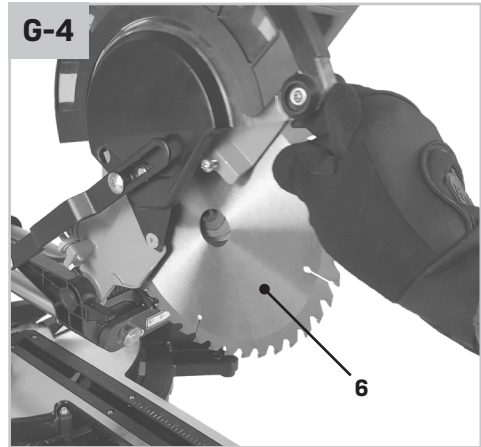
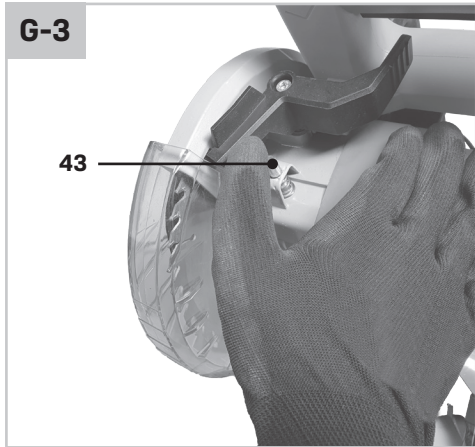
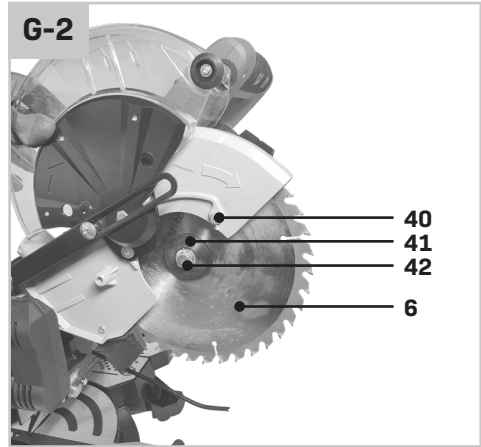
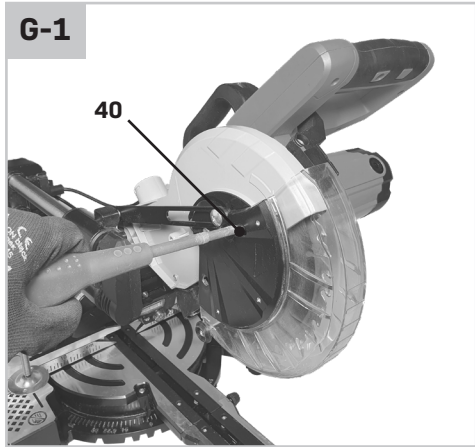
A

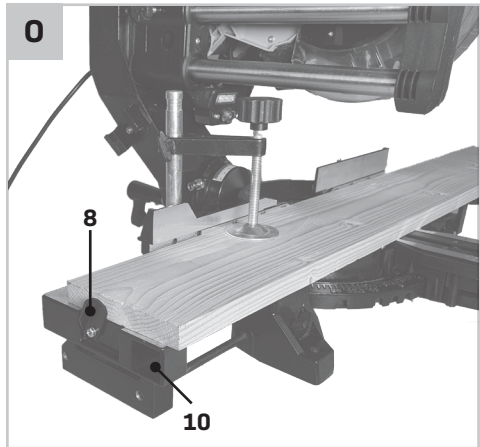
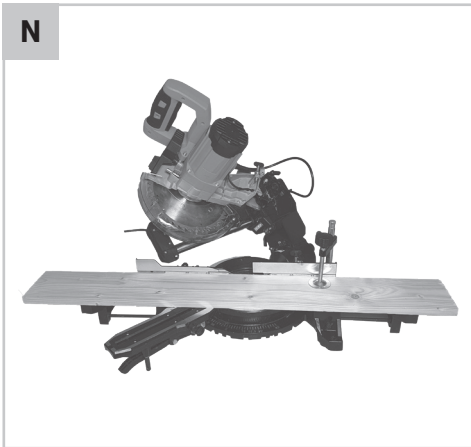
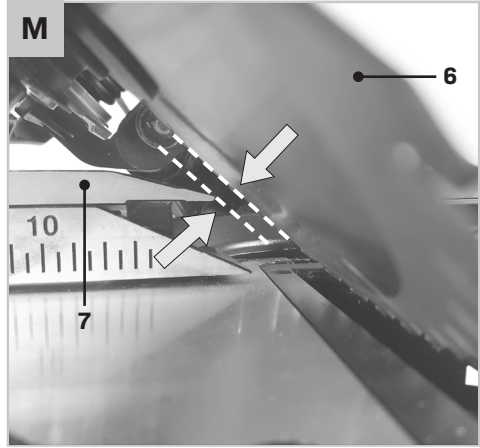
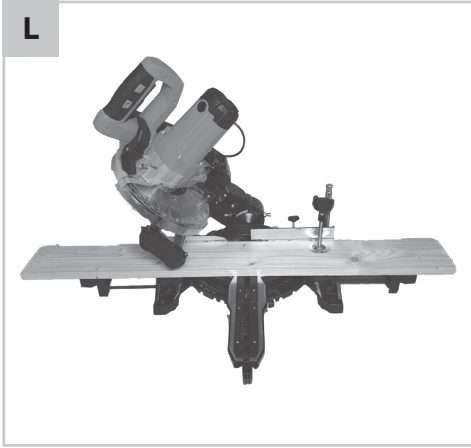
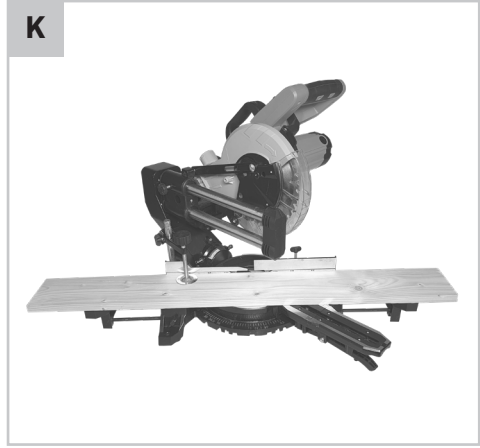
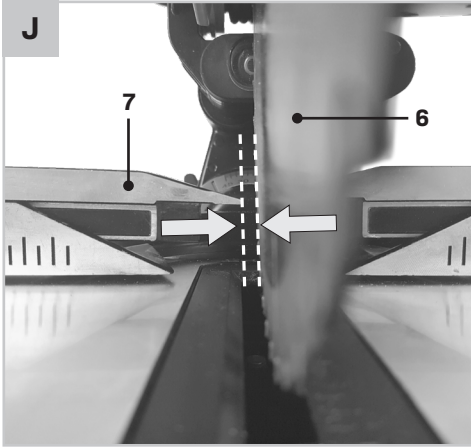


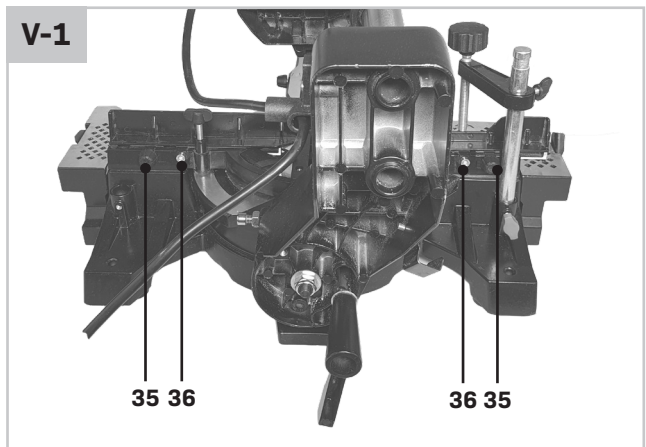
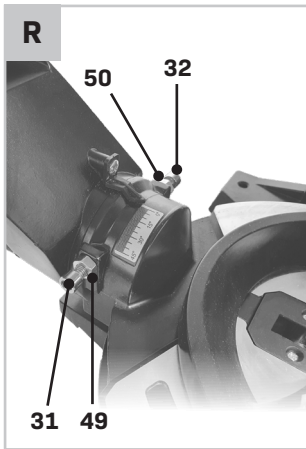
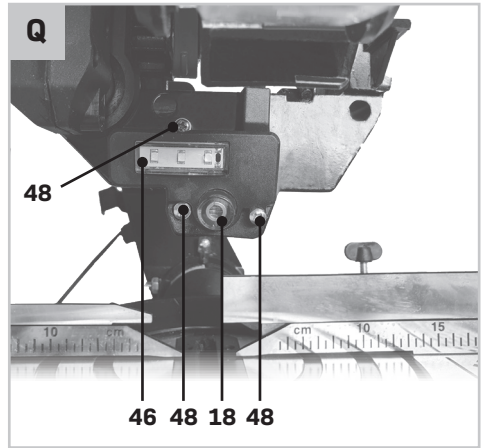
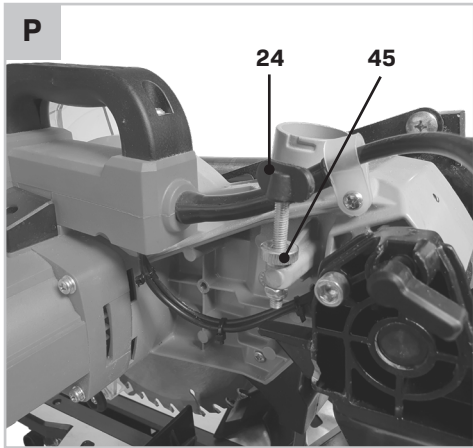
B

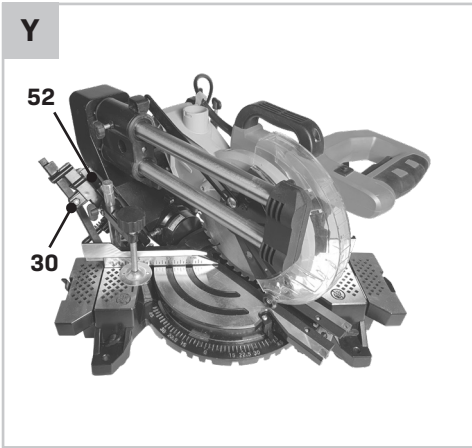
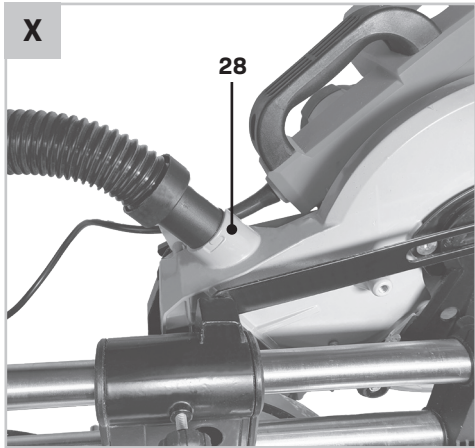
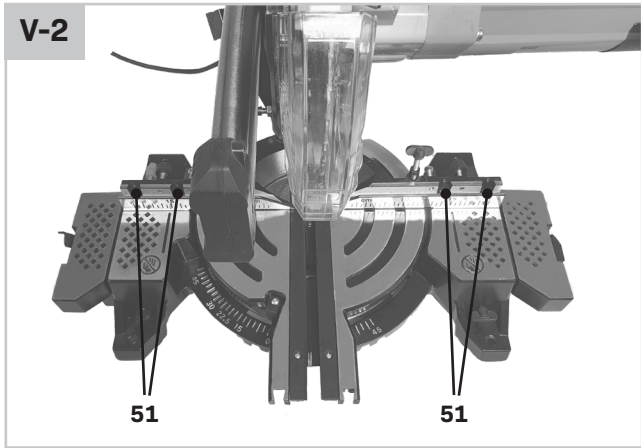












1. SAFETY INSTRUCTIONS

Read the enclosed safety warnings, the additional safety warnings and the instructions. Failure to follow the safety warnings and the instructions may result in electric shock, fire and/or serious injury. Save the safety warnings and the instructions for future reference.

The following symbols are used in the user manual or on the product:



Read the user manual.



Denotes risk of personal injury, loss of life or damage to the tool in case of non-observance of the instructions in this manual.



Risk of electric shock.



Keep bystanders away.



Wear a dust protection.



Wear ear protection.



Wear eye protection.



Attention: Laser radiation. Do not stare into the beam Class 2 laser.



Keep hands away from the cutting area while the power tool is running. Contact with the saw blade can lead to injuries.



Danger area! Keep hands, fingers or arms away from this area.



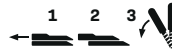
Transport the machine only when the machine is in inward transport position.



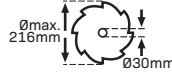
Class II machine - Double insulation - You don't need any earthed plug.



The product is in accordance with the applicable safety standards in the European directives.



The adjustable fence must be pulled outward when sawing mitre/bevel angles.



Take note of the dimensions of the saw blade. The hole diameter must fit the tool spindle without play. If it is necessary to use reducers, ensure that the dimensions of the reducer are suitable for the base blade thickness and the saw blade hole diameter, as well as the tool spindle diameter. Wherever possible, use the reducers provided with the saw blade. The saw blade diameter must match the information specified on the symbol.

GENERAL POWER TOOL SAFETY WARNINGS



WARNING! Read all safety warnings, instructions, illustrations and specifications provided with this power tool. Failure to follow all instructions listed below may result in electric shock, fire and/or serious injury.

Save all warnings and instructions for future reference.

The term "power tool" in the warnings refers to your mains-operated (corded) power tool or battery-operated (cordless) power tool.

1) Work area safety

- a) **Keep work area clean and well lit.** Cluttered or dark areas invite accidents.
- b) **Do not operate power tools in explosive atmospheres, such as in the presence of flammable liquids, gases or dust.** Power tools create sparks which may ignite the dust or fumes.
- c) **Keep children and bystanders away while operating a power tool.** Distractions can cause you to lose control.

2) Electrical safety

- a) **Power tool plugs must match the outlet. Never modify the plug in any way. Do not use any adapter plugs with earthed (grounded) power tools.** Unmodified plugs and matching outlets will reduce risk of electric shock.

- b) **Avoid body contact with earthed or grounded surfaces, such as pipes, radiators, ranges and refrigerators.** There is an increased risk of electric shock if your body is earthed or grounded.
 - c) **Do not expose power tools to rain or wet conditions.** Water entering a power tool will increase the risk of electric shock.
 - d) **Do not abuse the cord. Never use the cord for carrying, pulling or unplugging the power tool. Keep cord away from heat, oil, sharp edges or moving parts.** Damaged or entangled cords increase the risk of electric shock.
 - e) **When operating a power tool outdoors, use an extension cord suitable for outdoor use.** Use of a cord suitable for outdoor use reduces the risk of electric shock.
 - f) **If operating a power tool in a damp location is unavoidable, use a residual current device (RCD) protected supply.** Use of an RCD reduces the risk of electric shock.
- 3) Personal safety**
- a) **Stay alert, watch what you are doing and use common sense when operating a power tool. Do not use a power tool while you are tired or under the influence of drugs, alcohol or medication.** A moment of inattention while operating power tools may result in serious personal injury.
 - b) **Use personal protective equipment. Always wear eye protection.** Protective equipment such as dust mask, non-skid safety shoes, hard hat, or hearing protection used for appropriate conditions will reduce personal injuries.
 - c) **Prevent unintentional starting. Ensure the switch is in the off-position before connecting to power source and/or battery pack, picking up or carrying the tool.** Carrying power tools with your finger on the switch or energising power tools that have the switch on invites accidents.
 - d) **Remove any adjusting key or wrench before turning the power tool on.** A wrench or a key left attached to a rotating part of the power tool may result in personal injury.
 - e) **Do not overreach. Keep proper footing and balance at all times.** This enables better control of the power tool in unexpected situations.
 - f) **Dress properly. Do not wear loose clothing or jewellery. Keep your hair and clothing away from moving parts.** Loose clothes, jewellery or long hair can be caught in moving parts.
 - g) **If devices are provided for the connection of dust extraction and collection facilities, ensure these are connected and properly used.** Use of dust collection can reduce dust related hazards.
 - h) **Do not let familiarity gained from frequent use of tools allow you to become complacent and ignore tool safety principles.** A careless action can cause severe injury within a fraction of a second.
- 4) Power tool use and care**
- a) **Do not force the power tool. Use the correct power tool for your application.** The correct power tool will do the job better and safer at the rate for which it was designed.
 - b) **Do not use the power tool if the switch does not turn it on and off.** Any power tool that cannot be controlled with the switch is dangerous and must be repaired.
 - c) **Disconnect the plug from the power source and/or remove the battery pack, if detachable, from the power tool before making any adjustments, changing accessories, or storing power tools.** Such preventive safety measures reduce the risk of starting the power tool accidentally.
 - d) **Store idle power tools out of the reach of children and do not allow persons unfamiliar with the power tool or these instructions to operate the power tool.** Power tools are dangerous in the hands of untrained users.
 - e) **Maintain power tools and accessories. Check for misalignment or binding of moving parts, breakage of parts and any other condition that may affect the power tool's operation. If damaged, have the power tool repaired before use.** Many accidents are caused by poorly maintained power tools.
 - f) **Keep cutting tools sharp and clean.** Properly maintained cutting tools with sharp cutting edges are less likely to bind and are easier to control.
 - g) **Use the power tool, accessories and tool bits etc. in accordance with these instructions, taking into account the working conditions and the work to be performed.** Use of the power tool for operations different from those intended could result in a hazardous situation.
 - h) **Keep handles and grasping surfaces dry, clean and free from oil and grease.** Slippery handles and grasping surfaces do not allow for safe handling and control of the tool in unexpected situations.

5) Service

- a) **Have your power tool serviced by a qualified repair person using only identical replacement parts.** This will ensure that the safety of the power tool is maintained.

SPECIFIC SAFETY INSTRUCTIONS

- **Mitre saws are intended to cut wood or wood-like products, they cannot be used with abrasive cut-off wheels for cutting ferrous material such as bars, rods, studs, etc.** Abrasive dust causes moving parts such as the lower guard to jam. Sparks from abrasive cutting will burn the lower guard, the kerf insert and other plastic parts.
- **Use clamps to support the workpiece whenever possible. If supporting the workpiece by hand, you must always keep your hand at least 100 mm from either side of the saw blade. Do not use this saw to cut pieces that are too small to be securely clamped or held by hand.** If your hand is placed too close to the saw blade, there is an increased risk of injury from blade contact.
- **The workpiece must be stationary and clamped or held against both the fence and the table. Do not feed the workpiece into the blade or cut “freehand” in any way.** Unrestrained or moving workpieces could be thrown at high speeds, causing injury.
- **Push the saw through the workpiece. Do not pull the saw through the workpiece. To make a cut, raise the saw head and pull it out over the workpiece without cutting, start the motor, press the saw head down and push the saw through the workpiece.** Cutting on the pull stroke is likely to cause the saw blade to climb on top of the workpiece and violently throw the blade assembly towards the operator.
- **Never cross your hand over the intended line of cutting either in front or behind the saw blade.** Supporting the workpiece “cross handed” i.e. holding the workpiece to the right of the saw blade with your left hand or vice versa is very dangerous.
- **Do not reach behind the fence with either hand closer than 100 mm from either side of the saw blade, to remove wood scraps, or for any other reason while the blade is spinning.** The proximity of the spinning saw blade to your hand may not be obvious and you may be seriously injured.
- **Inspect your workpiece before cutting. If the workpiece is bowed or warped, clamp it with the outside bowed face toward the fence. Always make certain that there is no gap between the workpiece, fence and table along the line of the cut.** Bent or warped workpieces can twist or shift and may cause binding on the spinning saw blade while cutting. There should be no nails or foreign objects in the workpiece.
- **Do not use the saw until the table is clear of all tools, wood scraps, etc., except for the workpiece.** Small debris or loose pieces of wood or other objects that contact the revolving blade can be thrown with high speed.
- **Cut only one workpiece at a time.** Stacked multiple workpieces cannot be adequately clamped or braced and may bind on the blade or shift during cutting.
- **Ensure the mitre saw is mounted or placed on a level, firm work surface before use.** A level and firm work surface reduces the risk of the mitre saw becoming unstable.
- **Plan your work. Every time you change the bevel or mitre angle setting, make sure the adjustable fence is set correctly to support the workpiece and will not interfere with the blade or the guarding system.** Without turning the tool “ON” and with no workpiece on the table, move the saw blade through a complete simulated cut to assure there will be no interference or danger of cutting the fence.
- **Provide adequate support such as table extensions, saw horses, etc. for a workpiece that is wider or longer than the table top.** Workpieces longer or wider than the mitre saw table can tip if not securely supported. If the cut-off piece or workpiece tips, it can lift the lower guard or be thrown by the spinning blade.
- **Do not use another person as a substitute for a table extension or as additional support.** Unstable support for the workpiece can cause the blade to bind or the workpiece to shift during the cutting operation pulling you and the helper into the spinning blade.
- **The cut-off piece must not be jammed or pressed by any means against the spinning saw blade.** If confined, i.e. using length stops, the cut-off piece could get wedged against the blade and thrown violently.
- **Always use a clamp or a fixture designed to properly support round material such as rods or tubing.** Rods have a tendency to roll while being cut, causing the blade to “bite” and pull the work

with your hand into the blade.

- **Let the blade reach full speed before contacting the workpiece.** This will reduce the risk of the workpiece being thrown.
- **If the workpiece or blade becomes jammed, turn the mitre saw off. Wait for all moving parts to stop and disconnect the plug from the power source and/or remove the battery pack. Then work to free the jammed material.** Continued sawing with a jammed workpiece could cause loss of control or damage to the mitre saw.
- **After finishing the cut, release the switch, hold the saw head down and wait for the blade to stop before removing the cut-off piece.** Reaching with your hand near the coasting blade is dangerous.
- **Hold the handle firmly when making an incomplete cut or when releasing the switch before the saw head is completely in the down position.** The braking action of the saw may cause the saw head to be suddenly pulled downward, causing a risk of injury.
- **Keep your work area clean.** Material mixtures are particularly hazardous. Light metal dust may catch fire or explode.
- **Do not use dull, cracked, bent or damaged saw blades.** Unsharpened or improperly set saw blades produce narrow kerf causing excessive friction, blade binding and kickback.
- **Do not use saw blades made from high speed steel (HSS).** Such saw blades can easily break.
- **Always use saw blades with correct size and shape (diamond versus round) of arbour holes.** Saw blades that do not match the mounting hardware of the saw will run off-centre, causing loss of control.
- **Do not replace the integrated laser with a laser of another type.** A laser that is not compatible with this power tool could pose a risk to persons.
- **Never remove cuttings, wood chips, etc. from the cutting area while the power tool is running.** Always guide the tool arm back to the neutral position first and then switch the power tool off.
- **Do not touch the saw blade after working before it has cooled.** The saw blade becomes very hot while working.
- **Never make warning signs on the machine unrecognisable.**
- **If laser radiation hits your eye, you must close your eyes and immediately turn your head away from the beam.**
- **Do not use any optical instruments such as**

binoculars to view the radiation source. Doing so can damage your eye.

- **Do not direct the laser beam at persons who are looking through binoculars or similar instruments.** Doing so can damage their eye.
- **Do not make any modifications to the laser equipment.** The setting options described in these operating instructions can be used safely.
- **Do not stand in line with the saw blade in front of the power tool.** Always stand to the side of the saw blade. This protects your body against possible kickback.
- **Keep hands, fingers and arms away from the rotating saw blade.**
- **Do not reach one hand across the other when in front of the tool arm.**
- **Avoid overheating of the saw teeth. When the saw blade overheats, stop the machine.** Allow the saw blade to cool down before using the machine again.
- **Replace damaged or worn saw blades immediately.**
- **Only use saw blades that match the specifications given in this operating manual and that have been tested and marked in accordance with EN 847-1.**
- **When sawing curved or round workpieces, these must be especially secured against slipping. At the cutting line, there should be no gap between the workpiece, fence and saw table.** If necessary, you will need to manufacture special fixtures.

Electrical safety



Always check that the voltage of the power supply corresponds to the voltage on the rating plate.

- If the supply cord of this power tool is damaged, it must be replaced by a specially prepared supply cord available through the service organization.
- Only use extension cables that are suitable for the power rating of the machine with a minimum thickness of 1.5 mm². If you use an extension cable reel, always fully unroll the cable.

2. MACHINE INFORMATION

Intended use

This tool is intended as a stationary machine for making straight lengthways and crossways cuts in wood with and against the grain. It is possible to cut mitre angles of -45° to $+45^{\circ}$ and bevel angles of -0° to $+45^{\circ}$. The power tool with the fitted sawblade is designed with sufficient capacity for sawing hardwood and softwood as well as chipboard and fibreboard. The sawblade is not designed for cutting firewood. Do not use the saw to cut materials other than those specified described in manual.

TECHNICAL SPECIFICATIONS

Model No.	MS504AC
Voltage	220-240V~
Frequency	50 Hz
Power input	1800W S1 - 2200W S6 40%*
No load speed	5200/min
Mitre angles	$-45^{\circ} <> +45^{\circ}$
Bevel angles	$-45^{\circ} <> 0^{\circ}$ to the left, single bevel
Sawblade specifications:	
Diameter	Ø 216 mm
Base blade thickness	1.6 mm
Width of cut	2.8 mm
Bore diameter	Ø 30 mm
Number of teeth	40T
Saw capacity (height x width):	
Mitre 0° - Bevel 0°	65 x 300 mm
Mitre 0° - Bevel 45°	38 x 300 mm
Mitre 45° - Bevel 0°	65 x 200 mm
Mitre 45° - Bevel 45°	38 x 200 mm
Minimum workpiece dimensions	3 x 10 mm
Laser specifications:	
Class	2
Wavelength	650 nm
Output	< 1 mW
Weight	14 kg
Lpa (sound pressure level)	98 dB(A) KpA: 3 dB(A)
Lwa (sound power level)	111 dB(A) KWA: 3 dB(A)

* S6, continuous operation periodic duty. Identical duty cycles with a period at load followed by a period at no load. Running time 10 minutes; duty cycle is 40% of the running time.

DESCRIPTION

The numbers in the text refer to the diagrams on page 2-7.

1. Unlock button
2. Handle
3. On/off switch
4. Protective guard
5. Retracting protective guard
6. Saw blade
7. Adjustable fence
8. Length stop
9. Fence
10. Table extension
11. Table
12. Mounting holes
13. Kerf plate
14. Knob for mitre adjustment
15. Lever for mitre adjustment
16. Scale for mitre angle
17. Indicator for mitre angle
18. Laser
19. Indicator for bevel angle
20. Scale for bevel angle
21. Workpiece clamp
22. Knob for bevel adjustment
23. Roller
24. Depth adjustment bolt
25. Slide rails
26. Dust bag
27. Carrying handle
28. Dust outlet
29. Locking bolt for slide rails
30. Mitre arm
31. Stop bolt for 45° bevel angle
32. Stop bolt for 0° bevel angle
33. Locking bolt for workpiece clamp
34. Locking bolt for table extension
35. Locking bolt for adjustable fence
36. Safety bolt for adjustable fence
37. Front tilt protector
38. Position lock knob
39. Mitre arm knob
40. Retaining bolt
41. Clamping flange
42. Clamping bolt

- 43. Spindle lock
- 44. Knob for workpiece clamp
- 45. Knurled nut for depth adjustment
- 46. LED Worklight
- 47. Mitre arm bolt
- 48. Screws for laser adjustment
- 49. Lock nut for 45° bevel angle
- 50. Lock nut for 0° bevel angle
- 51. Fence bolts
- 52. Mitre arm holder

3. ASSEMBLY



Before carrying out any work on the machine, disconnect the mains plug from the power supply.

Transport position (Fig. B, C)

The position lock knob (38) makes it easier to move the power tool when transporting it to various working locations.

Unlocking the transport position (work position)

1. Press the handle (2) downwards slightly;
2. Pull the position lock knob (38) fully outwards and lock it in place by turning it;
3. Slowly move the handle (2) upwards.

Locking the transport position (transport position)

Before locking in transport position, make sure that the depth adjustment bolt (24) is adjusted to unlimited depth. This way, the handle (2) can be moved fully downwards without touching the depth stop. Also, remove all accessories that cannot be securely fitted to the machine.

1. Loosen the locking bolt for slide rails (29) if tightened;
2. Pull the handle (2) forwards towards yourself and tighten the locking bolt for slide rails (29);
3. Press the handle (2) fully downwards;
4. Lock the position lock knob (38) by first pulling and then turning it;
5. Wind up the mains cable and tie it together with the supplied cable strap.

After locking the transport position, use the carrying handle (27) to safely carry and transport the machine.



Only use the carrying handle to transport the machine and never the protective guards.

Assembly of the mitre arm (Fig. D, Y)

The front part of the table surface, hereafter referred to as mitre arm (30), can be removed to achieve even smaller outer dimensions of the already compact mitre saw. To assemble the mitre arm:

1. Unlock the transport position (work position);
2. Loosen the knob for mitre adjustment (14);
3. Rotate the table (11) left or right to the 0° preset. The angle can be read on the scale for mitre angle (16) using the indicator for mitre angle (17);
4. Pull and hold the mitre arm knob (39) as shown on figure D1 using one hand;
5. With the other hand, insert the mitre arm (30) onto the table (11) as shown on figure D2 whilst pulling the lever for mitre adjustment (15). Ensure the inverted triangle ends of the mitre arm (30) fit properly in the identically shaped notches in the table (11);
6. Now, release the mitre arm knob (39) and lever for mitre adjustment (15);
7. Secure the mitre arm (30) by tightening mitre arm bolt (47) as shown on figure D-3.

Note: whilst disassembled, the mitre arm (30) can be stored in the mitre arm holder (52), as shown on figure Y.

Install of a stationary machine (Fig. A, B, D)

To ensure safe handling, the power tool must be mounted on a flat, stable work surface (e.g. work bench) before use. You can install the machine in three ways:

1. On a workbench

In this case the machine must be secured to the workbench using suitable screw fasteners. Use the four holes (12) to do this. As shown on fig. D.

2. On a subframe



Read all the warnings and instructions included with the saw stand. Failure to observe the warnings and follow instructions may result in electric shock, fire and/or serious injury.



Assemble the saw stand properly before mounting the power tool. Correct assembly is important to prevent the risk of collapsing.

In this case the machine must be secured to the sub frame with bolts. Use the four holes (12) to do this. The sub frame must be anchored with 4 bolts to the floor plate with dimensions of at least 1 square meter. Mount the power tool on the saw stand in the transport position.

3. Flexible installation



This type of installation is not recommended by the manufacturer.

If, in exceptional circumstances, it is not possible to mount the power tool on a flat and stable work surface, you can improvise by setting it up with the tilt protectors.



Without the tilt protector, the power tool will not be stable and can tip over especially when sawing maximum mitre and/or bevel angles.

- The rear tilt protector is fixed onto the base of the machine and cannot be adjusted.
- Rotate the front tilt protector (37) inwards or outwards as shown on figure F until the power tool is positioned level on the work surface.

Checking the protective guard (fig. A)

The Retracting protective guard (5) protects against accidental contact with the saw blade and from saw chips flying around. Before use, it must be checked if the saw blade guard is functioning correctly. To do so, pull the handle (2) downwards and check the following:

- The Retracting protective guard (5) must provide access to the saw blade (6) without getting in contact with other parts.
- When folding the saw upwards into the starting position, the Retracting protective guard (5) must cover the entire saw blade (6) automatically.

Replacing the saw blade (fig. G)



Before carrying out any work on the machine, disconnect the mains plug from the power supply.



When mounting the saw blade, wear protective gloves. Danger of injury when touching the saw blade.



Only use saw blades that correspond with the characteristic data given in the operating instructions. Use only saw blades that are marked with a speed equal or higher than the speed marked on the machine.



Do not under any circumstances use grinding discs as the cutting tool.

Before replacing the saw blade, it is strongly advised to set the mitre angle and bevel angle to 0°. Otherwise, access could be limited.

Removing the saw blade

1. Lock the saw in upwards position by using the position lock knob (38);
2. Loosen the retaining bolt (40) using a philips headed screwdriver as shown on figure G1; **WARNING!** Do not fully remove the retaining bolt (40), only loosen it.
3. Fold the retracting protective guard (5) upwards until the clamping bolt (42) can be accessed freely, as shown on figure G2;
4. Insert the hex key into the clamping bolt (42). The retracting protective guard (5) can be released, it will fold onto the hex key.
5. Turn the clamping bolt (42) with the hex key (34) and at the same time press the spindle lock (43) until it engages.
6. Firmly hold the spindle lock (43) and loosen the clamping bolt (42) by turning it clockwise (left-hand thread).
7. Remove the clamping bolt (42) and clamping flange (41). Afterwards, the saw blade (6) can be removed.

Mounting the saw blade



When fitting the saw blade, make sure that the cutting direction of the teeth (arrow direction on the saw blade) matches the direction of the arrow on the guard (4).



When fitting the saw blade (6), check to see that it turns freely in the kerf plate (13) in both 0° and 45° angle settings.

1. Clean the saw blade and all clamping parts to be assembled.
2. Loosen the retaining bolt (40) using a philips headed screwdriver as shown on figure G1; **WARNING!** Do not fully remove the retaining bolt

(40), only loosen it.

3. Fold the retracting protective guard (5) upwards until the clamping bolt (42) can be accessed freely, as shown on figure G2;
4. Insert the hex key into the clamping bolt (42). The retracting protective guard (5) can be released, it will fold onto the hex key.
5. Mount the clamping flange (41). Ensure the flat sides of the clamping flange correspond with the flat sides of the blade shaft. Also make sure the convex side of the clamping flange is mounted to the outside.
6. Mount the clamping bolt (42) and turn it using the hex key whilst at the same time pressing the spindle lock (43), until it engages.
7. Firmly hold the spindle lock (43) and fasten the clamping bolt (42) by turning it anti-clockwise.

Dust extraction (fig. A, B, W, X)



Provide good ventilation at the workplace.



Wear dust protection.

The dust from materials such as lead paint and some types of wood can be harmful to your health. Breathing in this dust can cause allergic reactions and/or cause respiratory illnesses for the user or people in the near vicinity. Certain dusts, such as oak or beech dust, are classified as carcinogenic, especially in conjunction with wood treatment additives (chromate, wood preservative). We strongly advise to use a dust extraction system that is suitable for the material wherever possible.



Avoid dust accumulation at the workplace. Dust can easily ignite.

The dust extraction system can be blocked by dust, chips or fragments of the workpiece. Thus, it must be cleaned regularly. To do so:

1. Disconnect the mains plug from the power supply.
2. Wait until the saw blade has come to a complete stop.
3. Remove any blockage if necessary

Mounting the dust bag (Fig. W)

Press in the clamp of the dust bag (26) and slide it onto the dust outlet (28) on the back of the machine. The dust bag stays in place when releasing the clamp.

Connecting a vacuum cleaner (Fig. X)



The dust extractor must be suitable for the material being worked.



When vacuuming dry dust that is especially detrimental to health or carcinogenic, use a special dust extractor.

A vacuum cleaner hose can be connected to the dust outlet (28). To do so, simply connect the vacuum hose to the dust extraction spout.

4. OPERATION



Before you turn on the machine, always check that the saw blade is fitted correctly. The blade must turn smoothly.



Always check the protective guards before use.



For all cuts, it must first be ensured that the saw blade at no time can come in contact with the fence, workpiece clamp or other machine parts. Remove any mounted auxiliary stops or adjust them accordingly.

Supporting the workpiece (fig. H)

Workpieces must always be properly supported. The table extensions (10) can be extended left and right to support a workpiece. To do so:

1. Loosen the locking bolt for table extension (34);
2. Move the table extension (10) to the desired position;
3. Tighten the locking bolt for table extension (34).

When sawing extra-long workpieces, the free end of long workpieces must have something additionally placed underneath it or be supported.

Clamping the workpiece (fig. H)

Workpieces must always be firmly clamped. The workpiece clamp (21) can be placed left and right of the workpiece. To do so:

1. Ensure the workpiece is firmly pressed against the fence (9);
2. Insert the supplied workpiece clamp (21) into one of the holes intended for this purpose, as can be seen on figure H;
3. Adjust the threaded rod of the workpiece clamp (21) to the workpiece height;

4. Firmly tighten the threaded rod of the workpiece clamp (21) to fix the workpiece in place. To loosen, simply untighten the threaded rod of the workpiece clamp (21).

The knob for workpiece clamp (44) can be used to more quickly adjust the height of the workpiece clamp (21). After adjusting the height, always firmly tighten the threaded rod of the workpiece clamp (21) to fix the workpiece in place.

Adjusting the fence (fig. H)



Always adjust the fence to the specific type of cut.

When sawing mitre and/or bevel angles, you have to move the adjustable fence (7) depending on the cutting direction. This way, the workpiece is always properly supported by the fence under each condition. To do so:

1. Loosen the locking bolt for adjustable fence (35);
2. Adjust the fence according to the desired cut. For mitre or straight cuts the fence has to be moved inwards towards the blade (max 8 mm) without touching it. For bevel cuts, the fence has to be moved outwards away from the blade (max 8 mm) without touching it;
3. Tighten the locking bolt for adjustable fence (35);
4. To ensure the blade won't get in touch with the adjustable fence (35), it is advised to make a test run of the movement of the blade, without turning the machine on.

Adjusting the mitre angle (fig. A)

The mitre angle can be adjusted between 45° left side and 45° right side. For quick and precise setting of commonly used mitre angles, presets are provided on the saw table on 0°, 15°, 22.5°, 30° and 45° angles.

Adjusting the mitre angle to a preset:

1. Loosen the knob for mitre adjustment (14);
2. Pull the lever for mitre adjustment (15) and rotate the table (11) left or right to the desired preset. The angle can be read on the scale for mitre angle (16) using the indicator for mitre angle (17).
3. Release the lever. The lever must be felt to engage in the detent of the preset.
4. Tighten the knob for mitre adjustment (14).

Adjusting the mitre angle to any required angle:

1. Loosen the knob for mitre adjustment (14);
2. Pull the lever for mitre adjustment (15) and rotate the table (11) left or right to the desired position. The angle can be read on the scale for mitre angle (16) using the indicator for mitre angle (17).
3. Release the lever and tighten the knob for mitre adjustment (14).

Adjusting the bevel angle (fig. A, B)

The bevel angle can be set between 0° and +45° to the left side. To do so:

1. Loosen the adjusting knob for bevel adjustment (22);
2. Tilt the saw by using the handle (2) until the indicator (19) reads the desired position on the scale for bevel angle (20);
3. Tighten the adjusting knob for bevel adjustment (22).

Switching the machine on/off (Fig. A)

- To start the machine, press and hold the unlock button (1) to unlock the protective guard and press the on/off switch (3).
- To stop the machine, release the on/off switch (3).

Making a cross cut (fig. I, J)

Follow these steps to cut perpendicular to the grain of the wood:

1. Adjust the mitre angle to and the bevel angle to 0°;
2. Move the adjustable fence to the inner position, towards the blade. The maximum distance between the adjustable fence (35) and the saw blade (6) is 8mm, as shown on figure J. Make sure the fence does not touch the blade.
3. Firmly clamp the workpiece;
4. Turn on the machine. Make sure that the saw blade has reached full speed;
5. Now bring the handle slowly downwards so that the saw blade cuts through the piece of work and passes through the slot in the table. Do not put undue pressure on the saw, let the machine do the work;
6. Bring the handle gently up again and switch it off by letting go of the switch.

Making a mitre cut (fig. J, K)

Follow these steps to make an angled cut to the face of the wood:

1. Adjust the mitre angle to the desired position and the bevel angle to 0°;

2. Move the adjustable fence to the inner position, towards the blade. The maximum distance between the adjustable fence (35) and the saw blade (6) is 8mm, as shown on figure J. Make sure the fence does not touch the blade.
3. Firmly clamp the workpiece;
4. Turn on the machine. Make sure that the saw blade has reached full speed;
5. Now bring the handle slowly downwards so that the saw blade cuts through the piece of work and passes through the slot in the table. Do not put undue pressure on the saw, let the machine do the work;
6. Bring the handle gently up again and switch it off by letting go of the switch.

Making a bevel cut (fig. L, M)

Follow these steps to make an angled cut to the edge of the wood:

1. Adjust the mitre angle to 0° and the bevel angle to the desired position ;
2. Move the adjustable fence to the outer position, away from the blade. The maximum distance between the adjustable fence (35) and the saw blade (6) is 8mm, as shown on figure M. Make sure the fence does not touch the blade.
3. Firmly clamp the workpiece. Ensure the work-piece clamp is placed on the right side;
4. Turn on the machine. Make sure that the saw blade has reached full speed;
5. Now bring the handle slowly downwards so that the saw blade cuts through the piece of work and passes through the slot in the table. Do not put undue pressure on the saw, let the machine do the work;
6. Bring the handle gently up again and switch it off by letting go of the switch.

Making a compound cut (fig. M, N)

Follow these steps to make a combination of mitre and bevel cut:

1. Adjust the mitre angle and the bevel angle to the desired position ;
2. Move the adjustable fence to the outer position, away from the blade. The maximum distance between the adjustable fence (35) and the saw blade (6) is 8mm, as shown on figure M. Make sure the fence does not touch the blade.
3. Firmly clamp the workpiece. Ensure the work-piece clamp is placed on the right side;
4. Turn on the machine. Make sure that the saw

- blade has reached full speed;
5. Now bring the handle slowly downwards so that the saw blade cuts through the piece of work and passes through the slot in the table. Do not put undue pressure on the saw, let the machine do the work;
6. Bring the handle gently up again and switch it off by letting go of the switch.

Using the slide function

For extra wide workpieces, the machine is equipped with a sliding function. When using the slide function, make sure to loosen the locking bolt for slide rails (29). Pull the handle (2) away from the fence (9) until the saw blade is in front of the workpiece. Slowly guide the tool arm downwards using the handle and afterwards push the handle (2) towards the fence (9) and saw through the workpiece with uniform feed.

For small workpieces, it is possible to fix the sliding function in the rear position of the saw with the locking bolt for slide rails (29). If more cutting width is desired, then it is necessary to loosen the locking bolt for slide rails (29).

Using the length stop (Fig. O)

The length stop (8) on both the left and right table extensions (10) can be used for easily sawing workpieces to the same length.

1. Move the length stop (8) upwards;
2. Loosen the locking bolt for table extension (34);
3. Adjust the table extension (10) to the required length.
4. Tighten the locking bolt for table extension (34).

Adjusting the depth stop (Fig. P)

The depth stop can be adjusted, to limit the cutting depth. This can be used to easily saw a groove. To do so:

1. Loosen the knurled nut for depth adjustment (45);
2. Adjust the knob for depth adjustment (24) to the desired depth;
3. Tighten the knurled nut for depth adjustment (45).

Switching the laser on/off (Fig. B)

Press the laser switch (46) to switch the laser on or off. The laser switch (46) also turns on the LED worklight.

Fine-tuning

Prior to any adjustment work disconnect the mains power plug.

To ensure precise cuts, the basic settings of the saw must be checked and adjusted before first use, as well as necessary after intensive use. Suitable special tools are required for this. Vonroc after-sales will help handling this work quickly and reliably.

Fine-tuning the laser (Fig. Q)

Note: To test the laser function, the power tool must be connected to the power supply.



While adjusting the laser (e.g. when moving the tool arm), never activate the on/off switch. Accidental starting of the power tool can lead to injuries.

If the laser (18) ceases to indicate the correct cutting line, you can readjust the laser. To do so:

1. Loosen the laser adjustment screws (48) and set the laser by moving it until the laser beam strikes the teeth of the saw blade (6);
2. Tighten the laser adjustment screws (48).

Fine-tuning the 0° bevel angle (Fig. R, S)

1. Adjust the mitre and bevel angle to 0°;
2. Lower the handle (2) and secure it using the position lock knob (38);
3. Lock the slide movement using the locking bolt for slide rails (29);
4. Set an angle gauge to 90° and place it on the table (11), as shown on figure S. The leg of the angle gauge must be flush with the saw blade (6) along its entire length;
5. Loosen the lock nut for 0° bevel angle (50);
6. Adjust the stop bolt for 0° bevel angle (32) until the leg of the angle gauge is flush with the saw blade along its entire length;
7. Re-tighten the lock nut for 0° bevel angle (50).

Subsequently check the position of the angle indicator (19). If necessary loosen the pointer using a Philips screwdriver, set to position 0° on the scale for bevel angle (20) and re-tighten the retaining screw.

Fine-tuning the 45° bevel angle (Fig. R, T)

1. Adjust the mitre and bevel angle to 45°;
2. Lower the handle (2) and secure it using the position lock knob (38);

3. Lock the slide movement using the locking bolt for slide rails (29);
4. Set an angle gauge to 90° and place it on the table (11), as shown on figure T. The leg of the angle gauge must be flush with the saw blade (6) along its entire length;
5. Loosen the lock nut for 45° bevel angle (49);
6. Adjust the stop bolt for 45° bevel angle (31) until the leg of the angle gauge is flush with the saw blade along its entire length;
7. Re-tighten the lock nut for 45° bevel angle (49).

Subsequently check the position of the angle indicator (19). If necessary loosen the pointer using a Philips screwdriver, set to position 45° on the scale for bevel angle (20) and re-tighten the retaining screw.

Fine-tuning the 0° mitre angle (Fig. U, V)

1. Set an angle gauge to 0° on the table (11) and position it between the fence (9) and the saw blade (6);
2. The leg of the angle gauge must be flush with the saw blade (6) along its entire length;
3. Loosen the locking bolts for adjustable fence (35) and subsequently loosen the safety bolts for adjustable fence (36).
4. Remove both left and right adjustable fences (7), revealing the fence bolts (51).
5. Loosen all four fence bolts (51) and adjust the fence (9) until the leg of the angle gauge is flush with the saw blade along its entire length;
6. Retighten all four fence bolts (51) again. Subsequently check the position of the angle indicator (17). If necessary loosen the pointer using a Philips screwdriver, set to position 0° on the scale for mitre angle (16) and re-tighten the retaining screw.
7. Mount both left and right adjustable fences (7).
8. Tighten the locking bolts for adjustable fence (35) and subsequently tighten the safety bolts for adjustable fence (36).

5. MAINTENANCE

Always make sure that the machine is not connected to the mains electricity when you carry out any maintenance of the mechanism.

Clean the machine casings regularly with a soft cloth, preferably after each use. Make sure that the ventilation openings are free of dust and dirt. Re-

move very persistent dirt using a soft cloth moistened with soapsuds. Do not use any solvents such as gasoline, alcohol, ammonia, etc. Chemicals such as these will damage the synthetic components.

Cleaning the protective guards

Always check the protective guard (4) and retractable protective guard (5) for debris before using the machine. Remove old sawdust and splinters using a brush or similar tool.

Replacing the table insert



Immediately replace damaged table inserts.

With a damaged table insert (13) there is a risk of small parts getting stuck between table insert and saw blade, blocking the saw blade. To replace the table insert:

1. Remove screws of table insert using a Philips screw driver. If required, adjust mitre and bevel angle to obtain access these screws;
2. Remove table insert;
3. Install new table insert;
4. Tighten the screws using a Philips screw driver.

Slide rails

Dirt can damage the slide rails (25) and thereupon the operating of the machine.

- Clean the slide rails regularly with a soft cloth;
- Drip some lubricating oil on the slide rails;
- Move the mitre saw forwards and backwards so the oil spreads over the complete rails.

ENVIRONMENT



Faulty and/or discarded electrical or electronic apparatus have to be collected at the appropriate recycling locations.

Only for EC countries

Do not dispose of power tools into domestic waste. According to the European Guideline 2012/19/EU for Waste Electrical and Electronic Equipment and its implementation into national right, power tools that are no longer usable must be collected separately and disposed of in an environmentally friendly way.

WARRANTY

VONROC products are developed to the highest quality standards and are guaranteed free of defects in both materials and workmanship for the period lawfully stipulated starting from the date of original purchase. Should the product develop any failure during this period due to defective material and/or workmanship then contact your VONROC directly.

The following circumstances are excluded from this guarantee:

- Repairs and or alterations have been made or attempted to the machine by unauthorized service centers;
- Normal wear and tear;
- The tool has been abused, misused or improperly maintained;
- Non-original spare parts have been used.

This constitutes the sole warranty made by company either expressed or implied. There are no other warranties expressed or implied which extend beyond the face hereof, herein, including the implied warranties of merchantability and fitness for a particular purpose. In no event shall VONROC be liable for any incidental or consequential damages. The dealers remedies shall be limited to repair or replacement of nonconforming units or parts.

The product and the user manual are subject to change. Specifications can be changed without further notice.

1. SICHERHEITSANWEISUNGEN

Lesen Sie die beiliegenden Sicherheitsanweisungen, die zusätzlichen Sicherheitsanweisungen sowie diese Bedienungsanleitung sorgfältig durch. Bei Nichtbeachten der Sicherheitsanweisungen und der Bedienungsanleitung kann es zu einem Stromschlag, einem Brand und/oder schweren Verletzungen kommen. Bewahren Sie die Sicherheitsanweisungen und die Bedienungsanleitung zur künftigen Bezugnahme sicher auf.

Folgende Symbole werden im Benutzerhandbuch oder auf dem Produkt verwendet:



Benutzerhandbuch/Bedienungsanleitung lesen.



Lebens- und Verletzungsgefahr und Gefahr von Beschädigungen am Werkzeug/Gerät bei Nichteinhaltung der Anweisungen in dieser Bedienungsanleitung.



Gefahr eines Stromschlags.



Umstehende fernhalten.



Tragen Sie eine Staubschutzmaske.



Gehörschutz tragen.



Schutzbrille tragen.



Achtung: Laserstrahlung Schauen. Sie nicht in den Strahl Laser der Klasse 2.



Kommen Sie mit Ihren Händen nicht in den Sägebereich, während das Elektrowerkzeug läuft. Beim Kontakt mit dem Sägeblatt besteht Verletzungsgefahr.



Gefahrenbereich! Halten Sie möglichst Hände, Finger oder Arme von diesem Bereich fern.



Transportieren Sie die Maschine nur, wenn sie in der Eingangstransportposition ist



Gerät der Schutzklasse II – schutzisoliert – kein Schutzkontakt erforderlich.



Das Produkt entspricht den geltenden Sicherheitsnormen der europäischen Richtlinien.



Beim Sägen von Gehrungswinkeln muss die verstellbare Anschlagschiene nach außen gezogen werden.



Beachten Sie die Abmessungen des Sägeblatts. Der Lochdurchmesser muss ohne Spiel zur Werkzeugspindel passen. Falls eine Verwendung von Reduzierstücken notwendig ist, achten Sie darauf, dass die Abmessungen des Reduzierstücks zur Stammblattdicke und zum Lochdurchmesser des Sägeblatts sowie zum Durchmesser der Werkzeugspindel passen. Verwenden Sie möglichst die mit dem Sägeblatt mitgelieferten Reduzierstücke. Der Sägeblattdurchmesser muss der Angabe auf dem Symbol entsprechen.

ALLGEMEINE SICHERHEITSHINWEISE



WARNUNG! Lesen Sie alle Sicherheitshinweise, Anweisungen, Bilderungen und technischen Daten, mit denen dieses Elektrowerkzeug versehen ist. Versäumnisse bei der Einhaltung der nachfolgenden Anweisungen können elektrischen Schlag, Brand und/oder schwere Verletzungen verursachen.

Bewahren Sie diese Anweisungen gut auf.

Der nachfolgend verwendete Begriff „Elektrowerkzeug“ bezieht sich auf netzbetriebene Elektrowerkzeuge (mit Netzkabel) und auf akkubetriebene Elektrowerkzeuge (ohne Netzkabel).

1) Arbeitsplatz

- a) **Halten Sie Ihren Arbeitsbereich sauber und aufgeräumt.** Unordnung und unbeleuchtete Arbeitsbereiche können zu Unfällen führen.

- b) **Arbeiten Sie mit dem Gerät nicht in explosionsgefährdeter Umgebung, in der sich brennbare Flüssigkeiten, Gase oder Staub befinden.** Elektrowerkzeuge erzeugen Funken, die den Staub oder die Dämpfe entzünden können.
- c) **Halten Sie Kinder und andere Personen während der Benutzung des Elektrowerkzeugs fern.** Bei Ablenkung können Sie die Kontrolle über das Gerät verlieren.
- 2) Elektrische Sicherheit**
- a) **Der Anschlussstecker des Gerätes muss in die Steckdose passen. Der Netzstecker darf in keener Weise verändert werden. Verwenden Sie keine Adapterstecker gemeinsam mit geschützten Geräten.** Unveränderte Netzstecker und passende Steckdosen verringern das Risiko eines elektrischen Schlages.
- b) **Vermeiden Sie Körperkontakt mit geerdeten Oberflächen, wie von Rohren, Heizungen, Herden und Kühlschränken.** Es besteht ein erhöhtes Risiko durch elektrischen Schlag, wenn Ihr Körper geerdet ist.
- c) **Halten Sie das Gerät von Regen oder Nässe fern.** Das Eindringen von Wasser in ein Elektrogerät erhöht das Risiko eines elektrischen Schlages.
- d) **Zweckfremden Sie das Netzkabel nicht, um das Gerät zu tragen, aufzuhängen oder um den Netzstecker aus der Steckdose zu ziehen. Halten Sie das Netzkabel fern von Hitze, Öl, scharfen Kanten oder sich bewegenden Geräteteilen.** Beschädigte oder verwickelte Netzkabel erhöhen das Risiko eines elektrischen Schlages.
- e) **Wenn Sie mit einem Elektrowerkzeug im Freien arbeiten, verwenden Sie nur Verlängerungskabel, die auch für den Außenbereich zugelassen sind.** Die Anwendung eines für den Außenbereich geeigneten Verlängerungskabels verringert das Risiko eines elektrischen Schlages.
- f) **Wenn sich Arbeiten mit einem Elektrowerkzeug in feuchten Umgebungen nicht vermeiden lassen, verwenden Sie eine Stromversorgung mit einer Fehlerstrom-Schutzeinrichtung (RCD).** Durch die Verwendung einer RCD wird die Gefahr eines elektrischen Schlages verringert.
- 3) Sicherheit von Personen**
- a) **Seien Sie aufmerksam. Achten Sie darauf, was Sie tun, und gehen Sie mit Vernunft an die Arbeit mit einem Elektrowerkzeug. Benutzen Sie das Gerät nicht, wenn Sie müde sind oder unter dem Einfluss von Drogen, Alkohol oder Medikamenten stehen.** Ein Moment der Unachtsamkeit beim Gebrauch des Gerätes kann zu ernsthaften Verletzungen führen.
- b) **Tragen Sie persönliche Schutzausrüstung und immer eine Schutzbrille.** Das Tragen persönlicher Schutzausrüstung, wie Staubmaske, rutschfeste Sicherheitsschuhe, Schutzhelm oder Gehörschutz, je nach Art und Einsatz des Elektrowerkzeuges, verringert das Risiko von Verletzungen.
- c) **Vermeiden Sie eine unbeabsichtigte Inbetriebnahme. Vergewissern Sie sich, dass der Schalter in der Position „AUS(0)“ ist, bevor Sie den Netzstecker in die Steckdose stecken.** Wenn Sie beim Tragen des Geräts den Finger am Schalter haben oder das Gerät eingeschaltet an die Stromversorgung anschließen, kann dies zu Unfällen führen.
- d) **Entfernen Sie Einstellwerkzeuge oder Schraubenschlüssel, bevor Sie das Gerät einschalten.** Ein Werkzeug oder Schlüssel, der sich in einem drehenden Geräteteil befindet, kann zu Verletzungen führen.
- e) **Überschätzen Sie sich nicht. Sorgen Sie für einen sicheren Stand und halten Sie jederzeit das Gleichgewicht.** Dadurch können Sie das Gerät in unerwarteten Situationen besser kontrollieren.
- f) **Tragen Sie geeignete Kleidung. Tragen Sie keine weite Kleidung oder Schmuck. Halten Sie Haare, Kleidung fern von sich bewegenden Teilen.** Lockere Kleidung, Schmuck oder lange Haare können von sich bewegenden Teilen erfasst werden.
- g) **Wenn Staubabsaug- und -auffangeinrichtungen montiert werden können, vergewissern Sie sich, dass diese angeschlossen sind und richtig verwendet werden.** Das Verwenden dieser Einrichtungen verringert Gefährdungen durch Staub.
- h) **Achten Sie darauf, nicht durch häufigen Gebrauch von Werkzeugen nachlässig zu werden und die Prinzipien zum sicheren Umgang mit den Werkzeugen zu ignorieren.** Eine unachtsame Handlung kann innerhalb von Sekundenbruchteilen schwere Verletzungen verursachen.
- 4) Sorgfältiger Umgang und Gebrauch von Elektrowerkzeugen**
- a) **Überlasten Sie das Gerät nicht. Verwenden Sie für Ihre Arbeit das dafür bestimmte Elektrowerkzeug.** Mit dem passenden Elektrowerkzeug

arbeiten Sie besser und sicherer im angegebenen Leistungsbereich.

- b) **Benutzen Sie kein Elektrowerkzeug, dessen Schalter defekt ist.** Ein Elektrowerkzeug, das sich nicht mehr ein- oder ausschalten lässt, ist gefährlich und muss repariert werden.
 - c) **Ziehen Sie den Stecker aus der Steckdose und/oder entfernen Sie einen abnehmbaren Akku, bevor Sie Geräteeinstellungen vornehmen, Einsatzwerkzeugteile wechseln oder das Elektrowerkzeug weglegen.** Diese Vorsichtsmaßnahme verhindert den unbeabsichtigten Start des Geräts.
 - d) **Bewahren Sie unbenutzte Elektrowerkzeuge außerhalb der Reichweite von Kindern auf. Lassen Sie Personen das Gerät nicht benutzen, die mit diesem nicht vertraut sind oder diese Anweisungen nicht gelesen haben.** Elektrowerkzeuge sind gefährlich, wenn Sie von unerfahrenen Personen benutzt werden.
 - e) **Pflegen Sie Elektrowerkzeuge und Einsatzwerkzeug mit Sorgfalt. Kontrollieren Sie, ob bewegliche Geräteteile einwandfrei funktionieren und nicht klemmen, ob Teile gebrochen oder so beschädigt sind, dass die Funktion des Gerätes beeinträchtigt ist. Lassen Sie beschädigte Teile vor dem Einsatz des Gerätes reparieren.** Viele Unfälle haben ihre Ursache in schlecht gewarteten Elektrowerkzeugen.
 - f) **Halten Sie Schneidwerkzeuge scharf und sauber.** Sorgfältig gepflegte Schneidwerkzeuge mit scharfen Schneidkanten verklemmen sich weniger und sind leichter zu führen.
 - g) **Verwenden Sie Elektrowerkzeug, Zubehör, Einsatzwerkzeuge usw. entsprechend diesen Anweisungen und so, wie es für diesen speziellen Gerätetyp vorgeschrieben ist. Berücksichtigen Sie dabei die Arbeitsbedingungen und die auszuführende Tätigkeit.** Der Gebrauch von Elektrowerkzeugen für andere als die vorgesehenen Anwendungen kann zu gefährlichen Situationen führen.
 - h) **Halten Sie Griffe und Greifflächen immer trocken, sauber und frei von Öl und Fett.** Rutschige Griffe und Greifflächen verhindern in unerwarteten Situationen den sicheren Umgang mit dem Werkzeug und die richtige Kontrolle darüber.
- 5) Service**
- a) **Lassen Sie Ihre Werkzeuge durch einen qualifizierten Reparaturtechniker ausschließlich mit**

identischen Ersatzteilen warten. So lässt sich eine gleich bleibende Sicherheit des Elektrowerkzeugs gewährleisten.

ZUSÄTZLICHE SICHERHEITSHINWEISE

- **Gehrungskappsägen sind zum Schneiden von Holz oder holzartigen Produkten vorgesehen, sie können nicht zum Schneiden von Eisenwerkstoffen wie Stäben, Stangen, Schrauben usw. verwendet werden.** Abrasiver Staub führt zum Blockieren von beweglichen Teilen wie der unteren Schutzhaube. Schneidfunken verbrennen die untere Schutzhaube, die Einlegeplatte und andere Kunststoffteile.
- **Fixieren Sie das Werkstück nach Möglichkeit mit Zwingen. Wenn Sie das Werkstück mit der Hand festhalten, müssen Sie Ihre Hand immer mindestens 100 mm von jeder Seite des Sägeblatts entfernt halten. Verwenden Sie diese Säge nicht zum Schneiden von Stücken, die zu klein sind, um sie einzuspannen oder mit der Hand zu halten.** Wenn Ihre Hand zu nahe am Sägeblatt ist, besteht ein erhöhtes Verletzungsrisiko durch Kontakt mit dem Sägeblatt.
- **Das Werkstück muss unbeweglich sein und entweder festgespannt oder gegen den Anschlag und den Tisch gedrückt werden. Schieben Sie das Werkstück nicht in das Sägeblatt, und schneiden Sie nie „freihändig“.** Lose oder sich bewegende Werkstücke könnten mit hoher Geschwindigkeit herausgeschleudert werden und zu Verletzungen führen.
- **Schieben Sie die Säge durch das Werkstück. Vermeiden Sie es, die Säge durch das Werkstück zu ziehen. Für einen Schnitt heben Sie den Sägekopf und ziehen ihn über das Werkstück, ohne zu schneiden. Dann schalten Sie den Motor ein, schwenken den Sägekopf nach unten und drücken die Säge durch das Werkstück.** Bei ziehendem Schnitt besteht die Gefahr, dass das Sägeblatt am Werkstück aufsteigt und die Sägeblatteinheit dem Bediener gewaltsam entgegen geschleudert wird.
- **Kreuzen Sie nie die Hand über die vorgesehene Schnittlinie, weder vor noch hinter dem Sägeblatt.** Abstützen des Werkstücks „mit gekreuzten Händen“, d.h. Halten des Werkstücks rechts neben dem Sägeblatt mit der linken Hand oder umgekehrt, ist sehr gefährlich.
- **Greifen Sie bei rotierendem Sägeblatt nicht hinter den Anschlag. Unterschreiten Sie nie einen**

Sicherheitsabstand von 100mm zwischen Hand und rotierendem Sägeblatt (gilt auf beiden Seiten des Sägeblatts, z.B. beim Entfernen von Holzabfällen). Die Nähe des rotierenden Sägeblatts zu Ihrer Hand ist möglicherweise nicht erkennbar, und Sie können schwer verletzt werden.

- **Prüfen Sie das Werkstück vor dem Schneiden. Wenn das Werkstück gebogen oder verzogen ist, spannen Sie es mit der nach außen gekrümmten Seite zum Anschlag. Stellen Sie immer sicher, dass entlang der Schnittlinie kein Spalt zwischen Werkstück, Anschlag und Tisch ist.**

Gebogene oder verzogene Werkstücke können sich verdrehen oder verlagern und ein Klemmen des rotierenden Sägeblatts beim Schneiden verursachen. Es dürfen keine Nägel oder Fremdkörper im Werkstück sein.

- **Verwenden Sie die Säge erst, wenn der Tisch frei von Werkzeugen, Holzabfällen usw. ist; nur das Werkstück darf sich auf dem Tisch befinden.** Kleine Abfälle, lose Holzstücke oder andere Gegenstände, die mit dem rotierenden Blatt in Berührung kommen, können mit hoher Geschwindigkeit weggeschleudert werden.
- **Schneiden Sie jeweils nur ein Werkstück.** Mehrfach gestapelte Werkstücke lassen sich nicht angemessen spannen oder festhalten und können beim Sägen ein Klemmen des Blatts verursachen oder verrutschen.
- **Sorgen Sie dafür, dass die Gehrungskappsäge vor Gebrauch auf einer ebenen, festen Arbeitsfläche steht.** Eine ebene und feste Arbeitsfläche verringert die Gefahr, dass die Gehrungskappsäge instabil wird.
- **Planen Sie Ihre Arbeit. Achten Sie bei jedem Verstellen der Sägeblattneigung oder des Gehrungswinkels darauf, dass der verstellbare Anschlag richtig justiert ist und das Werkstück abstützt, ohne mit dem Blatt oder der Schutzhaube in Berührung zu kommen.** Ohne die Maschine einzuschalten und ohne Werkstück auf dem Tisch ist eine vollständige Schnittbewegung des Sägeblatts zu simulieren, um sicherzustellen, dass es nicht zu Behinderungen oder der Gefahr des Schneidens in den Anschlag kommt.
- **Sorgen Sie bei Werkstücken, die breiter oder länger als die Tischoberseite sind, für eine angemessene Abstützung, z.B. durch Tischverlängerungen oder Sägeböcke.** Werkstücke, die länger oder breiter als der Tisch der Gehrungskappsäge sind, können kippen, wenn sie nicht fest abge-

stützt sind. Wenn ein abgeschnittenes Stück Holz oder das Werkstück kippt, kann es die untere Schutzhaube anheben oder unkontrolliert vom rotierenden Blatt weggeschleudert werden.

- **Ziehen Sie keine anderen Personen als Ersatz für eine Tischverlängerung oder zur zusätzlichen Abstützung heran.** Eine instabile Abstützung des Werkstücks kann zum Klemmen des Blatts führen. Auch kann sich das Werkstück während des Schnitts verschieben und Sie und den Helfer in das rotierende Blatt ziehen.
- **Das abgeschnittene Stück darf nicht gegen das rotierende Sägeblatt gedrückt werden.** Wenn wenig Platz ist, z.B. bei Verwendung von Längsanschlägen, kann sich das abgeschnittene Stück mit dem Blatt verkeilen und gewaltsam weggeschleudert werden.
- **Verwenden Sie immer eine Zwinde oder eine geeignete Vorrichtung, um Rundmaterial wie Stangen oder Rohre ordnungsgemäß abzustützen.** Stangen neigen beim Schneiden zum Wegrollen, wodurch sich das Blatt „festbeißen“ und das Werkstück mit Ihrer Hand in das Blatt gezogen werden kann.
- **Lassen Sie das Blatt die volle Drehzahl erreichen, bevor Sie in das Werkstück schneiden.** Dies verringert das Risiko, dass das Werkstück fortgeschleudert wird.
- **Wenn das Werkstück eingeklemmt wird oder das Blatt blockiert, schalten Sie die Gehrungskappsäge aus. Warten Sie, bis alle beweglichen Teile zum Stillstand gekommen sind, ziehen Sie den Netzstecker und/oder nehmen Sie den Akku heraus. Entfernen Sie anschließend das eingeklemmte Material.** Wenn Sie bei einer solchen Blockierung weitersägen, kann es zum Verlust der Kontrolle oder zu Beschädigungen der Gehrungskappsäge kommen.
- **Lassen Sie nach beendetem Schnitt den Schalter los, halten Sie den Sägekopf unten und warten Sie den Stillstand des Blatts ab, bevor Sie das abgeschnittene Stück entfernen.** Es ist sehr gefährlich, mit der Hand in die Nähe des auslaufenden Blatts zu reichen.
- **Halten Sie den Handgriff gut fest, wenn Sie einen unvollständigen Sägeschnitt ausführen oder wenn Sie den Schalter loslassen, bevor der Sägekopf seine untere Lage erreicht hat.** Durch die Bremswirkung der Säge kann der Sägekopf ruckartig nach unten gezogen werden und dadurch zu einem Verletzungsrisiko führen.

- **Halten Sie Ihren Arbeitsplatz sauber.** Materialmischungen sind besonders gefährlich. Leichtmetallstaub kann brennen oder explodieren.
- **Verwenden Sie keine stumpfen, rissigen, verbogenen oder beschädigten Sägeblätter.** Sägeblätter mit stumpfen oder falsch ausgerichteten Zähnen verursachen durch einen zu engen Sägespalt eine erhöhte Reibung, Klemmen des Sägeblattes und Rückschlag.
- **Verwenden Sie keine Sägeblätter aus hochlegiertem Schnellarbeitsstahl (HSS-Stahl).** Solche Sägeblätter können leicht brechen.
- **Verwenden Sie immer Sägeblätter in der richtigen Größe und mit passender Aufnahmebohrung (z.B. rautenförmig oder rund).** Sägeblätter, die nicht zu den Montageteilen der Säge passen, laufen unrund und führen zum Verlust der Kontrolle.
- **Tauschen Sie den eingebauten Laser nicht gegen einen Laser anderen Typs aus.** Von einem nicht zu diesem Elektrowerkzeug passenden Laser können Gefahren für Personen ausgehen.
- **Entfernen Sie niemals Schnittreste, Holzspäne o.ä. aus dem Schnittbereich, während das Elektrowerkzeug läuft.** Führen Sie den Werkzeugarm immer zuerst in die Ruheposition und schalten Sie das Elektrowerkzeug aus.
- **Fassen Sie das Sägeblatt nach dem Arbeiten nicht an, bevor es abgekühlt ist.** Das Sägeblatt wird beim Arbeiten sehr heiß.
- **Machen Sie Warnschilder am Elektrowerkzeug niemals unkenntlich.**
- **Falls Laserstrahlung ins Auge trifft, sind die Augen bewusst zu schließen und der Kopf sofort aus dem Strahl zu bewegen.**
- **Verwenden Sie keine optisch sammelnden Instrumenten wie Fernglas usw. zur Betrachtung der Strahlungsquelle.** Sie können damit ihr Auge schädigen.
- **Richten Sie den Laserstrahl nicht auf Personen, die durch ein Fernglas oder ähnliches blicken.** Sie können damit deren Auge schädigen.
- **Nehmen Sie keine Änderungen an der Lasereinrichtung vor.** Die in dieser Betriebsanleitung beschriebenen Einstellmöglichkeiten können Sie gefahrlos nutzen.
- **Stehen Sie nicht in direkter Linie mit dem Sägeblatt vor dem Elektrowerkzeug.** Stellen Sie sich immer neben das Sägeblatt. So schützen Sie Ihren Körper vor einem möglichen Rückschlag.
- **Halten Sie Hände, Finger und Arme von dem rotierenden Sägeblatt fern.**
- **Greifen Sie nicht mit einer Hand über die andere, wenn Sie sich vor dem Werkzeugarm befinden.**
- **Vermeiden Sie eine Überhitzung der Sägezähne.** Stoppen Sie die Maschine, wenn das Sägeblatt überhitzt. Lassen Sie das Sägeblatt abkühlen, bevor Sie die Maschine erneut verwenden.
- **Ersetzen Sie beschädigte oder abgenutzte Sägeblätter sofort.**
- **Verwenden Sie nur Sägeblätter, die den Angaben in dieser Betriebsanleitung entsprechen und nach EN 847-1 geprüft und gekennzeichnet wurden.**
- **Beim Sägen von gekrümmten oder runden Werkstücken müssen diese besonders gegen Verrutschen gesichert werden. An der Schnittlinie darf sich zwischen Werkstück, Anschlag und Säge Tisch kein Spalt befinden.** Falls erforderlich, sind spezielle Befestigungsvorrichtungen herzustellen.

Elektrische Sicherheit



Achten Sie stets darauf, dass die Spannung der Stromversorgung mit der Spannung auf dem Typenschild übereinstimmt.

- Wenn die Anschlussleitung beschädigt wird, muss sie durch eine besondere Anschlussleitung ersetzt werden, die vom Kundendienst erhaltlich ist.
- Verwenden Sie nur Verlängerungskabel, die für die Leistungsaufnahme der Maschine geeignet sind und eine Mindestaderstärke von 1,5 mm² haben. Falls Sie eine Kabeltrommel verwenden, rollen Sie das Kabel immer vollständig ab.

2. ANGABEN ZUM WERKZEUG

Verwendungszweck

Dieses Werkzeug ist als stationäre Maschine vorgesehen, um gerade Holzschnitte mit und gegen die Faser in Längs- und Querrichtung zu schneiden. Es können Gehrungswinkel von -45° bis +45° und Schrägwinkel von -0° bis +45° geschnitten werden. Das Elektrowerkzeug mit dem montierten Sägeblatt verfügt über ausreichende Kapazität zum Sägen von Hart- und Nadelholz sowie von Span- und Faserplatten. Das Sägeblatt ist nicht zum Sägen von Brennholz ausgelegt. Verwenden Sie die Säge nicht, um andere als die in dieser Anleitung genannten Materialien zu schneiden.

TECHNISCHE DATEN

Modellnummer	MS504AC
Netzspannung	220-240V~
Frequenz	50 Hz
Leistung	1800W S1 - 2200W S6 40%*
Leerlaufdrehzahl	5200/min
Winkel für Gehrungsschnitt	-45° <> +45°
Winkel für Schrägschnitt	-45° <> 0° nur links
Sägeblatt-Spezifikationen:	
Durchmesser	Ø 216 mm
Stammlattdicke	1,6 mm
Schnittbreite	2,8 mm
Bohrungsdurchmesser	Ø 30 mm
Zähnezahl	40T
Max. Sägekapazität (Höhe x Breite):	
Gehrungsschnitt 0° -	65 x 300 mm
Schrägschnitt 0°	
Gehrungsschnitt 0° -	38 x 300 mm
Schrägschnitt 45°	
Gehrungsschnitt 45° -	65 x 200 mm
Schrägschnitt 0°	
Gehrungsschnitt 45° -	38 x 200 mm
Schrägschnitt 45°	
Minimale Werkstückabmessungen	3 x 10 mm
Laser-Spezifikationen:	
Klasse	2
Wellenlänge	650 nm
Leistung	< 1 mW
Gewicht	14 kg
Lpa (Schalldruck)	98 dB(A) KpA: 3 dB(A)
Lwa (Schallleistung)	111 dB(A) KWA: 3 dB(A)

* Betriebsart S6, ununterbrochener periodischer Betrieb. Der Betrieb setzt sich aus einer Anlaufzeit, einer Zeit mit konstanter Belastung und einer Leerlaufzeit zusammen. Die Spieldauer beträgt 10 min, die relative Einschaltdauer beträgt 40% der Spieldauer.

BESCHREIBUNG

Die Buchstaben und Ziffern im folgenden Text weisen auf die Abbildungen auf den Seiten 2 bis 7.

1. Entriegelungsknopf
2. Griff
3. Ein-/Ausschalter

4. Schutzabdeckung
5. Zurückziehbare Schutzabdeckung
6. Sägeblatt
7. Verstellbarer Anschlag
8. Längenanschlag
9. Anschlag
10. Tischverlängerung
11. Tisch
12. Montagelöcher
13. Schlitzplatte
14. Knopf für die Gehrungseinstellung
15. Hebel für die Gehrungseinstellung
16. Skala für den Gehrungswinkel
17. Indikator für den Gehrungswinkel
18. Laser
19. Indikator für den Schrägwinkel
20. Skala für den Schrägwinkel
21. Werkstückklemme
22. Knopf für die Schrägeinstellung
23. Rolle
24. Tiefeneinstellschraube
25. Gleitschienen
26. Staubbeutel
27. Tragegriff
28. Staubauslass
29. Sicherungsschraube für die Gleitschienen
30. Gehrungsarm
31. Anschlagsschraube für den 45°-Schrägwinkel
32. Anschlagsschraube für den 0°-Schrägwinkel
33. Sicherungsschraube für die Werkstückklemme
34. Sicherungsschraube für die Tischverlängerung
35. Sicherungsschraube für den verstellbaren Anschlag
36. Sicherheitsschraube für den verstellbaren Anschlag
37. Vorderer Kippschutz
38. Positionsverriegelungsknopf
39. Gehrungsarmknopf
40. Halteschraube
41. Klemmflansch
42. Klemmschraube
43. Spindelverriegelung
44. Knopf für die Werkstückklemme
45. Rändelmutter zur Tiefeneinstellung
46. LED-Arbeitsleuchte
47. Gehrungsarmschraube
48. Schrauben zur Lasereinstellung
49. Sicherungsmutter für den 45°-Schrägwinkel
50. Sicherungsmutter für den 0°-Schrägwinkel
51. Anschlagsschrauben
52. Gehrungsarmhalter

3. MONTAGE



Schalten Sie die Maschine vor der Montage aus und ziehen Sie den Netzstecker aus der Steckdose.

Transportposition (Abb. B, C)

Der Positionsverriegelungsknopf (38) erleichtert das Bewegen des Elektrowerkzeugs beim Transport zu verschiedenen Arbeitsorten.

Entriegeln der Transportposition (Arbeitsposition)

1. Drücken Sie den Griff (2) etwas nach unten;
2. Ziehen Sie den Positionsverriegelungsknopf (38) ganz nach außen und arretieren Sie ihn durch Drehen;
3. Bewegen Sie den Griff (2) langsam nach oben.

Verriegeln der Transportposition (Transportposition)

Vergewissern Sie sich vor dem Verriegeln in der Transportposition, dass die Tiefeneinstellschraube (24) auf unbegrenzte Tiefe eingestellt ist. Auf diese Weise kann der Griff (2) vollständig nach unten bewegt werden, ohne den Tiefenschlag zu berühren. Nehmen Sie außerdem alle Zubehörteile ab, die nicht sicher an der Maschine befestigt werden können.

1. Lösen Sie die Sicherungsschraube für die Gleitschienen (29), wenn sie festgezogen ist;
2. Ziehen Sie den Griff (2) nach vorne und drehen Sie die Sicherungsschraube für die Gleitschienen (29) fest;
3. Drücken Sie den Griff (2) ganz nach unten;
4. Verriegeln Sie den Positionsverriegelungsknopf (38), indem Sie ihn zuerst ziehen und dann drehen;
5. Wickeln Sie das Netzkabel auf und binden Sie es mit dem mitgelieferten Kabelbinder zusammen.

Verwenden Sie nach dem Verriegeln der Transportposition den Tragegriff (27), um die Maschine sicher zu tragen und zu transportieren.



Verwenden Sie zum Transportieren der Maschine nur den Tragegriff und niemals die Schutzabdeckungen.

Montage des Gehrungsarms (Abb. D, Y)

Der vordere Teil der Tischfläche, im Folgenden als Gehrungsarm (30) bezeichnet, kann entfernt werden, um noch kleinere Außenabmessungen der bereits kompakten Gehrungssäge zu erreichen.

Montieren des Gehrungsarms:

1. Entriegeln Sie die Transportposition (Arbeitsposition);
2. Lösen Sie den Knopf für die Gehrungseinstellung (14);
3. Drehen Sie den Tisch (11) nach links oder rechts auf die 0°-Voreinstellung. Der Winkel kann auf der Skala für den Gehrungswinkel (16) mit dem Indikator für den Gehrungswinkel (17) abgelesen werden;
4. Ziehen Sie den Gehrungsarmknopf (39) wie in Abbildung D1 gezeigt mit einer Hand und halten Sie ihn fest;
5. Mit der anderen Hand setzen Sie den Gehrungsarm (30) auf den Tisch (11) ein, wie in Abbildung D2 gezeigt, während Sie den Hebel für die Gehrungseinstellung (15) ziehen. Stellen Sie sicher, dass die umgekehrten dreieckigen Enden des Gehrungsarms (30) richtig in den identisch geformten Kerben im Tisch (11) sitzen;
6. Lassen Sie nun den Gehrungsarmknopf (39) und den Hebel für die Gehrungseinstellung (15) los;
7. Sichern Sie den Gehrungsarm (30) durch Anziehen der Gehrungsarmschraube (47) wie in Abbildung D-3 gezeigt.

Hinweis: Im demontierten Zustand kann der Gehrungsarm (30) in der Gehrungsarmhalterung (52) aufbewahrt werden, wie in Abbildung Y gezeigt.

Aufbau einer stationären Maschine (Abb. A, B, D)

Zur Gewährleistung einer sicheren Handhabung muss das Elektrowerkzeug auf einer flachen, stabilen Arbeitsfläche montiert werden (z. B. auf einer Werkbank). Sie können die Maschine auf drei Arten aufbauen:

1. Auf einer Werkbank

In diesem Fall muss die Maschine mit geeigneten Schraubverbindungen an der Werkbank befestigt werden. Verwenden Sie dazu die vier Löcher (12). Wie in Abb. D

2. Auf einem Untergestell



Lesen Sie alle Warnhinweise und Anweisungen, die dem Sägegestell beiliegen. Die Nichtbeachtung der Warnungen und Anweisungen kann in einem Stromschlag, Brand und/oder in schweren Verletzungen resultieren.



Montieren Sie das Sägegestell ordnungsgemäß, bevor Sie das Elektrowerkzeug daran befestigen. Eine korrekte Montage ist wichtig, um das Risiko eines Zusammenbruchs zu vermeiden.

In diesem Fall muss die Maschine mit Schrauben am Untergestell befestigt werden. Verwenden Sie dazu die vier Löcher (12). Das Untergestell muss mit 4 Schrauben an einer Bodenplatte mit einer Größe von mindestens 1 Quadratmeter befestigt werden. Montieren Sie das Elektrowerkzeug in der Transportposition auf dem Sägegestell.

3. Flexible Installation



Diese Art der Installation wird vom Hersteller nicht empfohlen.

Wenn es in Ausnahmefällen nicht möglich ist, das Elektrowerkzeug auf einer ebenen und stabilen Arbeitsfläche zu montieren, können Sie improvisieren und es zusammen mit den Kippschutzvorrichtungen aufbauen.



Ohne den Kippschutz ist das Elektrowerkzeug nicht stabil und kann insbesondere beim Sägen maximaler Gehrungs- bzw. Schrägwinkel umkippen.

- Der hintere Neigungsschutz ist am Sockel der Maschine befestigt und kann nicht verstellt werden.
- Drehen Sie den vorderen Kippschutz (37) wie in Abbildung F gezeigt nach innen oder außen, bis das Elektrowerkzeug waagrecht auf der Arbeitsfläche steht.

Überprüfen der Schutzabdeckung (Abb. A)

Die zurückziehbare Schutzabdeckung (5) schützt vor versehentlichem Kontakt mit dem Sägeblatt und vor herumfliegenden Sägespänen. Vor der Verwendung muss geprüft werden, ob der Sägeblattschutz ordnungsgemäß funktioniert. Ziehen Sie dazu den Griff (2) nach unten und prüfen Sie Folgendes:

- Die zurückziehbare Schutzabdeckung (5) muss Zugang zum Sägeblatt (6) bieten, ohne mit anderen Teilen in Berührung zu kommen.
- Beim Hochklappen der Säge in die Startposition muss die zurückziehbare Schutzabdeckung (5) das gesamte Sägeblatt (6) automatisch abdecken.

Wechseln des Sägeblatts (Abb. G)



Ziehen Sie vor allen Arbeiten an der Maschine den Netzstecker aus der Steckdose.



Tragen Sie beim Anbringen des Sägeblatts Schutzhandschuhe. Verletzungsgefahr beim Berühren des Sägeblattes.



Verwenden Sie nur Sägeblätter, die den Kenndaten in der Betriebsanleitung entsprechen. Verwenden Sie nur Sägeblätter, deren Geschwindigkeit größer oder gleich der auf der Maschine angegebenen Geschwindigkeit ist.



Verwenden Sie auf keinen Fall Schleifscheiben als Schneidwerkzeug.

Es wird dringend empfohlen, vor dem Wechseln des Sägeblatts den Gehrungswinkel und den Schrägwinkel auf 0° einzustellen. Anderenfalls könnte der Zugriff eingeschränkt sein.

Abnehmen des Sägeblatts

1. Verriegeln Sie die Säge so, dass der Positionsverriegelungsknopf (38) nach oben zeigt;
2. Lösen Sie die Halteschraube (40) mit einem Kreuzschlitzschraubendreher wie in Abbildung G1 gezeigt. ACHTUNG! Entfernen Sie die Halteschraube (40) nicht vollständig, sondern lockern Sie sie nur.
3. Klappen Sie die zurückziehbare Schutzabdeckung (5) nach oben, bis die Klemmschraube (42) frei zugänglich ist, siehe Abbildung G2;
4. Stecken Sie den Inbusschlüssel in die Klemmschraube (42). Die zurückziehbare Schutzabdeckung (5) kann losgelassen werden, sie klappt dann auf den Inbusschlüssel um.
5. Drehen Sie die Klemmschraube (42) mit dem Inbusschlüssel (34) und drücken Sie gleichzeitig die Spindelverriegelung (43), bis sie einrastet.
6. Halten Sie die Spindelverriegelung (43) fest und lösen Sie die Klemmschraube (42), indem Sie sie im Uhrzeigersinn drehen (Linksgewinde).
7. Entfernen Sie Klemmschraube (42) und Klemmflansch (41). Danach kann das Sägeblatt (6) entfernt werden.

Anbringen des Sägeblatts



Achten Sie bei der Montage des Sägeblatts darauf, dass die Schnittrichtung der Zähne (Pfeilrichtung auf dem Sägeblatt) mit der Pfeilrichtung auf der Schutzabdeckung (4) übereinstimmt.



Prüfen Sie beim Einsetzen des Sägeblatts (6), ob es sich in der Schnittfugenplatte (13) frei zu den Winkeleinstellungen von 0° und 45° drehen kann.

1. Säubern Sie das Sägeblatt und alle zu montierenden Teile.
2. Lösen Sie die Halteschraube (40) mit einem Kreuzschlitzschraubendreher wie in Abbildung G1 gezeigt. ACHTUNG! Entfernen Sie die Halteschraube (40) nicht vollständig, sondern lockern Sie sie nur.
3. Klappen Sie die zurückziehbare Schutzabdeckung (5) nach oben, bis die Klemmschraube (42) frei zugänglich ist, siehe Abbildung G2;
4. Stecken Sie den Inbusschlüssel in die Klemmschraube (42). Die zurückziehbare Schutzabdeckung (5) kann losgelassen werden, sie klappt dann auf den Inbusschlüssel um.
5. Montieren Sie den Klemmflansch (41). Stellen Sie sicher, dass die flachen Seiten des Klemmflansches mit den flachen Seiten der Sägeblattwelle übereinstimmen. Stellen Sie außerdem sicher, dass der Klemmflansch mit der konvexen Seite nach außen montiert ist.
6. Montieren Sie die Klemmschraube (42) und drehen Sie sie mit dem Inbusschlüssel, während Sie gleichzeitig die Spindelverriegelung (43) drücken, bis sie einrastet.
7. Halten Sie die Spindelverriegelung (43) fest und ziehen Sie die Klemmschraube (42) durch Drehen gegen den Uhrzeigersinn fest.

Staubabsaugung (Abb. A, B, W, X)



Für eine gute Belüftung des Arbeitsplatzes sorgen.



Stets Atemschutz tragen.

Der Staub von Materialien wie Bleifarbe und einigen Holzarten kann gesundheitsschädlich sein. Das Einatmen dieses Staubes kann allergische Reaktionen

hervorrufen und/oder beim Benutzer oder bei Umstehenden Atemwegserkrankungen verursachen. Bestimmte Stäube wie Eichen- oder Buchenstaub sind als krebserregend eingestuft, insbesondere in Verbindung mit Holzbehandlungszusätzen (Chromat, Holzschutzmittel). Es wird dringend empfohlen, nach Möglichkeit stets ein für das Material geeignetes Staubabsaugsystem zu verwenden.



Staubansammlung am Arbeitsplatz vermeiden. Staub kann sich leicht entzünden.

Die Staubabsaugvorrichtung kann durch Staub, Späne oder Bruchstücke des Werkstücks blockiert werden. Daher muss sie regelmäßig gereinigt werden. Gehen Sie dazu wie folgt vor:

1. Trennen Sie den Netzstecker des Geräts von der Stromversorgung.
2. Warten Sie, bis das Sägeblatt vollständig zum Stillstand gekommen ist.
3. Beseitigen Sie eventuell vorhandene Blockierungen.

Anbringen des Staubbeutel (Fig. W)

Drücken Sie die Klemme des Staubbeutels (26) hinein und schieben Sie sie in den Staubauslass (28) an der Rückseite der Maschine. Der Staubbeutel bleibt beim Lösen der Klemme in seiner Position.

Anschließen eines Staubsaugers (Fig. X)



Der Staubsauger muss für das zu bearbeitende Material geeignet sein.



Verwenden Sie beim Staubsaugen von besonders gesundheits- oder krebserregendem trockenem Staub einen speziellen Staubabscheider.

Ein Staubsaugerschlauch kann an den Staubauslass (28) angeschlossen werden. Verbinden Sie dazu einfach den Staubsaugerschlauch mit dem Staubabsaugstutzen.

4. BETRIEB



Vor dem Einschalten der Maschine immer überprüfen, ob das Sägeblatt korrekt montiert ist. Das Sägeblatt muss sich leicht drehen lassen.



Vor dem Gebrauch immer die Schutzabdeckungen überprüfen.



Bei allen Schnitten muss zunächst sichergestellt werden, dass das Sägeblatt zu keinem Zeitpunkt mit dem Anschlag, der Werkstückklemme oder anderen Maschinenteilen in Kontakt kommen kann. Eventuell montierte Zusatzanschlüsse müssen entfernt oder entsprechend eingestellt werden.

Abstützung des Werkstücks (Abb. H)

Werkstücke müssen immer richtig abgestützt werden. Die Tischverlängerungen (10) können nach links und rechts ausgefahren werden, um ein Werkstück abzustützen. Gehen Sie dazu wie folgt vor:

1. Lösen Sie die Sicherungsschraube für die Tischverlängerung (34);
2. Bringen Sie die Tischverlängerung (10) in die gewünschte Position;
3. Ziehen Sie die Sicherungsschraube für die Tischverlängerung (34) fest.

Beim Sägen von überlangen Werkstücken muss das freie Ende langer Werkstücke zusätzlich mit Hilfsmitteln unterlegt oder abgestützt werden.

Einspannen des Werkstücks (Abb. H)

Werkstücke müssen immer fest eingespannt werden. Dazu kann die Werkstückklemme (21) links und rechts vom Werkstück platziert werden. Gehen Sie dazu wie folgt vor:

1. Achten Sie darauf, dass das Werkstück fest gegen den Anschlag (9) gedrückt wird;
2. Setzen Sie die mitgelieferte Werkstückklemme (21) in eine der dafür vorgesehenen Bohrungen ein, siehe Abbildung H;
3. Stellen Sie die Gewindestange der Werkstückklemme (21) auf die Werkstückhöhe ein;
4. Ziehen Sie die Gewindestange der Werkstückklemme (21) fest an, um das Werkstück zu fixieren. Zum Lösen lockern Sie einfach die Gewindestange der Werkstückklemme (21).

Mit dem Knopf für die Werkstückklemme (44) lässt sich die Höhe der Werkstückklemme (21) schneller einstellen. Ziehen Sie nach dem Einstellen der Höhe die Gewindestange der Werkstückklemme (21) immer fest an, um das Werkstück zu fixieren.

Einstellen des Anschlags (Abb. H)



Stellen Sie den Anschlag immer auf die jeweilige Schnittart ein.

Beim Sägen von Gehrungs- bzw. Schrägwinkeln müssen Sie den verstellbaren Anschlag (7) je nach Schnittrichtung verschieben. So wird das Werkstück unter jeder Bedingung immer ordnungsgemäß vom Anschlag gehalten. Gehen Sie dazu wie folgt vor:

1. Lösen Sie die Sicherungsschraube für den verstellbaren Anschlag (35);
2. Stellen Sie den Anschlag entsprechend dem gewünschten Schnitt ein. Bei Gehrungs- oder Geradschnitten muss der Anschlag ohne Berührung mit dem Sägeblatt (max. 8 mm) nach innen bewegt werden. Für Schrägschnitte muss der Anschlag vom Sägeblatt weg bewegt werden (max. 8 mm), ohne dieses zu berühren;
3. Ziehen Sie die Sicherungsschraube für den verstellbaren Anschlag (35) fest;
4. Zur Sicherstellung, dass das Sägeblatt nicht mit dem verstellbaren Anschlag (35) in Kontakt kommt, wird empfohlen, die Bewegung des Sägeblatts zu testen, ohne dabei die Maschine einzuschalten.

Einstellen des Gehrungswinkels (Abb. A)

Der Gehrungswinkel kann zwischen 45° links und 45° rechts eingestellt werden. Für die schnelle und genaue Einstellung häufig verwendeter Gehrungswinkel stehen auf dem Säge Tisch Voreinstellungen bei den Winkeln 0°, 15°, 22,5°, 30° und 45° zur Verfügung.

Einstellen des Gehrungswinkels an eine Voreinstellung:

1. Lösen Sie den Knopf für die Gehrungseinstellung (14);
2. Ziehen Sie an dem Hebel für die Gehrungseinstellung (15) und drehen Sie den Tisch (11) nach links oder rechts, um die gewünschte Voreinstellung zu erreichen. Der Winkel kann auf der Skala für den Gehrungswinkel (16) mit dem Indikator für den Gehrungswinkel (17) abgelesen werden.
3. Lassen Sie den Hebel los. Sie müssen dabei spüren, wie der Hebel in die Arretierung der Voreinstellung eingreift.
4. Ziehen Sie den Knopf für die Gehrungseinstellung (14) fest.

Einstellen der Gehrung auf einen beliebigen Winkel:

1. Lösen Sie den Knopf für die Gehrungseinstellung (14);
2. Ziehen Sie an dem Hebel für die Gehrungseinstellung (15) und drehen Sie den Tisch (11) nach links oder rechts, um die gewünschte Position zu erreichen. Der Winkel kann auf der Skala für den Gehrungswinkel (16) mit dem Indikator für den Gehrungswinkel (17) abgelesen werden.
3. Lassen Sie den Hebel los und ziehen Sie den Knopf für die Gehrungseinstellung fest (14).

Einstellen des Schrägwinkels (Abb. A, B)

Der Schrägwinkel kann zwischen 0° und +45° zur linken Seite eingestellt werden. Gehen Sie dazu wie folgt vor:

1. Lösen Sie den Einstellknopf für die Schrägeinstellung (22);
2. Kippen Sie die Säge mit Hilfe des Griffs (2), bis der Indikator (19) auf der Skala für den Schrägwinkel (20) die gewünschte Position anzeigt;
3. Ziehen Sie den Einstellknopf für die Schrägeinstellung (22) fest.

Ein-/Ausschalten der Maschine (Abb. A)

- Um die Maschine zu starten, halten Sie den Entriegelungsknopf (1) gedrückt, um die Schutzvorrichtung zu entriegeln, und drücken den Ein-/Ausschalter (3).
- Um die Maschine anzuhalten, lassen Sie den Ein-/Ausschalter (3) los.

Durchführung von Kreuzschnitten (Abb. I, J)

Befolgen Sie diese Schritte, um senkrecht zur Holzmaserung zu schneiden:

1. Stellen Sie Gehrungswinkel und Schrägwinkel auf 0° ein;
2. Bringen Sie den verstellbaren Anschlag in die innere Position in Richtung des Sägeblatts. Der maximale Abstand zwischen dem einstellbaren Anschlag (35) und dem Sägeblatt (6) beträgt 8 mm, siehe Abbildung J. Achten Sie darauf, dass der Anschlag das Sägeblatt nicht berührt.
3. Spannen Sie das Werkstück gut fest;
4. Schalten Sie die Maschine ein. Warten Sie, bis das Sägeblatt die volle Drehzahl erreicht hat;
5. Bewegen Sie nun den Griff langsam nach unten, so dass das Sägeblatt das Werkstück durchschneidet und durch den Schlitz im Tisch läuft. Üben Sie dabei keinen übermäßigen Druck auf die Säge aus, sondern lassen Sie die Maschine

die Arbeit verrichten;

6. Heben Sie den Griff vorsichtig wieder hoch und schalten Sie die Maschine aus, indem Sie den Schalter loslassen.

Durchführung von Gehrungsschnitten (Abb. J, K)

Befolgen Sie diese Schritte, um einen abgewinkelten Schnitt an der Holzoberfläche vorzunehmen:

1. Stellen Sie den Gehrungswinkel auf die gewünschte Position und den Schrägwinkel auf 0° ein;
2. Bringen Sie den verstellbaren Anschlag in die innere Position in Richtung des Sägeblatts. Der maximale Abstand zwischen dem einstellbaren Anschlag (35) und dem Sägeblatt (6) beträgt 8 mm, siehe Abbildung J. Achten Sie darauf, dass der Anschlag das Sägeblatt nicht berührt.
3. Spannen Sie das Werkstück gut fest;
4. Schalten Sie die Maschine ein. Warten Sie, bis das Sägeblatt die volle Drehzahl erreicht hat;
5. Bewegen Sie nun den Griff langsam nach unten, so dass das Sägeblatt das Werkstück durchschneidet und durch den Schlitz im Tisch läuft. Üben Sie dabei keinen übermäßigen Druck auf die Säge aus, sondern lassen Sie die Maschine die Arbeit verrichten;
6. Heben Sie den Griff vorsichtig wieder hoch und schalten Sie die Maschine aus, indem Sie den Schalter loslassen.

Durchführung von Schrägschnitten (Abb. L, M)

Befolgen Sie diese Schritte, um einen abgewinkelten Schnitt an der Kante des Holzes vorzunehmen:

1. Stellen Sie den Gehrungswinkel auf 0° und den Schrägwinkel auf die gewünschte Position ein;
2. Bringen Sie den verstellbaren Anschlag in die äußere Position, weg vom Sägeblatt. Der maximale Abstand zwischen dem einstellbaren Anschlag (35) und dem Sägeblatt (6) beträgt 8 mm, siehe Abbildung M. Achten Sie darauf, dass der Anschlag das Sägeblatt nicht berührt.
3. Spannen Sie das Werkstück gut fest. Achten Sie darauf, dass sich die Werkstückklemme auf der rechten Seite befindet;
4. Schalten Sie die Maschine ein. Warten Sie, bis das Sägeblatt die volle Drehzahl erreicht hat;
5. Bewegen Sie nun den Griff langsam nach unten, so dass das Sägeblatt das Werkstück durchschneidet und durch den Schlitz im Tisch läuft. Üben Sie dabei keinen übermäßigen Druck auf die Säge aus, sondern lassen Sie die Maschine die Arbeit verrichten;

6. Heben Sie den Griff vorsichtig wieder hoch und schalten Sie die Maschine aus, indem Sie den Schalter loslassen.

Durchführung von Verbindungsschnitten (Abb. M, N)

Befolgen Sie diese Schritte, um eine Kombination aus Gehrungs- und Schrägschnitt zu erstellen:

1. Stellen Sie Gehrungswinkel und Schrägwinkel auf die gewünschte Position ein;
2. Bringen Sie den verstellbaren Anschlag in die äußere Position, weg vom Sägeblatt. Der maximale Abstand zwischen dem einstellbaren Anschlag (35) und dem Sägeblatt (6) beträgt 8 mm, siehe Abbildung M. Achten Sie darauf, dass der Anschlag das Sägeblatt nicht berührt.
3. Spannen Sie das Werkstück gut fest. Achten Sie darauf, dass sich die Werkstückklemme auf der rechten Seite befindet;
4. Schalten Sie die Maschine ein. Warten Sie, bis das Sägeblatt die volle Drehzahl erreicht hat;
5. Bewegen Sie nun den Griff langsam nach unten, so dass das Sägeblatt das Werkstück durchschneidet und durch den Schlitz im Tisch läuft. Üben Sie dabei keinen übermäßigen Druck auf die Säge aus, sondern lassen Sie die Maschine die Arbeit verrichten;
6. Heben Sie den Griff vorsichtig wieder hoch und schalten Sie die Maschine aus, indem Sie den Schalter loslassen.

Verwenden der Schiebefunktion

Für besonders breite Werkstücke ist diese Maschine mit einer Schiebefunktion ausgestattet. Lösen Sie zur Verwendung der Schiebefunktion die Sicherungsschraube für die Gleitschienen (29). Ziehen Sie den Griff (2) vom Anschlag (9) weg, bis sich das Sägeblatt vor dem Werkstück befindet. Führen Sie den Werkzeugarm langsam mit dem Griff nach unten, drücken Sie anschließend den Griff (2) in Richtung Anschlag (9) und sägen Sie das Werkstück mit gleichmäßigem Vorschub durch.

Bei kleinen Werkstücken ist es möglich, die Schiebefunktion in der hinteren Position der Säge mit der Sicherungsschraube für die Gleitschienen (29) zu fixieren. Wenn mehr Schnittbreite gewünscht wird, muss die Sicherungsschraube für die Gleitschienen (29) gelöst werden.

Verwenden des Längenschlags (Abb. O)

Wenn der Längenschlag (8) sowohl an der linken als auch an der rechten Tischverlängerung (10) anliegt, können Werkstücke einfach auf die gleiche Länge gesägt werden.

1. Bewegen Sie dazu den Längenschlag (8) nach oben;
2. Lösen Sie die Sicherungsschraube für die Tischverlängerung (34);
3. Stellen Sie die Tischverlängerung (10) auf die gewünschte Länge ein.
4. Ziehen Sie die Sicherungsschraube für die Tischverlängerung (34) fest.

Einstellen des Tiefenschlags (Abb. P)

Sie können den Tiefenschlag einstellen, um so die Schnitttiefe zu begrenzen. Das vereinfacht das Sägen einer Nut. Gehen Sie dazu wie folgt vor:

1. Lösen Sie die Rändelmutter für die Tiefeneinstellung (45);
2. Stellen Sie den Knopf für die Tiefeneinstellung (24) auf die gewünschte Tiefe ein;
3. Ziehen Sie die Rändelmutter für die Tiefeneinstellung fest (45).

Ein- und Ausschalten des Lasers (Abb. B)

Drücken Sie den Laser-Schalter (46), um den Laser ein- oder auszuschalten. Der Laser-Schalter (46) schaltet auch die LED-Arbeitsleuchte ein.

Feineinstellung



Ziehen Sie vor allen Einstellarbeiten den Netzstecker.

Zur Gewährleistung exakter Schnitte müssen die Grundeinstellungen der Säge vor der ersten Verwendung sowie nach intensivem Gebrauch überprüft und angepasst werden. Hierzu sind geeignete Spezialwerkzeuge erforderlich. Der Vonroc-Kundendienst hilft Ihnen, diese Arbeiten schnell und zuverlässig zu erledigen.

Feineinstellung des Lasers (Abb. Q)

Hinweis: Um die Laserfunktion zu testen, muss das Elektrowerkzeug an die Stromversorgung angeschlossen sein.



Während des Justierens des Lasers (z. B. beim Bewegen des Werkzeugarms) niemals den Ein-/Ausschalter betätigen. Ungewolltes Starten des Elektrowerkzeugs kann zu Verletzungen führen.

Wenn der Laser (18) nicht mehr die richtige Schnittlinie anzeigt, können Sie den Laser neu justieren. Gehen Sie dazu wie folgt vor:

1. Lösen Sie die Schrauben zur Lasereinstellung (48) und stellen Sie den Laser so ein, dass der Laserstrahl auf die Zähne des Sägeblatts (6) trifft;
2. Ziehen Sie die Schrauben zur Lasereinstellung (48) fest.

Feineinstellung des 0°-Schrägwinkels (Abb. R, S)

1. Stellen Sie den Gehrungs- und den Schrägwinkel auf 0° ein;
2. Senken Sie den Griff (2) ab und sichern Sie ihn mit dem Positionsverriegelungsknopf (38);
3. Blockieren Sie die Schlittenbewegung mit der Sicherungsschraube für die Gleitschienen (29);
4. Stellen Sie einen Winkelmesser auf 90° ein und legen Sie ihn auf den Tisch (11), wie in Abbildung S gezeigt. Der Schenkel des Winkelmessers muss über seine gesamte Länge mit dem Sägeblatt (6) bündig sein;
5. Lösen Sie die Sicherungsmutter für den 0°-Schrägwinkel (50);
6. Stellen Sie die Anschlagschraube für den 0°-Schrägwinkel (32) ein, bis der Schenkel des Winkelmessers auf seiner gesamten Länge mit dem Sägeblatt bündig ist;
7. Ziehen Sie die Sicherungsmutter für den 0°-Schrägwinkel (50) wieder fest.

Überprüfen Sie anschließend die Position des Winkelindikators (19). Lösen Sie den Indikator falls nötig mit einem Kreuzschlitzschraubendreher, stellen Sie die Skala für den Schrägwinkel (20) auf 0° und ziehen Sie die Halteschraube wieder fest.

Feineinstellung des 45°-Schrägwinkels (Abb. R, T)

1. Stellen Sie den Gehrungs- und den Schrägwinkel auf 45° ein;
2. Senken Sie den Griff (2) ab und sichern Sie ihn mit dem Positionsverriegelungsknopf (38);
3. Blockieren Sie die Schlittenbewegung mit der Sicherungsschraube für die Gleitschienen (29);
4. Stellen Sie einen Winkelmesser auf 90° ein und

legen Sie ihn auf den Tisch (11), wie in Abbildung T gezeigt. Der Schenkel des Winkelmessers muss über seine gesamte Länge mit dem Sägeblatt (6) bündig sein;

5. Lösen Sie die Sicherungsmutter für den 45°-Schrägwinkel (49);
6. Stellen Sie die Anschlagschraube für den 45°-Schrägwinkel (31) ein, bis der Schenkel des Winkelmessers auf seiner gesamten Länge mit dem Sägeblatt bündig ist;
7. Ziehen Sie die Sicherungsmutter für den 45°-Schrägwinkel (49) wieder fest.

Überprüfen Sie anschließend die Position des Winkelindikators (19). Lösen Sie den Indikator falls nötig mit einem Kreuzschlitzschraubendreher, stellen Sie die Skala für den Schrägwinkel (20) auf 45° und ziehen Sie die Halteschraube wieder fest.

Feineinstellung des 0°-Gehrungswinkels (Abb. U, V)

1. Legen Sie einen Winkelmesser mit 0°-Einstellung auf den Tisch (11) und positionieren Sie ihn zwischen Anschlag (9) und Sägeblatt (6);
2. Der Schenkel des Winkelmessers muss über seine gesamte Länge mit dem Sägeblatt (6) bündig sein;
3. Lösen Sie die Sicherungsschrauben für den verstellbaren Anschlag (35) und anschließend die Sicherheitsschrauben für den verstellbaren Anschlag (36).
4. Entfernen Sie den linken und den rechten verstellbaren Anschlag (7), wodurch die Anschlagschrauben (51) freigelegt werden.
5. Lösen Sie alle vier Anschlagschrauben (51) und stellen Sie den Anschlag (9) so ein, dass der Schenkel des Winkelmessers über seine gesamte Länge mit dem Sägeblatt bündig ist;
6. Ziehen Sie alle vier Anschlagschrauben (51) wieder fest. Überprüfen Sie anschließend die Position des Winkelindikators (17). Lösen Sie den Indikator falls nötig mit einem Kreuzschlitzschraubendreher, stellen Sie die Skala für den Gehrungswinkel (16) auf 0° und ziehen Sie die Halteschraube wieder fest.
7. Bringen Sie sowohl den linken als auch den rechten einstellbaren Anschlag (7) wieder an.
8. Ziehen Sie die Sicherungsschrauben für den verstellbaren Anschlag (35) und anschließend die Sicherheitsschrauben für den verstellbaren Anschlag (36) fest.

5. WARTUNG



Schalten Sie die Maschine vor der Reinigung und Wartung immer aus und ziehen Sie den Netzstecker aus der Steckdose.

Reinigen Sie das Werkzeuggehäuse regelmäßig mit einem weichen Lappen, vorzugsweise nach jeder Verwendung. Stellen Sie sicher, dass die Lüftungsöffnungen frei von Staub und Schmutz sind. Entfernen Sie anhaftenden Schmutz mit einem weichen Lappen, der leicht mit Seifenwasser befeuchtet wurde. Verwenden Sie keine Lösungsmittel wie Benzin, Alkohol, Ammoniak usw., da Chemikalien dieser Art die Kunststoffteile beschädigen.

Reinigung der Schutzabdeckungen

Überprüfen Sie immer die Schutzabdeckung (4) sowie die einziehbare Schutzabdeckung (5) auf Verunreinigungen, bevor Sie das Gerät verwenden. Entfernen Sie altes Sägemehl und Splitter mit einem Pinsel oder einem ähnlichen Werkzeug.

Austauschen des Tischeinsatzes



Tauschen Sie beschädigte Tischeinsätze sofort aus.

Bei einem beschädigten Tischeinsatz (13) besteht die Gefahr, dass sich kleine Teile zwischen Tischeinsatz und Sägeblatt verklemmen und das Sägeblatt blockieren. So tauschen Sie den Tischeinsatz aus:

1. Entfernen Sie die Schrauben des Tischeinsatzes mit einem Kreuzschlitzschraubendreher. Falls erforderlich, passen Sie den Gehrungs- und den Schrägwinkel an, um an diese Schrauben zu gelangen;
2. Nehmen Sie den Tischeinsatz heraus;
3. Setzen Sie den neuen Tischeinsatz ein;
4. Ziehen Sie die Schrauben mit einem Kreuzschlitzschraubendreher fest.

Gleitschienen

Schutz kann die Gleitschienen (25) und somit die Funktion der Säge beschädigen.

- Reinigen Sie die Gleitschienen regelmäßig mit einem weichen Tuch.
- Geben Sie etwas Schmieröl auf die Gleitschienen.
- Bewegen Sie die Gehrungssäge vorwärts und rückwärts, sodass sich das Öl komplett über die Schienen verteilen kann.

UMWELTSCHUTZ



Schadhafte und/oder zu entsorgende elektrische oder elektronische Werkzeuge und Geräte müssen an den dafür vorgesehenen Recycling-Stellen abgegeben werden.

Nur für EG-Länder

Entsorgen Sie Elektrowerkzeuge nicht über den Hausmüll. Entsprechend der EU-Richtlinie 2012/19/EG über Elektro- und Elektronik-Altgeräte sowie der Umsetzung in nationales Recht müssen Elektrowerkzeuge, die nicht mehr im Gebrauch sind, getrennt gesammelt und umweltschonend entsorgt werden.

GARANTIE

VONROC-Produkte werden nach den höchsten Qualitätsstandards entwickelt und sind für den gesetzlich festgelegten Zeitraum, ausgehend von dem ursprünglichen Kaufdatum, garantiert frei von Fehlern in Material und Ausführung. Sollte das Produkt in diesem Zeitraum aufgrund von Material- und/oder Verarbeitungsmängeln Fehler aufweisen, wenden Sie sich bitte direkt an VONROC Kundendienst.

Folgende Umstände sind von der Garantie ausgeschlossen:

- Reparaturen und oder Änderungen an der Maschine, die durch nicht-autorisierte Servicetechniken vorgenommen oder versucht wurden.
- Normale Abnutzung und Verschleiß.
- Das Werkzeug wurde übermäßig beansprucht, missbräuchlich verwendet oder falsch gewartet.
- Es wurden keine Original-Ersatzteile verwendet.

Dies stellt die einzige Gewährleistung des Unternehmens dar, sowohl ausdrücklich als auch implizit. Es gibt keine anderen ausdrücklichen oder stillschweigenden Garantien, die über das hier Genannte hinausgehen, einschließlich der stillschweigenden Garantien der Marktgängigkeit oder Eignung für einen bestimmten Zweck. In keinem Fall ist VONROC haftbar für Neben- oder Folgeschäden. Die Rechtsmittel des Händlers beschränken sich auf Reparatur oder Ersatz fehlerhafter Einheiten oder Teile.

Am Produkt und am Benutzerhandbuch können Änderungen vorgenommen werden. Die technischen Daten können sich ohne Vorankündigung ändern.

1. VEILIGHEIDSVOORSCHRIFTEN

Lees de bijgesloten veiligheidswaarschuwingen, de aanvullende veiligheidswaarschuwingen en de instructies. Het niet opvolgen van de veiligheidswaarschuwingen kan elektrische schokken, brand en/of ernstig letsel tot gevolg hebben. Bewaar de veiligheidswaarschuwingen en instructies als naslagwerk voor later.

De volgende symbolen worden gebruikt in de gebruikershandleiding of op het product:



Lees de gebruikershandleiding.



Gevaar voor lichamelijk letsel, overlijden of schade aan de machine wanneer de instructies in deze handleiding niet worden opgevolgd.



Gevaar voor elektrische schokken.



Houd omstanders op afstand.



Draag een stofmasker.



Draag gehoorbescherming.



Draag oogbescherming.



Let op: laserstraling Kijk niet in de straal Klasse 2 laser.



Houd uw handen uit de buurt van de plaats waar gezaagd wordt, terwijl het elektrische gereedschap aan staat. Bij aanraking van het zaagblad bestaat verwondingsgevaar.



Gevarezone! Houd handen, vingers of armen zo veel mogelijk hier uit de buurt.



Transporteer de machine alleen als deze in de inwaartse transport positie staat.



Klasse II apparaat - Dubbel geïsoleerd - Een geaarde stekker is niet noodzakelijk.



Het product is in overeenstemming met de van toepassing zijnde veiligheidsnormen in de Europese richtlijnen.



Bij het zagen van verstekhoeken moet de verstelbare aanslagrail naar buiten getrokken worden.



Let op de afmetingen van het zaagblad. De gatdiameter moet zonder speling op de uitgaande as passen. Indien het gebruik van reduceerstukken nodig is, dient u erop te letten dat de afmetingen van het reduceerstuk passen bij de zaagbladdikte en bij de gatdiameter van het zaagblad evenals bij de diameter van de uitgaande as. Gebruik indien mogelijk de met het zaagblad meegeleverde reduceerstukken. De zaagbladdiameter moet overeenkomen met de informatie op het symbool.

ALGEMENE VEILIGHEIDSVOORSCHRIFTEN



WAARSCHUWING! Lees alle veiligheids- waarschuwingen en instructies, en bekijk alle afbeeldingen en specificaties die met dit elektrische gereedschap zijn meegeleverd. Het niet opvolgen van alle onderstaande instructies kan een elektrische schok, brand en/of ernstig letsel tot gevolg hebben.

Bewaar deze instructies goed.

De term "elektrisch gereedschap" in onderstaande waarschuwingen heeft betrekking op zowel apparatuur met een vaste elektriciteitskabel als op apparatuur met een accu (draadloze apparatuur).

1) Werkgebied

- a) **Zorg voor een opgeruimde en goed verlichte werkomgeving.** Rommelige en donkere werkomgevingen leiden tot ongelukken.
- b) **Gebruik elektrisch gereedschap nooit in een omgeving waar explosiegevaar bestaat, zoals in de nabijheid van ontvlambare vloeistoffen, gassen, dampen of andere stoffen.** Elektrische gereedschappen kunnen vonken veroorzaken, die deze stoffen tot ontbranding kunnen brengen.

- c) **Wanneer u elektrisch gereedschap gebruikt, houd dan kinderen en omstanders op afstand.** Wanneer u wordt afgeleid, kunt u de controle over het gereedschap verliezen.
- 2) **Elektrische veiligheid**
- a) **Stekkers van elektrische gereedschappen moeten probleemloos passen op het stopcontact. Breng nooit wijzigingen aan in of aan de stekker. Gebruik geen adapters voor geaarde elektrische gereedschappen.** Standaardstekkers en passende stopcontacten verkleinen de kans op een elektrische schok.
- b) **Voorkom lichamelijk contact met geaarde oppervlakken van bijvoorbeeld pijpen, leidingen, radiatoren, fornuizen en koelkasten.** Wanneer uw lichaam geaard is, wordt de kans op een elektrische schok groter.
- c) **Stel elektrische gereedschappen nooit bloot aan regen of vocht.** Wanneer er water binnendringt in een elektrisch gereedschap, wordt de kans op een elektrische schok groter.
- d) **Gebruik het snoer niet om het elektrisch gereedschap te dragen, te verplaatsen of de stekker uit het stopcontact te trekken. Bescherm het snoer tegen olie, warmte, scherpe randen en bewegende delen.** Beschadigde of vastzittende snoeren vergroten de kans op een elektrische schok.
- e) **Wanneer u elektrische gereedschappen buiten gebruikt, gebruik dan een verlengkabel die geschikt is voor buitengebruik.** Door een kabel te gebruiken die geschikt is voor buitengebruik, wordt de kans op een elektrische schok kleiner.
- f) **Gebruik een aardlekbeveiliging (RCD) als niet te voorkomen is dat een powertool moet worden gebruikt in een vochtige omgeving.** Gebruik van een RCD vermindert het risico van elektrische schokken.
- 3) **Persoonlijke veiligheid**
- a) **Blijf altijd alert, kijk goed wat u doet en gebruik uw gezonde verstand wanneer u een elektrisch gereedschap gebruikt. Gebruik geen elektrische gereedschappen wanneer u moe bent, of drugs, alcohol of medicijnen hebt gebruikt.** Eén moment van onachtzaamheid bij het gebruik van elektrische gereedschappen kan ernstige verwondingen tot gevolg hebben.
- b) **Gebruik persoonlijke beschermingsmiddelen. Draag altijd een veiligheidsbril.** Een gepast gebruik van veiligheidsvoorzieningen, zoals een stofmasker, speciale werkschoenen met antislipzolen, een veiligheidshelm en gehoorbescherming verkleinen de kans op persoonlijk letsel.
- c) **Voorkom dat het gereedschap per ongeluk wordt gestart. Zorg dat de schakelaar op de UIT positie staat, voordat u de stekker in het stopcontact steekt.** Draag elektrisch gereedschap nooit met uw vinger op de schakelaar en steek ook nooit de stekker van ingeschakelde elektrische gereedschappen in het stopcontact: dit leidt tot ongelukken.
- d) **Verwijder alle instel en andere sleutels uit het elektrisch gereedschap voordat u hem inschakelt.** Instel en andere sleutels aan een ronddraaiend onderdeel van het elektrisch gereedschap kunnen tot verwondingen leiden.
- e) **Zorg dat u nooit uw evenwicht kunt verliezen; houd altijd twee voeten stevig op de vloer.** Hierdoor kunt u het elektrisch gereedschap in onverwachte situaties beter onder controle houden.
- f) **Zorg dat u geschikte kleding draagt. Draag geen loshangende kleding of sieraden. Houd uw haar, kleding uit de buurt van bewegende delen.** Loshangende kleding, sieraden en lang haar kunnen vast komen te zitten in bewegende delen.
- g) **Wanneer er voorzieningen zijn voor de aansluiting van stofafzuiginstallaties, zorg dan dat ze op de juiste wijze worden aangesloten en gebruikt.** Gebruik van deze voorzieningen vermindert de gevaren die door stof worden veroorzaakt.
- h) **Denk niet dat doordat u gereedschap vaak gebruikt, u wel weet hoe het allemaal werkt en dat u de veiligheidsbeginselen voor het gebruik van het gereedschap wel kunt negeren.** Een onbezonnen actie kan in een fractie van een seconde ernstig letsel tot gevolg hebben.
- 4) **Gebruik en onderhoud van elektrisch gereedschap**
- a) **Oefen geen overmatige kracht uit op elektrisch gereedschap. Gebruik het juiste gereedschap voor uw specifieke toepassing.** Met het juiste elektrische gereedschap voert u de taak beter en veiliger uit wanneer dit op de snelheid gebeurt waarvoor het apparaat is ontworpen.
- b) **Gebruik nooit elektrisch gereedschap waarvan de AAN/UITschakelaar niet werkt.** Ieder elektrisch gereedschap dat niet kan worden in en uitgeschakeld met de schakelaar is gevaarlijk en moet worden gerepareerd.
- c) **Neem de stekker van het elektrische gereed-**

schap uit het stopcontact en/of verwijder de batterijen (indien uitneembaar) voordat enige aanpassingen worden uitgevoerd, accessoires worden vervangen of elektrisch gereedschap wordt opgeborgen. Wanneer u zich aan deze preventieve veiligheidsmaatregelen houdt, beperkt u het risico dat het gereedschap per ongeluk wordt gestart.

- d) **Berg elektrisch gereedschap dat niet in gebruik is op buiten bereik van kinderen en laat personen die niet bekend zijn met het gereedschap of deze instructies het apparaat niet gebruiken.** Elektrisch gereedschap is gevaarlijk in de handen van ongeofende gebruikers.
 - e) **Elektrisch gereedschap en accessoires onderhouden. Controleer of bewegende delen op de juiste wijze zijn vastgezet. Controleer ook of er geen onderdelen defect zijn of dat er andere omstandigheden zijn die van invloed kunnen zijn op de werking van het gereedschap. Laat het gereedschap bij beschadigingen repareren vóór gebruik.** Veel ongelukken worden veroorzaakt door slecht onderhoud van het gereedschap.
 - f) **Zorg dat snij en zaagwerktuigen scherp en schoon blijven.** Goed onderhouden snij en zaagwerktuigen met scherpe randen zullen minder snel vastlopen en zijn eenvoudiger onder controle te houden.
 - g) **Gebruik alle elektrische gereedschappen, accessoires, bitjes etc., zoals aangegeven in deze instructies en op de wijze waarvoor het gereedschap is ontworpen. Houd daarbij rekening met de werkomstandigheden en de uit te voeren taak.** Gebruik van elektrisch gereedschap voor handelingen die afwijken van de taken waarvoor het apparaat is ontworpen kunnen leiden tot gevaarlijke situaties.
 - h) **Houd handgrepen en greepoppervlakken droog, schoon en vrij van olie en vet.** Gladde handgrepen en greepoppervlakken maken veilig werken en controle over het gereedschap in onverwachte situaties onmogelijk.
- 5) Service**
- a) **Laat uw gereedschap onderhouden door een gekwalificeerde onderhoudstechnicus die alleen gebruikmaakt van identieke vervangingsonderdelen.** Dit zorgt ervoor dat de veiligheid van de powertool intact blijft.

AANVULLENDE VEILIGHEIDSVORSCHRIFTEN

- **Verstekzagen zijn bestemd voor het zagen van hout of houtachtige materialen, ze kunnen niet worden gebruikt met doorslijpschijven voor het doorslijpen van ferrometalen zoals stangen, staven, spijkers enz.** Slijpstof kan ervoor zorgen dat bewegende delen zoals de onderste beschermkap blokkeren. Vonken die bij doorslijpen ontstaan, leiden tot brandplekken bij de onderste beschermkap, de verstekzaggabak en andere kunststof onderdelen.
- **Gebruik indien mogelijk lijmklemmen om het werkstuk te ondersteunen. Als u het werkstuk met de hand ondersteunt, moet u uw hand aan beide kanten altijd op een afstand van ten minste 100 mm van het zaagblad houden. Gebruik deze zaag niet om stukken te zagen die te klein zijn om veilig vastgeklemd of met de hand vastgehouden te worden.** Als uw hand te dicht bij het zaagblad wordt geplaatst, bestaat er een verhoogd risico op letsel door contact met het zaagblad.
- **Het werkstuk moet stationair en vastgeklemd zijn of tegen zowel de geleider als de tafel worden gehouden. Voer het werkstuk niet in het zaagblad of zaag op geen enkele manier uit de vrije hand.** Niet vastgeklemd of bewegende werkstukken zouden met hoge snelheden weggeslingerd kunnen worden en zo letsel kunnen veroorzaken.
- **Duw de zaag door het werkstuk. Trek de zaag niet door het werkstuk. Zo gaat het zagen in zijn werk: u tilt de zaagkop omhoog en trekt deze zonder te zagen over het werkstuk heen, u start de motor, duwt de zaagkop omlaag en u duwt de zaag door het werkstuk.** Zagen met een trekkende beweging kan het zaagblad naar de bovenkant van het werkstuk laten klimmen en daardoor kan het zaagblad met geweld in de richting van de bediener worden geslingerd.
- **Beweeg nooit met uw hand over de geplande zaaglijn voor of achter het zaagblad. Het met gekruiste handen ondersteunen van het werkstuk, d.w.z. het werkstuk met rechts vasthouden en het zaagblad met links of omgekeerd, is heel gevaarlijk.**
- **Kom achter de geleider niet met uw handen binnen een afstand van 100 mm van het draaiende zaagblad, om houtafval te verwijderen of om enige andere reden.** Het is misschien niet meteen duidelijk dat het draaiende zaagblad zo dicht bij uw hand is en u zou ernstig gewond kunnen raken.

- **Controleer uw werkstuk vóór het zagen. Als het werkstuk gebogen of krom is, klem dit dan met de naar buiten gebogen kant naar de geleider toe. Zorg er altijd voor dat er langs de zaaglijn geen opening is tussen het werkstuk, de geleider en de tafel.** Gebogen of kromme werkstukken kunnen draaien of verschuiven en ertoe leiden dat het draaiende zaagblad tijdens het zagen klem komt te zitten. Er mogen geen spijkers of vreemde voorwerpen in het werkstuk zitten.
- **Gebruik de zaag pas, als de tafel vrij is van alle gereedschappen, houtafval enz. en er alleen het werkstuk op ligt.** Kleine stukjes afval of losse stukken hout of andere voorwerpen die met het draaiende zaagblad in aanraking komen, kunnen met een hoge snelheid worden weggeslingerd.
- **Zaag maar één werkstuk tegelijkertijd.** Meerdere op elkaar gestapelde werkstukken kunnen niet goed worden vastgeklemd of vastgezet en kunnen ervoor zorgen dat het zaagblad tijdens het zagen klem komt te zitten of verschuift.
- **Zorg ervoor dat de verstekzaag vóór gebruik op een vlakke, stevige ondergrond wordt gemonteerd of geplaatst.** Een vlakke en stevige ondergrond vermindert het risico dat de verstekzaag onstabiel wordt.
- **Plan uw werk. Telkens als u de instelling voor de schuinite of verstekhoek wijzigt, moet u ervoor zorgen dat de verstelbare geleider correct is ingesteld voor ondersteuning van het werkstuk en het zaagblad of de beschermkap niet hindert.** Maak zonder de machine in te schakelen en zonder werkstuk op de tafel met het zaagblad een volledige gesimuleerde zaagbeweging om er zeker van te zijn dat er geen obstakels zijn of dat er geen gevaar is voor het doorzagen van de geleider.
- **Zorg voor voldoende ondersteuning, zoals tafelverlengingen, zaagbokken, enz., voor een werkstuk dat breder of langer is dan de bovenkant van de tafel.** Werkstukken die langer of breder zijn dan de verstekzaag, kunnen zonder een veilige ondersteuning kantelen. Als het afgezaagde stuk of het werkstuk kantelt, kan het de onderste beschermkap optillen of door het draaiende zaagblad worden weggeslingerd.
- **Gebruik geen andere persoon als vervanging voor een tafelverlenging of als extra ondersteuning.** Onstabiele ondersteuning voor het werkstuk kan ervoor zorgen dat het zaagblad klem komt te zitten of dat het werkstuk tijdens het zagen verschuift, waardoor u en uw helper in het draaiende zaagblad worden getrokken.
- **Het afgezaagde stuk mag absoluut niet tegen het draaiende zaagblad worden geklemd of gedrukt. Als het afgezaagde stuk ingesloten zit, d.w.z. bij het gebruik van lengteaanslagen, dan zou het tegen het zaagblad vast kunnen komen zitten en met geweld weggeslingerd kunnen worden.**
- **Gebruik altijd een lijmklem of een spanrichting die speciaal voor het ondersteunen van rond materiaal als stokken e.d. is ontworpen.** Stokken hebben de neiging om tijdens het zagen te gaan rollen, waardoor het zaagblad gaat “bijten” en het werkstuk met uw hand in het zaagblad trekt.
- **Laat het zaagblad zijn volle snelheid bereiken, voordat u dit met het werkstuk in aanraking brengt.** Dit vermindert het risico dat het werkstuk weggeslingerd wordt.
- **Als het werkstuk of het zaagblad klem komt te zitten, schakelt u de verstekzaag uit. Wacht tot alle bewegende delen tot stilstand zijn gekomen en trek de stekker uit het stopcontact of verwijder de accu. Maak het klemzittende materiaal dan vrij.** Als u met een klemzittend werkstuk doorgaat met zagen, dan verliest u de controle of wordt de verstekzaag beschadigd.
- **Nadat het zagen voltooid is, laat u de schakelaar los, houdt u de zaagkop omlaag en wacht u tot het zaagblad tot stilstand is gekomen, voordat u het afgezaagde stuk verwijderd.** Het is gevaarlijk om met uw hand in de buurt van het uitlopende zaagblad te komen.
- **Houd de handgreep stevig vast, wanneer u een onvolledige zaagsnede maakt of wanneer u de schakelaar loslaat, voordat de zaagkop zich helemaal in de onderste positie bevindt.** Het afremmen van de zaag kan ervoor zorgen dat de zaagkop plotseling omlaag wordt getrokken, waardoor het risico van letsel ontstaat.
- **Houd uw werkplek schoon.** Materiaalmengsels zijn erg gevaarlijk. Lichtmetaalstof kan branden of ontploffen.
- **Gebruik geen stompe, gescheurde, verbogen of beschadigde zaagbladen. Zaagbladen met stompe of verkeerd gerichte tanden veroorzaken door een te nauwe zaagopening een verhoogde wrijving, vastklemmen van het zaagblad of terugslag.**
- **Gebruik geen zaagbladen van hooggelegeerd sneldraaistaal (HSS-staal).** Dergelijke zaagbladen kunnen gemakkelijk breken.

- **Gebruik altijd zaagbladen waarvan de asgaten de juiste afmeting en vorm (ruitvormig versus rond) hebben.** Zaagbladen die niet overeenkomen met de bevestigingsmiddelen van de zaag kunnen uit balans raken en ervoor zorgen dat u de controle over het gereedschap verliest.
- **Vervang de ingebouwde laser niet door een laser van een ander type.** Van een laser die niet bij dit elektrische gereedschap past, kunnen gevaren voor personen uitgaan.
- **Verwijder nooit slijpresten, houtspanen e.d. uit de buurt van de plaats waar wordt geslepen, terwijl het elektrische gereedschap loopt.** Breng de gereedschaparm altijd eerst in de ruststand en schakel het elektrische gereedschap uit.
- **Pak het zaagblad na de werkzaamheden niet vast, voordat het afgekoeld is.** Het zaagblad wordt tijdens de werkzaamheden zeer heet.
- **Maak waarschuwingstickers op elektrisch gereedschap nooit onleesbaar.**
- **Als laserstraling het oog raakt, dan moeten de ogen bewust gesloten worden en moet het hoofd onmiddellijk uit de straal bewogen worden.**
- **Gebruik geen optisch concentrerende instrumenten, zoals verrekijker enz. voor het bekijken van de stralingsbron.** U kunt hiermee uw ogen beschadigen.
- **Richt de laserstraal niet op personen die door een verrekijker of iets dergelijks kijken.** U kunt hiermee hun ogen beschadigen.
- **Breng geen wijzigingen aan de laserinrichting aan.** De in deze gebruiksaanwijzing beschreven instelmogelijkheden kunt u zonder gevaar gebruiken.
- **Ga niet op één lijn met het zaagblad voor het elektrisch gereedschap staan.** Ga altijd opzij van het zaagblad staan. Dit voorkomt een mogelijke terugslag tegen uw lichaam.
- **Houd handen, vingers en armen weg bij het roterende zaagblad.**
- **Reik niet met één hand over de andere voor de arm van het gereedschap.**
- **Laat de tanden van het zaagblad niet te heet worden. Zet de machine stil wanneer de tanden van het zaagblad te heet worden.** Gebruik de machine pas weer wanneer het zaagblad is afgekoeld.
- **Vervang beschadigde of versleten zaagbladen onmiddellijk.**
- **Gebruik uitsluitend zaagbladen waarvan de specificaties overeenkomen met die in deze bedieningshandleiding en zaagbladen die zijn**

getest en gemarkeerd in overeenstemming met EN 847-1.

- **Wanneer u gebogen of ronde werkstukken zaagt, is het belangrijk dat deze goed worden vastgezet zodat ze niet kunnen wegglijden. Bij de zaaglijn mag er geen ruimte zijn tussen het werkstuk, de langseleiding en de zaagtafel.** Zo nodig, moet u speciale voorzieningen maken.

Elektrische veiligheid



Controleer altijd of de spanning van de stroomtoevoer overeenkomt met de spanning op het typeplaatje.

- Wanneer het netsnoer beschadigd raakt, dan dient het vervangen te worden door een speciaal netsnoer dat verkrijgbaar is bij de customer service van de fabrikant.
- Gebruik uitsluitend verlengkabels die geschikt zijn voor het vermogen van de machine met een minimale dikte van 1,5 mm². Indien u een verlengkabelhaspel gebruikt, rol dan altijd de kabel volledig uit.

2. TECHNISCHE INFORMATIE

Bedoeld gebruik

Dit gereedschap is bedoeld als stationaire machine voor het uitvoeren van rechte lengte- en dwarsneden in hout in de richting van de nerf en dwars op de nerf. U kunt verstekzaagsneden maken van -45° tot +45° en schuine zaagsneden van -0° tot +45°. Het elektrisch gereedschap met het gemonteerde zaagblad is ontworpen voor het met voldoende capaciteit zagen van hardhout en zachthout, en ook van spaanplaat en vezelplaat. Het zaagblad is niet ontworpen voor het zagen van brandhout. Gebruik de zaag niet voor het zagen van andere dan die in de handleiding worden beschreven materialen.

TECHNISCHE SPECIFICATIES

Model nr	MS504AC
Spanning	220-240V~
Frequentie	50 Hz
Vermogen	1800W S1 - 2200W S6 40%*
Onbelaste snelheid	5200/min
Hoek voor verstekzagen	-45° <> +45°
Hoek voor afschuinen	-45° < 0° alleen links

Zaagblad specificaties:	
Diameter	Ø 216 mm
Bladdikte	1,6 mm
Zaagbreedte	2,8 mm
Asgatdiameter	Ø 30 mm
Aantal tanden	40T
Max. Zaagcapaciteit (hoogte x breedte):	
Verstek 0° - Schuin 0°	65 x 300 mm
Verstek 0° - Schuin 45°	38 x 300 mm
Verstek 45° - Schuin 0°	65 x 200 mm
Verstek 45° - Schuin 45°	38 x 200 mm
Minimale werkstukafmetingen	3 x 10 mm
Laser specificaties:	
Klasse	2
Golflengte	650 nm
Vermogen	< 1 mW
Gewicht	14 kg
Lpa (Geluidsdruk)	98 dB(A) KpA: 3 dB(A)
Lwa (Geluidsvermogen)	111 dB(A) KWA: 3 dB(A)

- * Bedrijfsmodus S6, ononderbroken periodiek bedrijf. De bedrijfstijd is opgebouwd uit een opstarttijd, een tijd met een constante belasting en een uitlooptijd. De cyclustijd bedraagt 10 minuten en de relatieve inschakelduur bedraagt 40% van de cyclustijd.

BESCHRIJVING

De nummers in de tekst verwijzen naar de diagrammen op pagina 2-7.

- Ontgrendelingsknop
- Handgreep
- Aan/Uit-schakelaar
- Beschermkap
- Intrekbare beschermkap
- Zaagblad
- Verstelbare langsgleiding
- Lengtestop
- Langsgleiding
- Tafelverlengstuk
- Tafel
- Montagegaten
- Zaagplaat
- Knop voor afstelling van verstek
- Hendel voor afstelling van verstek
- Schaalverdeling voor verstekhoek
- Indicator voor verstekhoek
- Laser

- Indicator voor schuine hoek
- Schaalverdeling voor schuine hoek
- Werkstukkleem
- Knop voor afstelling van schuine hoek
- Rolwiel
- Bout voor diepteafstelling
- Schuifrails
- Stofzak
- Draaghandgreep
- Stofuitgang
- Vergrendelbout voor schuifrails
- Verstekarm
- Stopbout voor schuine hoek 45°
- Stopbout voor schuine hoek 0°
- Vergrendelbout voor werkstukkleem
- Vergrendelbout voor tafelverlengstuk
- Vergrendelbout voor verstelbare langsgleiding
- Bout voor borging van verstelbare langsgleiding
- Voorste kantebescherming
- Knop voor positievergrendeling
- Knop verstekarm
- Borgbout
- Klemflens
- Klembout
- Asvergrendeling
- Knop voor werkstukkleem
- Kartelmoer voor diepteafstelling
- LED-werklicht
- Bout verstekarm
- Schroeven voor laserafstelling
- Vergrendelbout voor schuine hoek 45°
- Vergrendelbout voor schuine hoek 0°
- Bouten langsgleiding
- Verstekarmhouder

3. ASSEMBLAGE



Schakel voor assemblage altijd de machine uit en verwijder de netstekker uit het stopcontact.

Transportstand (Afb. B, C)

De knop voor positievergrendeling (38) maakt het gemakkelijker het elektrisch gereedschap van de ene werklocatie naar de andere te vervoeren.

De transportstand ontgrendelen (werkstand)

- Druk de handgreep (2) wat naar beneden;
- Trek de knop voor positievergrendeling (38) geheel naar buiten en vergrendel de knop door deze te draaien;
- Verplaats de handgreep (2) langzaam omhoog.

De transportstand vergrendelen (transportstand)

Controleer, voor u het gereedschap in de transportstand vergrendelt, dat de diepteafstellingsbout (24) is afgesteld op oneindige diepte. Zo kan de handgreep (2) geheel naar beneden worden verplaatst zonder dat de diepteaanslag wordt geraakt. Verwijder ook alle accessoires die niet stevig op de machine kunnen worden vastgezet.

1. Draai de vergrendelbout voor schuifrails (29) los, als deze is vastgezet;
2. Trek de handgreep (2) naar voren naar u toe en zet de vergrendelbout voor schuifrails (29) vast;
3. Druk de handgreep (2) geheel naar beneden;
4. Vergrendel de knop voor positievergrendeling (38) door deze eerst uit te trekken en vervolgens te draaien;
5. Wind de voedingskabel op en bind deze bij elkaar met de bijgeleverde kabelbinder.

Wanneer u de machine hebt vergrendeld in de transportstand, kunt u het apparaat veilig dragen en vervoeren aan de draaghandgreep (27).



Draag de machine uitsluitend aan de draaghandgreep en nooit aan de beschermkappen.

Montage van de verstekarm (Afb. D, Y)

Het voorste gedeelte van het oppervlak van de tafel, hierna genoemd verstekarm (30), kan worden verwijderd en zo kan de verstekzaag die al compact is, tot nog kleinere afmetingen worden teruggebracht. De verstekarm monteren:

1. Ontgrendel de transportstand (werkstand);
2. Maak de knop (14) voor afstelling van verstek los;
3. Draai de tafel (11) naar links of naar rechts naar de 0°-voorkeuzestand. U kunt de hoek met behulp van de indicator voor de verstekhoek (17) aflezen op de schaalverdeling voor de verstekhoek (16);
4. Trek met één hand aan de knop (39) van de verstekarm en houd de knop vast, zoals in afbeelding D1 wordt getoond;
5. Plaats met de andere hand de verstekarm (30) op de tafel (11), zoals wordt getoond in afbeelding D2, terwijl u aan de hendel (15) voor afstelling van het verstek trekt. Let erop dat de omgekeerde driehoekige uiteinden van de verstekarm (30) goed in de gelijkvormige uitsparingen in tafel (11) passen;

6. Laat nu de knop (39) van de verstekarm en de hendel voor aanpassing van het verstek (15) los;
7. Zet de verstekarm (30) vast door de bout (47) van de verstekarm vast te zetten, zoals wordt getoond in afbeelding D-3.

NB: wanneer de verstekarm (30) gedemonteerd is, kunt u deze opbergen in de verstekarmhouder (52), zoals wordt getoond in afbeelding Y.

Een stationaire machine installeren (Afb. A, B, D)

Voor gegarandeerd veilig werken met het elektrisch gereedschap moet het voor gebruik worden gemonteerd op een vlak, stabiel werkoppervlak (bijv. een werkbank). U kunt de machine op drie manieren installeren:

1. Op een werkbank

In dit geval moet de machine met geschikte bouten op de werkbank worden gemonteerd. Doe dit met behulp van de vier gaten (12). Zoals getoond op fig. D

2. Op een onderframe

Lees alle waarschuwingen en instructies die bij de zaagstandaard worden geleverd. Geeft u geen gevolg aan de veiligheids-waarschuwingen en de instructies dan kan dat leiden tot een elektrische schok, brand en/of ernstig letsel.



Zet de zaagstandaard goed in elkaar voor u het elektrisch gereedschap erop monteert. Dit is van belang omdat dan het risico dat de standaard in elkaar valt wordt voorkomen.

In dit geval moet de machine met bouten op het onderframe worden gemonteerd. Doe dit met behulp van de vier gaten (12). Het onderframe moet met 4 bouten worden verankerd op de vloerplaat die ten minste 1 vierkante meter groot is. Monteer het elektrisch gereedschap in de transportstand op de zaagstandaard.

3. Flexibele installatie

Dit type installatie wordt niet aanbevolen door de fabrikant.

Als, in uitzonderlijke omstandigheden, het niet mogelijk is het elektrisch gereedschap op een vlak en stabiel werkoppervlak te monteren, kunt u improvise-

ren door bij de installatie gebruik te maken van de kantelbeveiliging.



Zonder de kantelbeveiliging is het elektrisch gereedschap niet stabiel en kan omvallen, vooral bij zagen in de maximale verstekhoek en/of in schuine hoeken.

- De beveiliging tegen achterwaarts kantelen staat vast op de grondplaat van de machine en kan niet worden afgesteld.
- Draai de voorste kantelbeveiliging (37) naar binnen of naar buiten, zoals wordt getoond in afbeelding F tot het elektrisch gereedschap waterpas op het werkoppervlak staat.

De beschermkap controleren (Afb. A)

De intrekbare beschermkap (5) biedt bescherming tegen onbedoeld contact met het zaagblad en tegen rondvliegende spaanders. Vóór gebruik moet worden gecontroleerd dat de zaagbladbeschermkap goed functioneert. U kunt dit doen door de handgreep (2) omlaag te trekken en het volgende te controleren:

- De intrekbare beschermkap (5) moet toegang krijgen tot het zaagblad (6) zonder dat de kap andere onderdelen raakt.
- Wanneer u de zaag omhoog vouwt in de startpositie, moet de intrekbare beschermkap (5) automatisch het gehele zaagblad (6) bedekken.

Het zaagblad vervangen (Afb. G)



Voor u werk aan de machine uitvoert, moet u eerst de stekker uit het stopcontact trekken.



Draag beschermende handschoenen wanneer u het zaagblad monteert. Gevaar voor persoonlijk letsel wanneer u het zaagblad aanraakt.



Gebruik alleen zaagbladen waarvan de typische gegevens overeenkomen met die in de bedieningsinstructies. Gebruik alleen zaagbladen die een snelheidsmarkering hebben die gelijk is aan of hoger is dan de snelheid die is gemarkeerd op de machine.



Gebruik de machine onder geen enkele omstandigheid met slijpschijven als zaaggereedschap.

U wordt tijdens eerste geadviseerd voor u het zaagblad vervangt, de verstekhoek en de hoek voor schuine zaagsneden op 0° te zetten. Anders zal de toegang tot het zaagblad beperkt zijn.

Het zaagblad verwijderen

1. Vergrendel de zaag in de bovenste stand door middel van de knop (38) voor positievergrendeling;
2. Draai de borgbout (40) los met een kruiskop-schroevendraaier, zoals wordt getoond in afbeelding G1; WAARSCHUWING! Verwijder de borgbout (40) niet geheel, draai de bout alleen los.
3. Vouw de intrekbare beschermkap (5) omhoog tot u vrij toegang hebt tot de klembout (42), zoals wordt getoond in afbeelding G2;
4. Steek de inbussleutel in de klembout (42). De intrekbare beschermkap (5) kan worden losgemaakt, de kap vouwt op de inbussleutel.
5. Draai de klembout (42) met de inbussleutel (34) en druk tegelijkertijd op de asvergrendeling (43) tot deze ingrijpt.
6. Houd de asvergrendeling (43) stevig vast en draai de klembout (42) door deze naar rechts te draaien (linkse draad).
7. Verwijder de klembout (42) en de klemflens (41). Daarna kan het zaagblad (6) worden verwijderd.

Het zaagblad monteren



Controleer, wanneer u het zaagblad monteert, dat de zaagrichting van de tanden (richting van de pijl over de zaagblad) overeenkomt met de richting van de pijl op de beschermkap (4).



Controleer, wanneer u het zaagblad (6) monteert, dat het vrij kan draaien in de zaagplaat (13) in de instellingen op 0° en 45°.

1. Reinig het zaagblad en alle te monteren klemonderdelen.
2. Draai de borgbout (40) los met een kruiskop-schroevendraaier, zoals wordt getoond in afbeelding G1; WAARSCHUWING! Verwijder de borgbout (40) niet geheel, draai de bout alleen los.
3. Vouw de intrekbare beschermkap (5) omhoog tot u vrij toegang hebt tot de klembout (42), zoals wordt getoond in afbeelding G2;
4. Steek de inbussleutel in de klembout (42). De intrekbare beschermkap (5) kan worden losgemaakt, de kap vouwt op de inbussleutel.

5. Monteer de klemflens (41). Let erop dat de vlakke zijden van de klemflens overeen moeten komen met de vlakke zijden van de schacht van het zaagblad. Controleer ook dat de bolle zijde van de klemflens naar buiten is gemonteerd.
6. Plaats de klembout (42) en draai de bout met de inbussleutel en druk tegelijkertijd op de asvergrendeling (43) tot deze ingrijpt.
7. Houd de asvergrendeling (43) stevig vast en draai de klembout (42) door deze naar links te draaien.

Stofafzuiging (Afb. A, B, W, X)



Zorg voor een goede ventilatie op de werkplek.



Draag bescherming tegen stof.

Het stof van materialen zoals loodverf en bepaalde soorten hout kan schadelijk zijn voor de gezondheid. Het inademen van deze stof kan allergische reacties en/of aandoeningen van de luchtwegen veroorzaken bij de gebruiker of bij mensen in de nabijheid. Bepaald stof, zoals dat van eikenhout of beukenhout worden geclassificeerd als kankerverwekkend, vooral in combinatie met toevoegingen voor houtbehandeling (chromaat, houtconserveermiddelen). Wij adviseren een systeem voor stofafzuiging te gebruiken, dat geschikt is voor het materiaal, wanneer dat maar mogelijk is.



Vermijd de opeenhoping van stof op de werkplek. Stof kan gemakkelijk tot ontbranding komen.

Het systeem voor stofafzuiging kan verstopt raken door stof, spaanders of snippers van het werkstuk. Daarom moet het systeem regelmatig worden schoongemaakt. Dat doet u als volgt:

1. Trek de stekker uit het stopcontact.
2. Wacht tot het zaagblad geheel tot stilstand is gekomen.
3. Verwijder eventuele blokkades

De stofzak bevestigen (Afb. W)

Druk de klem van de stofzak (26) in en schuif de zak op de opening (28) aan de achterkant van de machine. De stofzak blijft op z'n plaats zitten wanneer u de klem loslaat.

Een stofzuiger aansluiten (Afb. X)



De stofzuiger moet geschikt zijn voor het materiaal waarmee u werkt.



Wanneer u droog stof opzuigt dat zeer schadelijk is voor de gezondheid of stof dat kankerverwekkend is, gebruik dan een speciaal systeem voor stofafzuiging.

U kunt de slang van de stofzuiger aansluiten op de stofuitgang (28). U kunt dat doen door gewoon de slang van de stofzuiger te bevestigen op de stofopening.

4. BEDIENING



Controleer, voor u de machine inschakelt, altijd dat het zaagblad goed is gemonteerd. Het zaagblad moet gelijkmatig kunnen draaien.



Controleer voor gebruik de beschermkappen.



Voor alle zaagsneden moet eerst worden gecontroleerd dat het zaagblad op geen enkel moment in contact kan komen met de langsgleiding, de werkstukklep of andere onderdelen van de machine. Verwijder eventueel gemonteerde hulpstoppen of stel ze opnieuw af.

Het werkstuk ondersteunen (Afb. H)

Werkstukken moeten altijd goed worden ondersteund. De tafelverlengstukken (10) kunnen ter ondersteuning van een werkstuk naar links en naar rechts worden uitgeschoven. Dat doet u als volgt:

1. Draai de vergrendelbout voor het tafelverlengstuk (34) los;
2. Verplaats het tafelverlengstuk (10) naar de gewenste stand;
3. Draai de vergrendelbout voor het tafelverlengstuk (34) vast.

Wanneer u zeer lange werkstukken zaagt, moet u onder het vrije uiteinde een extra steun zetten zodat het werkstuk goed is ondersteund.

Het werkstuk vastklemmen (Afb. H)

Werkstukken moeten altijd goed worden vastgeklemd. De werkstukklep (21) kan ter ondersteu-

ning aan de linker- en aan de rechterkant worden geplaatst. Dat doet u als volgt:

1. Zorg ervoor dat het werkstuk stevig tegen de langsgeleiding (9) wordt geklemd;
2. Steek de meegeleverde werkstukkleem (21) in één van de gaten die hiervoor zijn bedoeld, zoals u kunt zien in afbeelding H;
3. Stel de stang met schroefdraad van de werkstukkleem (21) af op de hoogte van het werkstuk;
4. Zet de stang met schroefdraad van de werkstukkleem (21) stevig vast zodat het werkstuk op z'n plaats zit.

U kunt het werkstuk losmaken door gewoon de stang met schroefdraad van de werkstukkleem (21) los te maken.

U kunt met de knop voor de werkstukkleem (44) sneller de hoogte van de werkstukkleem (21) aanpassen. Zet, na het afstellen van de hoogte altijd de stang met schroefdraad van de werkstukkleem (21) stevig vast zodat het werkstuk op z'n plaats bevestigd is.

Het werkstuk afstellen (Afb. H)



Stel altijd de langsgeleiding af op een bepaald type zaagsnede.

Wanneer u in verstek en/of onder een schuine hoek zaagt, moet u de verstelbare langsgeleiding (7) verplaatsen afhankelijk van de zaagrichting. Op deze wijze wordt onder alle omstandigheden het werkstuk altijd goed ondersteund door de langsgeleiding. Dat doet u als volgt:

1. Draai de vergrendelbout voor de verstelbare langsgeleiding (35) los;
2. Stel de langsgeleiding af op de gewenste langsgeleiding. Voor zaagsneden in verstek of rechte zaagsneden moet de langsgeleiding naar binnen worden verplaatst naar het zaagblad (max. 8 mm), maar de langsgeleiding mag het zaagblad niet raken. Voor schuine zaagsneden moet de langsgeleiding naar buiten worden verplaatst van het zaagblad (max. 8 mm), maar de langsgeleiding mag het zaagblad niet raken;
3. Draai de vergrendelbout voor de verstelbare langsgeleiding (35) vast;
4. Zorg ervoor dat het zaagblad niet in aanraking komt met de verstelbare langsgeleiding (35), u kunt het beste het zaagblad laten draaien zonder de machine in te schakelen.

De verstekhoek afstellen (Afb. A)

De verstekhoek kan worden afgesteld tussen 45° links en 45° rechts. U kunt met vooraf-ingestelde verstekhoeken op de zaagtafel op 0°, 15°, 22,5°, 30° en 45° snel en nauwkeurig veelgebruikte verstekhoeken instellen.

De verstekhoek afstellen op de vooraf-ingestelde hoek:

1. Maak de knop voor afstelling van verstek (14) los;
2. Trek de hendel voor afstelling van verstek (15) op en draai de tafel (11) naar links of naar rechts naar de gewenste vooraf-ingestelde hoek. De hoek kan met behulp van de indicator voor de verstekhoek (17) worden afgelezen op de schaalverdeling voor de verstekhoek (16).
3. Laat de hendel los. U moet voelen dat de hendel ingrijpt in de inkeping van de vooraf-ingestelde hoek.
4. Maak de knop voor afstelling van verstek (14) vast.

De verstekhoek afstellen op en de gewenste hoek:

1. Maak de knop voor afstelling van verstek (14) los;
2. Trek de hendel voor afstelling van verstek (15) op en draai de tafel (11) naar links of naar rechts naar de gewenste positie. De hoek kan met behulp van de indicator voor de verstekhoek (17) worden afgelezen op de schaalverdeling voor de verstekhoek (16).
3. Laat de hendel los en zet de knop voor afstelling van verstek (14) vast.

De schuine hoek afstellen (Afb. A, B)

De schuine hoek kan worden ingesteld tussen 0° en +45° naar links. Dat doet u als volgt:

1. Maak de knop voor afstelling van de schuine hoek (22) los;
2. Kantel de zaag met de handgreep (2) tot de indicator (19) de gewenste positie aangeeft op de schaalverdeling voor schuine hoek (20);
3. Zet de knop voor afstelling van de schuine hoek (22) vast.

De machine in-/uitschakelen (Afb. A)

- U kunt de machine starten door de ontgrendelingsknop (1) in te drukken en ingedrukt te houden zodat de beschermkap wordt ontgrendeld, en daarna de Aan/Uit-schakelaar (3) in te drukken.
- U kunt de machine uitschakelen door de Aan/Uit-schakelaar (3) los te laten.

Een afkortzaagsnede maken (Afb. I, J)

Volg deze stappen voor het maken van een zaagsnede haaks op de nerf van het hout:

1. Stel de verstekhoek en de instelling van de schuine hoek in op 0°;
2. Verplaats de verstelbare langsgleiding naar de binnenste positie, naar het zaagblad toe. De maximale afstand tussen de verstelbare langsgleiding (35) en het zaagblad (6) is 8mm, zoals wordt getoond in afbeelding J. Let er vooral op dat de langsgleiding het zaagblad niet raakt.
3. Zet het werkstuk stevig vast met een klem;
4. Schakel de machine in. Denk eraan dat het zaagblad op volle snelheid moet komen;
5. Breng nu de handgreep langzaam omlaag, zo dat het zaagblad door het werkstuk zaagt en de sleuf in de tafel passeert. Oefen niet al te veel druk op de zaag uit, laat de machine het werk doen;
6. Breng de handgreep weer voorzichtig omhoog en schakel de machine uit door de schakelaar los te laten.

Een verstekzaagsnede maken (Afb. J, K)

Volg deze stappen voor het maken van een schuine zaagsnede haaks op het hout:

1. Stel de verstekhoek in op de gewenste positie en de schuine hoek in op 0°;
2. Verplaats de verstelbare langsgleiding naar de binnenste positie, naar het zaagblad toe. De maximale afstand tussen de verstelbare langsgleiding (35) en het zaagblad (6) is 8mm, zoals wordt getoond in afbeelding J. Let er vooral op dat de langsgleiding het zaagblad niet raakt.
3. Zet het werkstuk stevig vast met een klem;
4. Schakel de machine in. Denk eraan dat het zaagblad op volle snelheid moet komen;
5. Breng nu de handgreep langzaam omlaag, zo dat het zaagblad door het werkstuk zaagt en de sleuf in de tafel passeert. Oefen niet al te veel druk op de zaag uit, laat de machine het werk doen;
6. Breng de handgreep weer voorzichtig omhoog en schakel de machine uit door de schakelaar los te laten.

Een schuine zaagsnede maken (Afb. L, M)

Volg deze stappen voor het maken van een schuine zaagsnede naar de rand van het hout:

1. Stel de verstekhoek in op 0° en de schuine hoek in op de gewenste positie;
2. Verplaats de verstelbare langsgleiding naar de buitenste positie, van het zaagblad af. De maximale afstand tussen de verstelbare langsgleiding (35) en het zaagblad (6) is 8mm, zoals wordt getoond in afbeelding M. Let er vooral op dat de langsgleiding het zaagblad niet raakt.
3. Zet het werkstuk stevig vast met een klem. Let erop dat de werkstukkleem op de rechterzijde moet worden gezet;
4. Schakel de machine in. Denk eraan dat het zaagblad op volle snelheid moet komen;
5. Breng nu de handgreep langzaam omlaag, zo dat het zaagblad door het werkstuk zaagt en de sleuf in de tafel passeert. Oefen niet al te veel druk op de zaag uit, laat de machine het werk doen;
6. Breng de handgreep weer voorzichtig omhoog en schakel de machine uit door de schakelaar los te laten.

Een dubbelverstek zaagsnede maken (Afb. M, N)

Volg deze stappen voor het maken van een combinatie tussen een zaagsnede in verstek en een schuine zaagsnede:

1. Stel de verstekhoek en de schuine hoek in op de gewenste positie;
2. Verplaats de verstelbare langsgleiding naar de buitenste positie, van het zaagblad af. De maximale afstand tussen de verstelbare langsgleiding (35) en het zaagblad (6) is 8mm, zoals wordt getoond in afbeelding M. Let er vooral op dat de langsgleiding het zaagblad niet raakt.
3. Zet het werkstuk stevig vast met een klem. Let erop dat de werkstukkleem op de rechterzijde moet worden gezet;
4. Schakel de machine in. Denk eraan dat het zaagblad op volle snelheid moet komen;
5. Breng nu de handgreep langzaam omlaag, zo dat het zaagblad door het werkstuk zaagt en de sleuf in de tafel passeert. Oefen niet al te veel druk op de zaag uit, laat de machine het werk doen;
6. Breng de handgreep weer voorzichtig omhoog en schakel de machine uit door de schakelaar los te laten.

De schuiffunctie gebruiken

Voor extra brede werkstukken is de machine uitgerust met een schuiffunctie. Wanneer u de schuiffunctie gebruikt, moet u er aan denken de vergrendelbout voor de schuifrails (29) los te zetten. Trek de handgreep (2) weg van de langsgeleiding (9) tot het zaagblad voor het werkstuk staat. Leid de arm van het gereedschap langzaam omlaag met de handgreep en een duw daarna de handgreep (2) naar de langsgeleiding (9) en zaag met gelijkmatige snelheid door het werkstuk.

Voor kleine werkstukken is het mogelijk de schuif-functie met de vergrendelbout voor de schuifrails (29) vast te zetten in de achterste positie van de zaag. Als meer zaagbreedte gewenst is, is het nodig de vergrendelbout voor schuifrails (29) los te zetten.

De lengtestop gebruiken (Afb. O)

Met de lengtestop (8) aan de beide verlengstukken (10) van de tafel links en rechts kunt u gemakkelijk werkstukken op dezelfde lengte afzagen.

1. Verplaats de lengtestop (8) omhoog;
2. Draai de vergrendelbout voor het tafelverleng-stuk (34) los;
3. Stel het tafelverlengstuk (10) af op de gewenste stand.
4. Draai de vergrendelbout voor het tafelverleng-stuk (34) vast.

De dieptestop afstellen (Afb. P)

U kunt de dieptestop afstellen zodat u de zaagdiep-te kunt beperken. Zo kunt u gemakkelijk een groef zagen. Dat doet u als volgt:

1. Maak de gewartelde moer voor diepteafstelling (45) los;
2. Stel de knop (24) voor diepteafstelling af op de gewenste diepte;
3. Maak de gewartelde moer voor diepteafstelling (45) vast.

De laser in-/uitschakelen (Afb. B)

Schakel de laser in of uit door op de laser-scha-kelaar (46) te drukken. De laser-schakelaar (46) schakelt ook het LED-werklicht in.

Nauwkeurig afstellen



Trek de stekker uit het stopcontact voordat u werkt aan de afstelling van de machine.

U kunt ervoor zorgen dat de machine nauwkeurig zaagt door voor het eerste gebruik en na intensief gebruik het apparaat te controleren en af te stellen. Er is hiervoor speciaal gereedschap nodig. De Von-roc after-sales helpt u deze werkzaamheden snel en betrouwbaar uit te voeren.

De laser nauwkeurig afstellen (Afb. Q)

NB: U kunt de laserfunctie alleen testen als het elektrisch gereedschap op de stroomvoorziening is aangesloten.



Tijdens het afstellen van de laser (bijv, wanneer u de arm van het gereedschap verplaatst), mag u nooit de aan/uit-schake-laar bedienen. Het onbedoeld inschakelen van het elektrisch gereedschap kan letsel tot gevolg hebben.

Als de laser (18) niet meer de juiste zaaglijn aan-geeft, kunt u de laser opnieuw afstellen. Dat doet u als volgt:

1. Draai de schroeven (48) van de afstelling van de laser los en stel de laser in door deze te verplaatsen tot de laserstraal de tanden van het zaagblad (6) raakt;
2. Draai de schroeven (48) voor de laser-afstelling vast.

De schuine hoek nauwkeurig afstellen op 0° (Afb. R, S)

1. Stel de verstekhoek en de schuine hoek in op 0°;
1. Breng de handgreep (2) omlaag en zet deze vast met de knop (38) voor positievergrendeling;
2. Vergrendel de schuivende beweging met de vergrendelbout voor de schuifrails (29);
3. Stel een winkelhaak in op 90° en plaats deze op de tafel (11), zoals wordt getoond in afbeelding S. Het been van de haak moet over z'n gehele lengte gelijk met het zaagblad (6) zijn;
4. Draai de vergrendelbout voor de schuine hoek (50) op 0° los;
5. Stel de stopbout voor schuine hoek 0° (32) af tot het been van de winkelhaak over z'n gehele lengte gelijk is met het zaagblad;
6. Draai de vergrendelbout voor de schuine hoek (50) op 0° weer vast.

Controleer vervolgens de positie van de indicator (19) van de hoek. Zet, zo nodig, de aanwijzer los met een kruiskopschroevendraaier, zet de aanwij-

zer op 0° op de schaalverdeling voor de schuine hoek (20) en zet de borgschroef weer vast.

De schuine hoek nauwkeurig afstellen op 45° (Afb. R, T)

1. Stel de verstekhoek en de schuine hoek in op 45°;
2. Breng de handgreep (2) omlaag en zet deze vast met de knop (38) voor positievergrendeling;
3. Vergrendel de schuivende beweging met de vergrendelbout voor de schuifrails (29);
4. Stel een winkelhaak in op 90° en plaats deze op de tafel (11), zoals wordt getoond in afbeelding T. Het been van de haak moet over z'n gehele lengte gelijk met het zaagblad (6) zijn;
5. Draai de vergrendelbout voor de schuine hoek (49) op 45° los;
6. Stel de stopbout voor schuine hoek 45° (31) af tot het been van de winkelhaak over z'n gehele lengte gelijk is met het zaagblad;
7. Draai de vergrendelbout voor de schuine hoek (49) op 45° weer vast.

Controleer vervolgens de positie van de indicator (19) van de hoek. Zet, zo nodig, de aanwijzer los met een kruiskopschroevendraaier, zet de aanwijzer op 45° op de schaalverdeling voor de schuine hoek (20) en zet de borgschroef weer vast.

De verstekhoek nauwkeurig afstellen op 0° (Afb. U, V)

1. Stel een winkelhaak in op 0° en plaats deze op de tafel (11), tussen de langsgeleiding (9) en het zaagblad (6);
2. Het been van de haak moet over z'n gehele lengte gelijk met het zaagblad (6) zijn;
3. Draai de vergrendelingsbouten voor de verstelbare langsgeleiding (35) los en vervolgens de bout voor borging van verstelbare langsgeleiding (36).
4. Verwijder zowel de linker als de rechter verstelbare langsgeleiding (7), zodat de bouten (51) van de langsgeleiding zichtbaar worden.
5. Draai alle vier bouten (51) van de langsgeleiding los en stel de langsgeleiding (9) af tot het been van de winkelhaak over z'n gehele lengte gelijk is met het zaagblad;
6. Zet alle vier bouten (51) van de langsgeleiding weer vast. Controleer vervolgens de positie van de indicator (17) van de hoek. Zet, zo nodig, de aanwijzer los met een kruiskopschroevendraaier, zet de aanwijzer op 0° op de schaalverdeling

voor de verstekhoek (16) en zet de borgschroef weer vast.

7. Monteer zowel de linker als de rechter verstelbare langsgeleiding (7).
8. Draai de vergrendelingsbouten voor de verstelbare langsgeleiding (35) vast en vervolgens de bouten voor borging van verstelbare langsgeleiding (36).

5. ONDERHOUD



Schakel voor reiniging en onderhoud altijd de machine uit en verwijder de netstekker uit het stopcontact.

Reinig de machinebehuizing regelmatig met een zachte doek, bij voorkeur iedere keer na gebruik. Zorg dat de ventilatiesleuven vrij van stof en vuil zijn. Gebruik bij hardnekkig vuil een zachte doek bevochtigd met zeepwater. Gebruik geen oplosmiddelen als benzine, alcohol, ammonia, etc. Dergelijke stoffen beschadigen de kunststof onderdelen. De beschermkappen reinigen. Controleer altijd de beschermkap (4) en de intrekbare beschermkap (5) op de aanwezigheid van vuil, voordat u de machine gebruikt. Verwijder zaagselresten en splinters met een borstel of iets dergelijks.

De tafelinzet vervangen



Vervang beschadigde tafelinzetten onmiddellijk.

Met een beschadigde tafelinzet (13) is er een risico dat kleine delen klem komen te zitten tussen de tafelinzet en het zaagblad, waardoor het zaagblad wordt geblokkeerd. De tafelinzet vervangen:

1. Verwijder de schroeven van de tafelinzet met een kruiskopschroevendraaier. Pas, zo nodig, de verstekhoek en de schuine hoek aan zodat u deze schroeven kunt bereiken;
2. Verwijder de tafelinzet;
3. Installeren een nieuwe tafelinzet;
4. Zet de schroeven vast met een kruiskopschroevendraaier.

Geleiderails

Vuil kan de geleiderails (25) en derhalve ook de werking van de machine aantasten.

- Maak de geleiderails regelmatig schoon met een zachte doek.
- Druppel wat smeerolie op de geleiderails.

- Beweeg de afkortzaag naar voren en naar achteren om de olie over de hele rails te verspreiden.

Het product en de gebruikershandleiding zijn onderhevig aan wijzigingen. Specificaties kunnen zonder opgaaf van redenen worden gewijzigd.

MILIEU



Defecte en/of afgedankte elektrische of elektronische gereedschappen dienen ter verwerking te worden aangeboden aan een daarvoor verantwoordelijke instantie.

Uitsluitend voor EG-landen

Werp elektrisch gereedschap niet weg bij het huisvuil. Conform de Europese Richtlijn 2012/19/EG voor Afgedankte Elektrische en Elektronische Apparatuur en de implementatie ervan in nationaal recht moet niet langer te gebruiken elektrisch gereedschap gescheiden worden verzameld en op een milieuvriendelijke wijze worden verwerkt.

GARANTIE

VONROC producten zijn ontworpen volgens de hoogste kwaliteitsstandaarden en gegarandeerd vrij van defecten, zowel materieel als fabrieksfouten, tijdens de wettelijk vastgestelde garantieperiode vanaf de eerste aankoopdatum. Mocht het product tijdens deze periode gebreken vertonen veroorzaakt door defecte materialen en/of fabrieksfouten, neem dan rechtstreeks contact op met VONROC.

De volgende situaties vallen niet onder de garantie:

- Er zijn reparaties of aanpassingen aan de machine uitgevoerd, of er is een poging daartoe ondernomen, door een nietgeautoriseerd servicecentrum.
- Normale slijtage.
- De machine is misbruikt, verkeerd gebruikt of slecht onderhouden.
- Er zijn niet-originele reserveonderdelen gebruikt.

Dit vormt de enige garantie opgesteld door het bedrijf zowel expliciet als impliciet. Er bestaan geen andere garanties expliciet of impliciet welke verder gaan dan deze garantie, inclusief impliciete garanties van verkoopbaarheid en geschiktheid voor bepaalde doeleinden. In geen enkel geval kan VONROC aansprakelijk worden gesteld voor incidentele schade of gevolgschade. Reparaties van dealers zijn gelimiteerd tot de reparatie of vervanging van defecte producten of onderdelen.

1. CONSIGNES DE SÉCURITÉ

En plus des avertissements de sécurité suivants, veuillez également lire les avertissements de sécurité additionnels ainsi que les instructions. Le non-respect des avertissements de sécurité et des instructions peut entraîner une décharge électrique, un incendie et/ou des blessures graves. Veuillez conserver les avertissements de sécurité et les instructions pour consultation ultérieure.

Les symboles suivants sont utilisés dans le manuel d'utilisation ou apposés sur le produit:



Lisez le manuel d'utilisation.



Signale un risque de blessures, un danger mortel ou un risque d'endommagement de l'outil en cas de non-respect des instructions de ce manuel.



Risque de décharge électrique.



Ne laissez aucune personne s'approcher de la zone de travail.



Porter un masque antipoussière.



Protégez-vous les oreilles.



Protégez-vous les yeux.



Note: rayonnement laser. Ne regarde pas dans le rayon Laser de classe 2.



N'approchez en aucun cas les mains de la zone de sciage pendant le fonctionnement de l'outil électroportatif. Il y a risque de blessure grave en cas de contact avec la lame de scie.



Zone dangereuse ! Gardez les mains, doigts ou bras éloignés de cette zone.



Transporter la machine uniquement lorsqu'elle se trouve en position de transport interne.



Machine de classe II - Double isolation - Vous n'avez pas besoin de prise avec mise à la terre.



Le produit est conforme aux normes de sécurité en vigueur spécifiées dans les directives européennes.



Pour le sciage de coupes biaisées dans le plan vertical, la butée réglable doit être déplacée vers l'extérieur.



Faites attention aux dimensions de la lame de scie. Le diamètre de l'alésage central doit correspondre exactement à celui de la broche (pas de jeu). Lorsqu'il est nécessaire d'utiliser des bagues de réduction, veillez à ce que les dimensions de la bague de réduction soient adaptées à l'épaisseur du corps de lame, au diamètre de l'alésage de la lame et au diamètre de la broche de l'outil. Utilisez dans la mesure du possible les bagues de réduction fournies avec la lame. Le diamètre de lame doit correspondre à l'indication du pictogramme.

CONSIGNES GÉNÉRALES DE SÉCURITÉ



AVERTISSEMENT! Veuillez à lire tous les avertissements sur la sécurité, toutes les instructions, toutes les illustrations et toutes les spécifications fournies avec cet outil électrique. Le non-respect de toutes les instructions listées ci-dessous peut entraîner des décharges électriques, des incendies et/ou de graves blessures.

Conservez ces instructions.

Le terme "appareil électrique" mentionné dans tous les avertissements cidessous se rapporte à un appareil électrique qui se branche au réseau électrique (grâce à un câble d'alimentation) ou à un appareil électrique (sans fil) fonctionnant grâce à une batterie.

1) Espace de travail

- a) **Veillez toujours à garder votre espace de travail propre et bien éclairé.** Les espaces mal rangés et sombres peuvent être la cause d'accidents.
- b) **N'utilisez pas les appareils électriques dans des environnements susceptibles d'explosion, par exemple en présence de liquides inflammables, de gaz ou de particules.** Les appareils électriques provoquent des étincelles qui peuvent enflammer les particules des émanations.
- c) **Veillez à garder éloignés les enfants et les personnes se trouvant dans votre voisinage, lors de l'utilisation d'un appareil électrique.** Les distractions peuvent vous faire perdre le contrôle de l'appareil.

2) Mesures de sécurité électriques

- a) **Les prises des appareils électriques doivent être raccordées à la prise murale correspondante. Ne modifiez jamais la prise de l'appareil, de quelque façon que ce soit. N'utilisez pas d'adaptateurs qui mettent les appareils électriques à la terre (mise à la masse).** Des prises non modifiées et branchées à la prise murale correspondante réduiront les risques de choc électrique.
- b) **Évitez le contact direct avec les surfaces mises à la terre ou mises à la masse comme les canalisations, les radiateurs, les cuisinières et les réfrigérateurs.** En effet, le risque de choc électrique s'accroît si votre corps est mis à la terre ou à la masse.
- c) **N'utilisez pas d'outils électriques dans des environnements pluvieux ou humides.** Si de l'eau s'introduit dans un appareil électrique, le risque de choc électrique augmentera.
- d) **N'utilisez pas le câble de manière abusive. N'utilisez jamais le câble pour transporter, tirer ou débrancher l'appareil électrique. Veillez à garder le câble éloigné des sources de chaleur, des huiles, des rebords coupants ou des pièces actionnées.** Les câbles endommagés ou entremêlés augmentent le risque de choc électrique.
- e) **Lorsque un appareil est utilisé à l'extérieur, utilisez uniquement un câble prolongateur prévu à cet effet.** L'utilisation d'un câble à usage extérieur réduit le risque de choc électrique.
- f) **Si vous êtes contraint d'utiliser un outil électrique dans un environnement humide, utilisez une alimentation protégée par un dispositif à courant résiduel (RCD).** L'utilisation d'un RCD réduit le risque de décharge électrique.

3) Sécurité personnelle

- a) **Restez vigilant, gardez un œil sur ce que vous faites et utilisez votre sens commun lors de l'utilisation d'un appareil électrique. N'utilisez pas un appareil électrique si vous êtes fatigué ou si vous êtes sous l'influence de drogues, d'alcool ou si vous prenez des médicaments.** Un moment d'inattention lors de l'utilisation des appareils électriques peut entraîner des blessures graves.
- b) **Utilisez un équipement de protection personnelle. Protégez-vous toujours les yeux.** Les équipements de protection, tels qu'un masque à poussière, des chaussures antidérapantes, des protections auditives ou un casque de sécurité, utilisés dans de bonnes conditions, réduiront le risque de blessures.
- c) **Prévenez tout démarrage involontaire. Assurez-vous que l'interrupteur est sur la position "arrêt avant de brancher l'appareil.** En effet, le transport des appareils électriques en gardant vos doigts sur l'interrupteur, ou le branchement de ces appareils en ayant l'interrupteur sur "marche accidents.
- d) **Retirez les clés de réglage ou les clés de vis de réglage avant d'allumer l'appareil électrique.** Une clé de vis de réglage ou une clé, laissée sur une pièce en mouvement de l'appareil électrique, peut entraîner des lésions corporelles.
- e) **Ne pas se précipiter. Gardez toujours vos pieds à plat et gardez votre équilibre.** Ceci permet de mieux contrôler l'appareil électrique dans des situations imprévues.
- f) **Habilitez-vous convenablement. Ne portez pas de vêtements lâches ou de bijoux. Gardez vos cheveux, vêtements éloignés des pièces actionnées.** En effet, ces derniers peuvent être pris dans les pièces en action.
- g) **Si les appareils sont fournis pour la connexion des équipements d'évacuation et de récupération de la poussière, assurez-vous que ces derniers soient correctement connectés et utilisés.** L'utilisation de ces appareils peut réduire les risques liés à la poussière.
- h) **Ne pensez pas être familiarisé avec l'outil après l'avoir utilisé à de nombreuses reprises, au point de ne plus rester vigilant et d'en oublier les consignes de sécurité.** Toute action imprudente peut engendrer de graves blessures en une fraction de seconde

- 4) **Utilisation et entretien d'un appareil électrique**
- a) **Ne forcez pas l'appareil électrique. Utilisez l'appareil électrique adéquat pour votre application.** Un appareil électrique correct ment choisi assurera un meilleur travail et un travail sans danger, au rythme auquel il a été conçu.
- b) **N'utilisez pas l'appareil électrique si l'interrupteur marche/arrêt ne fonctionne pas.** Un appareil électrique qui ne peut pas être commandé par l'interrupteur de contrôle est dangereux et doit être réparé.
- c) **Débranchez la prise du secteur et/ou retirez le bloc-batterie de l'outil électrique s'il est amovible, avant d'effectuer toute opération de réglage, de changer un accessoire ou de ranger vos outils électriques.** Ces mesures de sécurité préventives réduiront le risque de démarrage involontaire de l'appareil électrique.
- d) **Rangez les appareils électriques arrêtés hors de la portée des enfants et ne laissez aucune personne, non familiarisée avec l'outil ou ces instructions, utiliser l'appareil électrique.** Les appareils électriques sont dangereux entre les mains d'utilisateurs non formés.
- e) **Veillez à bien entretenir vos outils électriques et leurs accessoires. Vérifiez tout défaut d'alignement et l'enchaînement des pièces actionnées, la rupture de ces dernières, et les autres conditions qui peuvent affecter le fonctionnement des appareils électriques. En cas de dommages, faites réparer l'appareil électrique avant de le réutiliser.** Nombreux sont les accidents provoqués par des appareils électriques mal entretenus.
- f) **Veillez à garder les outils coupants aiguisés et propres.** Des outils coupants correctement entretenus avec des lames aiguisées sont moins susceptibles de se bloquer et sont plus faciles à contrôler.
- g) **Utilisez l'appareil électrique, les accessoires et les embouts, etc., conformément à ces instructions et de la manière prévue pour le type spécifique de l'appareil électrique, en prenant en compte les conditions de travail et le travail à effectuer.** L'utilisation de l'appareil électrique dans des applications différentes de celles prévues peut entraîner des situations dangereuses.
- h) **Gardez les poignées et les surfaces de préhension sèches, propres et exemptes d'huile et de graisse.** Des poignées et des surfaces de préhension glissantes ne permettent pas de manipuler et de contrôler l'outil correctement en cas de situations inattendues.

5) Maintenance

- a) **L'entretien de votre outil électrique doit être confié à un réparateur qualifié qui utilise uniquement des pièces de rechange identiques aux pièces d'origine.** Cela permet d'assurer la sécurité de l'outil électrique.

AVERTISSEMENTS DE SÉCURITÉ SUPPLÉMENTAIRES

- **Les scies à onglets sont destinées à couper le bois ou des produits assimilés, et ne peuvent pas être utilisées avec une meule tronçonneuse pour la coupe de matériaux ferreux tels que des barres, tiges, goujons, etc. La poussière d'abrasif provoque le coincement des pièces mobiles telles que le protecteur inférieur.** Les étincelles générées par une coupe abrasive provoquent l'inflammation du protecteur inférieur, de l'insert de saignée et des autres pièces en plastique.
- **Utiliser dans toute la mesure du possible des presseurs pour soutenir la pièce.** En cas de soutien de la pièce à la main, il faut toujours maintenir la main à une distance d'au moins 100mm de chaque côté de la lame de scie. Ne pas utiliser cette scie pour couper des pièces qui sont trop petites pour pouvoir être serrées en toute sécurité ou tenues à la main. Une main placée trop près de la lame de scie augmente le risque de blessure par contact avec la lame.
- **La pièce doit être fixe et serrée ou maintenue contre le guide et la table. Ne jamais avancer la pièce dans la lame ou ne jamais couper "à main levée".** Des pièces non maintenues ou mobiles peuvent être éjectées à des vitesses élevées et provoquer de ce fait des blessures.
- **Scier la pièce en exerçant une poussée sur la scie. Ne pas scier la pièce en exerçant une traction sur la scie. Pour effectuer une coupe, lever la tête d'abattage et la placer au-dessus de la pièce sans la couper, lancer le moteur, appuyer sur la tête d'abattage et scier la pièce en exerçant une poussée sur la scie.** Une opération de coupe tirante est susceptible de provoquer le déplacement de la lame de scie vers le sommet de la pièce et de propulser violemment ainsi l'assemblage de la lame vers l'opérateur.
- **Ne jamais croiser la main avec la ligne de coupe prévue que ce soit devant ou derrière la lame de scie.** Soutenir la pièce "main croisée", c'est-à-dire en maintenant la pièce du côté droit de la lame de scie avec la main gauche ou inversement est très dangereux.

- **Ne pas approcher les mains de la partie arrière du guide à une distance de moins de 100 mm par rapport à chaque côté de la lame de scie, afin de retirer des copeaux de bois, ou pour toute autre raison, et ce, alors que la lame tourne.** La proximité de la lame de scie en rotation et de la main peut ne pas être évidente et peut risquer de provoquer de graves blessures.
- **Examiner la pièce avant de la couper. Si la pièce est courbée ou gauchie, la serrer avec la face courbée extérieure dirigée vers le guide. Toujours s'assurer de l'absence d'espace entre la pièce, le guide et la table le long de la ligne de coupe.** Les pièces pliées ou gauchies peuvent se tordre ou se décaler et peuvent entraîner un blocage de la lame de scie en rotation lors de la coupe. Il convient que la pièce ne comporte aucun clou ni aucun corps étranger.
- **Ne pas utiliser la scie tant que la table n'est pas dégagée de tous les outils, copeaux de bois, etc., à l'exception de la pièce.** Les petits débris, les morceaux de bois détachés ou d'autres objets en contact avec la lame en rotation peuvent être éjectés avec une vitesse élevée.
- **Ne couper qu'une seule pièce à la fois.** Plusieurs pièces empilées ne peuvent être serrées ou entourées de manière appropriée et peuvent bloquer la lame ou se décaler lors de la coupe.
- **S'assurer que la scie à onglets est montée ou placée sur une surface de travail solide de niveau avant utilisation.** Une surface de travail solide de niveau réduit le risque d'instabilité de la scie à onglets.
- **Planifier votre travail. À chaque changement de réglage de l'angle de biseau ou d'onglet, s'assurer que le guide réglable est réglé correctement afin de soutenir la pièce, et n'affecte pas la lame ou le système de protection.** Sans mettre l'outil en position "MARCHE" et sans aucune pièce placée sur la table, déplacer la lame de scie en simulant une coupe complète afin de s'assurer de l'absence de tout obstacle ou de tout risque de sectionnement du guide.
- **Prévoir un support approprié tel que des rallonges de table, des chevalets de sciage, etc. pour une pièce plus large ou plus longue que le plateau de la table.** Des pièces plus longues ou plus larges que la table de la scie à onglets peuvent basculer si elles ne sont pas soutenues de manière sûre. Un basculement de la pièce coupée ou de la pièce à couper peut soulever le protecteur inférieur ou la pièce coupée ou à couper peut être éjectée par la lame en rotation.
- **Ne pas demander à une tierce personne de servir de rallonge de table ou de support supplémentaire.** Un support instable de la pièce peut entraîner le blocage de la lame ou le décalage de la pièce lors de la coupe, vous entraînant, de même que l'assistant, dans la lame en rotation.
- **La pièce coupée ne doit pas être coincée ou comprimée par quelque moyen que ce soit contre la lame de scie en rotation.** Si elle devait être enserrée, c'est-à-dire à l'aide de butées longitudinales, la pièce coupée pourrait être coincée contre la lame et être éjectée violemment.
- **Toujours utiliser un presseur ou un appareil de serrage conçu pour soutenir correctement tout matériau rond tel que des tiges ou des tubes.** Les tiges ont tendance à rouler lors de leur coupe, ce qui provoque une "action de morsure" de la lame et entraîne la pièce et la main dans ladite lame.
- **Laisser la lame atteindre sa vitesse maximale avant qu'elle n'entre en contact avec la pièce.** Cela réduit le risque d'éjection de la pièce.
- **Lorsque la pièce ou la lame est coincée, mettre la scie à onglets en position arrêt. Attendre l'arrêt complet de toutes les parties mobiles et débrancher la prise de la source d'alimentation et/ou retirer le bloc-piles. Libérer ensuite le matériau coincé.** Un sciage continu avec une pièce coincée peut entraîner une perte de contrôle ou endommager la scie à onglets.
- **Une fois la coupe achevée, relâcher l'interrupteur de puissance, abaisser la tête d'abattage et attendre l'arrêt de la lame avant de retirer la pièce coupée.** Il est dangereux d'approcher la main de la lame qui continue de tourner.
- **Maintenir la poignée fermement lors de la réalisation d'une coupe incomplète ou lors du relâchement de l'interrupteur de puissance avant que la tête d'abattage ne soit totalement à l'arrêt.** Le freinage de la scie peut provoquer une saccade descendante de la tête d'abattage, entraînant de ce fait un risque de blessure.
- **Veillez à une bonne propreté du poste de travail.** Les mélanges de matériau sont particulièrement dangereux. La poussière de métal fine peut s'enflammer ou exploser.
- **N'utilisez pas de lames émoussées, fissurées, déformées ou endommagées. Les lames aux dents émoussées ou mal alignées génèrent lors**

de la coupe une fente trop étroite. Il en résulte une friction anormalement élevée ainsi qu'un plus grand risque de coincement de la lame, de rebond ou de contrecoup.

- **N'utilisez pas de lames en acier HSS (acier rapide).** De telles lames se cassent facilement.
- **Toujours utiliser des lames de scie de dimensions et de forme appropriées des alésages centraux (lame de scie au diamant contre lame de scie ronde).** Des lames qui ne sont pas conformes aux matériels de montage de la scie seront excentrées, provoquant une perte de contrôle.
- **Ne remplacez en aucun cas le laser intégré contre un laser d'un autre type.** Un laser inadapté à cet outil électroportatif pourrait représenter un danger pour les personnes.
- **N'essayez jamais d'enlever des résidus de coupe, copeaux de bois ou autre de la zone de coupe pendant le fonctionnement de l'outil électroportatif.** Amenez le bras de l'outil en position de repos puis éteignez l'outil électroportatif.
- **Après avoir utilisé la scie, ne touchez pas la lame avant qu'elle ne soit refroidie.** La lame de scie s'échauffe fortement en cours d'utilisation.
- **Assurez-vous que les étiquettes d'avertissement qui se trouvent sur l'outil électroportatif soient toujours lisibles.**
- **Au cas où le faisceau laser frappe un oeil, fermez immédiatement les yeux et déplacez la tête pour l'éloigner du faisceau. N'apportez jamais de modifications au dispositif laser.**
- **N'utilisez pas d'instruments optiques collecteurs de lumière (jumelles, etc.) pour regarder la source de rayonnement.** Vous pourriez vous abîmer les yeux.
- **Ne dirigez pas le faisceau laser vers des personnes en train de regarder à travers des jumelles ou un autre instrument optique.** Vous pourriez leur causer des lésions oculaires.
- **N'apportez aucune modification au dispositif laser.** Vous pouvez faire usage sans danger des possibilités de réglage décrites sans cette notice.
- **Ne restez pas en ligne avec la lame de scie devant l'outil électrique.** Restez toujours sur le côté de la lame de scie. Cela permet de vous protéger contre un éventuel rebond.
- **Gardez toujours vos mains, vos doigts et vos bras loin de la lame de scie en rotation.**
- **Ne croisez pas les mains devant le bras de l'outil.**
- **Évitez toute surchauffe des dents de la scie. Si la lame de scie surchauffe, arrêtez la machine.**

Laissez la lame de scie refroidir avant de réutiliser la machine.

- **Remplacez immédiatement les lames de scie endommagées et usées.**
- **N'utilisez que des lames de scie qui correspondent aux spécifications données dans ce manuel d'utilisation, qui ont été testées et qui sont marquées conformément à la norme EN 847-1.**
- **Si vous sciez des pièces incurvées ou rondes, elles doivent être tout spécialement fixées pour les empêcher de glisser. Au niveau de la ligne de coupe, il ne doit y avoir aucun espace entre l'ouvrage, la garde et le plateau de la scie.** Vous devez si nécessaire fabriquer des fixations spéciales.

Sécurité électrique



Vérifiez si la tension d'alimentation électrique correspond bien à celle de la plaque signalétique.

- Si le câble d'alimentation électrique est endommagé, il doit être remplacé par un câble d'alimentation électrique spécial disponible auprès de service clientèle.
- Utilisez uniquement des rallonges adaptées à la puissance nominale de la machine et d'une section minimum de 1,5 mm². Si vous utilisez une bobine de rallonge, déroulez toujours complètement le câble.

2. INFORMATIONS RELATIVES À LA MACHINE

Utilisation prévue

L'outil est une machine fixe conçue pour réaliser des coupes droites longitudinales et transversales dans le sens du fil du bois et dans le sens inverse. Il est possible de scier des angles d'onglets de -45° à +45° et des angles biseautés de -0° à +45°. L'outil électrique avec la lame de scie en place a une capacité nominale prévue pour scier le bois dur et le bois tendre ainsi que les panneaux d'aggloméré et de fibre. La lame de scie n'est pas prévue pour scier le bois de chauffage. N'utilisez pas la scie pour scier d'autres matériaux que ceux spécifiés dans ce manuel.

SPÉCIFICATIONS TECHNIQUES

N° de modèle	MS504C
Tension	220-240V~
Fréquence	50 Hz
Puissance	1700W S1 - 2000W S6 40%*
Vitesse à vide	5200/min
Angle de coupe d'onglet	-45° <> +45°
Angle de biseautage	-45° <> 0° Vers la gauche
Spécifications de la lame de scie:	
Diamètre	Ø 216 mm
Épaisseur de corps	1,6 mm
Largeur de coupe	2,8 mm
Diamètre de l'alésage	Ø 30 mm
Nombre de dents	40T
Capacité maximale de sciage (hauteur x largeur):	
Onglet 0° - Biseau 0°	65 x 300 mm
Onglet 0° - Biseau 45°	38 x 300 mm
Onglet 45° - Biseau 0°	65 x 200 mm
Onglet 45° - Biseau 45°	38 x 200 mm
Dimensions minimales de la pièce	3 x 10 mm
Spécifications laser:	
Classe	2
Longueur d'onde	650 nm
Puissance	< 1 mW
Poids	14 kg
Lpa (pression sonore)	98 dB(A) KpA: 3 dB(A)
Lwa (capacité acoustique)	111 dB(A) KWA: 3 dB(A)

* Type de service S6, service périodique à charge intermittente. Le fonctionnement comporte une durée de mise en route, une durée de fonctionnement à régime constant et une durée de fonctionnement à vide. Le cycle de fonctionnement est de 10 minutes, la durée de fonctionnement effective est de 40% du cycle.

DESCRIPTION

Les numéros dans le texte se rapportent aux schémas des pages 2-7.

1. Bouton de déverrouillage
2. Poignée
3. Interrupteur Marche/Arrêt

4. Carter de protection
5. Carter de protection rétractable
6. Lame de scie
7. Garde réglable
8. Butée en longueur
9. Garde
10. Rallonge de plateau
11. Plateau
12. Trous de fixation
13. Plaque de saignée
14. Bouton de réglage d'onglet
15. Levier de réglage d'onglet
16. Échelle de graduation de l'angle d'onglet
17. Repère de l'angle d'onglet
18. Laser
19. Repère de l'angle de biseau
20. Échelle de graduation de l'angle du biseau
21. Fixation pour l'ouvrage
22. Bouton de réglage du biseau
23. Rouleau
24. Boulon de réglage de profondeur
25. Rails coulissants
26. Sac à poussière
27. Poignée de transport
28. Sortie d'échappement de la poussière
29. Boulon de verrouillage des rails coulissants
30. Bras d'onglet
31. Boulon d'arrêt de l'angle de biseau à 45°
32. Boulon d'arrêt de l'angle de biseau à 0°
33. Boulon de verrouillage pour la fixation de l'ouvrage
34. Boulon de verrouillage pour la rallonge du plateau
35. Boulon de verrouillage pour la garde réglable
36. Boulon de sécurité pour la garde réglable
37. Protection contre le basculement vers l'avant
38. Bouton de verrouillage de position
39. Bouton du bras d'onglet
40. Boulon de retenue
41. Bride de fixation
42. Boulon de fixation
43. Verrouillage de l'axe
44. Bouton pour la fixation de l'ouvrage
45. Écrou moleté pour le réglage de la profondeur
46. Lampe de travail LED
47. Boulon du bras d'onglet
48. Vis de réglage du laser
49. Écrou de verrouillage de l'angle du biseau à 45°
50. Écrou de verrouillage de l'angle du biseau à 0°
51. Boulons de la garde
52. Support bras d'onglet

3. MONTAGE



Si vous voulez procéder à des travaux d'entretien sur le mécanisme, mettez la machine hors secteur.

Position pour le transport (Fig. B, C)

Le boulon de verrouillage de position (38) facilite le déplacement de l'outil électrique d'un lieu à un autre.

Déverrouiller la position de transport (position de travail)

1. Abaissez légèrement la poignée (2) ;
2. Tirez complètement le bouton de verrouillage de position (38) vers l'extérieur et verrouillez-le en place en le tournant ;
3. Relevez doucement la poignée (2).

Verrouiller la position de transport (position de transport)

Avant de verrouiller la position de transport, assurez-vous que le boulon de réglage de la profondeur (24) est réglé pour ne pas limiter la profondeur. De cette façon, il est possible de déplacer complètement la poignée (2) vers le bas sans toucher la butée de profondeur. Retirez également tous les accessoires qui ne peuvent pas être correctement fixés sur la machine.

1. Desserrez le boulon de verrouillage des rails coulissants (29) s'ils sont serrés ;
2. Tirez la poignée (2) vers vous (vers l'avant) et serrez le boulon de verrouillage des rails coulissants (29) ;
3. Abaissez complètement la poignée (2) ;
4. Verrouillez le bouton de verrouillage de position (38) en le tirant avant de le tourner ;
5. Enroulez le câble électrique et fixez-le à l'aide de l'attache de câble.

Après avoir verrouillé la position de transport, utilisez la poignée de transport (27) pour porter et transporter la machine en toute sécurité.



N'utilisez que la poignée de transport pour déplacer la machine et jamais les carters de protection.

Assembler la scie à onglet (Fig. D, Y)

La partie avant de la surface du plateau, ci-après dénommée bras d'onglet (30), peut être retirée pour encore plus diminuer les dimensions

extérieures de cette scie déjà très compacte. Pour assembler le bras d'onglet :

1. Déverrouillez la position de transport (position de travail) ;
2. Desserrez le bouton de réglage de l'angle de coupe (14) ;
3. Pivotez le plateau (11) à gauche ou à droite jusqu'à la position 0°. L'angle peut être lu sur l'échelle de graduation de l'angle de coupe (16) grâce au repère (17) ;
4. Tirez et maintenez d'une main le bouton du bras d'onglet (39) comme illustré par la figure D1 ;
5. À l'aide de l'autre main, insérez le bras d'onglet (30) dans le plateau (11), comme illustré par la figure D2 tout en tirant le levier de réglage de l'angle de couple (15). Veillez à ce que les extrémités du triangle inversé du bras d'onglet (30) soient correctement insérées dans les encoches de même forme sur le plateau (11) ;
6. Relâchez alors le bouton du bras d'onglet (39) et le levier pour le réglage de l'angle de coupe (15) ;
7. Verrouillez le bras articulé (30) en serrant le boulon du bras articulé (47) comme illustré par la figure D-3.

Remarque : Une fois démonté, le bras d'onglet (30) peut être rangé dans le support pour bras d'onglet (52), comme illustré par la figure Y.

Installer la machine fixe (Fig. A, B, D)

Pour garantir la sécurité pendant la manipulation, l'outil électrique doit être installé sur une surface de travail plate et stable (un établi par exemple) avant son utilisation. Vous pouvez installer la machine de trois façons :

1. Sur un établi

Dans ce cas la machine doit être fixée sur l'établi à l'aide de fixations vissées adaptées. Utilisez les quatre trous (12) pour le faire. Comme indiqué sur la fig. D

2. Sur un sous-cadre



Lisez tous les avertissements et toutes les instructions fournis avec le support de scie. Le non-respect des avertissements et des instructions peut entraîner un choc électrique, un incendie et/ou de graves blessures.



Assemblez le support de scie correctement avant d'y fixer l'outil électrique. Un bon assemblage est essentiel pour éviter les risques d'effondrement.

Dans ce cas la machine doit être fixée sur le sous-cadre à l'aide de boulons. Utilisez les quatre trous (12) pour le faire. Le sous-cadre doit être ancré avec 4 boulons à une plaque de sol d'au moins 1m². Installez l'outil électrique sur le support de scie en position de transport.

3. Installation polyvalente



Ce type d'installation n'est pas recommandée par le fabricant.

Si, dans certaines circonstances, il n'est pas possible d'installer l'outil électrique sur une surface de travail plate et stable, vous pouvez trouver un compromis en l'installant avec des dispositifs de protection contre le basculement.



Sans dispositif de protection contre le basculement, l'outil électrique n'est pas stable et il peut basculer, notamment pendant les découpes aux angles d'onglet et/ou de biseau maximum.

- Le système de protection contre le basculement vers l'arrière est fixé sur la base de la machine et il n'est pas réglable.
- Pivotez le dispositif anti-basculement avant (37) vers l'intérieur ou l'extérieur comme illustré par la figure F, jusqu'à ce que l'outil électrique soit de niveau par rapport à la surface de travail.

Contrôler le carter de protection (Fig. A)

Le carter de protection rétractable (5) protège contre le contact accidentel avec la lame de scie et contre les copeaux qui peuvent être projetés. Avant d'utiliser la machine, le bon fonctionnement du carter de la lame de scie doit être contrôlé. Pour ce faire, abaissez la poignée (2) et vérifiez ce qui suit :

- Le carter de protection rétractable (5) doit pouvoir donner accès à la lame de scie (6) sans entrer en contact avec les autres pièces.
- Lorsque la scie est mise en position de démarrage, le carter de protection rétractable (5) doit complètement et automatiquement recouvrir toute la lame de scie (6).

Remplacer la lame de scie (Fig. G)



Avant de procéder à une opération quelle qu'elle soit sur la machine, débranchez la prise électrique de la source d'alimentation.



Portez des gants de protection pour installer la lame de scie. Risque de blessure en cas de contact avec la lame.



N'utilisez que des lames de scie correspondant aux caractéristiques mentionnées dans les instructions d'utilisation. N'utilisez que des lames de scie marquées pour une vitesse égale ou supérieure à la vitesse marquée sur la machine.



N'utilisez en aucun cas des disques de meulage comme outils de coupe.

Avant de remplacer la lame de scie, il est fortement conseillé de régler les angles d'onglet et de biseau sur 0°. L'accès pourrait sinon être limité.

Retirer la lame de scie

1. Verrouillez la scie en position haute en utilisant le bouton de verrouillage de position (38) ;
2. Desserrez le boulon de retenue (40) à l'aide d'un tournevis cruciforme comme illustré par la figure G1 ; AVERTISSEMENT ! Ne retirez pas complètement le boulon de retenue (40), contentez-vous de le desserrer.
3. Relevez le carter de protection rétractable (5) jusqu'à ce que le boulon de fixation (42) soit facilement accessible, comme illustré par la figure G2 ;
4. Insérez la clé à six pans dans le boulon de fixation (42). Le carter de protection rétractable (5) peut être libéré, il se rabat sur la clé à six pans.
5. Tournez le boulon de fixation (42) à l'aide de la clé à six pans (34) et appuyez simultanément sur le système de verrouillage de l'axe (43) jusqu'à ce qu'il s'enclenche.
6. Tenez fermement le système de verrouillage de l'axe (43) et desserrez le boulon de fixation (42) en le tournant dans le sens des aiguilles d'une montre (filetage gauche).
7. Retirez le boulon de fixation (42) et la bride de fixation (41). La lame de scie (6) peut ensuite être retirée.

Installer la lame de scie



En installant la lame de scie, assurez-vous que le sens de coupe des dents (sens de la flèche sur la lame de scie) correspond au sens de la flèche sur le carter (4).



En installant la lame de scie (6), contrôlez qu'elle tourne librement dans la plaque de saignée (13) à 0° comme à 45°.

1. Nettoyez la lame de scie et toutes les pièces de fixation devant être assemblées.
2. Desserrez le boulon de retenue (40) à l'aide d'un tournevis cruciforme comme illustré par la figure G1 ; AVERTISSEMENT ! Ne retirez pas complètement le boulon de retenue (40), contentez-vous de le desserrer.
3. Relevez le carter de protection rétractable (5) jusqu'à ce que le boulon de fixation (42) soit facilement accessible, comme illustré par la figure G2 ;
4. Insérez la clé à six pans dans le boulon de fixation (42). Le carter de protection rétractable (5) peut être libéré, il se rabat sur la clé à six pans.
5. Installez la bride de fixation (41). Assurez-vous que les côtés plats de la bride de fixation coïncident avec les côtés plats de l'axe de la lame. Assurez-vous également que le côté convexe de la bride de fixation soit installé vers l'extérieur.
6. Installez le boulon de fixation (42) et tournez-le à l'aide de la clé à six pans tout en appuyant simultanément sur le système de verrouillage de l'axe (43) jusqu'à ce qu'il s'enclenche.
7. Tenez fermement le système de verrouillage de l'axe (43) et desserrez le boulon de fixation (42) en le tournant dans le sens inverse des aiguilles d'une montre.

Extraire les poussières (Fig. A, B, W, X)



Assurez-vous de la bonne aération du lieu de travail.



Portez des protections auditives.

La poussière issue des matériaux comme les peintures au plomb et certains types de bois peuvent être dangereuses pour la santé. Respirer cette poussière peut engendrer des réactions allergiques et/ou des maladies respiratoires aux utilisateurs et aux

personnes à proximité. Certaines poussières comme celles de chêne ou du hêtre sont cancérigènes, notamment si elles contiennent des additifs pour le traitement du bois (chromate, produit de protection du bois). Nous vous recommandons fortement d'utiliser, dans la mesure du possible, un système d'extraction des poussières adapté à la matière sciée.



Évitez l'accumulation de poussière sur le lieu de travail. La poussière est très inflammable.

Le système d'extraction des poussières peut être obstrué par de la poussière, des copeaux ou des fragments de l'ouvrage. Il doit donc être nettoyé régulièrement. Pour ce faire :

1. Débranchez la prise de l'alimentation électrique.
2. Attendez que la lame de scie se soit complètement arrêtée.
3. Supprimez le cas échéant tout ce qui fait blocage

Installer le sac à poussière (Fig. W)

Enfoncez l'attache du sac à poussière (26) et glissez-la sur le raccord de sortie de la poussière (28) à l'arrière de la machine. Le sac à poussière reste en place quand l'attache est relâchée.

Raccorder un aspirateur (Fig. X)



L'extracteur de poussière doit être adapté à la matière aspirée.



Utilisez un extracteur spécial pour aspirer la poussière sèche qui est particulièrement nocive pour la santé ou cancérigène.

Il est possible de raccorder un tuyau d'aspirateur sur le raccord de sortie de la poussière (28). Pour ce faire, il suffit simplement de raccorder le tuyau d'aspiration sur l'embout d'extraction des poussières.

4. FONCTIONNEMENT



Avant d'allumer la machine, contrôlez toujours que la lame de scie est correctement installée. La lame doit tourner de façon sans entrave.



Contrôlez toujours les carters de protection avant d'utiliser la machine.



Pour toutes les coupes, assurez-vous que la lame de scie ne peut en aucun cas et à aucun moment entrer en contact avec la garde, la fixation pour l'ouvrage ou les pièces de la machine. Retirez toutes les butées auxiliaires installées ou réglez-les en conséquence.

Soutenir l'ouvrage (Fig. H)

Les ouvrages doivent toujours être correctement soutenus. Les rallonges de plateau (10) peuvent être étendues à gauche et à droite pour soutenir l'ouvrage. Pour ce faire :

1. Desserrez le boulon de verrouillage de la rallonge du plateau (34) ;
2. Déplacez la rallonge du plateau (10) jusqu'à la position voulue ;
3. Serrez le boulon de verrouillage de la rallonge du plateau (34).

Pour scier des pièces très longues, les extrémités libres doivent être soutenues par le dessous avec un élément supplémentaire.

Fixer l'ouvrage (Fig. H)

Les pièces à scier doivent toujours être correctement fixées. La fixation pour l'ouvrage (21) peut être placée à gauche et à droite de l'ouvrage. Pour ce faire :

1. Assurez-vous que l'ouvrage est fermement appuyé contre la garde (9) ;
2. Insérez la fixation pour l'ouvrage fournie (21) dans l'un des trous prévus à cet effet, comme illustré par la figure H ;
3. Réglez la tige filetée de la fixation pour l'ouvrage (21) en fonction de la hauteur de l'ouvrage ;
4. Serrez fermement la tige filetée de la fixation pour l'ouvrage (21) pour fixer l'ouvrage en place. Pour libérer l'ouvrage, il suffit de desserrer la tige filetée de la fixation pour l'ouvrage (21).

Le bouton de la fixation pour l'ouvrage (44) peut être utilisé pour régler la hauteur de la fixation (21) plus rapidement. Après avoir réglé la hauteur, serrez toujours fermement la tige filetée de la fixation pour l'ouvrage (21) pour fixer l'ouvrage en place.

Régler la garde (Fig. H)



Réglez toujours la garde en fonction de la coupe spécifique à effectuer.

Pour les coupes d'onglet et/ou en biseau, vous devez déplacer la garde réglable (7) en fonction du sens de la coupe. De cette façon, l'ouvrage est toujours correctement soutenu par la garde quelque que soit les circonstances. Pour ce faire :

1. Desserrez le boulon de verrouillage de la garde réglable (35) ;
2. Réglez la garde en fonction de la coupe voulue. Pour les coupes d'onglet et les coupes droites, la garde doit être déplacée vers l'intérieur, vers la lame (maxi 8 mm), sans la toucher. Pour les coupes en biseau, la garde doit toujours être déplacée vers l'extérieur, loin de la lame (maxi 8 mm), sans la toucher ;
3. Serrez le boulon de verrouillage de la garde réglable (35) ;
4. Afin de garantir que la lame n'entre pas en contact avec la garde réglable (35), il est conseillé de faire un test du déplacement de la lame, sans allumer la machine.

Régler l'angle d'onglet (Fig. A)

L'angle d'onglet peut être réglé entre 45° du côté gauche et 45° du côté droit. Pour un réglage rapide et précis des angles d'onglet les plus couramment utilisés, des pré-réglages sont indiqués sur le plateau de la scie à 0°, 15°, 22,5°, 30° et 45°.

Régler l'angle d'onglet à un angle prédéfini :

1. Desserrez le bouton de réglage de l'angle d'onglet (14) ;
2. Tirez le levier de réglage de l'angle d'onglet (15) et pivotez le plateau (11) à gauche ou à droite jusqu'au pré-réglage voulu. L'angle peut être lu sur l'échelle de graduation de l'angle d'onglet (16) grâce au repère (17).
3. Relâchez le levier. Vous devez sentir que le levier s'engage dans le cran du pré-réglage.
4. Serrez le bouton de réglage de l'angle d'onglet (14).

Régler un angle d'onglet quelconque :

1. Desserrez le bouton de réglage de l'angle d'onglet (14) ;
2. Tirez le levier de réglage de l'angle d'onglet (15) et pivotez le plateau (11) à gauche ou à droite jusqu'à la position voulue. L'angle peut être lu sur l'échelle de graduation de l'angle d'onglet (16) grâce au repère (17).
3. Relâchez le levier et serrez le bouton de réglage de l'angle d'onglet (14).

Régler l'angle de biseau (Fig. A, B)

L'angle de biseau peut être réglé entre 0° et +45° du côté gauche. Pour ce faire :

1. Desserrez le bouton de réglage du biseau (22) ;
2. Inclinez la scie à l'aide de la poignée (2) jusqu'à ce que le repère (19) indique la position voulue sur l'échelle de graduation du biseau (20) ;
3. Serrez le bouton de réglage du biseau (22).

Allumer et éteindre la machine (Fig. A)

- Pour démarrer la machine, maintenez le bouton de déverrouillage (1) enfoncé pour déverrouiller le carter de protection et appuyez sur l'interrupteur Marche/Arrêt (3).
- Pour éteindre la machine, relâchez l'interrupteur Marche/Arrêt (3).

Effectuer une coupe transversale (Fig. I, J)

Respectez ces étapes pour scier perpendiculairement par rapport au fil du bois :

1. Réglez l'angle d'onglet et l'angle de biseau sur 0° ;
2. Déplacez la garde réglable vers l'intérieur, vers la lame. La distance maximum entre la garde réglable (35) et la lame de scie (6) est de 8mm, comme illustré par la figure J. Assurez-vous que la garde ne touche pas la lame.
3. Fixez fermement l'ouvrage ;
4. Allumez la machine. Assurez-vous que la lame de scie tourne à pleine vitesse ;
5. Abaissez alors doucement la poignée de sorte que la lame de scie coupe à travers l'ouvrage et qu'elle passe par la fente dans le plateau. Ne forcez pas trop sur la scie, laissez la machine fonctionner à son rythme ;
6. Relevez doucement la poignée et éteignez la machine en relâchant l'interrupteur.

Effectuer une coupe d'onglet (Fig. J, K)

Respectez ces étapes pour scier en biais sur la face avant du bois :

1. Réglez l'angle d'onglet à la position voulue et l'angle de biseau sur 0° ;
2. Déplacez la garde réglable vers l'intérieur, vers la lame. La distance maximum entre la garde réglable (35) et la lame de scie (6) est de 8mm, comme illustré par la figure J. Assurez-vous que la garde ne touche pas la lame.
3. Fixez fermement l'ouvrage ;
4. Allumez la machine. Assurez-vous que la lame de scie tourne à pleine vitesse ;

5. Abaissez alors doucement la poignée de sorte que la lame de scie coupe à travers l'ouvrage et qu'elle passe par la fente dans le plateau. Ne forcez pas trop sur la scie, laissez la machine fonctionner à son rythme ;
6. Relevez doucement la poignée et éteignez la machine en relâchant l'interrupteur.

Effectuer une coupe en biseau (Fig. L, M)

Respectez ces étapes pour scier le bord du bois en biseau :

1. Réglez l'angle d'onglet à 0° et l'angle de biseau à la position voulue ;
2. Déplacez la garde réglable vers l'extérieur, loin de la lame. La distance maximum entre la garde réglable (35) et la lame de scie (6) est de 8mm, comme illustré par la figure M. Assurez-vous que la garde ne touche pas la lame.
3. Fixez fermement l'ouvrage. Assurez-vous d'avoir placé la fixation pour l'ouvrage du côté droit ;
4. Allumez la machine. Assurez-vous que la lame de scie tourne à pleine vitesse ;
5. Abaissez alors doucement la poignée de sorte que la lame de scie coupe à travers l'ouvrage et qu'elle passe par la fente dans le plateau. Ne forcez pas trop sur la scie, laissez la machine fonctionner à son rythme ;
6. Relevez doucement la poignée et éteignez la machine en relâchant l'interrupteur.

Effectuer une coupe combinée (Fig. M, N)

Respectez ces étapes pour effectuer une coupe combinée, onglet et biseau :

1. Réglez l'angle d'onglet et l'angle de biseau à la position voulue ;
2. Déplacez la garde réglable vers l'extérieur, loin de la lame. La distance maximum entre la garde réglable (35) et la lame de scie (6) est de 8mm, comme illustré par la figure M. Assurez-vous que la garde ne touche pas la lame.
3. Fixez fermement l'ouvrage. Assurez-vous d'avoir placé la fixation pour l'ouvrage du côté droit ;
4. Allumez la machine. Assurez-vous que la lame de scie tourne à pleine vitesse ;
5. Abaissez alors doucement la poignée de sorte que la lame de scie coupe à travers l'ouvrage et qu'elle passe par la fente dans le plateau. Ne forcez pas trop sur la scie, laissez la machine fonctionner à son rythme ;
6. Relevez doucement la poignée et éteignez la machine en relâchant l'interrupteur.

Utiliser la fonction coulissante

Pour les très grandes pièces, la machine est équipée d'une fonction coulissante. Pour utiliser la fonction coulissante, assurez-vous de desserrer le boulon de verrouillage des rails coulissants (29). Tirez la poignée (2) loin de la garde (9) jusqu'à ce que la lame de scie se trouve devant l'ouvrage. Guidez lentement le bras de l'outil vers le bas à l'aide de la poignée et poussez ensuite la poignée (2) vers la garde (9) et la scie à travers l'ouvrage d'un geste fluide.

Pour les petites pièces, il est possible de fixer la fonction coulissante en position arrière à l'aide du boulon de verrouillage des rails coulissants (29). Si des coupes à plusieurs largeurs différentes sont nécessaires, il faut alors desserrer le boulon de verrouillage des rails coulissants (29).

Utiliser la butée en longueur (Fig. O)

La butée en longueur (8) sur les rallonges de plateau, gauche et droite (10), peut être utilisée pour faciliter la découpe de pièces à la même longueur.

1. Déplacez la butée en longueur (8) vers le haut ;
2. Desserrez le boulon de verrouillage de la rallonge du plateau (34) ;
3. Réglez la rallonge du plateau (10) à la longueur voulue.
4. Serrez le boulon de verrouillage de la rallonge du plateau (34).

Régler la butée de profondeur (Fig. P)

La butée de profondeur peut être réglée pour limiter la profondeur de coupe. Elle sert à faciliter les opérations de rainurage. Pour ce faire :

1. Desserrez l'écrou moleté du système de réglage de la profondeur (45) ;
2. Réglez le bouton de réglage de profondeur (24) à la profondeur voulue ;
3. Serrez l'écrou moleté du système de réglage de la profondeur (45).

Allumer et éteindre le laser (Fig. B)

Appuyez sur l'interrupteur du laser (46) pour allumer et éteindre le laser. L'interrupteur du laser (46) allume également l'éclairage de travail LED.

Réglage de précision



Avant de procéder à un quelconque réglage, débranchez la prise électrique.

Afin de garantir des coupes précises, les réglages de base de la scie doivent être contrôlés et ajustés avant la première utilisation et chaque fois que nécessaire après un usage intensif. Des outils spécifiques sont nécessaires. Le service après-vente Vonroc peut vous aider à le faire de façon rapide et fiable.

Réglage précis du laser (Fig. Q)

Remarque : L'outil électrique doit être branché pour pouvoir tester le fonctionnement du laser.



N'actionnez jamais l'interrupteur Marche/Arrêt pendant le réglage du laser (en déplaçant le bras de l'outil par l'exemple). Tout démarrage intempestif de l'outil électrique peut engendrer des blessures.

Si le laser (18) n'indique plus correctement la ligne de coupe, vous pouvez le régler. Pour ce faire :

1. Desserrez les vis de réglage du laser (48) et réglez le laser en le déplaçant jusqu'à ce que le faisceau rencontre la lame de scie (6) ;
2. Resserrez les vis de réglage du laser (48).

Réglage de précision du 0° de l'angle de biseau (Fig. R, S)

1. Réglez les angles d'onglet et du biseau sur 0° ;
2. Abaissez la poignée (2) et fixez-la à l'aide du bouton de verrouillage de position (38) ;
3. Verrouillez le déplacement du rail à l'aide du boulon de verrouillage des rails coulissants (29) ;
4. Réglez un rapporteur d'angle à 90° et placez-le sur le plateau (11), comme illustré par la figure S. La jambe du rapporteur d'angle doit affleurer la lame de scie (6) sur toute sa longueur ;
5. Desserrez l'écrou de verrouillage pour le 0° de l'angle de biseau (50) ;
6. Réglez le boulon d'arrêt pour le 0° de l'angle de biseau (32) jusqu'à ce que la jambe du rapporteur d'angle affleure la lame de scie sur toute sa longueur ;
7. Resserrez l'écrou de verrouillage du 0° de l'angle de biseau (50).

Contrôlez ensuite la position du repère de l'angle (19). Si nécessaire, desserrez le pointeur à l'aide d'un tournevis cruciforme, réglez la position 0° sur l'échelle de graduation de l'angle du biseau (20) et resserrez la vis de retenue.

Réglage de précision du 45° de l'angle de biseau (Fig. R, T)

1. Réglez les angles d'onglet et du biseau sur 45° ;
2. Abaissez la poignée (2) et fixez-la à l'aide du bouton de verrouillage de position (38) ;
3. Verrouillez le déplacement du rail à l'aide du boulon de verrouillage des rails coulissants (29) ;
4. Réglez un rapporteur d'angle à 90° et placez-le sur le plateau (11), comme illustré par la figure T. La jambe du rapporteur d'angle doit affleurer la lame de scie (6) sur toute sa longueur ;
5. Desserrez l'écrou de verrouillage pour le 45° de l'angle de biseau (49) ;
6. Réglez le boulon d'arrêt pour le 45° de l'angle de biseau (31) jusqu'à ce que la jambe du rapporteur d'angle affleure la lame de scie sur toute sa longueur ;
7. Resserrez l'écrou de verrouillage du 45° de l'angle de biseau (49).

Contrôlez ensuite la position du repère de l'angle (19). Si nécessaire, desserrez le pointeur à l'aide d'un tournevis cruciforme, réglez la position 45° sur l'échelle de graduation de l'angle du biseau (20) et resserrez la vis de retenue.

Réglage de précision du 0° de l'angle d'onglet (Fig. U, V)

1. Placez un rapporteur à 0° sur le plateau (11) et positionnez-le entre la garde (9) et la lame de scie (6) ;
2. La jambe du rapporteur doit affleurer la lame de scie (6) sur toute sa longueur ;
3. Desserrez les boulons de verrouillage de la garde réglable (35) et desserrez ensuite les boulons de sécurité de la garde réglable (36).
4. Retirez les deux gardes réglables gauche et droite (7), pour mettre les boulons à nu (51).
5. Desserrez les quatre boulons de la garde (51) et réglez la garde (9) jusqu'à ce que la jambe du rapporteur affleure la lame de scie sur toute sa longueur ;
6. Resserrez les quatre boulons de la garde (51).
Contrôlez ensuite la position du repère de l'angle (17). Si nécessaire, desserrez le pointeur à l'aide d'un tournevis cruciforme, réglez la position 0° sur l'échelle de graduation de l'angle de coupe (16) et resserrez la vis de retenue.
7. Réinstallez les deux gardes réglables gauche et droite (7).

8. Resserrez les boulons de verrouillage de la garde réglable (35) et resserrez ensuite les boulons de sécurité de la garde réglable (36).

5. ENTRETIEN



Avant le nettoyage et la maintenance, mettez toujours la machine hors tension et débranchez la fiche de la prise secteur.

Nettoyez le corps de la machine régulièrement au moyen d'un chiffon doux, de préférence après chaque utilisation. Vérifiez que les ouvertures d'aération ne sont pas obstruées ni sales. Utilisez un chiffon doux légèrement humidifié avec de la mousse de savon pour nettoyer les taches persistantes. N'utilisez pas de produits de nettoyage tels que l'essence, l'alcool, l'ammoniac, etc.; ces produits peuvent endommager les parties synthétiques.

Nettoyez les carters de protection

Contrôlez toujours l'absence de débris sur le carter de protection (4) et le carter de protection rétractable (5) avant d'utiliser la machine. Retirez la poussière de sciage et les éclats à l'aide d'une brosse ou d'un élément similaire.

Remplacer l'insert du plateau



Remplacez immédiatement les inserts de plateau endommagés.

Si un insert de plateau (13) est endommagé, il existe alors un risque que de petites pièces restent coincées entre l'insert du plateau et la lame de scie et bloquent la lame de scie. Pour remplacer l'insert du plateau :

1. Retirez les vis de l'insert du plateau à l'aide d'un tournevis cruciforme. Réglez, si nécessaire, les angles d'onglet et de biseau pour pouvoir accéder à ces vis ;
2. Retirez l'insert du plateau ;
3. Installez un insert de plateau neuf ;
4. Resserrez les vis à l'aide d'un tournevis cruciforme.

Glissières

L'encrassement peut endommager les glissières (25) et donc aussi le bon fonctionnement de la machine.

- Nettoyez régulièrement les glissières à l'aide d'un chiffon mou.

- Enduisez les glissières de quelques gouttes de lubrifiant.
- Bougez la scie d'onglet en avant et en arrière de sorte que l'huile se répande sur toute la glissière.

devront se limiter à la réparation ou le remplacement des éléments ou pièces non conformes.

Le produit et le manuel d'utilisation sont sujets à modifications. Les spécifications peuvent changer sans préavis.

ENVIRONNEMENT



Les équipements électroniques ou électriques défectueux ou destinés à être mis au rebut doivent être déposés aux points de recyclage appropriés.

Uniquement pour les pays de l'UE

Ne jetez pas les outils électriques avec les déchets domestiques. Selon la Directive européenne 2012/19/CE relative aux déchets d'équipements électriques et électroniques et sa mise en œuvre dans le droit national, les outils électriques hors d'usage doivent être collectés séparément et mis au rebut de manière écologique.

GARANTIE

Les produits VONROC sont développés aux plus hauts standards de qualité et ils sont garantis contre les défauts de pièces et de main d'oeuvre pendant la durée légale stipulée à partir de la date d'achat d'origine du produit. En cas d'une quelconque panne du produit pendant cette durée qui serait due à un défaut matériel et/ou de main d'oeuvre, contactez directement VONROC.

Les circonstances suivantes ne sont pas prises en charge par la garantie:

- Des réparations ou altérations ont été effectuées ou tentées sur la machine par un centre de réparation non agréé.
- L'usure normale.
- L'outil a été maltraité, mal utilisé ou mal entretenu.
- Des pièces détachées non d'origine ont été utilisées.

Ceci constitue l'unique garantie accordée par la société explicitement ou implicitement. Il n'existe aucune autre garantie, explicite ou implicite, qui peut s'étendre au delà du contenu ici présent, y compris les garanties marchandes ou d'adaptation à des fins particulières. En aucun cas VONROC ne sera tenu responsable de dommages accidentels ou consécutifs. Les solutions proposées par les revendeurs

1. INSTRUCCIONES DE SEGURIDAD

Lea las advertencias de seguridad, las advertencias de seguridad adicionales y las instrucciones adjuntas. Si no respeta las advertencias de seguridad y las instrucciones, pueden ocasionarse descargas eléctricas, incendios y/o lesiones graves. Guarde las advertencias de seguridad y las instrucciones para su futura consulta.

En el manual de usuario y en el producto se emplean los siguientes símbolos:



Lea el manual de usuario.



Denota riesgo de lesiones personales, pérdida de la vida o daños a la herramienta en caso de incumplimiento de las instrucciones del presente manual.



Riesgo de descarga eléctrica.



Mantenga alejadas a terceras personas.



Use una protección contra el polvo.



Use protección para los oídos.



Use protección para los ojos.



Atención: Radiación láser. No fije la vista en el haz del láser de clase 2.



Mantenga las manos alejadas del área de corte cuando la máquina esté en funcionamiento. El contacto con la hoja de la sierra puede causar lesiones.



¡Área de peligro! Mantenga las manos, los dedos y los brazos alejados de esta área.



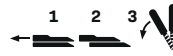
Transporte la máquina solo cuando esta esté hacia el interior, en posición de transporte.



Máquina de clase II - Doble aislamiento - No requiere enchufe con puesta a tierra.



El producto es conforme a las normas de seguridad aplicables según las directivas europeas.



La guía ajustable debe tirarse hacia afuera para aserrar ángulos de inglete o de bisel.



Tenga en cuenta las dimensiones de la hoja de la sierra. El diámetro del orificio debe calzar en el husillo de la herramienta sin hacer juego. Si es necesario utilizar reductores, compruebe que las dimensiones del reductor sean adecuadas para el espesor de la hoja de la base, para el diámetro del orificio de la hoja de la sierra y para el diámetro del husillo de la herramienta. Siempre que sea posible, utilice los reductores suministrados con la hoja de la sierra. El diámetro de la hoja de la sierra debe coincidir con la información especificada en el símbolo.

INSTRUCCIONES GENERALES DE SEGURIDAD



PRECAUCIÓN! Lea las advertencias de seguridad, las instrucciones, las ilustraciones y las especificaciones suministradas con la herramienta eléctrica. Si no sigue las instrucciones detalladas abajo, pueden producirse descargas eléctricas, incendios y/o lesiones graves.

Conserve estas instrucciones.

El término "herramienta eléctrica", en todas las advertencias enumeradas a continuación se refiere a su herramienta eléctrica (inalámbrica) que funciona con una batería o a través de la red eléctrica.

1) Área de trabajo

- Trabaje en un lugar limpio y bien iluminado. Lugares no iluminados o sucios propician accidentes.
- No use herramientas eléctricas donde haya riesgo de fuego o explosión, p.ej: cerca de líquidos o gases inflamables, polvo etc. Las herramientas eléctricas producen chispas que pueden producir la ignición de partículas de humo.

- c) **Mantenga a los niños y otras personas alejados mientras utiliza la herramienta eléctrica.** Las distracciones pueden hacer que pierda el control de la herramienta.
- 2) **Seguridad eléctrica**
- a) **Cerciórese de que las clavijas de la herramienta eléctrica están correctamente enchufadas. Nunca modifique la clavija. No utilice ningún adaptador para la clavija de una herramienta eléctrica con conexión a tierra.** Las clavijas que no se hayan cambiado y los enchufes adecuados reducen el riesgo de cortocircuitos.
- b) **Evite el contacto humano con superficies con conexiones a tierra como tubos metálicos, conductos, tubos de la calefacción, radiadores y refrigeradores.** El riesgo de cortocircuitos es mayor cuando el cuerpo está en contacto con el suelo.
- c) **No use herramientas eléctricas bajo la lluvia o en entornos húmedos.** Si entra agua en una herramienta eléctrica aumenta el riesgo de cortocircuito.
- d) **No utilice el cable para todo. Nunca utilice el cable para mover la máquina, empujarla o sacar la clavija del enchufe. Mantenga el cable alejado del calor, aceite, zonas cortantes o piezas en movimiento.** Los cables dañados o enredados aumentan el riesgo de cortocircuito.
- e) **Use un cable alargador impermeable adecuado para exteriores cuando trabaje con la herramienta eléctrica al aire libre.**
El riesgo de cortocircuito es menor si utiliza un cable alargador adecuado para exteriores.
- f) **Si no se puede evitar el uso de la herramienta eléctrica en un lugar húmedo, use suministro protegido mediante dispositivo diferencial residual (DDR).** El uso de un DDR reduce el riesgo de choque eléctrico.
- h) **No permita que la familiaridad adquirida con el uso frecuente de las herramientas le haga confiarse e ignorar los principios de seguridad de las herramientas.** Una acción descuidada puede causar lesiones graves en una fracción de segundo.
- 3) **Seguridad personal**
- a) **No se descuide, preste atención a lo que está haciendo y utilice el sentido común mientras trabaje con esta herramienta. No use herramientas eléctricas cuando esté cansado o esté bajo los efectos del alcohol, las drogas o los medicamentos.** Un momento de distracción, mientras utilice la herramienta eléctrica, puede provocar lesiones personales graves.
- b) **Use equipo de protección individual. Use siempre gafas protectoras.** El uso en condiciones apropiadas del equipo de seguridad como por ejemplo: mascarilla antipolvo, zapatos antideslizantes de seguridad, casco o protección para los oídos, disminuye el riesgo de sufrir lesiones personales.
- c) **Evite arranques involuntarios. Asegúrese de que el interruptor está en la posición de apagado antes de conectarlo a la fuente de electricidad.** Transportar herramientas eléctricas con el dedo puesto sobre el interruptor o enchufarlas con el interruptor encendido puede causar accidentes.
- d) **Quite cualquier llave de ajuste antes de encender la herramienta eléctrica.** Una llave olvidada junto a una pieza móvil de la herramienta eléctrica puede provocar lesiones personales graves.
- e) **No se estire demasiado. Mantenga siempre el equilibrio y tenga los pies en el suelo.** Esto permite un mayor control de la herramienta eléctrica en situaciones inesperadas.
- f) **Vístase apropiadamente. No lleve prendas holgadas o joyas. Mantenga su pelo, ropa alejados de las piezas móviles.** Las prendas holgadas, las joyas y el pelo largo pueden quedar atrapados en las piezas móviles.
- g) **Si se han suministrado dispositivos para la extracción y recogida de polvo asegúrese de que estos estén conectados y se utilicen correctamente.** El uso de estos dispositivos puede reducir los riesgos relacionados con el polvo.
- h) **Mantenga las asas y las superficies de agarre secas, limpias y libres de aceite y grasa.** Las asas y las superficies de agarre resbaladizas no permiten un manejo y control seguros de la herramienta en situaciones inesperadas.
- 4) **Utilización y cuidados de la herramienta eléctrica**
- a) **No fuerce la herramienta eléctrica. Utilice la herramienta eléctrica adecuada para el trabajo que vaya a realizar.** Una herramienta eléctrica apropiada realizará un trabajo mejor y más seguro si se utiliza para el objetivo con el que ha sido diseñada.
- b) **No use herramientas que no pueden encenderse o apagarse con el interruptor.** Las herramientas que ya no se puedan encender y apagar son peligrosas y deben repararse.
- c) **Desconecte el enchufe de la fuente de alimentación y/o quite el paquete de baterías, si es**

desmontable, de la herramienta eléctrica antes de hacer cualquier ajuste, cambiar los accesorios o guardar la herramienta eléctrica. Tales medidas de seguridad preventivas reducen el riesgo de la puesta en marcha accidental.

- d) **Mantenga a los niños alejados de una herramienta eléctrica sin utilizar y no permita a personas que no estén familiarizadas con la máquina o estas instrucciones utilizar la herramienta.** La herramienta eléctrica puede ser peligrosa cuando la utilicen personas sin experiencia.
 - e) **Realice el mantenimiento de las herramientas eléctricas y los accesorios. Verifique cualquier desalineación o agarrotamiento de piezas móviles, piezas dañadas y cualquier otra causa, que pudiera repercutir en el buen funcionamiento de la herramienta eléctrica. Si la herramienta está estropeada, repárela antes de utilizarla.** Muchos de los accidentes están causados por un mantenimiento insuficiente del equipo eléctrico.
 - f) **Mantenga las herramientas de corte limpias y afiladas.** Sierras con esquinas cortantes con un buen mantenimiento se bloquean menos y son más fáciles de controlar.
 - g) **Utilice la herramienta eléctrica, accesorios y brocas etc. Siguiendo las instrucciones atendiendo al tipo de herramienta eléctrica y tenga en cuenta las condiciones de trabajo y el tipo de trabajo que se va a realizar.** Puede ser peligroso realizar trabajos con la herramienta diferentes de aquellos para los que está diseñada.
- 5) **Servicio**
- a) **Haga reparar su herramienta eléctrica por una persona cualificada, usando solo piezas de repuesto idénticas.** Esto garantiza que se mantenga la seguridad de la herramienta eléctrica.

INSTRUCCIONES DE SEGURIDAD ESPECÍFICAS

- **Las sierras ingletadoras han sido diseñadas para cortar madera o productos semejantes, pero no pueden utilizarse con discos de corte abrasivos para cortar materiales ferrosos tales como barras, varillas, pernos, etc.** El polvo abrasivo hace que las piezas móviles como el protector inferior se atasquen. Las chispas que produce el corte abrasivo pueden encender el protector inferior, la placa de corte y otras piezas plásticas.
- **Use mordazas para fijar la pieza de trabajo siem-**

pre que sea posible. Si sujeta la pieza de trabajo con la mano, siempre debe mantener la mano a una distancia mínima de 100 mm a cada lado de la hoja de la sierra. No use esta sierra para cortar piezas que sean demasiado pequeñas para fijarlas o sujetarlas con la mano en modo seguro. Si coloca la mano demasiado cerca de la hoja de la sierra, aumenta el riesgo de lesiones por el contacto con la hoja de la sierra.

- **La pieza de trabajo debe estar fija y sujeta o sostenida contra la guía y la mesa. No introduzca la pieza de trabajo en la hoja ni corte “a mano alzada” en ningún caso.** Las piezas de trabajo que no estén sujetas o que se muevan pueden ser lanzadas a altas velocidades y causar lesiones.
- **Empuje la sierra por la pieza de trabajo. No tire de la sierra a través de la pieza de trabajo. Para hacer un corte, levante la cabeza de la sierra y tire de ella hacia fuera de la pieza de trabajo sin cortar, arranque el motor, presione la cabeza de la sierra hacia abajo y empuje la sierra por la pieza de trabajo.** El corte en la carrera de tracción puede hacer que la hoja de la sierra se suba encima de la pieza de trabajo y arroje violentamente el conjunto de la hoja hacia el operador.
- **Nunca cruce la mano sobre la línea de corte prevista, ni por delante ni por detrás de la hoja de la sierra.** Sujetar la pieza de trabajo con las “manos cruzadas”, es decir, sosteniendo la pieza de trabajo a la derecha de la hoja de la sierra con la mano izquierda o viceversa, es muy peligroso.
- **No acerque las manos a más de 100 mm de la hoja de la sierra por detrás de la guía, ni para retirar restos de madera ni por ningún otro motivo, mientras la hoja esté girando.** La proximidad de la hoja de la sierra giratoria a las manos puede no ser obvia y usted puede resultar gravemente lesionado.
- **Inspeccione la pieza de trabajo antes de cortarla. Si la pieza de trabajo está arqueada o deformada, sujétela con la cara exterior arqueada mirando hacia la guía. Compruebe siempre que no quede ningún espacio entre la pieza de trabajo, la guía y la mesa, a lo largo de la línea de corte.** Las piezas de trabajo dobladas o deformadas pueden torcerse o desplazarse y pueden causar atascos al girar la hoja de la sierra durante el corte. La pieza de trabajo no debe contener clavos ni otros objetos extraños.
- **No use la sierra hasta haber despejado la mesa de todo tipo de herramientas, restos de made-**

ra, etc.; debe quedar solo la pieza de trabajo. Si algún resto pequeño o trozo suelto de madera u otro objeto entra en contacto con la hoja giratoria, puede ser lanzado a gran velocidad.

- **Corte solo una pieza de trabajo a la vez.** Si se apilan varias piezas de trabajo, estas no pueden sujetarse ni asegurarse adecuadamente y pueden atascarse en la hoja o desplazarse durante el corte.
- **Antes de usar la sierra ingletadora, compruebe que esté montada o colocada sobre una superficie de trabajo nivelada y firme.** Una superficie de trabajo plana y firme reduce el riesgo de que la sierra ingletadora se vuelva inestable.
- **Planifique su trabajo. Cada vez que cambie el ajuste de bisel o el ángulo de inglete, compruebe que la guía ajustable esté ajustada correctamente para sostener la pieza de trabajo y que no interfiera con la hoja ni con el sistema de protección.** Sin encender la sierra y sin ninguna pieza de trabajo en la mesa, mueva la hoja de la sierra haciendo un corte simulado completo para comprobar que no haya interferencias ni riesgo de cortar la guía.
- **En caso de que la pieza de trabajo sea más ancha o más larga que el tablero de la mesa, dótense de un soporte adecuado, como extensiones de mesa, caballote de aserrar, etc.** Las piezas de trabajo más largas o más anchas que la mesa de la sierra ingletadora pueden ladearse si no están bien apoyadas. Si la pieza cortada o la pieza de trabajo se ladea, puede levantar el protector inferior o ser lanzada por la hoja giratoria.
- **No utilice a otra persona en lugar de una extensión de mesa o como soporte adicional.** Un soporte inestable de la pieza de trabajo puede hacer que la hoja se atasque o que la pieza de trabajo se desplace durante la operación de corte, arrastrándole a usted y a su ayudante hacia la hoja giratoria.
- **La pieza de corte no debe estar atascada ni presionada de ningún modo contra la hoja giratoria de la sierra.** Si está restringida, por ejemplo, si se utilizan topes de longitud, la pieza de corte puede quedar atrapada contra la hoja y ser lanzada violentamente.
- **Siempre use unas mordazas o un accesorio diseñado para sujetar adecuadamente materiales redondos como varillas o tubos.** Las varillas tienden a girar durante el corte, lo que hace que

la hoja “muerda” y arrastre la pieza de trabajo y la mano hacia la hoja.

- **Deje que la hoja alcance la velocidad máxima antes de que entre en contacto con la pieza de trabajo.** Esto reduce el riesgo de que la pieza de trabajo sea lanzada.
- **En caso de atasco de la pieza de trabajo o de la hoja, apague la sierra ingletadora. Espere a que todas las piezas móviles se detengan y desconecte el enchufe de la fuente de alimentación y/o retire la batería. Después libere el material atascado.** Si sigue aserrando con la pieza de trabajo atascada puede producirse una pérdida de control o daños a la sierra ingletadora.
- **Después de terminar el corte, suelte el interruptor, mantenga baja la cabeza de la sierra y espere a que la hoja se detenga antes de retirar la pieza de corte.** Acercar la mano a la hoja de corte cuando aún se mueve es peligroso.
- **Sujete firmemente la empuñadura cuando haga un corte incompleto o cuando suelte el interruptor antes de que la cabeza de la sierra quede totalmente en posición baja.** El frenado de la sierra puede hacer que la cabeza de la sierra caiga repentinamente hacia abajo, con riesgo de lesiones.
- **Mantenga limpia el área de trabajo. Las mezclas de materiales son particularmente peligrosas.** El polvo metálico ligero puede incendiarse o explotar.
- **No utilice hojas de sierra desafiladas, rajadas, dobladas o dañadas. Las hojas desafiladas o mal colocadas producen una entalladura estrecha que causa fricción excesiva, atascamiento de la hoja y contragolpes.**
- **No utilice hojas de sierra de acero rápido (HSS).** Este tipo de hojas de sierra se rompen fácilmente.
- **Use siempre hojas con orificios del eje de tamaño y forma correcta (diamantados vs. redondos).** Las hojas de sierra que no coinciden con el orificio de montaje de la sierra se ejecutarán de forma descentrada, causando la pérdida de control.
- **No sustituya el láser integrado con un láser de otro tipo.** Un láser que no sea compatible con esta herramienta eléctrica puede representar un riesgo para las personas.
- **Nunca retire recortes, astillas de madera, etc. del área de corte mientras la herramienta eléctrica esté funcionando.** Primero guíe siempre el brazo de la herramienta hacia la posición neutral y después apague la herramienta.

- **No toque la hoja de la sierra inmediatamente después de terminar el trabajo, antes déjela enfriar.** La hoja de la sierra se calienta mucho durante el trabajo.
- **Nunca altere las señales de advertencia en la máquina de modo que sean irreconocibles.**
- **Si la radiación láser le “golpea” un ojo, debe cerrar los ojos y girar inmediatamente la cabeza para alejarla del haz.**
- **No utilice ningún instrumento óptico, como prismáticos, para ver la fuente de radiación.** Si lo hace, puede dañarse la vista.
- **No dirija el rayo láser hacia personas que estén mirando con binoculares o instrumentos similares.** Si lo hace, puede dañarles la vista.
- **No aporte ninguna modificación al equipo láser.** Las opciones de ajuste descritas en este manual de instrucciones pueden utilizarse de forma segura.
- **No se ponga en línea con la hoja de la sierra por delante de la herramienta eléctrica. Manténgase siempre al costado de la hoja de la sierra.** Así protegerá su cuerpo contra posibles contragolpes.
- **Mantenga las manos, los dedos y los brazos alejados de la hoja giratoria de la sierra.**
- **No extienda una mano sobre la otra cuando se encuentre delante del brazo de la herramienta.**
- **Evite el sobrecalentamiento de los dientes de la sierra. Cuando la hoja de la sierra se sobrecaliente, detenga la máquina.** Deje que la hoja de la sierra se enfríe antes de volver a utilizar la máquina.
- **Cambie inmediatamente las hojas de la sierra si están dañadas o desgastadas.**
- **Utilice solo hojas de sierra que se ajusten a las especificaciones de este manual de instrucciones y que hayan sido probadas y marcadas de acuerdo con la norma EN 847-1.**
- **Si corta piezas curvas o redondas, estas deben estar bien sujetas para evitar que se deslicen. En la línea de corte no debe quedar ningún espacio entre la pieza de trabajo, la guía y la mesa de la sierra.** En su caso, deberá fabricar accesorios especiales.

- Si la red eléctrica de cables resulta dañada, se debe sustituir con una red de cables especial que se puede obtener del servicio de atención al cliente.
- Utilice únicamente cables alargadores que sean adecuados para la potencia nominal de la máquina con un grosor mínimo de 1,5 mm². Si utiliza un cable alargador en rollo, desenrolle totalmente el cable.

2. INFORMACIÓN DE LA MÁQUINA

Uso previsto

Esta herramienta ha sido concebida como máquina fija para realizar cortes rectos longitudinales y transversales en madera, al hilo y a contrahílo. Se pueden cortar ángulos de inglete de -45° a +45° y ángulos de bisel de -0° a +45°. La herramienta eléctrica con la hoja de la sierra montada ha sido diseñada con capacidad suficiente para el aserrado de madera dura y blanda, aglomerado y tableros de fibra. La hoja de la sierra no ha sido diseñada para cortar leña. No utilice la sierra para cortar materiales que no sean los especificados en el manual.

ESPECIFICACIONES TÉCNICAS

Modelo n.º	MS504AC
Tensión	220-240V~
Frecuencia	50 Hz
Potencia de entrada	1800W S1 - 2200W S6 40%*
Velocidad en vacío	5200/min
Ángulos de inglete	-45° <> +45°
Ángulos de bisel	-45° <> 0° a la izquierda, bisel simple
Especificaciones de la hoja de la sierra:	
Diámetro	Ø 216 mm
Espesor de la hoja básica	1,6 mm
Ancho de corte	2,8 mm
Diámetro del calibre	Ø 30 mm
Número de dientes	40T
Capacidad de la sierra (alto x ancho):	
Inglete 0° - Bisel 0°	65 x 300 mm
Inglete 0° - Bisel 45°	38 x 300 mm
Inglete 45° - Bisel 0°	65 x 200 mm
Inglete 45° - Bisel 45°	38 x 200 mm

Seguridad eléctrica



Compruebe siempre que la tensión del suministro eléctrico corresponda con la tensión de la placa de características.

Dimensiones mínimas de la pieza	3 x 10 mm
Especificaciones del láser:	
Clase	2
Longitud de onda	650 nm
Salida	< 1 mW
Peso	14 kg
Lpa (nivel de presión acústica)	98 dB(A) KpA: 3 dB(A)
Lwa (nivel de potencia acústica)	111 dB(A) KWA: 3 dB(A)

* S6, funcionamiento continuo en servicio periódico. Ciclos de trabajo idénticos con un período de carga seguido de un período sin carga. Tiempo de funcionamiento 10 minutos; el ciclo de trabajo es el 40% del tiempo de funcionamiento.

DESCRIPCIÓN

Los números del texto se refieren a los diagramas de las páginas 2-7.

1. Botón de desbloqueo
2. Asa
3. Interruptor de encendido/apagado
4. Protector de seguridad
5. Protector de seguridad retráctil
6. Hoja de la sierra
7. Guía ajustable
8. Tope de longitud
9. Guía
10. Extensión de la mesa
11. Mesa
12. Orificios de montaje
13. Placa de corte
14. Perilla de ajuste de inglete
15. Palanca de ajuste de inglete
16. Escala de ángulo de inglete
17. Indicador de ángulo de inglete
18. Láser
19. Indicador de ángulo de bisel
20. Escala para ángulo de bisel
21. Abrazadera de la pieza de trabajo
22. Perilla de ajuste de bisel
23. Rodillo
24. Perno de ajuste de profundidad
25. Barras deslizantes
26. Bolsa colectora de polvo
27. Asa de transporte
28. Salida de polvo
29. Perno de bloqueo para barras deslizantes
30. Brazo de inglete

31. Perno de tope de ángulo de bisel a 45°
32. Perno de tope de ángulo de bisel a 0°
33. Perno de bloqueo de mordaza de pieza de trabajo
34. Perno de bloqueo de extensión de la mesa
35. Perno de bloqueo de guía ajustable
36. Perno de seguridad de la guía ajustable
37. Protector de inclinación delantero
38. Perilla de bloqueo de posición
39. Perilla del brazo de inglete
40. Perno de retención
41. Brida de sujeción
42. Perno de sujeción
43. Bloqueo del husillo
44. Perilla de la abrazadera de la pieza de trabajo
45. Tuerca moleteada para ajuste de profundidad
46. Luz de trabajo de LED
47. Perno del brazo de inglete
48. Tornillos para el ajuste del láser
49. Tuerca de bloqueo del ángulo de bisel a 45°
50. Tuerca de bloqueo del ángulo de bisel a 0°
51. Pernos de la guía
52. Soporte del brazo de inglete

3. MONTAJE



Antes de realizar cualquier trabajo en la máquina, desenchufe el cable de alimentación de la red eléctrica.

Posición de transporte (Fig. B, C)

La perilla de bloqueo de posición (38) facilita el desplazamiento de la herramienta eléctrica cuando se la transporta a diferentes lugares de trabajo.

Desbloqueo de la posición de transporte (posición de trabajo)

1. Presione ligeramente el asa (2) hacia abajo.
2. Tire de la perilla de bloqueo de posición (38) totalmente hacia fuera y bloquéela en su lugar girándola.
3. Mueva lentamente la empuñadura (2) hacia arriba.

Bloqueo de la posición de transporte (posición de transporte)

Antes de bloquear la herramienta en la posición de transporte, compruebe que el perno de ajuste de profundidad (24) esté ajustado a una profundidad ilimitada. De este modo, el asa (2) puede moverse totalmente hacia abajo sin tocar el tope de profun-

dad. Además, retire todos los accesorios que no puedan montarse de forma segura en la máquina.

1. Afloje el perno de bloqueo de las barras deslizantes (29), si está apretado.
2. Tire del asa (2) hacia usted y apriete el perno de bloqueo de las barras deslizantes (29).
3. Presione el asa (2) hacia abajo.
4. Bloquee la perilla de bloqueo de posición (38) tirando primero y girándola después.
5. Enrolle el cable de red y átelo con el sujetacable suministrado.

Después de bloquear la máquina en posición de transporte, con el asa de transporte (27) podrá transportarla en modo seguro.



Utilice únicamente el asa de transporte para transportar la máquina, nunca use los protectores.

Montaje del brazo de inglete (Fig. D, Y)

La parte delantera de la superficie de la mesa, en adelante el brazo de inglete (30), puede extraerse para conseguir dimensiones exteriores aún más pequeñas con esta sierra de inglete compacta.

Para montar el brazo de inglete:

1. Desbloquee la posición de transporte (posición de trabajo).
2. Afloje la perilla de ajuste de inglete (14).
3. Gire la mesa (11) a la izquierda o a la derecha hasta la ajuste predeterminado de 0°. El ángulo puede leerse en la escala de ángulo de inglete (16) usando el indicador de ángulo de inglete (17).
4. Tire y mantenga tirada la perilla del brazo de inglete (39), como se muestra en la Fig. D1, usando una mano.
5. Con la otra mano, introduzca el brazo de inglete (30) en la mesa (11), como se muestra en la Fig. D2, mientras tira de la palanca de ajuste de inglete (15). Compruebe que los extremos del triángulo invertido del brazo de inglete (30) encajen correctamente en las muescas de forma idéntica de la mesa (11).
6. Ahora suelte la perilla del brazo de inglete (39) y la palanca de ajuste de inglete (15).
7. Asegure el brazo de inglete (30) apretando el perno del brazo de inglete (47), como se muestra en la Fig. D-3.

Nota: si se desmonta el brazo de inglete (30), puede guardarse en el soporte del brazo de inglete (52), como se muestra en la Fig. Y.

Instalación de una máquina fija (Fig. A, B, D)

Para garantizar una manipulación segura, la herramienta eléctrica debe montarse sobre una superficie de trabajo plana y estable (p. ej., un banco de trabajo), antes de usarla. La máquina puede instalarse de tres maneras:

1. En un banco de trabajo

En este caso, la máquina debe fijarse al banco de trabajo con tornillos de fijación adecuados. Para hacerlo deberá utilizar los cuatro orificios (12). Como se muestra en la Fig. D.

2. En un bastidor auxiliar



Lea todas las advertencias e instrucciones suministradas con el soporte de la sierra. Si no respeta las advertencias de seguridad y no sigue las instrucciones, pueden ocasionarse descargas eléctricas, incendios y/o lesiones graves.



Monte correctamente el soporte de la sierra antes de montar la herramienta eléctrica. Un montaje correcto es importante para evitar el riesgo de derrumbe.

En este caso, la máquina debe fijarse al bastidor auxiliar con pernos. Para hacerlo deberá utilizar los cuatro orificios (12). El bastidor auxiliar debe estar anclado con 4 pernos a una placa en el suelo que tenga una dimensión de por lo menos 1 metro cuadrado. Monte la herramienta eléctrica en el soporte de la sierra en la posición de transporte.

3. Instalación flexible



El fabricante recomienda no efectuar este tipo de instalación.

En circunstancias excepcionales y si no es posible montar la herramienta eléctrica sobre una superficie de trabajo plana y estable, puede improvisar colocándola con los protectores de inclinación.



Sin el protector de inclinación, la herramienta eléctrica no será estable y puede volcarse, especialmente cuando se cortan ángulos máximos de inglete y/o bisel.

- El protector de inclinación trasera está fijado a la base de la máquina y no se puede ajustar.
- Gire el protector de inclinación delantero (37) hacia dentro o hacia fuera, como se muestra en la figura F, hasta que la herramienta quede nivelada en la superficie de trabajo.

Comprobación del protector de seguridad (Fig. A)

El protector de seguridad retráctil (5) protege contra el contacto accidental con la hoja de la sierra y contra las virutas de aserrado que vuelan alrededor. Antes del uso, debe comprobar si el protector de la hoja de la sierra funciona correctamente. Para hacerlo, tire del asa (2) hacia abajo y compruebe lo siguiente:

- El protector de seguridad retráctil (5) debe permitir el acceso a la hoja de la sierra (6) sin entrar en contacto con otras piezas.
- Al doblar la sierra hacia arriba a la posición inicial, el protector de seguridad retráctil (5) debe cubrir automáticamente toda la hoja de la sierra (6).

Sustitución de la hoja de la sierra (Fig. G)



Antes de realizar cualquier trabajo en la máquina, desenchufe el cable de alimentación de la red eléctrica.



Cuando monte la hoja de la sierra, use guantes protectores. Peligro de lesiones al tocar la hoja de la sierra.



Utilice únicamente hojas de sierra que correspondan con los datos de las características indicados en las instrucciones de funcionamiento. Use solo hojas de sierra que tengan indicada una velocidad igual o superior a la velocidad indicada en la máquina.



No utilice en ningún caso discos abrasivos como herramienta de corte.

Antes de sustituir la hoja de la sierra, se recomienda vivamente ajustar el ángulo de inglete y el ángulo de bisel en 0°. De lo contrario, el acceso puede ser limitado.

Desmontar la hoja de la sierra

1. Bloquee la sierra en posición superior utilizando la perilla de bloqueo de posición (38).
2. Afloje el perno de retención (40) con un destornillador con cabeza philips, como se muestra en la figura G1. ADVERTENCIA. No retire completamente el perno de retención (40), solo aflójelo.
3. Doble hacia arriba el protector de seguridad retráctil (5) hasta que pueda acceder libremente al perno de apriete (42), como se muestra en la figura G2.
4. Introduzca la llave hexagonal en el perno de apriete (42). Puede soltar el protector de seguridad retráctil (5), se plegará sobre la llave hexagonal.
5. Gire el perno de apriete (42) con la llave hexagonal (34) y, al mismo tiempo, presione el bloqueo del husillo (43) hasta que encaje.
6. Sujete firmemente el bloqueo del husillo (43) y afloje el tornillo de apriete (42) girándolo en sentido horario (rosca a la izquierda).
7. Quite el tornillo de sujeción (42) y la brida de sujeción (41). Ahora puede sacar la hoja de la sierra (6).

Montar la hoja de la sierra



Cuando monte la hoja de la sierra, compruebe que la dirección de corte de los dientes (dirección de la flecha de la hoja de la sierra) coincida con la dirección de la flecha del protector (4).



Cuando coloque la hoja de la sierra (6), compruebe que gire libremente en la placa de corte (13) con el ajuste de ángulo en 0° y 45°.

1. Limpie la hoja de la sierra y todas las piezas de sujeción que vaya a montar.
2. Afloje el perno de retención (40) con un destornillador con cabeza philips, como se muestra en la figura G1. ADVERTENCIA. No retire completamente el perno de retención (40), solo aflójelo.
3. Doble hacia arriba el protector de seguridad retráctil (5) hasta que pueda acceder libremente al perno de apriete (42), como se muestra en la figura G2.
4. Introduzca la llave hexagonal en el perno de apriete (42). Puede soltar el protector de seguridad retráctil (5), se plegará sobre la llave hexagonal.

- Montar la brida de sujeción (41). Compruebe que los lados planos de la brida de sujeción coincidan con los lados planos del eje de la hoja. Compruebe también que el lado convexo de la brida de sujeción esté montado hacia el exterior.
- Monte el perno de apriete (42) y gírelo con la llave hexagonal y, al mismo tiempo, presione el bloqueo del husillo (43) hasta que encaje.
- Sujete firmemente el bloqueo del husillo (43) y apriete el tornillo de apriete (42) girándolo en sentido antihorario.

Extracción de polvo (Fig. A, B, W, X)



El lugar de trabajo debe tener una buena ventilación.



Use protección contra el polvo.

El polvo de materiales, como la pintura con plomo y algunos tipos de madera, puede ser perjudicial para la salud. La inhalación de este polvo puede provocar reacciones alérgicas y/o enfermedades respiratorias para el usuario o las personas que se encuentren cerca. Algunos tipos de polvo, como los de roble o haya, han sido clasificados como carcinógenos, especialmente cuando están combinados con aditivos de tratamiento de la madera (cromato, conservador de la madera). Recomendamos vivamente utilizar un sistema de extracción de polvo adecuado para el material siempre que sea posible.



Evite la acumulación de polvo en el lugar de trabajo. El polvo puede inflamarse fácilmente.

El sistema de extracción de polvo puede bloquearse con el polvo, las virutas o los fragmentos de la pieza de trabajo. Por lo tanto, hay que limpiarlo periódicamente. Para hacerlo, deberá:

- Desconectar el enchufe de la fuente de alimentación.
- Esperar a que la hoja de la sierra se detenga por completo.
- Eliminar cualquier obstrucción, si es necesario.

Montaje de la bolsa de polvo (Fig. W)

Presione la abrazadera de la bolsa de polvo (26) y deslícela por la salida de polvo (28) situada en la parte posterior de la máquina. La bolsa de polvo se mantiene en su lugar al soltar la abrazadera.

Conexión de una aspiradora (Fig. X)



El extractor de polvo debe ser adecuado para el material con el cual se trabaja.



Si aspira polvo seco especialmente perjudicial para la salud o cancerígeno, debe usar un extractor de polvo especial.

Puede conectar una manguera de aspiración a la salida de polvo (28). Para hacerlo, solo deberá conectar la manguera de aspiración a la salida de aspiración.

4. FUNCIONAMIENTO



Antes de encender la máquina, compruebe siempre que la hoja de la sierra esté bien colocada. La hoja debe girar suavemente.



Compruebe siempre los protectores de seguridad antes de usar la sierra.



Para todos los cortes, primero debe comprobar que la hoja de la sierra no toque en ningún momento la guía, la abrazadera de la pieza de trabajo ni otras piezas de la máquina. Retire los topes auxiliares montados, si los hubiera, o ajústelos correctamente.

Apoyo de la pieza de trabajo (Fig. H)

Las piezas de trabajo deben estar siempre correctamente apoyadas. Las extensiones de la mesa (10) pueden extenderse a la izquierda y a la derecha para apoyar la pieza de trabajo. Para hacerlo, deberá:

- Aflojar el perno de bloqueo de la mesa de extensión (34).
- Mover la mesa de extensión (10) hacia la posición deseada.
- Apretar el perno de bloqueo de la mesa de extensión (34).

Cuando corte piezas de trabajo extremadamente largas, el extremo libre de tales piezas debe tener un sostén adicional debajo o estar apoyado.

Sujeción de la pieza de trabajo (Fig. H)

Las piezas de trabajo deben estar siempre bien sujetas. La abrazadera de la pieza de trabajo (21) puede colocarse a la izquierda y a la derecha de la pieza de trabajo. Para hacerlo, deberá:

1. Comprobar que la pieza de trabajo esté firmemente presionada contra la guía (9).
2. Insertar la abrazadera de la pieza de trabajo (21) suministrada en uno de los orificios previstos, como se muestra en la figura H.
3. Ajustar la varilla roscada de la abrazadera de la pieza de trabajo (21) a la altura de la pieza de trabajo.
4. Ajustar bien la varilla roscada de la abrazadera de la pieza de trabajo (21) para fijar la pieza de trabajo en su posición. Para aflojarla, solo tiene que aflojar la varilla roscada de la abrazadera de la pieza de trabajo (21).

Con la perilla de sujeción de la pieza de trabajo (44) se puede ajustar más rápidamente la altura de la abrazadera de la pieza de trabajo (21). Tras ajustar la altura, apriete siempre bien la varilla roscada de la abrazadera de la pieza de trabajo (21) para fijar la pieza de trabajo en su posición.

Ajuste de la guía (Fig. H)



Ajuste siempre la guía de acuerdo con el tipo de corte específico.

Para aserrar ángulos de inglete y/o de bisel, debe desplazar la guía ajustable (7) en función de la dirección de corte. De este modo, la pieza de trabajo siempre está sostenida correctamente por la guía en todas las condiciones. Para hacerlo, deberá:

1. Aflojar el perno de bloqueo de la guía ajustable (35).
2. Ajustar la guía de acuerdo con el corte que desee efectuar. Para cortes de inglete o rectos, la guía debe desplazarse hacia dentro, hacia la hoja de la sierra (máx. 8 mm), y no debe tocar la hoja. Para cortes de bisel, la guía debe desplazarse hacia afuera de la hoja (máx. 8 mm), y no debe tocar la hoja.
3. Afloje el perno de bloqueo de la guía ajustable (35).
4. Para que la hoja no entre en contacto con la guía ajustable (35), se aconseja realizar una prueba del movimiento de la hoja, sin encender la máquina.

Ajuste del ángulo de inglete (Fig. A)

El ángulo de inglete puede ajustarse entre 45° a la izquierda y 45° a la derecha. Para un ajuste rápido y preciso de los ángulos de inglete de uso corrien-

te, la mesa de la sierra tiene ángulos predeterminados en 0°, 15°, 22,5°, 30° y 45°.

Ajuste del ángulo de inglete a los valores predeterminados:

1. Afloje la perilla de ajuste de inglete (14).
2. Tire de la palanca de ajuste de ingletes (15) y gire la mesa (11) a la izquierda o a la derecha hasta el ajuste predeterminado que prefiera. El ángulo se puede leer en la escala de ángulo de inglete (16) usando el indicador de ángulo de inglete (17).
3. Suelte la palanca. Debe oír que la palanca encaja en la muesca del ajuste predeterminado.
4. Apriete la perilla de ajuste de inglete (14).

Ajuste del ángulo de inglete en cualquier ángulo que se desee:

1. Afloje la perilla de ajuste de inglete (14).
2. Tire de la palanca de ajuste de inglete (15) y gire la mesa (11) a la izquierda o a la derecha hasta la posición que desee. El ángulo se puede leer en la escala de ángulo de inglete (16) usando el indicador de ángulo de inglete (17).
3. Suelte la palanca y apriete la perilla de ajuste de inglete (14).

Ajuste del ángulo de bisel (Fig. A, B)

El ángulo de bisel puede ajustarse entre 0° y +45° a la izquierda. Para hacerlo, deberá:

1. Aflojar la perilla de ajuste de bisel (22).
2. Inclinar la sierra con el asa (2) hasta que el indicador (19) lea la posición deseada en la escala de ángulo de bisel (20).
3. Aflojar la perilla de ajuste de bisel (22).

Encendido y apagado de la máquina (Fig. A)

- Para poner en marcha la máquina, pulse y mantenga pulsado el botón de desbloqueo (1) para desbloquear el resguardo de protección, y pulse el interruptor de encendido/apagado (3).
- Para parar la máquina, suelte el interruptor de encendido/apagado (3).

Realización de un corte transversal (Fig. I, J)

Siga los siguientes pasos para cortar perpendicularmente a la veta de la madera:

1. Ajuste el ángulo de inglete y el ángulo de bisel en 0°.
2. Desplace la guía ajustable a la posición interior, hacia la hoja. La distancia máxima entre la guía ajustable (35) y la hoja de la sierra (6) es de 8

mm, como se muestra en la figura J. Compruebe que la guía no toque la hoja.

3. Sujete firmemente la pieza de trabajo.
4. Encienda la máquina. Compruebe que la hoja de la sierra haya alcanzado la velocidad máxima.
5. Ahora baje lentamente el asa para que la hoja de la sierra corte la pieza de trabajo y pase a través de la ranura de la mesa. No ejercite demasiada fuerza sobre la sierra, déjela hacer el trabajo.
6. Vuelva a levantar suavemente el asa y apague la máquina soltando el interruptor.

Realización de un corte de inglete (Fig. J, K)

Siga los siguientes pasos para realizar un corte angular a la superficie de la madera:

1. Ajuste el ángulo de inglete en la posición que desee, y el ángulo de bisel en 0°.
2. Desplace la guía ajustable a la posición interior, hacia la hoja. La distancia máxima entre la guía ajustable (35) y la hoja de la sierra (6) es de 8 mm, como se muestra en la figura J. Compruebe que la guía no toque la hoja.
3. Sujete firmemente la pieza de trabajo.
4. Encienda la máquina. Compruebe que la hoja de la sierra haya alcanzado la velocidad máxima.
5. Ahora baje lentamente el asa para que la hoja de la sierra corte la pieza de trabajo y pase a través de la ranura de la mesa. No ejercite demasiada fuerza sobre la sierra, déjela hacer el trabajo.
6. Vuelva a levantar suavemente el asa y apague la máquina soltando el interruptor.

Realización de un corte de bisel (Fig. L, M)

Siga los siguientes pasos para realizar un corte angular en el borde de la madera:

1. Ajuste el ángulo de inglete en 0° y el ángulo de bisel en la posición que desee.
2. Desplace la guía ajustable a la posición exterior, alejándola de la hoja. La distancia máxima entre la guía ajustable (35) y la hoja de la sierra (6) es de 8 mm, como se muestra en la figura M. Compruebe que la guía no toque la hoja.
3. Sujete firmemente la pieza de trabajo. Compruebe que la abrazadera de la pieza de trabajo esté a la derecha.
4. Encienda la máquina. Compruebe que la hoja de la sierra haya alcanzado la velocidad máxima.
5. Ahora baje lentamente el asa para que la hoja de la sierra corte la pieza de trabajo y pase a través de la ranura de la mesa. No ejercite demasiada fuerza sobre la sierra, déjela hacer el trabajo.

6. Vuelva a levantar suavemente el asa y apague la máquina soltando el interruptor.

Realización de un corte compuesto (Fig. M, N)

Siga los siguientes pasos para hacer un corte combinado de inglete y de bisel:

1. Ajuste el ángulo de inglete y el ángulo de bisel en la posición que desee.
2. Desplace la guía ajustable a la posición exterior, alejándola de la hoja. La distancia máxima entre la guía ajustable (35) y la hoja de la sierra (6) es de 8 mm, como se muestra en la figura M. Compruebe que la guía no toque la hoja.
3. Sujete firmemente la pieza de trabajo. Compruebe que la abrazadera de la pieza de trabajo esté a la derecha.
4. Encienda la máquina. Compruebe que la hoja de la sierra haya alcanzado la velocidad máxima.
5. Ahora baje lentamente el asa para que la hoja de la sierra corte la pieza de trabajo y pase a través de la ranura de la mesa. No ejercite demasiada fuerza sobre la sierra, déjela hacer el trabajo.
6. Vuelva a levantar suavemente el asa y apague la máquina soltando el interruptor.

Uso de la función de deslizamiento

Para piezas de trabajo extremadamente anchas, la máquina está equipada con una función de deslizamiento. Cuando vaya a usar la función de deslizamiento, afloje el perno de bloqueo de las barras deslizantes (29). Tire del asa (2) hacia fuera de la guía (9) hasta que la hoja de la sierra quede delante de la pieza de trabajo. Guíe lentamente el brazo de la herramienta hacia abajo usando el asa y después empuje el asa (2) hacia la guía (9) y corte la pieza de trabajo avanzando en modo uniforme. En caso de piezas de trabajo pequeñas, se puede ajustar la función de deslizamiento en la posición trasera de la sierra con el perno de bloqueo de las barras deslizantes (29). Si desea un mayor ancho de corte, debe aflojar el perno de bloqueo de las barras deslizantes (29).

Uso del tope de longitud (Fig. O)

El tope de longitud (8) de las extensiones de la mesa izquierda y derecha (10) puede utilizarse para cortar con facilidad piezas de trabajo de la misma longitud.

1. Desplace el tope de longitud (8) hacia arriba.
2. Afloje el perno de bloqueo de la mesa de extensión (34).

3. Ajuste la mesa de extensión (10) en la longitud que desee.
4. Apriete el perno de bloqueo de la mesa de extensión (34).

Ajuste del tope de profundidad (Fig. P)

El tope de profundidad puede ajustarse para limitar la profundidad de corte. Este tope puede utilizarse para hacer fácilmente una ranura. Para hacerlo, deberá:

1. Aflojar la tuerca moleteada de ajuste de profundidad (45).
2. Ajustar la perilla de ajuste de profundidad (24) a la profundidad que desee.
3. Apretar la tuerca moleteada de ajuste de profundidad (45).

Encender y apagar el láser (Fig. B)

Pulse el interruptor del láser (46) para encender o apagar el láser. El interruptor del láser (46) también enciende la luz de trabajo de LED.

Ajuste fino



Antes de realizar cualquier ajuste, desconecte el enchufe de la red eléctrica.

Para asegurar cortes precisos, debe comprobar y ajustar los ajustes básicos de la sierra antes del primer uso y también después de un uso intensivo. Para ello se requieren herramientas especiales adecuadas. El servicio de postventa de Vonroc le ayudará a realizar este trabajo en modo rápido y fiable.

Ajuste fino del láser (Fig. Q)

Nota: Para comprobar el funcionamiento del láser, la batería debe estar colocada en la herramienta eléctrica.



Cuando ajuste el láser (p. ej., cuando mueva el brazo de la herramienta), nunca active el interruptor de encendido/apagado. El arranque accidental de la herramienta eléctrica puede causar lesiones.

Si el láser (18) deja de indicar la línea de corte correcta, tiene que reajustar el láser. Para hacerlo, deberá:

1. Afloje los tornillos de ajuste del láser (48) y ajustar el láser moviéndolo hasta que el haz del láser "toque" los dientes de la hoja de la sierra (6).
2. Apriete los tornillos de ajuste del láser (48).

Ajuste fino del ángulo de bisel de 0° (Fig. R, S)

1. Ajuste el ángulo de inglete y el ángulo de bisel en 0°.
2. Baje el asa (2) y fíjela con la perilla de bloqueo de posición (38).
3. Bloquee el movimiento de deslizamiento con el perno de bloqueo de las barras deslizantes (29).
4. Ajuste un goniómetro a 90° y colóquelo sobre la mesa (11), como se muestra en la figura S. La pata del goniómetro debe estar a nivel con la hoja de la sierra (6) a lo largo de toda su longitud.
5. Afloje la tuerca de bloqueo del ángulo de bisel en 0° (50).
6. Ajuste el perno de tope de ángulo de bisel a 0°(32) hasta que la pata del goniómetro esté a nivel con la hoja de la sierra a lo largo de toda su longitud.
7. Vuelva a apretar la tuerca de bloqueo de ángulo de bisel en 0° (50).

Después compruebe la posición del indicador de ángulo (19). Si es necesario, afloje el puntero con un destornillador Philips, colóquelo en la posición 0° de la escala de ángulo de bisel (20) y vuelva a apretar el tornillo de sujeción.

Ajuste fino del ángulo de bisel en 45° (Fig. R, T)

1. Ajuste el ángulo de inglete y el ángulo de bisel en 45°.
2. Baje el asa (2) y fíjela con la perilla de bloqueo de posición (38).
3. Bloquee el movimiento de deslizamiento con el perno de bloqueo de las barras deslizantes (29).
4. Ajuste un goniómetro a 90° y colóquelo sobre la mesa (11), como se muestra en la figura T. La pata del goniómetro debe estar a nivel con la hoja de la sierra (6) a lo largo de toda su longitud.
5. Afloje la tuerca de bloqueo del ángulo de bisel en 45° (49).
6. Ajuste el perno de tope de ángulo de bisel a 45°(31) hasta que la pata del goniómetro esté a nivel con la hoja de la sierra a lo largo de toda su longitud.
7. Vuelva a apretar la tuerca de bloqueo de ángulo de bisel en 45° (49).

Después compruebe la posición del indicador de ángulo. (19). Si es necesario, afloje el puntero con un destornillador Philips, colóquelo en la posición de 45° de la escala de ángulo de bisel (20) y vuelva a apretar el tornillo de sujeción.

Ajuste fino del ángulo de inglete a 0° (Fig. U, V)

1. Coloque un goniómetro a 0° en la mesa (11), entre la guía (9) y la hoja de la sierra (6).
2. La pata del goniómetro debe estar a nivel con la hoja de la sierra (6) en toda su longitud.
3. Afloje los pernos de seguridad de la guía ajustable (35) y, después, los pernos de seguridad de la guía ajustable (36).
4. Extraiga las guías ajustables izquierda y derecha (7), dejando expuestos los pernos de la guía (51).
5. Afloje los cuatro pernos de la guía (51) y ajuste la guía (9) hasta que la pata del goniómetro esté a nivel con la hoja de la sierra a lo largo de toda su longitud.
6. Vuelva a apretar los cuatro pernos de la guía (51). Después compruebe la posición del indicador de ángulo (17). Si es necesario, afloje el puntero con un destornillador Philips, colóquelo en la posición 0° de la escala de ángulo de inglete (16) y vuelva a apretar el tornillo de sujeción.
7. Monte las guías ajustables izquierda y derecha (7).
8. Apriete los pernos de seguridad de la guía ajustable (35) y, después, los pernos de seguridad de la guía ajustable (36).

5. MANTENIMIENTO

Antes de realizar la limpieza y el mantenimiento, apague siempre la máquina y extraiga el paquete de baterías de la máquina.

Limpie regularmente la carcasa de la máquina con un paño suave, preferentemente después de cada uso. Compruebe que los orificios de ventilación estén libres de polvo y suciedad. Elimine el polvo persistente utilizando un paño suave humedecido con agua y jabón. No use disolventes tales como gasolina, alcohol, amoníaco, etc. Tales productos químicos pueden dañar los componentes sintéticos.

Limpieza de los protectores de seguridad

Antes de utilizar la máquina, compruebe siempre que no haya residuos en el protector de seguridad (4) ni en el protector de seguridad retráctil (5). Elimine el aserrín y las astillas viejas con un cepillo o una herramienta similar.

Sustitución del inserto de la mesa

Sustituya inmediatamente los insertos de la mesa cuando estén dañados.

Si el inserto de la mesa (13) está dañado, existe el riesgo de que las piezas pequeñas se metan entre el inserto de la mesa y la hoja de la sierra, bloqueando la hoja de la sierra. Para sustituir el inserto de la mesa:

1. Extraiga los tornillos del inserto de la mesa con un destornillador de tornillos Philips. Si es necesario, ajuste el ángulo de inglete y de bisel para poder acceder a estos tornillos.
2. Extraiga el inserto de la mesa.
3. Instale un nuevo inserto de mesa.
4. Apriete los tornillos con un destornillador de tornillos Philips.

Barras deslizantes

La suciedad puede dañar las barras deslizantes (25) y con ello el funcionamiento de la máquina.

- Limpie periódicamente las barras deslizantes con un paño suave.
- Eche unas gotas de aceite lubricante sobre las barras deslizantes.
- Mueva la sierra de inglete hacia delante y hacia atrás para que el aceite se extienda por todas las barras.

MEDIOAMBIENTE

Los aparatos eléctricos o electrónicos defectuosos y/o desechados deben recogerse en lugares de reciclado apropiado.

Solo para países de la Comunidad Europea

No elimine las herramientas eléctricas como residuos domésticos. De acuerdo con la Directiva europea 2012/19/CE sobre residuos de aparatos eléctricos y electrónicos, y su transposición a las legislaciones nacionales, las herramientas eléctricas que ya no se utilizan deben recogerse por separado y eliminarse en modo ecológico.

CONDICIONES DE GARANTÍA

Los productos VONROC han sido desarrollados con los más altos estándares de calidad y VONROC garantiza que están exentos de defectos relacionados con los materiales y la fabricación durante

el periodo legalmente estipulado, a contar desde la fecha de compra original. En caso de que el producto presente defectos relacionados con los materiales y/o la fabricación durante este periodo, póngase directamente en contacto VONROC.

La presente garantía se excluye en los siguientes casos:

- Si centros de servicios no autorizados han realizado o han intentado realizar reparaciones y/o alteraciones a la máquina.
- Si se ha producido un desgaste normal.
- Si la herramienta ha sido mal tratada o usada en modo impropio, o se ha realizado incorrectamente su mantenimiento.
- Si se han utilizado piezas de repuesto no originales.

La presente constituye la única garantía implícita y explícita que ofrece la compañía. No existen otras garantías explícitas o implícitas que excedan las citadas aquí, incluidas las garantías implícitas de comerciabilidad e idoneidad para una finalidad en especial. VONROC no será considerada responsable en ningún caso por daños incidentales o consecuentes. Los recursos a disposición de los distribuidores se limitan a la reparación o a la sustitución de las unidades o piezas no conformes.

El producto y el manual de usuario están sujetos a variaciones. Las especificaciones pueden variarse sin previo aviso.

1. ISTRUZIONI DI SICUREZZA

Leggere le avvertenze di sicurezza contenute nel presente manuale, le avvertenze di sicurezza aggiuntive e le istruzioni. La mancata osservanza delle avvertenze e istruzioni di sicurezza può dar luogo a scossa elettrica, incendio e/o lesioni gravi. Conservare le avvertenze di sicurezza e le istruzioni per riferimenti futuri.

I simboli riportati di seguito vengono utilizzati all'interno del manuale per l'utente oppure sono indicati sul prodotto:



Leggere il manuale per l'utente.



Denota il rischio di lesioni personali, morte o danni all'utensile in caso di mancata osservanza delle istruzioni contenute nel presente manuale.



Rischio di scossa elettrica.



Tenere i presenti a debita distanza.



Indossare una maschera antipolvere.



Indossare dispositivi di protezioni per l'udito.



Indossare dispositivi di protezioni per gli occhi.



Attenzione: Radiazione laser. Non fissare il raggio laser di Classe 2.



Tenere le mani a debita distanza dall'area di taglio mentre l'elettrotensile è in funzione. Il contatto con la lama della troncatrice può provocare lesioni personali.



Area di pericolo! Tenere le mani, le dita o le braccia lontano da quest'area.



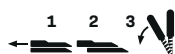
Trasportare l'elettrotensile solo quando si trova in posizione di trasporto con la lama rivolta verso l'interno.



Apparecchio di Classe II - Doppio isolamento
- Non è necessario il collegamento a terra.



Il prodotto è conforme alle norme di sicurezza vigenti ai sensi delle direttive europee.



Il guidapezzo regolabile deve essere tirato verso l'esterno quando si eseguono tagli obliqui o inclinati.



Tenere in considerazione le dimensioni della lama. Il diametro del foro deve corrispondere al mandrino dell'utensile senza gioco. In caso di necessità di riduttori fare in modo che le dimensioni del riduttore siano adatte per lo spessore del mandrino di base e il diametro della lama nonché per il diametro del mandrino dell'utensile. Utilizzare se possibile i riduttori in dotazione con la lama. Il diametro della lama deve corrispondere alle informazioni riportate sul simbolo.

REGOLE GENERALI DI SICUREZZA



ATTENZIONE! Leggere tutte le avvertenze di sicurezza, le istruzioni, le illustrazioni e le specifiche tecniche fornite insieme a questo elettroutensile. La mancata osservanza delle istruzioni seguenti può dar luogo a una scossa elettrica, un incendio e/o lesioni personali gravi.

Conservare queste istruzioni.

Il termine "arnese elettrico" in tutti gli avvertimenti sotto elencati si riferisce al vostro arnese elettrico che funziona a corrente (con filo) o ad un arnese che funziona a pile (senza filo).

1) Area di lavoro

- Mantenere l'area di lavoro pulita e ben illuminata. Aree buie e disordinate favoriscono gli incidenti.
- Non usare arnesi elettrici in atmosfere esplosive, come vicino ai liquidi infiammabili, gas o polveri. Gli arnesi elettrici creano scintille che

possono incendiare la polvere dei vapori.

- Tenere lontani bambini e altre persone mentre si accende l'arnese elettrico. Le distrazioni possono farvi perdere il controllo.

2) Sicurezza elettrica

- Le spine dell'arnese elettrico devono andare bene per la presa di corrente. Non modificare mai la spina in alcun modo. Non usare alcun adattatore con arnesi elettrici a terra (messo a terra). Spine non modificate che vanno bene per le prese di corrente ridurranno il rischio di shock elettrico.
- Evitare il contatto corporeo con superfici a terra come tubature, radiatori, fornelli e refrigeratori. C'è un rischio maggiore di shock elettrico se il vostro corpo è a terra.
- Non esporre arnesi elettrici alla pioggia o a condizioni di umidità. Se dell'acqua penetra nell'arnese elettrico aumenterà il rischio di shock elettrico.
- Non abusare del filo. Non usare mai il filo per trasportare, spingere o staccare dalla presa l'arnese elettrico. Tenere il filo lontano da calore, olio, bordi taglienti o parti mobili. Fili danneggiati o aggrovigliati aumentano il rischio di shock elettrico.
- Quando si accende un arnese elettrico all'aperto, usare una prolunga adatta a tale uso. Usare un filo adatto all'uso all'aperto ridurrà il rischio di shock elettrico.
- Se non è possibile evitare l'uso di un elettroutensile in ambiente umido, usare una rete di alimentazione protetta da un interruttore differenziale (salvavita). L'uso di un salvavita riduce il rischio di scosse elettriche.

3) Sicurezza personale

- Stare vigili e attento quando si accende un arnese elettrico. Non usare un arnese elettrico mentre si è stanco o sotto l'effetto di droghe, alcool o medicinali. Un momento di disattenzione mentre si accendono arnesi elettrici può causare delle gravi lesioni personali.
- Usare dispositivi di protezione individuale. Indossare sempre una protezione per gli occhi. Dispositivi di sicurezza come mascherina per la polvere, scarpe di sicurezza antiscivolo, casco, o protezioni per le orecchie usate nelle appropriate condizioni, ridurranno le lesioni personali.
- Prevenire l'avvio accidentale. Assicurarsi che l'interruttore sia spento prima di collegarsi.

- Trasportare elettroutensili tenendo il dito sull'interruttore di accensione o dare corrente ad elettroutensili con l'interruttore acceso può dare luogo a incidenti.
- d) **Rimuovere ogni chiave regolatrice o chiave per dadi prima di accendere l'arnese elettrico.** Una chiave per dadi o una chiave lasciata attaccata ad una parte rotante dell'arnese elettrico può provocare lesioni personali.
- e) **Cercare di mantenere l'equilibrio. Mantenere sempre un punto d'appoggio appropriato.** Questo consente un controllo migliore dell'arnese elettrico in situazioni inaspettate.
- f) **Vestirsi adeguatamente. Non indossare vestiti larghi o gioielli. Tenere lontano capelli, vestiti dalle parti mobili.** Vestiti larghi, gioielli o capelli lunghi possono essere presi nelle parti mobili.
- g) **Se vengono forniti dispositivi per la connessione dell'estrazione della polvere e attrezzature di raccolta, assicurarsi che questi siano collegati e usati correttamente.** L'uso di questi dispositivi può ridurre i rischi correlati alla polvere.
- h) **Non lasciare che la confidenza acquisita dall'uso frequente induca l'utilizzatore ad assumere comportamenti imprudenti e a ignorare i principi di sicurezza per l'utensile.** Una semplice distrazione può provocare gravi lesioni personali in una frazione di secondo.
- 4) Uso e manutenzione dell'arnese elettrico**
- a) **Non forzare l'arnese elettrico. Usare l'arnese elettrico corretto per il vostro impiego.** L'arnese elettrico corretto farà il lavoro meglio e in maniera più sicura alla velocità per la quale è stato progettato.
- b) **Non usare l'arnese elettrico se l'interruttore non si accende o non si spegne.** Ogni arnese elettrico che non può essere controllato con l'interruttore è pericoloso e deve essere riparato.
- c) **Scollegare la spina dalla fonte di alimentazione e/o rimuovere il pacco batteria, se rimovibile, dall'elettroutensile prima di effettuare qualsiasi regolazione, sostituire gli accessori o riporre gli elettroutensili.** Tali misure di sicurezza preventive riducono il rischio di accendere l'arnese elettrico accidentalmente.
- d) **Conservare gli arnesi elettrici inattivi fuori dalla portata dei bambini e non permettere a persone che non hanno confidenza con l'arnese elettrico o con queste istruzioni di usare l'arnese elettrico.** Gli arnesi elettrici sono pericolosi per utenti inesperti.
- e) **Eseguire la manutenzione di elettroutensile e accessori. Controllare il non allineamento o l'attacco di parti mobili, la rottura di parti ed ogni altra condizione che può influire sul funzionamento degli arnesi elettrici. Se è danneggiato, far riparare l'arnese elettrico prima dell'uso.** Molti incidenti sono causati da arnesi elettrici mantenuti male.
- f) **Mantenere gli arnesi da taglio affilati e puliti.** È meno probabile che si attacchino degli arnesi da taglio mantenuti correttamente con tagli affilate e questi sono anche più facili da controllare.
- g) **Usare l'arnese elettrico, gli accessori e le parti dell'arnese ecc, secondo queste istruzioni e nel modo pensato per il particolare tipo di arnese elettrico, tenendo conto delle condizioni di lavoro e del lavoro da svolgere.** L'uso dell'arnese elettrico per operazioni diverse da quelle pensate potrebbe causare situazioni pericolose.
- h) **Mantenere le impugnature e le superfici di presa asciutte, pulite e libere da olio e grasso.** Impugnature e superfici di presa scivolose non consentono di maneggiare e controllare in sicurezza l'utensile in situazioni imprevedute.
- 5) Riparazione**
- a) **L'assistenza per l'elettroutensile deve essere prestata da un tecnico qualificato che utilizzi soltanto ricambi originali.** In questo modo viene garantita la sicurezza dell'elettroutensile.

ISTRUZIONI DI SICUREZZA SPECIFICHE

- **Le troncatrici sono destinate al taglio del legno o di prodotti simili e non possono essere usate con dischi da taglio abrasivi per tagliare materiale ferroso, come barre, aste, perni, ecc.** La polvere abrasiva provoca l'inzeppamento delle parti in movimento, come la protezione inferiore. Le scintille prodotte dal taglio abrasivo bruciano la protezione inferiore, l'insero della lama e le altre parti in plastica.
- **Se possibile, utilizzare dei morsetti per sostenere il pezzo da lavorare. Se il pezzo viene sostenuto con la mano, mantenerla sempre a una distanza di almeno a 100 mm da entrambi i lati della lama. Non utilizzare questa sega per tagliare pezzi troppo piccoli da fissare con il morsetto o da sostenere con le mani.** Se la mano è posizionata troppo vicino alla lama, il rischio di ferirsi è maggiore a causa del contatto con la stessa.

- **Il pezzo da lavorare deve essere fermo e fissato con il morsetto o mantenuto contro il guidapezzo e il banco. Non inserire il pezzo direttamente sotto la lama né eseguire tagli “a mano libera” in alcun modo.** I pezzi da lavorare incontrollati e mobili potrebbero essere lanciati ad alta velocità, causando possibili lesioni.
- **Spingere la troncatrice attraverso il pezzo da lavorare. Non tirare la troncatrice attraverso il pezzo da lavorare. Per eseguire un taglio, sollevare la testa della troncatrice e posizionarla sopra al pezzo in lavorazione senza tagliarlo, avviare il motore, abbassare la testa della troncatrice e spingere la troncatrice attraverso il pezzo in lavorazione.** Se il taglio viene eseguito tirando la troncatrice, la lama potrebbe saltare sulla parte superiore del pezzo da lavorare, scagliando violentemente il gruppo della lama verso l'operatore.
- **Non incrociare mai le mani sulla linea di taglio prevista, né davanti né dietro la lama.** Sostenere il pezzo da lavorare a mani incrociate, ovvero tenere il pezzo sulla destra della lama con la mano sinistra (e viceversa), è estremamente pericoloso.
- **Non mettere le mani dietro il guidapezzo avvicinandosi a più di 100 mm da uno dei due lati della lama, per rimuovere resti di legno o per qualsiasi altro motivo, mentre la lama sta girando.** La vicinanza della lama in rotazione alla mano potrebbe non essere evidente e potrebbero verificarsi lesioni gravi.
- **Ispezionare il pezzo da lavorare prima di tagliarlo. Nel caso in cui il pezzo da lavorare sia piegato o deformato, fissarlo con i morsetti con la parte esterna del lato piegato rivolta verso il guidapezzo. Accertarsi sempre che non vi siano spazi vuoti tra il pezzo da lavorare, il guidapezzo e il banco lungo la linea di taglio.** I pezzi da lavorare piegati o deformati possono distorcersi o spostarsi, provocando un inceppamento della lama in rotazione durante il taglio. Nel pezzo da lavorare non devono essere presenti chiodi o corpi estranei.
- **Non utilizzare la troncatrice fino a quando il banco non è sgombrato da utensili, resti di legno, ecc., eccetto che il pezzo da lavorare.** Nel caso in cui piccoli detriti, pezzi di legno sciolti o altri oggetti entrino in contatto con la lama in movimento potrebbero essere lanciati ad alta velocità.
- **Tagliare solo un pezzo alla volta.** Più pezzi impi-lati non possono essere adeguatamente fissati con un morsetto né sostenuti, con il rischio di rimanendo incastrati alla lama o di spostarsi durante il taglio.
- **Prima dell'uso, assicurarsi che la troncatrice sia installata o posizionata su una superficie di lavoro piana e solida.** Una superficie di lavoro piana e solida riduce il rischio che la troncatrice diventi instabile.
- **Pianificare il lavoro da eseguire. Ogni volta che si modifica l'impostazione dell'angolo di taglio inclinato o di taglio obliquo, assicurarsi che il guidapezzo regolabile sia regolato correttamente per sostenere il pezzo da lavorare, senza interferire con il movimento della lama o con il sistema di protezione.** Senza avviare l'utensile e senza nessun pezzo da lavorare sul banco, fare compiere alla lama della troncatrice un giro completo, simulando il taglio, per accertarsi che non vi sia alcuna interferenza e che non sussista il pericolo di tagliare il guidapezzo.
- **Nel caso in cui il pezzo da lavorare sia più lungo o più largo della superficie del banco della troncatrice, predisporre una superficie di appoggio adeguata, come una prolunga del banco, un cavalletto, ecc.** I pezzi da lavorare più lunghi o più larghi della superficie del banco della troncatrice, non sostenuti in modo sicuro, possono rovesciarsi. Se un pezzo tagliato o il pezzo da lavorare si rovescia, potrebbe sollevare la protezione inferiore oppure essere scagliato via dalla lama in rotazione.
- **Non utilizzare un'altra persona al posto di una prolunga del banco o come sostegno aggiuntivo.** Un sostegno instabile per il pezzo da lavorare può provocare l'inceppamento della lama sul pezzo oppure il pezzo potrebbe spostarsi durante l'operazione di taglio, trascinando l'operatore o l'assistente contro la lama in rotazione.
- **Non bloccare né premere in alcun modo il pezzo tagliato contro la lama in rotazione.** Se confinato, per esempio tramite l'uso dei fincorsa di lunghezza, il pezzo tagliato potrebbe incunearsi contro la lama ed essere scagliato via violentemente.
- **Utilizzare sempre un morsetto o un altro dispositivo di fissaggio per offrire un supporto stabile a parti cilindriche come barre e tubi come barre o tubi.** Poiché le barre tendono a rotolare durante il taglio, la lama potrebbe “addentarle” trascinandole verso di sé, insieme alla mano dell'operatore.
- **Lasciare che la lama raggiunga la piena velocità prima di appoggiarla sul pezzo da lavorare.**

In questo modo si ridurrà il rischio che il pezzo sia scagliato via.

- **In caso di inceppamento del pezzo da lavorare o della lama, spegnere la troncatrice. Attendere l'arresto di tutte le parti in movimento e scollegare la spina dalla presa di corrente e/o rimuovere il pacco batteria. A questo punto liberare il materiale inceppato.** Proseguire con il taglio con un pezzo inceppato potrebbe causare la perdita di controllo o il danneggiamento della troncatrice.
- **Dopo il completamento dell'operazione di taglio, rilasciare l'interruttore, mantenere abbassata la testa della troncatrice e attendere che la lama si arresti prima di rimuovere il pezzo tagliato.** Avvicinarsi con la mano alla lama in movimento è pericoloso.
- **Tenere saldamente l'impugnatura quando si esegue un taglio incompleto oppure quando si rilascia l'interruttore prima che la testa della troncatrice sia completamente abbassata.** L'azione frenante della troncatrice potrebbe provocare l'abbassamento improvviso della sua testa, causando il rischio di lesioni.
- **Tenere pulita l'area di lavoro.** Le miscele di materiale sono particolarmente pericolose. La polvere di metallo leggero può prendere fuoco o esplodere.
- **Non utilizzare lame spuntate, crepate, piegate o danneggiate. Le lame non affilate o non correttamente fissate producono un taglio più stretto, provocando un attrito eccessivo, l'inceppamento della lama e un contraccolpo.**
- **Non utilizzare lame in acciaio (HSS).** Queste lame possono rompersi facilmente.
- **Utilizzare sempre lame con dimensione e forma corrette (diamante rispetto a cerchio) dei fori dell'albero.** Le lame non adatte ai rispettivi pezzi di montaggio avranno una rotazione eccentrica causando la perdita di controllo dell'elettrotensile.
- **Non sostituire il laser integrato con un laser di altro tipo.** Un laser non compatibile con questo elettrotensile potrebbe rappresentare un rischio per le persone.
- **Non rimuovere mai detriti, trucioli di legno, ecc. dall'area di taglio mentre l'elettrotensile è in funzione.** Guidare sempre prima il braccio della macchina in posizione neutra, quindi spegnere l'elettrotensile.
- **Dopo l'uso della troncatrice attendere che la lama si raffreddi prima di toccarla.** La lama della troncatrice si scalda molto durante il lavoro.
- **Non rendere mai irriconoscibili i segnali di avviso sulla macchina.**
- **Se la radiazione laser colpisce un occhio, chiudere gli occhi e allontanare immediatamente la testa dal raggio.**
- **Non utilizzare strumenti ottici, come un binocolo, per guardare la sorgente di radiazione.** L'occhio potrebbe subire danni.
- **Non dirigere il raggio laser verso persone che guardano attraverso un binocolo o strumenti simili.** I loro occhi potrebbero subire danni.
- **Non apportare modifiche all'apparecchiatura laser.** Le opzioni di impostazione descritte in queste istruzioni operative ne assicurano l'utilizzo in sicurezza.
- **Non stare in linea con la lama della troncatrice davanti all'utensile elettrico.** Tenersi sempre a lato della lama. In questo modo il proprio corpo è protetto da eventuali contraccolpi.
- **Tenere le mani, le dita e le braccia lontane dalla lama mentre gira.**
- **Non avvicinare una mano all'altra quando ci si trova davanti al braccio dell'utensile.**
- **Evitare che i denti della lama si surriscaldino. Se la lama della troncatrice si surriscalda, arrestare l'elettrotensile.** Lasciare raffreddare la lama della troncatrice prima di utilizzare nuovamente la macchina.
- **Sostituire immediatamente le lame danneggiate o usurate.**
- **Usare solo lame, le cui caratteristiche coincidano con quelle riportate nel manuale d'uso e che sono state testate e contrassegnate conformemente alla norma EN 847-1.**
- **Quando si devono segare pezzi curvi o tondi, questi devono essere fissati in modo specifico contro lo slittamento. Nella linea di taglio, non ci dovrebbe essere spazio tra il pezzo in lavorazione, il guida pezzo e il banco della sega.** Se necessario, si dovranno fabbricare dispositivi speciali.

Sicurezza elettrica



Controllare sempre che la tensione di alimentazione corrisponda alla tensione indicata sulla targhetta delle caratteristiche.

- Se il cavo di alimentazione di questo utensile elettrico è danneggiato, deve essere sostituito con un cavo di alimentazione appositamente preparato disponibile tramite l'organizzazione di assistenza.
- Utilizzare esclusivamente cavi di prolunga idonei per la potenza nominale dell'elettro utensile, con conduttori di sezione minima di 1,5 mm². Quando si utilizza un cavo di prolunga con avvolgicavo, svolgere sempre completamente il cavo.

2. INFORMAZIONI RELATIVE ALL'ELETTROUTENSILE

Uso previsto

Questo elettro utensile è concepito come macchina fissa per l'esecuzione di tagli longitudinali e trasversali nel legno, lungovena o in senso opposto. È possibile eseguire tagli obliqui con angoli di taglio da -45° a +45° e tagli inclinati con angoli da -0° a + 45°. L'elettro utensile con la lama montata è stato progettato con una capacità sufficiente per segare legno duro e tenero, oltre che truciolato e pannelli in fibra di legno. La lama non è progettata per tagliare legna da ardere. Non utilizzare la troncatrice per tagliare materiali diversi da quelli specificati, descritti nel manuale.

DATI TECNICI

N° modello	MS504AC
Tensione	220-240V~
Frequenza	50 Hz
Potenza assorbita	1800W S1 - 2200W S6 40%*
Velocità a vuoto	5200 giri/min
Angoli di taglio obliquo	-45° <> +45°
Angoli di taglio inclinato	-45° <> 0° a sinistra, taglio inclinato singolo
Specifiche della lama:	
Diametro	
Spessore della lama di base	Ø 216 mm 1,6 mm
Larghezza del taglio	2,8 mm
Diametro di alesaggio	Ø 30 mm
Numero di denti	40T

Capacità lama (altezza x larghezza):	
Taglio obliquo 0° - Taglio inclinato 0°	65 x 300 mm
Taglio obliquo 0° - Taglio inclinato 45°	38 x 300 mm
Taglio obliquo 45° - Taglio inclinato 0°	65 x 200 mm
Taglio obliquo 45° - Taglio inclinato 45°	38 x 200 mm
Dimensioni minime del pezzo	3 x 10 mm
Specifiche del laser:	
Classe	2
Lunghezza d'onda	650 nm
Uscita	< 1 mW
Weight	14 kg
Lpa (Livello di pressione sonora)	98 dB(A) KpA: 3 dB(A)
Lwa (Livello di potenza sonora)	111 dB(A) KWA: 3 dB(A)

- * S6, servizio periodico di funzionamento continuo. Cicli di lavoro identici con un periodo sottoposto a carico seguito da un periodo a vuoto. Tempo di esecuzione 10 minuti; il ciclo di lavoro è pari al 40% del tempo di funzionamento.

DESCRIZIONE

I numeri che compaiono nel testo si riferiscono agli schemi riportati alle pagine 2-7.

1. Pulsante di sblocco
2. Impugnatura
3. Interruttore di accensione/spostamento
4. Protezione
5. Protezione retraibile
6. Lama
7. Guidapezzo regolabile
8. Finecorsa di lunghezza
9. Guidapezzo
10. Prolunga del banco
11. Banco
12. Fori di fissaggio
13. Tavola di taglio
14. Manopola per regolazione angolo di taglio obliquo
15. Leva per regolazione angolo di taglio obliquo
16. Scala graduata per angolo di taglio obliquo
17. Indicatore per angolo di taglio obliquo
18. Laser
19. Indicatore per angolo di taglio inclinato
20. Scala graduata per angolo di taglio inclinato

21. Morsa di bloccaggio del pezzo in lavorazione
22. Manopola per regolazione angolo di taglio inclinato
23. Rullo
24. Vite di regolazione profondità
25. Guide di scorrimento
26. Sacchetto raccogli-polvere
27. Maniglia di trasporto
28. Presa di aspirazione polveri
29. Bullone di fissaggio guide di scorrimento
30. Braccio per taglio obliquo
31. Vite di arresto per angolo di taglio inclinato a 45°
32. Vite di arresto per angolo di taglio inclinato a 0°
33. Bullone di bloccaggio morsetto del pezzo
34. Bullone di bloccaggio prolunga del banco
35. Bullone di bloccaggio guida pezzo regolabile
36. Bullone di sicurezza guida pezzo regolabile
37. Protezione anti-ribaltamento anteriore
38. Manopola di bloccaggio della posizione
39. Manopola braccio per taglio obliquo
40. Bullone di fissaggio
41. Flangia di bloccaggio
42. Vite di bloccaggio
43. Blocco fuso
44. Manopola del morsetto del pezzo
45. Dado zigrinato per regolazione profondità
46. Luce di lavoro a LED
47. Bullone braccio per taglio obliquo
48. Viti di regolazione laser
49. Controdado per angolo di taglio inclinato a 45°
50. Controdado per angolo di taglio inclinato a 0°
51. Bulloni del guida pezzo
52. Supporto braccio per taglio obliquo

3. Spostare lentamente l'impugnatura (2) verso l'alto.

Bloccaggio nella posizione di trasporto (posizione di trasporto)

Prima di bloccare la macchina in posizione di trasporto, accertarsi che la vite di regolazione della profondità (24) sia regolato su una profondità illimitata. In questo modo, l'impugnatura (2) può essere abbassata completamente senza toccare l'arresto di profondità. Inoltre, rimuovere tutti gli accessori che non possono essere fissati in modo sicuro sulla macchina.

1. Allentare il bullone di bloccaggio delle guide di scorrimento (29), se è serrato.
2. Tirare l'impugnatura (2) in avanti verso di sé e stringere il bullone di bloccaggio delle guide di scorrimento (29);
3. Spingere giù completamente l'impugnatura (2).
4. Bloccare la manopola di bloccaggio della posizione (38) tirandola e successivamente ruotandola.
5. Avvolgere il cavo di alimentazione e legarlo insieme con la fascetta in dotazione.

Dopo aver bloccato la posizione di trasporto, utilizzare la maniglia di trasporto (27) per sollevare e trasportare in sicurezza la macchina.



Per trasportare l'elettro utensile utilizzare solo la maniglia di trasporto e non tenerlo mai dalle protezioni.

3. MONTAGGIO



Prima di eseguire qualsiasi lavoro sulla macchina, scollegare la spina dalla presa di corrente.

Posizione di trasporto (Figg. B e C)

La manopola di blocco della posizione (38) facilita lo spostamento dell'elettro utensile quando lo si trasporta nei vari luoghi di lavoro.

Sbloccaggio della posizione di trasporto (posizione di lavoro)

1. Premere leggermente l'impugnatura (2) verso il basso.
2. Tirare la manopola di bloccaggio (38) completamente verso l'esterno e bloccarla in posizione ruotandola.

Montaggio del braccio per taglio obliquo (Figg. D, Y)

La parte anteriore della superficie del tavolo, in seguito denominata braccio per taglio obliquo (30), può essere rimossa per eseguire tagli con dimensioni esterne ancora più ridotte di quanto si possa già fare con la troncatrice compatta. Per montare il braccio per taglio obliquo, procedere come descritto di seguito:

1. Sbloccare la posizione di trasporto (posizione di lavoro);
2. Allentare la manopola di regolazione dell'angolo di taglio obliquo (14);
3. Ruotare il piano (11) verso destra o verso sinistra, nella posizione corrispondente a 0°. L'angolo può essere letto sulla scala per angolo di taglio obliquo (16) mediante l'indicatore dell'angolo di taglio obliquo (17);

4. Con una mano tirare e trattenere la manopola del braccio per taglio obliquo (39), come illustrato nella Figura D1;
5. Con l'altra mano inserire il braccio per taglio obliquo (30) sul tavolo (11), come illustrato nella Figura D2, tirando al contempo la leva per la regolazione dell'angolo di taglio obliquo (15). Accertarsi che le estremità a forma di triangolo rovesciato del braccio obliquo (30) si inseriscano correttamente nelle tacche di forma identica della tavola (11);
6. A questo punto, rilasciare la manopola del braccio per taglio obliquo (39) e la leva per la regolazione dell'angolo di taglio obliquo (15);
7. Fissare il braccio per il taglio obliquo (30) stringendo il bullone di fissaggio del braccio per il taglio obliquo (47) come mostrato nella Figura D-3.

Nota: mentre è smontato, il braccio obliquo (30) può essere riposto nel supporto per braccio obliquo (52), come illustrato nella Figura Y.

Installazione di una macchina stazionaria

(Figg. A, B e D)

Per garantire una manipolazione sicura, l'elettrotensile deve essere fissato su una superficie di lavoro piana e stabile (ad esempio, un banco di lavoro) prima dell'uso. È possibile installare la macchina in due modi:

1. Su un banco di lavoro

In questo caso deve essere fissata al banco di lavoro con delle viti di fissaggio idonee. Per fare questo utilizzare i quattro fori (12), come illustrato nella Fig. D.

2. Su un telaio di supporto



Leggere tutte le avvertenze e le istruzioni incluse con il cavalletto per troncatrice. L'inosservanza delle avvertenze e delle istruzioni seguenti può causare scossa elettrica, incendi e/o gravi lesioni personali.



Assemblare correttamente il cavalletto prima di montare l'elettrotensile. Il corretto assemblaggio è importante per prevenire il rischio di collasso.

In questo caso la macchina deve essere fissata al telaio di supporto con dei bulloni. Per fare questo utilizzare i quattro fori (12). Il telaio di supporto deve essere ancorato con 4 bulloni alla piastra a pavimento con dimensioni di almeno 1 metro quadrato. Montare l'utensile elettrico sul cavalletto di supporto in posizione di trasporto.

3. Installazione flessibile



Questo tipo di installazione non è raccomandato dal produttore.

Se, in circostanze eccezionali, non fosse possibile fissare l'elettrotensile su una superficie di lavoro piana e stabile, è possibile improvvisare installandolo con la protezione anti-ribaltamento.



Senza la protezione anti-ribaltamento, l'utensile non sarà stabile e può ribaltarsi soprattutto quando si eseguono tagli obliqui o inclinati con l'angolo massimo di inclinazione e / o angolo di inclinazione.

- La protezione antiribaltamento posteriore è fissata alla base della macchina e non può essere regolata.
- Ruotare la protezione anti-ribaltamento in avanti (37) verso l'interno o l'esterno, come illustrato nella Figura F, finché l'elettrotensile non sarà posizionato in piano sulla superficie di lavoro.

Controllo della protezione (Fig. A)


La protezione retraibile (5) protegge da contatti accidentali con la lama e da schegge di legno che volano in giro. Prima dell'uso, verificare se la protezione della lama funziona correttamente. Per farlo tirare la maniglia (2) verso il basso e verificare quanto segue:


- La protezione retraibile (5) deve consentire l'accesso alla lama della sega (6) senza entrare in contatto con altre parti.
- Quando la testa di taglio viene ribaltata verso l'alto nella posizione di partenza, la protezione retraibile (5) deve coprire l'intera lama (6) automaticamente.


Sostituzione della lama (Fig G)



Prima di eseguire qualsiasi lavoro sulla macchina, scollegare la spina dalla presa di corrente.

 Per installare la lama indossare guanti di protezione. Pericolo di lesioni personali in caso di contatto con la lama.

 Utilizzare esclusivamente lame che corrispondano alle caratteristiche riportate nelle istruzioni per l'uso. Utilizzare esclusivamente lame sulle quali è marcata una velocità uguale o maggiore alla velocità marcata sulla troncatrice.


 Non usare in nessun caso dei dischi abrasivi come dispositivo di taglio.


Prima di sostituire la lama, si consiglia vivamente di impostare l'angolo di taglio obliquo e l'angolo di taglio inclinato su 0°. In caso contrario, l'accesso potrebbe essere limitato.

Rimozione della lama

1. Bloccare la testa della troncatrice in posizione alzata con la manopola di bloccaggio della posizione (38).
2. Allentare il bullone di fissaggio (40) usando un cacciavite croce, come illustrato nella Figura G1. AVVERTENZA! Non rimuovere completamente il bullone di fissaggio (40), ma allentarlo solamente.
3. Piegarlo verso l'alto la protezione retraibile (5) fino a quando il bullone di bloccaggio (42) sarà accessibile liberamente, come illustrato nella figura G2.
4. Inserire la chiave esagonale nel bullone di bloccaggio (42). La protezione retraibile (5) può essere rilasciata. Si piegherà sulla chiave esagonale.
5. Ruotare il bullone di bloccaggio (42) con la chiave esagonale (34) e contemporaneamente premere il blocco del mandrino (43) finché non si innesta.
6. Afferrare saldamente il blocco del mandrino (43) e allentare il bullone di bloccaggio (42) ruotandolo in senso orario (filettatura sinistra).
7. Rimuovere le vite di bloccaggio (42) e la flangia di bloccaggio (41). Successivamente, la lama (6) potrà essere rimossa.


Installazione della lama


 Durante il montaggio della lama, assicurarsi che la direzione di taglio dei denti (direzione della freccia sulla lama) corrisponda alla direzione della freccia riportata sulla protezione (4).

 Durante il montaggio della lama (6), verificare che essa ruoti liberamente nella tavola di taglio (13) in entrambe le impostazioni dell'angolo, a 0° e 45°.

1. Pulire la lama e tutte le parti di bloccaggio da assemblare.
2. Allentare il bullone di fissaggio (40) usando un cacciavite croce, come illustrato nella Figura G1. AVVERTENZA! Non rimuovere completamente il bullone di fissaggio (40), ma allentarlo solamente.
3. Piegarlo verso l'alto la protezione retraibile (5) fino a quando il bullone di bloccaggio (42) sarà accessibile liberamente, come illustrato nella figura G2.
4. Inserire la chiave esagonale nel bullone di bloccaggio (42). La protezione retraibile (5) può essere rilasciata. Si piegherà sulla chiave esagonale.
5. Montare la flangia di bloccaggio (41). Assicurarsi che i lati piatti della flangia di bloccaggio corrispondano ai lati piatti dell'albero della lama. Assicurarsi inoltre che il lato convesso della flangia di bloccaggio sia montato all'esterno.
6. Inserire il bullone di bloccaggio (42) e ruotarlo con la chiave esagonale premendo contemporaneamente il blocco del mandrino (43), finché non si innesta.
7. Tenere saldamente il blocco del mandrino (43) e serrare il bullone di bloccaggio (42) ruotandolo in senso antiorario.

Aspirazione delle polveri (Figg. A, B, W e X)

 Fornire una buona ventilazione sul posto di lavoro.

 Indossare dispositivi di protezione per l'udito.

La polvere di materiali come la vernice al piombo e alcuni tipi di legno può essere dannosa per la salute. L'inalazione di questa polvere può causare

reazioni allergiche e/o causare malattie respiratorie per l'utilizzatore o le persone che si trovano nelle immediate vicinanze. Alcuni tipi di polveri, come quella proveniente dal legno di quercia o di faggio, sono classificati come cancerogeni, in special modo se combinati con additivi chimici per il trattamento del legno (prodotti per la preservazione del legno a base di cromo). Si consiglia vivamente di utilizzare un sistema di aspirazione delle polveri adatto al materiale, laddove possibile.



Evitare che si accumuli polvere nel luogo di lavoro. La polvere può facilmente incendiarsi.

Il sistema di aspirazione delle polveri può essere ostruito da polvere, schegge o frammenti di pezzi in lavorazione. Pertanto, deve essere pulito regolarmente. Procedere come descritto di seguito:

1. Staccare la spina dalla presa di corrente.
2. Attendere fino al completo arresto della lama.
3. Rimuovere le eventuali ostruzioni, se necessario

Montaggio del sacchetto raccogli-polvere (Fig. W)

Premere il morsetto del sacchetto raccogli-polvere (26) e farlo scorrere sulla presa di aspirazione polveri (28) sul retro della macchina. Il sacchetto raccogli-polvere rimane in posizione quando si rilascia il morsetto.

Collegamento di un dispositivo di aspirazione delle polveri (Fig. X)



Il dispositivo di aspirazione delle polveri deve essere adatto al materiale del pezzo in lavorazione.



Durante l'aspirazione di polvere secca particolarmente dannosa per la salute o cancerogena, utilizzare un dispositivo di aspirazione delle polveri specifico.

Il tubo di un dispositivo di aspirazione può essere collegato alla presa di aspirazione (28). Per farlo, collegare semplicemente il tubo di aspirazione al connettore del dispositivo di aspirazione della polvere.

4. FUNZIONAMENTO



Prima di accendere la macchina, controllare sempre che la lama sia montata correttamente. La lama deve girare in modo uniforme.



Controllare sempre le protezioni prima dell'uso.



Per tutti i tagli, assicurarsi prima che la lama non venga mai a contatto con il guidapezzo, il morsetto di bloccaggio del pezzo o altre parti della macchina. Rimuovere eventuali dispositivi di arresto ausiliari montati o regolarli di conseguenza.

Sostegno dei pezzi in lavorazione (Fig. H)

I pezzi da tagliare devono essere sempre sostenuti correttamente. Le prolunghie del banco (10) possono essere allungate a destra e a sinistra per sostenere un pezzo. Procedere come descritto di seguito:

1. Allentare il bullone di fissaggio della prolunga del banco (34).
2. Spostare la prolunga del banco (10) nella posizione desiderata.
3. Stringere il bullone di fissaggio della prolunga del banco (34).

Quando si tagliano pezzi extra lunghi, sotto l'estremità libera di tali pezzi deve essere posto un appoggio aggiuntivo oppure essere sostenuta.

Bloccaggio del pezzo in lavorazione (Fig. H)

I pezzi in lavorazione devono essere sempre ben serrati. Il morsetto di bloccaggio del pezzo in lavorazione (21) può essere posizionato sia a destra che a sinistra per sostenere il pezzo. Procedere come descritto di seguito:

1. Assicurarsi che il pezzo sia premuto saldamente contro il guidapezzo (9).
2. Inserire il morsetto di bloccaggio del pezzo in lavorazione (21) in dotazione in uno dei fori previsti per questo scopo, come illustrato nella Figura H.
3. Regolare l'asta filettata del morsetto di bloccaggio (21) all'altezza del pezzo da tagliare.
4. Stringere saldamente l'asta filettata del morsetto di bloccaggio (21) per fissare il pezzo in posizione. Per allentarla, svitare semplicemente l'asta filettata del morsetto di bloccaggio (21).

La manopola del morsetto di bloccaggio (44) può essere utilizzata per regolare più rapidamente l'altezza del morsetto stesso (21). Dopo aver regolato l'altezza, stringere sempre saldamente l'asta filettata del morsetto di bloccaggio (21) per fissare in posizione il pezzo in lavorazione.

Regolazione del guidapezzo (Fig. H)



Regolare sempre il guidapezzo in base al tipo di taglio specifico.

Quando vengono eseguiti angoli obliqui e / o inclinati è necessario spostare il guidapezzo regolabile (7) in base alla direzione del taglio. In questo modo, il pezzo in lavorazione è sempre adeguatamente sostenuto dal guidapezzo in ogni condizione. Procedere come descritto di seguito:

1. Allentare il bullone di fissaggio del guidapezzo regolabile (35).
2. Regolare il guidapezzo in base al taglio desiderato. Per tagli obliqui o diritti il guidapezzo deve essere spostato verso la lama (max 8 mm) senza toccarla. Per tagli inclinati il guidapezzo deve essere spostato verso l'esterno, nella direzione opposta alla lama (max 8 mm) senza toccarla.
3. Stringere il bullone di fissaggio del guidapezzo regolabile (35).
4. Per garantire che la lama non entri in contatto con il guidapezzo regolabile (35), si consiglia di eseguire una prova del movimento della lama, senza accendere la macchina.

Regolazione dell'angolo di taglio obliquo (Fig. A)

L'angolo di taglio obliquo può essere regolato tra 45° a sinistra e 45° a destra. Per una regolazione rapida e precisa degli angoli di taglio usati comunemente sul piano del banco sega sono disponibili degli indicatori prestabiliti in corrispondenza degli angoli 0°, 15°, 22,5°, 30° e 45°.

Regolazione dell'angolo di taglio obliquo a un valore prestabilito

1. Allentare la manopola di regolazione dell'angolo di taglio obliquo (14);
2. Tirare la leva di regolazione dell'angolo di taglio obliquo (15) e ruotare il piano del banco sega (11) verso sinistra o destra fino al valore preimpostato desiderato. L'angolo può essere letto sulla scala per angolo di taglio obliquo (16) mediante l'indicatore dell'angolo di taglio obliquo (17).
3. Rilasciare la leva. La leva deve essere percepita per innestarsi nel fermo del valore preimpostato.
4. Stringere la manopola di regolazione dell'angolo di taglio obliquo (14).

Regolazione dell'angolo di taglio obliquo su qualsiasi angolo richiesto

1. Allentare la manopola di regolazione dell'angolo di taglio obliquo (14);
2. Tirare la leva di regolazione dell'angolo di taglio obliquo (15) e ruotare il piano del banco sega (11) verso sinistra o destra fino alla posizione desiderata. L'angolo può essere letto sulla scala per angolo di taglio obliquo (16) mediante l'indicatore dell'angolo di taglio obliquo (17).
3. Rilasciare la leva e stringere la manopola di regolazione dell'angolo di taglio obliquo (14).

Regolazione dell'angolo di taglio inclinato (Fig. A e B)

L'angolo di taglio inclinato può essere impostato tra 0° e + 45° a sinistra. Procedere come descritto di seguito:

1. Allentare la manopola di regolazione dell'angolo di taglio inclinato (22);
2. Inclinare la testa della troncatrice usando l'impugnatura (2) finché l'indicatore (19) legge la posizione desiderata sulla scala per l'angolo di taglio inclinato (20).
3. Serrare la manopola di regolazione dell'angolo di taglio inclinato (22);

Accensione e spegnimento della macchina (Fig. A)

- Per avviare la macchina, tenere premuto il pulsante di sblocco (1) per sbloccare la protezione, quindi premere l'interruttore di accensione/spegnimento (3).
- Per arrestare la macchina rilasciare l'interruttore di accensione/spegnimento (3).

Esecuzione di un taglio trasversale (Fig. I e J)

Seguire questi passaggi per eseguire un taglio perpendicolare alla vena del legno.

1. Regolare l'angolo di taglio obliquo e l'angolo di taglio inclinato su 0°.
2. Spostare il guidapezzo regolabile nella posizione interna, verso la lama. La distanza massima tra il guidapezzo regolabile (35) e la lama (6) è di 8 mm, come mostrato nella Figura J. Assicurarsi che il guidapezzo non tocchi la lama.
3. Bloccare saldamente il pezzo in lavorazione.
4. Accendere la macchina. Assicurarsi che la lama abbia raggiunto la massima velocità.
5. A questo punto spingere lentamente l'impugnatura verso il basso in modo che la lama tagli attraverso il pezzo in lavorazione e passi attraverso

so la scanalatura nel piano del banco sega. Non esercitare molta pressione sulla testa di taglio. Lasciare che l'elettrotensile svolga il lavoro.

6. Sollevare delicatamente l'impugnatura e spegnere la macchina, rilasciando l'interruttore.

Esecuzione di un taglio obliquo (Figg. J e K)

Seguire i passaggi elencati sotto per eseguire un taglio in angolo rispetto alla superficie del legno.

1. Regolare l'angolo di taglio obliquo nella posizione desiderato e l'angolo di taglio inclinato su 0°.
2. Spostare il guidapezzo regolabile nella posizione interna, verso la lama. La distanza massima tra il guidapezzo regolabile (35) e la lama (6) è di 8 mm, come mostrato nella Figura J. Assicurarsi che il guidapezzo non tocchi la lama.
3. Bloccare saldamente il pezzo in lavorazione.
4. Accendere la macchina. Assicurarsi che la lama abbia raggiunto la massima velocità.
5. A questo punto spingere lentamente l'impugnatura verso il basso in modo che la lama tagli attraverso il pezzo in lavorazione e passi attraverso la scanalatura nel piano del banco sega. Non esercitare molta pressione sulla testa di taglio. Lasciare che l'elettrotensile svolga il lavoro.
6. Sollevare delicatamente l'impugnatura e spegnere la macchina, rilasciando l'interruttore.

Esecuzione di un taglio inclinato (Figg. L e M)

Seguire i passaggi elencati sotto per eseguire un taglio in angolo rispetto al bordo del legno.

1. Regolare l'angolo di taglio obliquo su 0° e l'angolo di taglio inclinato sulla posizione desiderata.
2. Spostare il guidapezzo regolabile in posizione esterna, lontano dalla lama. La distanza massima tra il guidapezzo regolabile (35) e la lama (6) è di 8 mm, come mostrato nella Figura M. Assicurarsi che il guidapezzo non tocchi la lama.
3. Bloccare saldamente il pezzo in lavorazione. Assicurarsi che il morsetto di bloccaggio del pezzo in lavorazione sia posizionato sul lato destro.
4. Accendere la macchina. Assicurarsi che la lama abbia raggiunto la massima velocità.
5. A questo punto spingere lentamente l'impugnatura verso il basso in modo che la lama tagli attraverso il pezzo in lavorazione e passi attraverso la scanalatura nel piano del banco sega. Non esercitare molta pressione sulla testa di taglio. Lasciare che l'elettrotensile svolga il lavoro.
6. Sollevare delicatamente l'impugnatura e spegnere la macchina, rilasciando l'interruttore.

Esecuzione di un taglio composto (Figg. M e N)

Seguire i passaggi elencati sotto per creare un taglio composto da un taglio obliquo e da un taglio inclinato.

1. Regolare l'angolo di taglio obliquo e l'angolo di taglio inclinato sulla posizione desiderata.
2. Spostare il guidapezzo regolabile in posizione esterna, lontano dalla lama. La distanza massima tra il guidapezzo regolabile (35) e la lama (6) è di 8 mm, come mostrato nella Figura M. Assicurarsi che il guidapezzo non tocchi la lama.
3. Bloccare saldamente il pezzo in lavorazione. Assicurarsi che il morsetto di bloccaggio del pezzo in lavorazione sia posizionato sul lato destro.
4. Accendere la macchina. Assicurarsi che la lama abbia raggiunto la massima velocità.
5. A questo punto spingere lentamente l'impugnatura verso il basso in modo che la lama tagli attraverso il pezzo in lavorazione e passi attraverso la scanalatura nel piano del banco sega. Non esercitare molta pressione sulla testa di taglio. Lasciare che l'elettrotensile svolga il lavoro.
6. Sollevare delicatamente l'impugnatura e spegnere la macchina, rilasciando l'interruttore.

Uso della funzione di scorrimento

Per pezzi extra larghi, la macchina è dotata di una funzione di scorrimento. Quando si utilizza la funzione di scorrimento, assicurarsi di allentare il bullone di bloccaggio delle guide di scorrimento (29). Allontanare l'impugnatura (2) lontano dal guidapezzo (9), finché la lama si trova davanti al pezzo in lavorazione. Guidare lentamente il braccio dell'utensile verso il basso con l'impugnatura, quindi spingere l'impugnatura (2) verso il guidapezzo (9) ed effettuare il taglio attraverso il pezzo con avanzamento uniforme.

Per pezzi di piccole dimensioni, è possibile bloccare lo scorrimento nella posizione posteriore della lama con il bullone di bloccaggio delle guide di scorrimento (29). Se si desidera una maggiore larghezza di taglio, è necessario allentare il bullone di bloccaggio delle guide di scorrimento (29).

Utilizzo del finecorsa di lunghezza (Fig. O)

Il finecorsa di lunghezza (8) su entrambe le prolunghie del banco a sinistra e destra (10) può essere utilizzato per tagliare facilmente i pezzi alla stessa lunghezza.

1. Spostare il finecorsa di lunghezza (8) verso l'alto.
2. Allentare il bullone di fissaggio della prolunga del banco (34).

3. Regolare la prolunga del banco (10) alla lunghezza desiderata.
4. Stringere il bullone di fissaggio della prolunga del banco (34).

Regolazione dell'arresto di profondità (Fig. P)

L'arresto di profondità può essere regolato, per limitare la profondità di taglio. Questo dispositivo può essere usato per tagliare facilmente una scanalatura. Procedere come descritto di seguito:

1. Allentare il dado zigrinato per la regolazione della profondità (45);
2. Regolare la manopola di regolazione della profondità (24) alla profondità desiderata;
3. Stringere il dado zigrinato per la regolazione della profondità (45).

Accensione e spegnimento del laser (Fig. B)

Premere l'interruttore del laser (46) per accendere/spengere il laser. L'interruttore del laser (46) accende anche la luce di lavoro a LED.

Regolazione fine



Prima di qualsiasi intervento di regolazione, scollegare la spina dalla presa di corrente.

Per garantire tagli precisi, le impostazioni di base della troncatrice devono essere controllate e regolate prima del primo utilizzo e dopo un uso intenso. A tale scopo sono necessari strumenti speciali adatti. Il servizio post-vendita Vonroc aiuterà a gestire questo lavoro in modo rapido e affidabile.

Regolazione fine del laser (Fig. Q)

Nota: per testare la funzione laser è necessario che l'elettrotensile sia collegato alla presa di corrente.

Durante la regolazione del laser (ad esempio, quando viene spostato il braccio dell'utensile), non attivare mai l'interruttore di accensione/spegnimento. L'avvio accidentale dell'elettrotensile può provocare lesioni personali.

Se il laser (18) cessa di indicare la linea di taglio corretta è possibile ripetere la regolazione. Procedere come descritto di seguito:

1. Allentare le viti di regolazione del laser (48) e posizionare il laser spostandolo finché il laser non colpisce i denti della lama (6);

2. Serrare a fondo le viti di regolazione del laser (48).

Messa a punto dell'angolo di taglio a 0° (Figg. R e S)

1. Regolare l'angolo di taglio obliquo e l'angolo di taglio inclinato su 0°.
2. Abbassare l'impugnatura (2) e fissarla con la manopola di bloccaggio della posizione (38).
3. Bloccare il movimento di scorrimento utilizzando il bullone di bloccaggio di guide di scorrimento (29).
4. Impostare il calibro per angoli su 90° e posizionarlo banco (11), come mostrato nella figura S. La gamba del calibro per angoli deve essere a filo con la lama (6) per tutta la sua lunghezza.
5. Allentare il controdado per l'angolo di taglio inclinato a 0° (50).
6. Regolare le viti di arresto per l'angolo di taglio inclinato a 0° (32) finché la gamba del calibro per angoli non sarà a filo con la lama per tutta la sua lunghezza;
7. Stringere nuovamente il controdado per l'angolo di taglio inclinato a 0° (50).

Successivamente controllare la posizione dell'indicatore dell'angolo (19). Se necessario, allentare il puntatore con un cacciavite a stella, spostarlo sulla posizione 0° sulla scala graduata per l'angolo di taglio inclinato (20) e serrare nuovamente la vite di fissaggio.

Regolazione fine dell'angolo di taglio inclinato di 45° (Figg. R e T)

1. Regolare l'angolo di taglio obliquo e l'angolo di taglio inclinato su 45°.
2. Abbassare l'impugnatura (2) e fissarla con la manopola di bloccaggio della posizione (38).
3. Bloccare il movimento di scorrimento utilizzando il bullone di bloccaggio di guide di scorrimento (29).
4. Impostare un calibro per angoli su 90° e posizionarlo sul banco (11), come illustrato nella figura T. La gamba del calibro per angoli deve essere a filo con la lama (6) per tutta la sua lunghezza.
5. Allentare il controdado per l'angolo di taglio inclinato a 45° (49).
6. Regolare le viti di arresto per l'angolo di taglio inclinato a 45° (31) finché la gamba del calibro per angoli non sarà a filo con la lama per tutta la sua lunghezza;
7. Stringere nuovamente il controdado per l'angolo di taglio inclinato a 45° (49).

Successivamente controllare la posizione dell'indicatore dell'angolo (19). Se necessario, allentare il puntatore con un cacciavite a stella, spostarlo sulla posizione 45° sulla scala graduata per l'angolo di taglio inclinato (20) e serrare nuovamente la vite di fissaggio.

Regolazione fine dell'angolo di taglio obliquo a 0° (Figg. U e V)

1. Regolare un calibro per angoli su 0° sul banco (11) e posizionarlo tra il guidapezzo (9) e la lama (6);
2. La gamba del calibro per angoli deve essere a filo con la lama (6) per tutta la sua lunghezza;
3. Allentare i bulloni di fissaggio del guidapezzo regolabile (35), dopodiché allentare i bulloni di sicurezza del guidapezzo regolabile (36).
4. Rimuovere i due guidapezzo, quello di destra e quello di sinistra (7), scoprendo i bulloni di fissaggio guidapezzo (51).
5. Allentare tutti e quattro i bulloni di fissaggio guidapezzo (51) e regolare il guidapezzo (9) finché la gamba del calibro per angoli sarà a filo con la lama della troncatrice per tutta la sua lunghezza;
6. Stringere di nuovo tutti e quattro i bulloni di fissaggio del guidapezzo (51). Successivamente controllare la posizione dell'indicatore dell'angolo (17). Se necessario, allentare il puntatore con un cacciavite a stella, posizionarlo su 0° sulla scala graduata per angolo di taglio obliquo (16) e serrare nuovamente la vite di fissaggio.
7. Fissare i due guidapezzi, quello di destra e quello di sinistra (7).
8. Stringere i bulloni di fissaggio del guidapezzo regolabile (35), dopodiché stringere i bulloni di sicurezza del guidapezzo regolabile (36).

5. MANUTENZIONE



Prima di eseguire qualsiasi operazione di pulizia e intervento di manutenzione spegnere sempre l'elettrotensile e rimuovere la batteria dall'elettrotensile.

Pulire regolarmente il corpo dell'elettrotensile con un panno morbido, preferibilmente dopo ogni uso. Assicurarsi che le prese d'aria siano libere da polvere e sporcizia. Rimuovere lo sporco particolarmente ostinato con un panno morbido inumidito con acqua e sapone. Non utilizzare solventi come benzina,

alcol, ammoniaca, ecc. Le sostanze chimiche di questo tipo danneggiano i componenti sintetici.

Pulizia delle protezioni

Prima di utilizzare la macchina, controllare sempre che non vi siano detriti sulla protezione (4) e sulla protezione retraibile (5). Rimuovere la vecchia segatura e le schegge con un pennello o uno strumento simile.

Sostituzione dell'inserito del banco



Sostituire immediatamente gli inserti del banco danneggiati.

Con un inserto del banco danneggiato (13) vi è il rischio che piccole parti si incastrino tra l'inserto del banco e la lama, bloccando quest'ultima. Per sostituire l'inserto del banco:

1. Rimuovere le viti dell'inserto del banco con un cacciavite a stella. Se necessario, regolare l'angolo di taglio obliquo e l'angolo di taglio inclinato per accedere a queste viti.
2. Rimuovere l'inserto del banco.
3. Installare un inserto del banco nuovo.
4. Stringere le viti con un cacciavite a stella.

Guide di scorrimento

La sporcizia può danneggiare le guide di scorrimento (25) e di conseguenza il funzionamento della macchina.

- Pulire regolarmente le guide di scorrimento con un panno morbido.
- Fare cadere qualche goccia di olio lubrificante sulle guide di scorrimento.
- Spostare la troncatrice avanti e indietro in modo che l'olio si distribuisca sulle guide per tutta la lunghezza.

RISPETTO AMBIENTALE



Se si prevede che la macchina non verrà usata per molto tempo si consiglia di conservare le batterie cariche.

Solo per i Paesi CE

Non smaltire gli elettrotensili insieme ai rifiuti domestici. Secondo la Direttiva europea 2012/19/ EC sui rifiuti delle apparecchiature elettriche ed elettroniche e relativa implementazione nelle normative locali, gli elettrotensili ormai inutilizzabili devono essere raccolti separatamente e smaltiti in modo ecologico.

DEFINIZIONI DELLA GARANZIA

I prodotti VONROC sono sviluppati secondo i più elevati standard di qualità e viene garantita l'assenza di difetti nei materiali e nella manodopera per il periodo contrattuale a partire dalla data di acquisto originale. Qualora il prodotto dovesse subire un guasto qualsiasi durante questo periodo a causa di difetti nei materiali e/o nella manodopera, si prega di contattare direttamente il VONROC.

Le seguenti circostanze sono escluse da questa garanzia:

- Riparazioni e/o modifiche alla macchina sono state eseguite o tentate da centri di assistenza non autorizzati.
- Normale usura.
- L'utensile è stato abusato, utilizzato o mantenuto in modo improprio.
- Sono state utilizzate parti di ricambio non originali.

Ciò costituisce l'unica garanzia espressa o implicita fornita dall'azienda. Non esistono altre garanzie espresse o implicite che si estendono oltre il presente documento, ivi comprese le garanzie implicite di commerciabilità e idoneità per uno scopo particolare. In nessun caso VONROC sarà responsabile di eventuali danni incidentali o consequenziali. I rimedi dei rivenditori saranno limitati alla riparazione o sostituzione di unità o parti non conformi.

Il prodotto e il manuale per l'utente sono soggetti a modifiche. I dati tecnici possono essere modificati senza ulteriore notifica.

1. SÄKERHETSANVISNINGAR

Läs de medföljande säkerhetsvarningarna, de kompletterande säkerhetsvarningarna och anvisningarna. Underlåtenhet att följa säkerhetsvarningarna och anvisningarna kan orsaka elstöt, brand och/eller allvarlig skada. Spara säkerhetsvarningarna och anvisningarna som framtida bruk.

Följande symboler används i användarhandboken eller på produkten:



Läs användarhandboken.



Anger risk för personskada, dödsfall eller skada på verktyget om anvisningarna i denna handbok inte följs.



Risk för elstöt.



Håll åskådare borta.



Använd en dammask.



Använd hörselskydd.



Använd skyddsglasögon.



Notera: Laserstrålning. Titta inte in i strålklass 2-laser.



Håll händerna borta från skärområdet medan elverktyget körs. Kontakt med sågbladet kan leda till personsador.



Riskområde! Håll händer, fingrar eller armar borta från detta område.



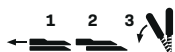
Transportera endast maskinen när den är i aktivt transportläge.



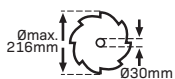
Klass II-maskin - dubbelisolering - Du behöver ingen jordad kontakt.



Produkten uppfyller gällande säkerhetsnormer i EU-direktiven.



Det justerbara anslaget måste dras utåt vid sågning av gering-/fasningsvinklar.



Observera måtten på sågbladet. Håldiametern måste matcha verktygsspindelns utan spel. Om det är nödvändigt att använda reducerare, se till att dimensionerna på reduceraren är lämpliga för basbladets tjocklek och sågbladets diameter, såväl som verktygsspindelns diameter. Använd så långt det är möjligt reducerare som medföljer sågbladet. Sågbladets diameter måste matcha den information som anges på symbolen.

ALLMÄNNA SÄKERHETSFORESKRIFTER FÖR ELVERKTYG



VARNING! Läs alla säkerhetsvarningar, anvisningar, illustrationer och specifikationer som medföljer detta elverktyg.

Underlåtenhet att följa alla anvisningar som anges nedan kan resultera i elstöt, brand och/eller allvarlig skada.

Spara alla varningar och instruktioner för framtida referens.

Uttrycket "elverktyg" i varningarna avser ditt nätanslutna (med sladd) verktyg eller batteridrivna (sladdlösa) elektriska verktyg.

1) Arbetsplats säkerhet

- Håll arbetsplatsen ren och välbelyst. Belamrade eller mörka områden inbjuder till olyckor.
- Använd inte elektriska verktyg i explosiva atmosfärer, såsom i närvaro av lättantändliga vätskor, gaser eller damm. Elverktyg skapar gnistor som kan antända damm eller ångor.
- Håll barn och åskådare borta medan du arbetar med ett elverktyg. Om du blir distraherad kan du tappa kontrollen.

2) Elsäkerhet

- Verktygets elkontakt måste passa till vägguttaget. Ändra inte kontakten på något sätt. Använd inte adapterkontakter med jordade elverktyg.

Omodifierade kontakter och matchande uttag minskar risken för elektrisk stöt.

- Undvik kroppskontakt med jordade ytor såsom rör, värmeelement, spisar och kylskåp. Det finns en ökad risk för elektrisk stöt om din kropp är jordansluten eller jordad.
- Utsätt inte elektriska verktyg för regn eller väta. Vatten som tränger in i ett elverktyg ökar risken för elstöt.
- Hantera inte elkabeln felaktigt. Använd aldrig sladden för att bära, dra eller koppla bort elverktyget från uttaget. Håll sladden borta från värme, olja, vassa kanter eller rörliga delar. Skadade eller tilltrasslade sladdar ökar risken för elektrisk stöt.
- När du arbetar med ett elverktyg utomhus, använd en förlängningssladd som passar för utomhusanvändning. Användning av en sladd som passar för utomhusanvändning minskar risken för elektrisk stöt.
- Om arbete med ett elverktyg i en fuktig lokal är oundvikligt, använd ett uttag som är skyddat med jordfelsbrytare (RCD). Användning av RCD minskar risken för elstöt.

3) Personlig säkerhet

- Var uppmärksam, kontrollera vad du gör och använd sunt förnuft när du arbetar med ett elektriskt verktyg. Använd inte ett elverktyg när du är trött eller påverkad av droger, alkohol eller mediciner. Ett ögonblicks uppmärksamhet under arbetet kan resultera i allvarliga personskador.
- Använd personlig skyddsutrustning. Bär alltid ögonskydd. Skyddsutrustning såsom dammfilterskydd, halksäkra säkerhetsskor, skyddshjälm eller hörselskydd som används för lämpliga förhållanden minskar personskador.
- Förebygg oavsiktlig igångsättning. Se till att strömbrytaren är i avstängd position innan anslutning till strömkällan och/eller batteriet, verktyget lyfts upp eller bärs. Om du bär elverktyg med ditt finger på strömbrytaren eller ansluter ett påkopplat elverktyg till nätströmmen kan en olycka inträffa.
- Avlägsna eventuell justeringsnyckel eller skiftnyckel innan du sätter på elverktyget. En skiftnyckel eller en nyckel som sitter kvar på en roterande del av verktyget kan resultera i personskada.
- Böj dig inte för långt. Bibehåll alltid ordentlig fotfäste och balans. Detta möjliggör bättre kontroll av elverktyget i oväntade situationer.

- f) **Bär lämpliga kläder. Använd inte vida kläder eller smycken. Håll hår och kläder borta från delar i rörelse.** Lösa kläder, smycken eller långt hår kan fastna i rörliga delar.
- g) **Om enheten är försedd med anslutning av dammsug och uppsamlingsmöjlighet, se till att dessa är anslutna och används korrekt.** Dammupptagning minskar dammrelaterade risker.
- h) **Låt inte erfarenheten som uppnås vid frekvent användning av verktyg låta dig bli för självsäker och ignorera verktygssäkerhetsprinciperna.** En oförsiktig handling kan orsaka allvarliga skador under bråkdelen av en sekund.
- 4) Användning och skötsel av elverktyg**
- a) **Tvinga inte elverktyget. Använd rätt slags elektriska verktyg för ditt arbete.** Rätt elverktyg gör arbetet bättre och säkrare vid den hastighet som det har konstruerats för.
- b) **Använd inte elverktyget om strömbrytaren inte sätter på och stänger av det.** Ett elverktyg som inte kan kontrolleras med strömbrytaren är farligt och måste repareras.
- c) **Dra ur kontakten från strömkällan och/eller ta bort batteriet från elverktyget innan du gör några justeringar, byter tillbehör eller lägger undan elverktygen för förvaring.** Sådana förebyggande säkerhetsåtgärder minskar risken att oavsiktligt starta elverktyget.
- d) **Förvara elverktyg oåtkomliga för barn och låt inte personer som är obekanta med verktyget eller dessa instruktioner använda verktyget.** Elektriska verktyg är farliga i händerna på oerfarna användare.
- e) **Underhåll elverktyg och tillbehör. Kontrollera för feljustering eller om rörliga delar har fastnat, bristning hos delar och andra eventuella förhållanden som kan komma att påverka elverktygets funktion. Om det är skadat, se till att elverktyget blir reparerat före användning.** Många olyckor orsakas av dåligt underhållna elektriska verktyg.
- f) **Håll kapverktyg vassa och rena.** Korrekt underhållna kapverktyg med vassa kanter är mindre troliga att kärva och lättare att kontrollera.
- g) **Använd elverktyget, dess tillbehör och verktyg i enlighet med dessa instruktioner och under beaktande av arbetsförhållandena och det arbete som ska utföras.** Användning av elverktyget för andra uppgifter än vad som avsetts kan resultera i farliga situationer.
- h) **Se till att handtagen är torra, rena och fria från olja och fett.** Hala handtag och grepppytor tillåter inte säker hantering och kontroll av verktyget i oväntade situationer.
- 5) Service**
- a) **Se till att ditt elverktyg får service av en kvalificerad reparatör, som endast använder identiska ersättningsdelar.** Detta säkerställer att elverktygets säkerhet upprätthålls.

SÄRSKILDA SÄKERHETSANVISNINGAR

- **Geringssågar är avsedda att såga trä och träliknande produkter, den kan inte användas med slipande kapskivor för sågning av metallhaltiga material såsom stänger, stag, stolpar etc.** Slipdamm gör att rörliga delar, såsom det nedre skyddet, fastnar. Gnistor från slipande kapningar kommer att bränna det nedre skyddet, spåninsatsen och andra platsdelar.
- **Använd klämmor för att stödja arbetsstycket när det är möjligt. Om du stöder arbetsstycket för hand måste du alltid hålla handen minst 100 mm från sågklingans sida. Använd inte denna såg för att skära bitar som är för små för att kunna säkras fast eller hållas för hand.** Om din hand är placerad för nära sågklingan, finns det en ökad risk för skador på grund av klingkontakt.
- **Arbetsstycket måste vara stilla och fastklämt eller hållas mot både anslaget och bordet. Mata inte arbetsstycket in mot klingan eller såga "på fri hand" på något sätt.** Arbetsstycken som inte satts fast eller är rörliga kan slungas i väg i höga hastigheter och orsaka skador.
- **Tryck sågen genom arbetsstycket. Dra inte sågen genom arbetsstycket. För att göra en kapning, lyft upp såghuvudet och dra ut det över arbetsstycket utan att såga, starta motorn, tryck ned såghuvudet och skjut sågen genom arbetsstycket.** Att såga i dragslaget kommer sannolikt att få sågklingan att klättra ovanpå arbetsstycket och kasta bladet våldsamt mot operatören.
- **Korsa aldrig din hand över den avsedda sågningen varken framför eller bakom sågklingan.** Att stödja arbetsstycket "korshands", dvs att hålla arbetsstycket till höger om sågklingan med din vänstra hand eller vice versa är mycket farligt.
- **Sträck inte bakom anslaget med någon hand närmare än 100 mm från ena sidan av sågbladet för att ta bort trärester eller av någon annan anledning medan bladet roterar.** Närheten av

den snurrande sågklingan till din hand kanske inte observeras och du kan bli allvarligt skadad.

- **Inspektera ditt arbetsstycke innan du sågar. Om arbetsstycket är böjt eller lutat, kläm fast det med den yttre böjda sidan mot anslaget. Se alltid till att det inte finns något mellanrum mellan arbetsstycket, anslaget och bordet längs snittlinjen.** Böjda eller snedställda arbetsstycken kan vridas eller förskjutas och kan orsaka bindning på den snurrande sågklingan under sågning. Det får inte finnas spikar eller främmande föremål i arbetsstycket.
- **Använd inte sågen förrän bordet är rensat från alla verktyg, trärester m.m. utom arbetsstycket.** Små skräpdelar eller lösa träbitar eller andra föremål som kommer i kontakt med den roterande klingan kan kastas iväg med hög hastighet.
- **Såga endast ett arbetsstycke i taget.** Staplade flera arbetsstycken kan inte korrekt klämmas fast eller bygglas och kan göra att klingan kärvar eller förflyttas under sågningen.
- **Se till att geringsågen är monterad eller placerad på en plan och fast arbetsyta innan användning.** En plan och fast arbetsyta minskar risken för att geringsågen blir ostadig.
- **Planera ditt arbete. Varje gång du ändrar inställningen för fasnings- eller geringsvinkeln, se till att det justerbara anslaget är korrekt inställt för att stödja arbetsstycket och inte kommer att störa klingan eller skyddssystemet.** Utan att slå på verktyget och utan arbetsstycke på bordet, flytta sågklingan genom en komplett simulerad sågning för att garantera att det inte finns några hinder eller risker för att såga i anslaget.
- **Tillhandahåll lämpligt stöd såsom bordsförlängning, sågbocker etc. för ett arbetsstycke som är bredare eller längre än bordsskivan.** Arbetsstycken längre eller bredare än geringsågbordet kan tippa om de inte stöds säkert. Om det avskurna stycket eller arbetsstycket tippar, kan det lyfta det undre skyddet eller kastas av det snurrande bladet.
- **Använd inte en annan person som ett substitut för bordsförlängning eller som ytterligare stöd.** Instabil stöd för arbetsstycket kan få bladet att binda eller arbetsstycket att förskjutas under sågningen och dra dig och din medarbetare in i sågklingan.
- **Det avsågade stycket får inte fastna eller på något sätt pressas mot den roterande sågklingan.** Om det är begränsat, dvs med längdstopp, kan det avskurna stycket fastna mot bladet och kastas iväg våldsamt.
- **Använd alltid en klämma eller tving som är designad att korrekt stödja material såsom stänger eller rörledning.** Stänger har en tendens att rulla medan de sågas och gör att klingan biter fast och drar arbetet med dina händer in i klingan.
- **Låt bladet nå full hastighet innan du för in arbetsstycket.** Detta kommer att minska risken för att arbetsstycket kastas iväg.
- **Om arbetsstycket eller bladet fastnar, stänger du av geringsågen. Vänta tills alla rörliga delar stoppar och koppla ur kontakten från strömkämlan och/eller ta ut batteriet. Arbeta sedan för att frigöra det fastnade materialet.** Att fortsätta att såga med ett fastklämt arbetsstycke kan göra att kontrollen förloras eller att geringsågen skadas.
- **Efter att ha sågat klart, släpp strömbrytaren, håll ner såghuvudet och vänta på att klingan ska stoppa innan du tar bort det avskurna stycket.** Det är farligt att sträcka in handen nära det rörliga bladet.
- **Håll i handtaget ordentligt när du gör ett ofullständigt snitt eller när du släpper brytaren innan såghuvudet är helt i det nedre läget.** Sågens bromsverkan kan få såghuvudet att plötsligt dra nedåt, vilket medför risk för skada.
- **Håll ditt arbetsområde rent.** Materialblandningar är särskilt farliga. Lättmetalldamm kan ta eld eller explodera.
- **Använd aldrig slöa, knäckta, böjda eller skadade sågklingor. Slöa eller felaktigt inställda sågklingor åstadkommer smala sågspår vilket ger stark friktion och får klingan att fastna.**
- **Använd inte sågklingor tillverkade av höghastighetsstål (HSS).** Sådana sågklingor kan lätt gå sönder.
- **Använd alltid sågklingor av rätt storlek och med rätt form på monteringshålet (diamantformade resp. runda).** Sågklingor som inte matchar monteringshårdvaran på sågen kommer att gå excentriskt och orsaka förlust av kontroll.
- **Byt inte ut den integrerade lasern mot en laser av annan typ.** En laser som inte är kompatibel med detta elverktyg kan utgöra en risk för personer.
- **Ta aldrig bort sågrester, spån etc. från skärområdet medan elverktyget körs.** Styr alltid tillbaka verktygsarmen till neutralläge först och stäng sedan av elverktyget.

- Rör inte sågklingan efter arbetet förrän den har svalnat. Sågklingan blir mycket varm under arbetet.
- Låt aldrig varningsskyltarna på maskinen bli oigenkännliga.
- Om laserstrålning träffar ditt öga måste du stänga ögonen och omedelbart vända huvudet från strålen.
- Använd inga optiska instrument som kikare för att se strålkällan. Om du gör det kan du skada ögat.
- Rikta inte laserstrålen mot personer som tittar genom kikare eller liknande instrument. Om du gör det kan de skada ögonen.
- Gör inga modifieringar på laserutrustningen. De inställningsalternativ som beskrivs i denna bruksanvisning kan användas säkert.
- Stå inte i linje med sågklingan framför elverktyget. Stå alltid vid sidan av sågklingan. Detta skyddar din kropp mot eventuella kast.
- Håll händer, fingrar och armar borta från den roterande sågklingan.
- Sträck inte ut den ena handen över den andra framför verktygsarmen.
- Undvik överhettning av sågtänderna. Stoppa maskinen när sågklingan överhettas. Låt sågklingan svalna innan du använder maskinen igen.
- Byt skadade eller slitna sågklingor omedelbart.
- Använd endast sågklingor som överensstämmer med specifikationerna i denna bruksanvisning och som har testats och märkts i enlighet med EN 847-1.
- Vid sågning av böjda eller runda arbetsstycken måste dessa vara särskilt säkrade mot att glida. Vid snittlinjen bör det inte finnas något mellanrum mellan arbetsstycket, anslaget och sågbordet. Om det behövs måste du tillverka speciella armaturer.

Elsäkerhet



Kontrollera alltid så att spänningen på nätet motsvarar den spänning som finns angiven på märkplåten.

- Om strömsladden är skadad måste den bytas ut mot en speciellt preparerad strömsladd som finns att få genom serviceorganisationen.
- Använd endast förlängningskablar som är lämpliga för maskinens effekt med en minsta tjocklek på 1,5 mm². Om du använder en kabelvinda, rulla alltid ut kabeln helt.

2. MASKININFORMATION

Avsedd användning

Verktyget är avsett som en stationär maskin för att göra raka längsgående och tvärgående skär i trä med och mot fiberriktningen. Det är möjligt att såga geringsvinklar på -45° till +45° och fasningsvinklar på -0° till +45°. Elverktyget med det monterade sågbladet är utformat med tillräcklig kapacitet för sågning av lövträ och barrved samt spånskivor och träfiberskivor. Sågbladet är inte utformat för att hugga ved. Använd inte sågen för att såga andra material än de som anges i bruksanvisningen.

TEKNISKA SPECIFIKATIONER

Modell-nr	MS504AC
Spänning	220-240V~
Frekvens	50Hz
Ineffekt	1800W S1 - 2200W S6 40 %*
Varvtal utan belastning	5200/min
Geringsvinklar	-45° <> +45°
Fasningsvinklar	-45° <> 0° till vänster, enkel fasning
Sågbladspecifikationer:	
Diameter	Ø 216 mm
Basbladets tjocklek	1,6 mm
Bredd på snitt	2,8 mm
Borrdiameter	Ø 30 mm
Antal tänder	40T
Sågkapacitet (höjd x bredd):	
Gering 0° - fasning 0°	65 x 300 mm
Gering 0° - fasning 45°	38 x 300 mm
Gering 45° - fasning 0°	65 x 200 mm
Gering 45° - fasning 45°	38 x 200 mm
Minsta mått på arbetsstycket	3 x 10 mm
Laserspecifikationer:	
Klass	2
Våglängd	650 nm
Effekt	< 1 mW
Vikt	14 kg
Lpa (ljudtrycksnivå)	98 dB(A) KpA: 3 dB(A)
Lwa (ljudeffektnivå)	111 dB(A) KWA: 3 dB(A)

* S6, kontinuerlig drift periodisk drift. Identiska driftcykler med en period vid belastning följt av en period utan belastning. Körtid 10 minuter; driftcykel är 40 % av drifttiden.

BESKRIVNING

Siffrorna i texten hänvisar till diagrammen på sidorna 2-7.

1. Upplåsningsknapp
2. Handtag
3. Strömbrytare
4. Skydd
5. Infällt skydd
6. Sågklinga
7. Justerbart anslag
8. Längdstopp
9. Styrstöd
10. Bordsförlängning
11. Bord
12. Monteringshåll
13. Spårplatta
14. Vred för geringsinställning
15. Spak för geringsinställning
16. Skala för geringsvinkel
17. Indikator för geringsvinkel
18. Laser
19. Indikator för fasningsvinkel
20. Skala för fasningsvinkel
21. Klämma för arbetsstycke
22. Vred för fastningsinställning
23. Rulle
24. Djupjusteringsbult
25. Glidskenor
26. Damppåse
27. Bärhandtag
28. Dammutlopp
29. Låsbult för glidskenor
30. Geringsarm
31. Stoppbult för 45° fasningsvinkel
32. Stoppbult för 0° fasningsvinkel
33. Låsbult för arbetsstycksklämma
34. Låsbult för bordsförlängning
35. Låsbult för justerbart anslag
36. Låsbult för justerbart anslag
37. Främre tiltskydd
38. Låsratt för positionering
39. Vred geringsarm
40. Fästbult
41. Klämfläns
42. Klämbult
43. Spindellås
44. Vred för arbetsstyckets klämma
45. Råfflad mutter för djupjustering
46. LED arbetsbelysning
47. Geringsarmbult

48. Skruvar för laserjustering
49. Låsmutter för 45° fasningsvinkel
50. Låsmutter för 0° fasningsvinkel
51. Anslagsbultar
52. Geringsarmhållare

3. MONTERING



Innan något arbete utförs på maskinen, dra ut stickkontakten ur vägguttaget.

Transportläge (fig. B, C)

Positionslåsringen (38) gör det lättare att flytta elverket när det transporteras till olika arbetsplatser.

Låsa upp transportläget (arbetsläge)

1. Tryck handtaget (2) något nedåt;
2. Dra positionslåsringen (38) helt utåt och lås den på plats genom att vrida den;
3. Flytta långsamt handtaget (2) uppåt.

Låsa transportläget (transportläge)

Innan du låser i transportläge, se till att djupjusteringsbulten (24) är inställd på obegränsat djup. På detta sätt kan handtaget (2) flyttas helt nedåt utan att röra vid djupstoppet. Ta också bort alla tillbehör som inte kan monteras fast ordentligt på maskinen.

1. Lossa låsbulten för glidskenor (29) om den dras åt;
2. Dra handtaget (2) framåt mot dig själv och dra åt låsbulten för glidskenor (29);
3. Tryck handtaget (2) helt nedåt;
4. Lås positionslåsringen (38) genom att först dra i och sedan vrida på den;
5. Linda upp nätkabeln och bind ihop den med den medföljande kabelremmen.

När du har låst transportläget, använd bärhandtaget (27) för att säkert bära och transportera maskinen.



Använd endast bärhandtaget för att transportera maskinen och aldrig skyddet.

Montera geringsarmen (fig. D, Y)

Den främre delen av bordsytan, hädanefter kallad geringsarm (30), kan tas bort för att uppnå ännu mindre yttermått på den redan kompakta geringssågen. Så här monterar du geringsarmen:

1. Lås upp transportläget (arbetsläge);
2. Lossa vredet för geringsjustering (14);

- Vrid bordet (11) åt vänster eller höger till förinställningen 0°. Vinkeln kan avläsas på skalan för geringsvinkel (16) med hjälp av indikatorn för geringsvinkel (17);
- Dra och håll i geringsarmsvredet (39) som visas på figur D1 med en hand;
- För med den andra handen in geringsarmen (30) på bordet (11) som visas på figur D2 samtidigt som du drar i spaken för geringsjustering (15). Se till att de inverterade triangeländarna på geringsarmen (30) passar ordentligt i de identiskt formade skårorna i bordet (11);
- Släpp nu geringsarmsvredet (39) och spaken för geringsjustering (15);
- Säkra geringsarmen (30) genom att dra åt geringsarmens bult (47) enligt figur D-3.

Obs: när geringsarmen (30) är demonterad kan den förvaras i geringsarmshållaren (52), som visas på figur Y.


Installation av en stationär maskin (fig. A, B, D)


För att säkerställa säker hantering måste elverktyget monteras på en plan, stabil arbetsyta (t.ex. arbetsbänk) före användning. Du kan installera maskinen på tre sätt:

1. På en arbetsbänk

I detta fall måste maskinen fästas vid arbetsbänken med lämpliga skruvanslutningar. Använd de fyra hålen (12) för att göra detta. Såsom visas i bild. D.

2. På en underram

 *Läs alla varningar och instruktioner som medföljer sågstativet. Underlåtenhet att följa varningar och instruktioner kan resultera i elstötar, brand och/eller allvarliga skador.*


 *Montera sågstativet ordentligt innan du monterar elverktyget. Korrekt montering är viktigt för att förhindra att det rasar samman.*

I detta fall måste maskinen fästas vid underramen med bultar. Använd de fyra hålen (12) för att göra detta. Underramen måste förankras med fyra bultar på golvplattan med dimensioner på minst en kvadratmeter. Montera elverktyget på sågstativet i transportläge.

3. Flexibel installation

 *Denna typ av installation rekommenderas inte av tillverkaren.*

Om det i undantagsfall inte är möjligt att montera elverktyget på en plan och stabil arbetsyta kan du improvisera genom att sätta upp det med lutningsskyddet.

 *Utän lutningsskyddet är elverktyget inte stabilt och kan välta, särskilt vid sågning av maximala gerings- och/eller fasningsvinklar.*


- Det bakre lutningsskyddet är fäst på maskinens bas och kan inte justeras.
- Vrid det främre lutningsskyddet (37) inåt eller utåt såsom visas i figur F tills elverktyget står plant på arbetsytan.


Kontrollera skyddet (fig. A)


Det infällbara skyddet (5) skyddar mot oavsiktlig kontakt med sågklingen och från sågflis som flyger runt. Före användning måste det kontrolleras om sågklingans skydd fungerar korrekt. För att göra det, dra handtaget (2) nedåt och kontrollera följande:


- Det infällbara skyddet (5) måste ge åtkomst till sågklingen (6) utan att komma i kontakt med andra delar.
- Vid fällning av sågen uppåt till startläget måste infällningsskyddet (5) täcka hela sågklingen (6) automatiskt.

Byte av sågblad (fig. G)

 *Innan något arbete utförs på maskinen, dra ut stickkontakten ur vägguttaget.*

 *När du monterar sågbladet, använd skyddshandskar. Risk för skador om man kommer i kontakt med sågbladet.*

 *Använd endast sågblad som motsvarar de karakteristiska data som anges i bruksanvisningen. Använd endast sågblad som är markerade med en hastighet som är lika högre eller högre än den hastighet som är markerad på maskinen.*

 *Använd absolut inte slipskivor som skärverktyg.*

Innan sågklingan byts ut rekommenderas det att du ställer in geringsvinkeln och fasvinkeln till 0°. Annars kan åtkomst vara begränsad.

Borttagning av sågblad

1. Lås sågen uppåt med positionslåsratten (38);
2. Lossa fästbulten (40) med en stjärnskruvmejsel enligt fig. G1; **WARNING!** Ta inte bort låsbulten (40) helt, bara lossa den.
3. Vik infällningsskyddet (5) uppåt tills klämbulten (42) kan nås fritt, som visas på figur G2;
4. Sätt in insexnyckeln i klämbulten (42). Infällningsskyddet (5) kan frigöras, det fälls på insexnyckeln.
5. Vrid klämbulten (42) med insexnyckeln (34) och tryck samtidigt på spindellåset (43) tills det hakar fast.
6. Håll fast spindellåset (43) och lossa klämbulten (42) genom att vrida det medurs (vänster gänga).
7. Ta bort klämbulten (42) och klämflänsen (41). Därefter kan sågklingan (6) tas bort.

Montering av sågklinga



Vid montering av sågklinga, se till att tändernas skärriktning (pilriktning på sågklingan) matchar pilens riktning på skyddet (4).



Vid montering av sågklingan (6), kontrollera att den vänder fritt i spårplattan (13) i både 0° och 45° vinkelinställningar.

1. Rengör sågklingan och alla klämdelar som ska monteras.
2. Lossa fästbulten (40) med en stjärnskruvmejsel enligt fig. G1; **WARNING!** Ta inte bort låsbulten (40) helt, bara lossa den.
3. Vik infällningsskyddet (5) uppåt tills klämbulten (42) kan nås fritt, som visas på figur G2;
4. Sätt in insexnyckeln i klämbulten (42). Infällningsskyddet (5) kan frigöras, det fälls på insexnyckeln.
5. Montera klämflänsen (41). Se till att klämflänsens plana sidor överensstämmer med klingaxelns plana sidor. Se också till att klämflänsens konvexa sida är monterad på utsidan.
6. Montera klämbulten (42) med insexnyckeln och tryck samtidigt på spindellåset (43) tills det hakar fast.
7. Håll fast spindellåset (43) och lossa klämbulten (42) genom att vrida det moturs.

Dammutsugning (fig. A, B, W, X)



Säkerställ ventilation på arbetsplatsen.



Använd dammskydd.

Damm från material som blyfärg och vissa träslag kan vara skadligt för din hälsa. Andning i detta damm kan orsaka allergiska reaktioner och/eller orsaka andningssjukdomar för användaren eller människor i närheten. Visst damm, som ek- eller bokdamm, anses vara cancerframkallande, särskilt i samband med tillsatser för träbehandling (kromat, träskyddsmedel). Det rekommenderas starkt att använda ett dammutsugningssystem som är lämpligt för materialet där det är möjligt.



Undvik ansamling av damm på arbetsplatsen. Damm kan lätt antändas.

Dammutsugningssystemet kan blockeras av damm, flis eller fragment av arbetsstycket. Därför måste det rengöras regelbundet. Gör så här:

1. Koppla bort maskinen från elnätet.
2. Vänta tills sågklingan har stannat helt.
3. Ta bort eventuella blockeringar vid behov.

Montering av dammpåse (fig. W)

Tryck in klämman på dammpåsen (26) och skjut den över uttaget (28) på baksidan av maskinen. Dammpåsen sitter på plats när du släpper klämman.

Ansluta en dammsugare (fig. X)



Dammsugaren måste vara lämplig för det material som bearbetas.



När du dammsuger torrt damm som är särskilt skadligt för hälsan eller är cancerframkallande, använd en specialdammsugare.

En dammsugarslang kan anslutas till dammutloppet (28). För att göra det, anslut bara dammsugarslangens till dammutsugningsröret.

4. DRIFT



Innan du slår på maskinen, kontrollera alltid att sågklingan är korrekt monterad. Klingan måste rotera smidigt.



Kontrollera alltid skydden före användning.



För alla sågningar måste det först säkerställas att sågklingan aldrig kan komma i kontakt med anslaget, arbetsstyckets klämma eller andra maskindelar. Ta bort eventuella monterade hjälpstopp eller justera dem i enlighet med detta.

Stöd för arbetsstycket (fig. H)

Arbetsstycken måste alltid stödjas ordentligt. Bordsförlängningarna (10) kan förlängas åt vänster och höger för att stödja ett arbetsstycke. Gör så här:

1. Lossa låsbulten för bordsförlängning (34);
2. Flytta bordsförlängningen (10) till önskat läge;
3. Dra åt låsbulten för bordsförlängningen (34).

När du sågar extra långa arbetsstycken måste den fria änden på långa arbetsstycken ha något ytterligare som placeras under det eller stöddas.

Fastspänning av arbetsstycket (fig. H)

Arbetsstycken måste alltid klämmas fast ordentligt. Arbetsstyckets klämma (21) kan placeras åt vänster och höger om arbetsstycket. Gör så här:

1. Se till att arbetsstycket är pressat ordentligt mot anslaget (9);
2. För in det medföljande arbetsstyckets klämma (21) i ett av hålen avsedda för detta ändamål, enligt figur H;
3. Justera den gängade stängeln på arbetsstyckets klämma (21) till arbetsstyckets höjd;
4. Dra åt den gängade stängeln på arbetsstyckets klämma (21) för att fästa arbetsstycket på plats. Lossa genom att helt enkelt dra åt den gängade stängeln på arbetsstyckets klämma (21).

Vredet för arbetsstyckets klämma (44) kan användas för att snabbare justera arbetsstyckets klämma (21). Efter justering av höjden, dra åt den gängade stängeln på arbetsstyckets klämma (21) för att fästa arbetsstycket på plats.

Inställning av arbetsstycket (fig. H)



Justera alltid anslaget efter den specifika typen av sågning.

När du sågar gerings- och/eller fasningsvinklar måste du flytta det justerbara anslaget (7) beroende på skärriktningen. På så sätt stöds alltid

arbetsstycket ordentligt av anslaget under varje tillstånd. Gör så här:

1. Lossa låsbulten för justerbart anslag (35);
2. Justera anslaget efter önskat snitt. För geringsågning eller raka snitt måste anslaget föras inåt mot bladet (max 8 mm) utan att vidröra det. För fasningar måste anslaget flyttas utåt från klingan (max 8 mm) utan att vidröra den.
3. Dra åt låsbulten för justerbart anslag (35);
4. För att säkerställa att klingan inte kommer i kontakt med det justerbara anslaget (35), rekommenderas det att du testar klingans rörelse utan att slå på maskinen.

Inställning av geringsvinkeln (fig. A)

Geringsvinkeln kan ställas in mellan 45° vänster och 45° höger. För snabb och exakt inställning av vanliga geringsvinklar finns förinställningar på sågbordet vid vinklar på 0°, 15°, 22.5°, 30° och 45°.

Inställning av geringsvinkeln till en förinställning:

1. Lossa vredet för geringsjustering (14);
2. Dra spaken för geringsjustering (15) och vrid bordet (11) åt vänster eller höger till önskad förinställning. Vinkeln kan avläsas på skalan för geringsvinkel (16) med hjälp av indikatorn för geringsvinkel (17).
3. Släpp spaken. Känn efter att spaken hakar i den förinställda spärren.
4. Dra åt vredet för geringsjustering (14).

Inställning av geringsvinkeln till en förinställd vinkel:

1. Lossa vredet för geringsjustering (14);
2. Dra spaken för geringsjustering (15) och vrid bordet (11) åt vänster eller höger till önskat läge. Vinkeln kan avläsas på skalan för geringsvinkel (16) med hjälp av indikatorn för geringsvinkel (17).
3. Släpp spaken och dra åt ratten för geringsjustering (14).

Inställning av fasvinkeln (fig. A, B)

Fasvinkeln kan ställas in mellan 0° och +45° åt vänster. Gör så här:

1. Lossa vredet för geringsjustering (22);
2. Luta sågen med hjälp av handtaget (2) tills indikatorn (19) avläser önskad position på skalan för fasningsvinkel (20);
3. Dra åt vredet för geringsjustering (22).

Igångsättning och avstängning av maskinen (fig. A)

- För att starta maskinen, tryck och håll in låsknappen (1) för att låsa upp skyddsvakten och tryck på strömbrytaren (3).
- Släpp strömbrytaren (3) för att stoppa maskinen.

Göra ett tvärsnitt (fig. I, J)

Följ dessa steg för att skära vinkelrätt mot träets korn:

1. Justera geringsvinkeln till och fasvinkeln till 0°;
2. Flytta det justerbara anslaget till det inre läget, mot bladet. Det maximala avståndet mellan det justerbara anslaget (35) och sågklingen (6) är 8 mm, som visas på figur J. Se till att anslaget inte rör vid bladet.
3. Kläm fast arbetsstycket ordentligt;
4. Slå på maskinen. Se till att sågbladet har nått full hastighet;
5. För handtaget försiktigt nedåt så att sågklingen skär in i arbetsstycket och går in i spåret i bänken. Anbringa inte för mycket tryck på sågen. Låt maskinen göra arbetet.
6. Ta försiktigt upp handtaget igen och stäng av det genom att släppa brytaren.

Göra ett geringsnitt (fig. J, K)

Följ dessa steg för att skära vinkelrätt till träets flatsida:

1. Justera geringsvinkeln till önskat läge och fasvinkeln till 0°;
2. Flytta det justerbara anslaget till det inre läget, mot bladet. Det maximala avståndet mellan det justerbara anslaget (35) och sågklingen (6) är 8 mm, som visas på figur J. Se till att anslaget inte rör vid bladet.
3. Kläm fast arbetsstycket ordentligt;
4. Slå på maskinen. Se till att sågbladet har nått full hastighet;
5. För handtaget försiktigt nedåt så att sågklingen skär in i arbetsstycket och går in i spåret i bänken. Anbringa inte för mycket tryck på sågen. Låt maskinen göra arbetet.
6. Ta försiktigt upp handtaget igen och stäng av det genom att släppa brytaren.

Göra ett fasningsnitt (fig. L, M)

Följ dessa steg för att skära vinkelrätt till träets kant:

1. Justera geringsvinkeln till 0° och fasvinkeln till önskat läge;
2. Flytta det justerbara anslaget till det yttre läget, från bladet. Det maximala avståndet mellan det justerbara anslaget (35) och sågbladet (6) är 8 mm, som visas i figur M. Se till att anslaget inte rör vid bladet.

3. Kläm fast arbetsstycket ordentligt. Se till att arbetsstyckets klämma är placerad på höger sida;
4. Slå på maskinen. Se till att sågbladet har nått full hastighet;
5. För handtaget försiktigt nedåt så att sågklingen skär in i arbetsstycket och går in i spåret i bänken. Anbringa inte för mycket tryck på sågen. Låt maskinen göra arbetet.
6. Ta försiktigt upp handtaget igen och stäng av det genom att släppa brytaren.

Göra ett kombinerat sågsnitt (fig. M, N)

Följ dessa steg för att skapa en kombination av gering och fasning:

1. Justera geringsvinkeln och fasvinkeln till önskat läge;
2. Flytta det justerbara anslaget till det yttre läget, från bladet. Det maximala avståndet mellan det justerbara anslaget (35) och sågbladet (6) är 8 mm, som visas i figur M. Se till att anslaget inte rör vid bladet.
3. Kläm fast arbetsstycket ordentligt. Se till att arbetsstyckets klämma är placerad på höger sida;
4. Slå på maskinen. Se till att sågbladet har nått full hastighet;
5. För handtaget försiktigt nedåt så att sågklingen skär in i arbetsstycket och går in i spåret i bänken. Anbringa inte för mycket tryck på sågen. Låt maskinen göra arbetet.
6. Ta försiktigt upp handtaget igen och stäng av det genom att släppa brytaren.

Använda glidfunktionen

För extra breda arbetsstycken är maskinen utrustad med en glidfunktion. Se till att lossa låsbulten för glidskenor när du använder glidfunktionen (29). Dra handtaget (2) bort från anslaget (9) tills sågklingen är framför arbetsstycket. För verktygsarmen långsamt nedåt med handtaget och skjut sedan handtaget (2) mot anslaget (9) och såga genom arbetsstycket med jämn matning.

För små arbetsstycken är det möjligt att fixera glidfunktionen i sågens bakre läge med låsbulten för glidskenor (29). Om du önskar mer skärbredd är det nödvändigt att lossa låsbulten för glidskenor (29).

Använda längdstoppet (fig. O)

Längdstoppet (8) på både vänster och höger bordsförlängning (10) kan användas för att enkelt såga arbetsstycken till samma längd.

1. Flytta längdstoppet (8) uppåt;
2. Lossa låsbulten för bordsförlängning (34);
3. Flytta bordsförlängningen (10) till önskad längd.
4. Dra åt låsbulten för bordsförlängningen (34).

Justera djupstoppet (fig. P)

Djupstoppet kan justeras för att begränsa sågdjupet. Detta kan användas för att enkelt såga ett spår. Gör så här:

1. Lossa den räfflade muttern för djupjustering (45);
2. Justera vredet för djupjustering (24) till önskat djup;
3. Dra åt den räfflade muttern för djupjustering (45).

Påslagning och avstängning av laser (fig. B)

Tryck på laserbrytaren (46) för att slå på eller av lasern. Laserbrytaren (46) tändes också LED-arbetsbelysningen.

Finjustering

Innan eventuella justeringsarbeten koppla bort nätkontakten.

För att säkerställa exakta sågsnitt måste sågens grundinställningar kontrolleras och justeras före första användning samt nödvändigt efter intensiv användning. Lämpliga specialverktyg krävs för detta. Vonroc eftermarknad hjälper till att hantera detta arbete snabbt och pålitligt.

Finjustera lasern (fig. Q)

Notera: För att testa laserfunktionen måste elverkytet vara anslutet till strömförsörjning.



När du justerar lasern (t.ex. när du flyttar verktygsarmen), aktivera aldrig strömbrytaren. Oavsiktlig start av elverkytet kan leda till personskador.

Om lasern (18) slutar att indikera rätt såglinje kan du justera lasern. Gör så här:

1. Lossa laserjusteringsskruvarna (48) och ställ in lasern genom att flytta den tills laserstrålen träffar sågklingans tänder (6);
2. Dra åt laserjusteringsskruvarna (48).

Finjustera 0° fasvinkel (fig. R, S)

1. Justera geringsvinkeln till och fasvinkeln till 0°;
2. Sänk ner handtaget (2) och fäst det med hjälp av positionslåsratten (38);
3. Lås glidrörelsen med låsbulten för glidskenor (29);
4. Ställ en vinkelmätare till 90° och placera den på bordet (11), som visas i figur S. Vinkelprofilens ben måste vara i jämnhöjd med sågklingan (6) längs hela dess längd;
5. Lossa låsmuttern för 0° fasvinkel (50);
6. Justera stoppbulten för 0° fasvinkel (32) tills vinkelprofilens ben är i jämnhöjd med sågklingan i hela sin längd;
7. Dra åt låsmuttern för 0° fasvinkel (50).

Kontrollera vinkelindikatorns läge (19). Lossa pekaren vid behov med en stjärnskruvmejsel, ställ in position 0° på skalan för fasvinkel (20) och dra åt fästskruven igen.

Finjustera 45° fasvinkel (fig. R, T)

1. Justera geringsvinkeln till och fasvinkeln till 45°;
2. Sänk ner handtaget (2) och fäst det med hjälp av positionslåsratten (38);
3. Lås glidrörelsen med låsbulten för glidskenor (29);
4. Ställ en vinkelmätare till 90° och placera den på bordet (11), som visas i figur T. Vinkelprofilens ben måste vara i jämnhöjd med sågklingan (6) längs hela dess längd;
5. Lossa låsmuttern för 45° fasvinkel (49);
6. Justera stoppbulten för 45° fasvinkel (31) tills vinkelprofilens ben är i jämnhöjd med sågklingan i hela sin längd;
7. Dra åt låsmuttern för 45° fasvinkel (49).

Kontrollera vinkelindikatorns läge (19). Lossa pekaren vid behov med en stjärnskruvmejsel, ställ in position 45° på skalan för fasvinkel (20) och dra åt fästskruven igen.

Finjustera 0° geringsvinkel (fig. U, V)

1. Ställ en vinkelmätare till 0° på bordet (11) och placera den mellan anslaget (9) och sågklingan (6);
2. Vinkelprofilens ben måste vara i jämnhöjd med sågklingan (6) längs hela dess längd;
3. Lossa låsbultarna för justerbart anslag (35) och lossa därefter låsbultarna för justerbart anslag (36).

4. Ta bort både vänster och höger justerbara anslag (7) så syns anslagsbultarna (51).
5. Lossa alla fyra anslagsbultar (51) och justera anslaget (9) tills vinkelprofilens ben är i jämn-höjd med sågklingan i hela sin längd;
6. Dra åt alla fyra anslagsbultarna (51) igen. Kontrollera vinkelindikatorns läge (17). Lossa pekaren vid behov med en stjärnskruvmejsel, ställ in position 0° på skalan för geringsvinkel (16) och dra åt fästskruven igen.
7. Montera både vänster och höger justerbara anslag (7).
8. Lossa låsbultarna för justerbart anslag (35) och dra därefter åt låsbultarna för justerbart anslag (36).

5. UNDERHÅLL



Se alltid till att maskinen inte är ansluten till elnätet när du utför underhåll av mekanismen.

Rengör maskinens hus regelbundet med en mjuk trasa, helst efter varje gång du använder maskinen. Se till att ventilationsöppningarna är fria från damm och smuts. Ta bort mycket ihållande smuts med en mjuk trasa fuktad med tvållösning. Använd inte lösningsmedel som bensen, alkohol, ammoniak osv. Sådana kemikalier skadar de syntetiska komponenterna.

Rengör skydden

Kontrollera alltid skyddet (4) och det infällbara skyddet (5) för skräp innan du använder maskinen. Ta bort gammalt sågspån och splinter med en borste eller liknande verktyg.

Sätta tillbaka bordsinsatsen



Byt omedelbart ut skadade bordsinsatser.

Med en skadad bordsinsats (13) finns det en risk för att små delar fastnar mellan bordsinsatsen och sågklingan och blockerar sågklingan. Byta bordsinsatsen:

1. Ta bort skruvarna på bordsinsatsen med en stjärnskruvmejsel. Om det behövs, justera gerings- och fasvinkel för att få åtkomst till dessa skruvar;
2. Ta bort bordsinsatsen;
3. Sätt in en ny bordsinsats;
4. Dra åt skruvarna med en stjärnskruvmejsel.

Glidskenor

Smuts kan skada glidskenorna (25) och därmed maskinens manövrering.

- Rengör glidskenorna med en mjuk trasa;
- Droppa lite smörjolja på glidskenorna;
- Flytta geringssågen framåt och bakåt så att oljan sprids över hela skenorna.

MILJÖ



Felaktig och/eller kasserad elektrisk eller elektronisk utrustning måste lämnas in på lämpliga återvinningsstationer.

Endast för EU-länder

Kassera inte elverktyg i hushållsavfall. Enligt den europeiska riktlinjen 2012/19/EU om kasserad elektrisk och elektronisk utrustning och dess tillämpning i nationell rätt måste elverktyg som inte längre är användbara samlas in separat och kasseras på ett miljövänligt sätt.

GARANTI

VONROC-produkter är utvecklade enligt högsta kvalitetsstandard och garanteras fria från defekter i både material och utförande under den period som lagen föreskriver från och med inköpsdatumet. Om produkten skulle utveckla fel under denna period på grund av defekt material och/eller utförande, kontakta då VONROC direkt.

Följande omständigheter är undantagna från denna garanti:

- Reparationer och/eller ändringar har gjorts eller försökts utföras på maskinen av obehöriga servicecenter;
- Normalt slitage;
- Verktyget har missbrukats, använts på fel sätt eller underhållits felaktigt;
- Reservdelar som inte är original har använts.

Detta utgör den enda garantin som företaget ger antingen uttryckt eller underförstått. Det finns inga andra garantier uttryckta eller underförstådda som sträcker sig bortom detta, inklusive de underförstådda garantierna för säljbarhet och lämplighet för ett visst syfte. Under inga omständigheter ska VONROC hållas ansvarigt för indirekta skador eller följdskador. Återförsäljarnas åtgärder ska begränsas.

sas till reparation eller byte av enheter eller delar som inte uppfyller kraven.

Produkten och användarhandboken kan ändras. Specifikationerna kan ändras utan förvarning.

1. SIKKERHEDSANVISNINGER

Læs de vedlagte sikkerhedsadvarsler, de yderligere sikkerhedsadvarsler og vejledningen. Hvis sikkerhedsadvarslerne og vejledningen ikke følges, kan det resultere i elektrisk stød, brand og/eller alvorlige personskader. Gem sikkerhedsadvarslerne og vejledningen til fremtidig brug.

Følgende symboler anvendes i brugervejledningen eller på produktet:



Læs brugervejledningen.



Angiver risiko for personskade, dødsfald eller beskadigelse af værktøjet i tilfælde af manglende overholdelse af anvisningerne i denne vejledning.



Risiko for elektrisk stød.



Hold tilskuere væk.



Bær en støvbeskyttelse.



Brug høreværn.



Brug beskyttelsesbriller.



Vigtigt: Laserstråling. Kig ikke ind i strålen på en klasse 2-laser.



Hold hænderne væk fra skæreeområdet, mens elværktøjet kører. Kontakt med savklingen kan føre til personskader.



Fareområde! Hold hænder, fingre eller arme væk fra dette område.



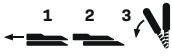
Transporter kun maskinen, når maskinen er i indadgående transportposition.



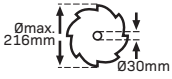
Klasse II maskine - Dobbelt isolering - Du har ikke brug for et jordforbundet stik.



Produktet er i overensstemmelse med de gældende sikkerhedsstandarder i EU-direktiverne.



Den justerbare indhegning skal trækkes udad ved savning af gerings-/smigvinkler.



Bemærk savklingens dimensioner. Huldiameteren skal passe til værktøjsspindlen uden slør. Hvis det er nødvendigt at bruge reduktionsmuffer, skal du sikre dig, at reduktionsmuffens dimensioner er egnet til bundklingetykkelsen og savklingens huldiameter, samt værktøjsspindelens diameter. Brug, hvor det er muligt, reduktionsmufferne, der fulgte med savklingen. Savklingens diameter skal stemme overens med informationen, der er specificeret på symbolet.

GENERELLE SIKKERHEDSADVARSLER FOR ELVÆRKTØJ



ADVARSEL! Læs alle sikkerhedsadvarsler, instruktioner, illustrationer og specifikationer, der følger med dette el-værktøj. Hvis alle nedenstående instruktioner ikke følges, kan det resultere i elektrisk stød, brand og/eller alvorlige kvæstelser.

Gem alle advarsler og instruktioner til fremtidig brug. Udtrykket "el-værktøj" i advarslerne refererer til dit el-værktøj (med ledning) eller dit batteridrevet (ledningsfri) el-værktøj.

1) Sikkerhed på arbejdsområdet

- Hold arbejdsområdet rent og godt oplyst.** Der er risiko for ulykker på rodede eller mørke områder.
- Brug ikke el-værktøj i eksplosive atmosfærer, f.eks. i nærheden af brandfarlige væsker, gasser eller støv.** El-værktøj danner gnister, der kan antænde støv eller dampe.
- Hold børn og tilskuere væk, mens du bruger et el-værktøj.** Distraktioner kan få dig til at miste kontrollen.

2) El-sikkerhed

- Stik på el-værktøj skal passe til stikkontakten.** Stikket må aldrig modificeres på nogen måde. Brug ikke adapterstik med jordforbundne

(jordede) el-værktøj. Umodificerede stik og tilsvarende stikkontakter reducerer risikoen for elektrisk stød.

- Undgå kropskontakt med jordede overflader, såsom rør, radiatorer, områder og køleskabe.** Der er en øget risiko for elektrisk stød, hvis din krop er jordet.
- El-værktøjer må ikke udsættes for regn eller våde omgivelser.** Vand, der trænger ind i et el-værktøj, vil øge risikoen for elektrisk stød.
- Misbrug ikke ledningen. Brug ikke ledningen til at bære, trække eller frakoble el-værktøjet. Hold ledningen væk fra varme, olie, skarpe kanter eller dele i bevægelse.** Beskadigede eller sammenfildrede ledninger øger risikoen for elektrisk stød.
- Når du betjener et el-værktøj udendørs, skal du bruge en forlængerledning, der er velegnet til udendørs brug.** Brug af en ledning, der er velegnet til udendørs brug, reducerer risikoen for elektrisk stød.
- Hvis det ikke kan undgås at bruge et maskinværktøj i et fugtigt miljø, bør du anvende en forsyning, der er beskyttet af en fejlstrømsafbryder (RCD).** Brugen af en RCD reducerer risikoen for elektrisk stød.

3) Personlig sikkerhed

- Vær opmærksom, se hvad du laver, og brug din sunde fornuft, når du bruger et el-værktøj. Brug ikke et el-værktøj, når du er træt eller påvirket af stoffer, alkohol eller medicin.** Et øjeblik uopmærksomhed under brug af el-værktøj kan resultere i alvorlig personskade.
- Brug personligt sikkerhedsudstyr. Bær altid øjenværn.** Beskyttelsesudstyr såsom støvmaske, skridsikre sikkerhedssko, hjelm eller høreværn, der bruges til passende forhold, reducerer personskader.
- Undgå utilsigtet start. Sørg for, at kontakten er slukket, før du tilslutter strømkilden og/eller batteripakken, tager maskinen op eller bærer værktøjet.** Hvis el-værktøj bæres med fingeren på kontakten, eller når el-værktøj strømføres med tændt kontakt, kan der nemt ske ulykker.
- Fjern en eventuel justeringsnøgle eller skruenøgle, inden du tænder for el-værktøjet.** En skruenøgle eller en justeringsnøgle, der er fastgjort til en roterende del af el-værktøjet, kan resultere i personskade.

- e) **Ræk dig ikke for langt. Hold altid et korrekt fodfæste og balancen.** Dette giver bedre kontrol over el-værktøjet i uventede situationer.
- f) **Klæd dig korrekt. Bær ikke løst tøj eller smykker. Hold dit hår og tøj væk fra bevægelige dele.** Løst tøj, smykker eller langt hår kan sætte sig fast i bevægelige dele.
- g) **Hvis der leveres enheder til tilslutning af støvudsugnings- og opsamlingsfaciliteter, skal du sikre, at disse er tilsluttet og bliver brugt korrekt.** Brug af støvopsamling kan reducere støvrelaterede farer.
- h) **Lad ikke kendskab opnået gennem hyppig brug af værktøj lade dig blive tilbagelænet og ignorere værktøjssikkerhedsprincipper.** En skødesløs handling kan forårsage alvorlig personskade inden for en brøkdæl af et sekund.

4) Brug og pleje af el-værktøj

- a) **Tving ikke el-værktøjet. Brug det korrekte el-værktøj til din opgave.** Det korrekte el-værktøj vil gøre et bedre stykke arbejde og vil være mere sikkert ved den hastighed, det var beregnet til.
- b) **Brug ikke el-værktøjet, hvis kontakten ikke tænder og slukker.** Ethvert el-værktøj, der ikke kan styres med kontakten, er farligt og skal repareres.
- c) **Tag stikket ud af strømkilden og/eller fjern batteripakken fra el-værktøjet, hvis den kan udtages, før du foretager justeringer, skifter tilbehør eller opbevarer el-værktøj.** Disse forebyggende sikkerhedsforanstaltninger reducerer risikoen for at tænde el-værktøjet ved et uheld.
- d) **Opbevar inaktivt el-værktøj uden for børns rækkevidde, og lad ikke personer, der ikke har kendskab til el-værktøjet eller disse instruktioner, betjene el-værktøjet.** El-værktøjer er farlige i hænderne på utrænede brugere.
- e) **Vedligehold el-værktøjer og tilbehør. Se efter forkert justering eller binding af bevægelige dele, ødelagte dele og enhver anden tilstand, der kan påvirke el-værktøjets drift. Hvis det er beskadiget, bør du få el-værktøjet repareret før brug.** Mange ulykker forårsages af dårligt vedligeholdt el-værktøj.
- f) **Hold skæreværktøj skarpt og rent.** Korrekt vedligeholdt skæreværktøjer med skarpe skærekanter har mindre tilbøjelighed til at binde og er lettere at styre.
- g) **Brug el-værktøj, tilbehør og værktøjsbor osv. i overensstemmelse med disse instruktioner under hensyntagen til arbejdsforholdene og det**

arbejde, der skal udføres. Brug af el-værktøjet til andet arbejde end det tilsigtede kan resultere i en farlig situation.

- h) **Hold håndtag og gribeblader tørre, rene og fri fra olie og fedtstof.** Glatte håndtag og gribeblader giver ikke mulighed for sikker håndtering og kontrol af værktøjet i uventede situationer.

5) Service

- a) **Lad dit el-værktøj blive servicert af en kvalificeret reparatør, der kun bruger identiske reservedele.** Dette sikrer, at maskinværktøjet fortsat er sikkert at bruge.

SPECIFIKKE SIKKERHEDSANVISNINGER

- **Geringssave er beregnet til at save træ eller træliggende produkter, og de kan ikke bruges sammen med skæreskiver til savning af jernholdigt materiale som stænger, stave, stifter osv.** Slibestøv forårsager fastklemning af bevægelige dele såsom den nederste skærm. Gnister fra slibeskæring vil brænde den nederste skærm, snitindsatsen og andre plastikdele.
- **Anvend så vidt muligt klemmeanordninger til at fastholde arbejdsemnet. Hvis du støtter arbejdsemnet med hånden, skal du altid holde din hånd mindst 100 mm fra hver side af savklingen. Brug ikke denne sav til at skære stykker, der er for små til at blive spændt sikkert fast eller holdt med hånden.** Hvis din hånd placeres for tæt på savklingen, er der en øget risiko for skader som følge af klingekontakt.
- **Arbejdsemnet skal være stationært og fastspændt eller holdt fast mod både indhegningen og bordet. Før ikke arbejdsemnet hen mod klingens, og skær ikke på nogen måde "med fri hånd".** Løse eller bevægelige arbejdsemner kan blive kastet ved høje hastigheder og forårsage personskade.
- **Skub saven gennem arbejdsemnet. Træk ikke saven gennem arbejdsemnet. For at foretage et snit skal du hæve savhovedet og trække det ud over arbejdsemnet uden at save, starte motoren, presse savhovedet ned og skubbe saven gennem arbejdsemnet.** Hvis der skæres ved trækbevægelsen, vil det sandsynligvis få savklingen til at klatre op på arbejdsemnet og kaste klingsamlingen voldsomt mod operatøren.
- **Du må aldrig krydse din hånd over den påtænkte skærelinje, hverken foran eller bag savklingen.** Det er meget farligt at understøtte arbejdsemnet "med krydshænder", dvs. at

- holde arbejdsemnet til højre for savklingen med venstre hånd eller omvendt.
- **Ræk ikke bag indhegningen med hver hånd tættere end 100 mm fra hver side af savklingen, for at fjerne trærester eller af en anden grund, mens klingens roterer.** Det er ikke altid indlysende, hvor tæt den roterende savklinge er på din hånd, og du kan komme alvorligt til skade.
 - **Undersøg dit arbejdsemne, før du saver. Hvis arbejdsemnet er bøjet eller skævt, skal den flade, som bøjer udad, klemmes fast mod anslaget.** Sørg altid for, at der ikke er et mellemrum mellem arbejdsemnet, anslaget og bordet langs snitlinjen. Bøjede eller skæve arbejdsemner kan blive snoet eller forvredet og kan forårsage binding på den roterende savklinge under savning. Der må ikke være søm eller fremmedlegemer i arbejdsemnet.
 - **Brug ikke saven, før bordet er fri for alt værktøj, trærester osv., med undtagelse af arbejdsemnet.** Små stykker snavs eller løse stykker træ eller andre genstande, der kommer i kontakt med den roterende klinge, kan blive kastet med høj hastighed.
 - **Skær kun ét arbejdsemne ad gangen.** Flere stablede arbejdsemner kan ikke fastholdes eller støttes tilstrækkeligt og kan klemme sig fast mod klingens eller blive forskudt under savning.
 - **Sørg for, at geringssaven er monteret eller placeret på en plan, fast overflade inden brug.** En plan og fast arbejdsflade reducerer risikoen for, at geringssaven bliver ustabil.
 - **Planlæg dit arbejde. Hver gang du ændrer indstillingen af smig- eller geringsvinkel, skal du sørge for, at den justerbare indhegning er indstillet korrekt for at understøtte arbejdsemnet, og så den ikke forstyrrer klingens beskyttelsessystemet.** Uden at slå værktøjet "TIL" og uden et arbejdsemne på bordet skal du bevæge savklingen gennem et komplet simuleret snit for at sikre, at der ikke vil være forstyrrelser eller fare for at skære i anslaget.
 - **Sørg for tilstrækkelig støtte, f.eks. bordforlængere, savhæste osv. til et arbejdsemne, der er bredere eller længere end bordpladen.** Arbejdsemner, der er længere eller bredere end geringssavbordet, kan vippe, hvis de ikke understøttes sikkert. Hvis afskæringsstykket eller arbejdsemnet vipper, kan det løfte den nedre afskærmning af eller blive kastet af den roterende klinge.
 - **Brug ikke en anden person som erstatning for et bordforlænger eller som ekstra støtte.** Ustabil støtte til arbejdsemnet kan få klingens til at binde sig eller få arbejdsemnet til at blive forskudt under skæringen, så du og medhjælperen bliver trukket ind i den roterende klinge.
 - **Afskæringsstykket må ikke sidde fast eller på nogen måde blive presset mod den roterende savklinge.** Hvis det fastholdes, dvs. ved hjælp af længdestop, kan afskæringsstykket blive klemt fast mod klingens og kastes voldsomt.
 - **Brug altid en klemme eller en fikstur, der er designet til støtte rundt materiale korrekt, såsom stænger eller slanger.** Stænger har en tendens til at rulle, mens de bliver savet, hvilket får klingens til at "bide" og trække arbejdsemnet med din hånd ind i klingens.
 - **Lad klingens nå fuld hastighed, før du kommer i kontakt med arbejdsemnet.** Dette reducerer risikoen for, at arbejdsemnet bliver kastet.
 - **Hvis et arbejdsemne eller en klinge sætter sig fast, skal du slukke for geringssaven. Vent på, at alle bevægelige dele stopper, og tag stikket ud af strømkilden og/eller fjern batteripakken. Arbejd derefter på at frigøre det fastklemte materiale.** Fortsat savning med et fastklemt arbejdsemne kan forårsage tab af kontrol eller beskadigelse af geringssaven.
 - **Efter snittet er foretaget, skal du slippe kontakten, holde savhovedet nede og vente på, at klingens stopper, før afskæringsstykket fjernes.** Det er farligt at stikke hånden tæt på den igangværende klinge.
 - **Hold godt fast i håndtaget, når du foretager et ufuldstændigt snit, eller når du slipper kontakten, før savhovedet er helt nede.** Savens bremsevirkning kan resultere i, at savhovedet pludselig bliver trukket nedad, hvilket forårsager risiko for personskade.
 - **Hold dit arbejdsområde rent.** Materialeblandinger er særligt farlige. Let metalstøv kan blive antændt eller eksplodere.
 - **Brug ikke sløve, revnede, bøjede eller beskadigede savklinger.** Uskarpe eller forkert monterede savklinger giver smalle savsnit, der forårsager ekstra friktion, fastklemning af klingens og tilbageslag.
 - **Brug ikke savklinger fremstillet af stål med høj hastighed (HSS).** Sådanne savklinger kan nemt gå i stykker.

- **Brug altid savklinger med den korrekte størrelse og akselhulform (diamantformede eller runde).** Savklinger, der ikke modsvarer savens monteringsdele, roterer skævt og forårsager tab af kontrol.
- **Udskift ikke den integrerede laser med en anden type.** En laser, der ikke er kompatibel med dette el-værktøj, kan udgøre en risiko for personer.
- **Fjern aldrig afskæringer, træflis osv. fra skæreamrådet, mens el-værktøjet kører.** Før altid værktøjsarmen tilbage til den neutrale position, og sluk derefter for el-værktøjet.
- **Rør ikke ved savklingen efter arbejde, før den er afkølet.** Savklingen bliver meget varm under arbejdet.
- **Gør aldrig advarselsskilte på maskinen uigenkendelige.**
- **Hvis laserstråling rammer dit øje, skal du lukke øjnene og straks vende hovedet væk fra strålen.**
- **Brug ikke optiske instrumenter, f.eks. en kikkert, til at se strålingskilden.** Dette kan beskadige dit øje.
- **Ret ikke laserstrålen mod personer, der kigger gennem en kikkert eller lignende instrumenter.** Dette kan beskadige deres øje.
- **Foretag ikke ændringer på laserudstyret.** Indstillingsmulighederne beskrevet i denne betjeningsvejledning kan bruges sikkert.
- **Stå ikke på linje med savklingen foran værktøjet.** Stå altid ved siden af savklingen. Dette beskytter din krop mod muligt tilbageslag.
- **Hold hænder, fingre og arme væk fra den roterende savklinge.**
- **Ræk ikke den ene hånd hen over den anden, når du befinder dig foran værktøjsarmen.**
- **Undgå overophedning af savtænderne. Stop maskinen, når savklingen bliver overophedet.** Lad savklingen køle af, før du bruger maskinen igen.
- **Udskift beskadigede eller slidte savklinger med det samme.**
- **Brug kun savklinger, der opfylder specifikationerne i denne brugsvejledning, og som er testet og mærket i overensstemmelse med EN 847-1.**
- **Ved savning af buede eller runde emner skal disse særligt sikres mod at glide. Ved skærelinjen bør der ikke være mellemrum mellem arbejdsemnet, anslaget og savbordet.** Du bliver om nødvendigt nødt til at fremstille specielle fiksturer.

El-sikkerhed



Kontroller altid, at strømforsyningens spænding stemmer overens med spændingen på ydelsesskiltet.

- Hvis forsyningsledningen til dette elværktøj er beskadiget, skal den udskiftes med en specielt forberedt forsyningsledning, som kan fås via serviceafdelingen.
- Brug kun forlængerledninger, der er velegnede til maskinens effekt med en minimumstykkelse på 1,5 mm². Hvis du bruger en forlængerkabelrulle, skal du altid rulle kablet helt ud.

2. MASKINOPLYSNINGER

Tilsigtet brug

Dette værktøj er beregnet som en stationær maskine til at lave lige snit på langs og på tværs i træ med og mod åren. Det er muligt at skære geringsvinkler på -45° til +45° og smigvinkler på -0° til +45°. Elværktøjet med den monterede savklinge er designet med tilstrækkelig kapacitet til savning af hårdt træ og blødt træ samt spånplader og fiberplader. Savklingen er ikke designet til at save brænde. Brug ikke saven til at skære andre materialer end dem, der er beskrevet i vejledningen.

TEKNISKE SPECIFIKATIONER

Model nr.	MS504AC
Spænding	220-240V~
Frekvens	50 Hz
Indgangseffekt	1800 W S1 - 2200 W S6 40%*
Hastighed uden belastning	5200/min
Geringsvinkler	-45° <> +45°
Smigvinkler	-45° <> 0° til den venstre, enkelte smig
Specifikationer for savklinge:	
Diameter	Ø 216 mm
Bundklingetykkelse	1,6 mm
Snitbredde	2,8 mm
Boringsdiameter	Ø 30 mm
Antal tænder	40T
Savkapacitet (højde x bredde):	
Gering 0° - Smig 0°	65 x 300 mm
Gering 0° - Smig 45°	38 x 300 mm
Gering 45° - Smig 0°	65 x 200 mm
Gering 45° - Smig 45	38 x 200 mm

Minimum dimensioner af arbejdsemne	3 x 10 mm
Laserspecifikationer:	
Klasse	2
Bølgelængde	650 nm
Effekt	< 1 mW
Vægt	14kg
Lpa (lydtrykniveau)	98 dB(A) KpA: 3 dB(A)
Lpa (lydeffektniveau)	111 dB(A) KWA: 3 dB(A)

- * S6, kontinuerlig drift periodisk arbejde. Identiske arbejdscyklusser med en periode med belastning efterfulgt af en periode uden belastning. Driftstid 10 minutter; arbejdscyklus er 40% af driftstiden.

BESKRIVELSE

Tallene i teksten henviser til diagrammerne på side 2-7.

1. Oplås-knap
2. Håndtag
3. Tænd/sluk-kontakt
4. Beskyttelsesafskærmning
5. Bevægelig beskyttelsesafskærmning
6. Savklinge
7. Justerbart anslag
8. Længdestop
9. Anslag
10. Bordforlængelse
11. Bord
12. Monteringshuller
13. Snitfugeplade
14. Knap til geringsjustering
15. Greb til geringsjustering
16. Skala for geringsvinkel
17. Indikator for geringsvinkel
18. Laser
19. Indikator for skrå vinkel
20. Skala for skrå vinkel
21. Klemmeanordning til arbejdsemne
22. Knap til skrå justering
23. Rulle
24. Bolt til dybdejustering
25. Glideskinner
26. Støvpose
27. Bærehåndtag
28. Støvdugang
29. Låsebolt til glideskinner

30. Geringsarm
31. Stopbolt til 45° skrå vinkel
32. Stopbolt til 0° skrå vinkel
33. Låsebolt til klemmeanordning til arbejdsemne
34. Låsebolt til bordforlængelse
35. Låsebolt til justerbart anslag
36. Sikkerhedsbolt til justerbart anslag
37. Forreste væltebeskyttelsesanordning
38. Positionslåseknap
39. Knap til geringsarm
40. Holdebolt
41. Spændeflange
42. Spændebolt
43. Spindellås
44. Knap til klemmeanordning til arbejdsemne
45. Fingermøtrik til dybdejustering
46. LED-arbejdslys
47. Bolt til geringsarm
48. Skruer til laserjustering
49. Låsemøtrik til 45° skrå vinkel
50. Låsemøtrik til 0° skrå vinkel
51. Anslagsbolte
52. Holder til geringsarm

3. MONTERING



Før du udfører arbejde på maskinen, skal du tage netstikket ud af strømforsyningen.

Transportposition (fig. B, C)

Positionslåseknapen (38) gør det lettere at flytte el-værktøjet, når det transporteres til forskellige arbejdssteder.

Oplåsning af transportpositionen (arbejdsposition)

1. Tryk håndtaget (2) en smule nedad;
2. Træk positionslåseknapen (38) helt udad, og lås den fast ved at dreje den;
3. Bevæg langsomt håndtaget (2) opad.

Låsning af transportpositionen (transportposition)

Inden den låses i transportposition, skal du sørge for, at bolten til dybdejustering (24) er justeret til ubegrænset dybde. På denne måde kan håndtaget (2) rykkes helt ned uden at berøre dybdestopet. Fjern også alt tilbehør, der ikke kan monteres sikkert på maskinen.

1. Løsn låsebolten til glideskinnerne (29), hvis den er spændt fast;
2. Træk håndtaget (2) fremad mod dig selv og spænd låsebolten til glideskinnerne (29) fast;

- Tryk håndtaget (2) helt nedad;
- Lås positionslåseknappen (38) ved først at trække og derefter dreje den;
- Vikl strømforsyningskablet op, og bind det sammen med den medfølgende kabelbinder.

Efter at have låst transportpositionen skal du bruge bærehåndtaget (27) til at bære og transportere maskinen sikkert.



Brug kun bærehåndtaget til at transportere maskinen og aldrig afskærmningerne.

Montering af geringsarmen (fig. D, Y)

Den forreste del af bordfladen, herefter kaldet geringsarm (30), kan fjernes for at opnå endnu mindre udvendige mål på den allerede kompakte geringsstav. Sådan monteres geringsarmen:

- Lås op for transportpositionen (arbejdsposition);
- Løs knappen til geringsjustering (14);
- Drej bordet (11) til venstre eller højre til forudindstillingen på 0°. Vinklen kan aflæses på skalaen for geringsvinkel (16) ved hjælp af indikatoren for geringsvinkel (17);
- Træk og hold knappen til geringsarm (39) som vist på figur D1 med den ene hånd;
- Med den anden hånd skal du indsætte geringsarmen (30) på bordet (11) som vist på figur D2, mens du trækker grebet til geringsjustering (15). Sørg for, at den omvendte trekant af geringsarmen (30) passer korrekt ind i de identisk formede hakker i bordet (11);
- Slip derefter knappen til geringsarm (39) og grebet til geringsjustering (15);
- Fastgør geringsarmen (30) ved at stramme boltene til geringsarm (47) som vist på figur D-3.

Bemærk: Mens den er demonteret, kan geringsarmen (30) opbevares i holderen til geringsarm (52), som vist på figur Y.

Installation af en stationær maskine (fig. A, B, D)

For at sikre en sikker håndtering skal el-værktøjet monteres på en plan, stabil arbejdsflade (f.eks. en arbejdsbænk) før brug. Du kan installere maskinen på tre måder:

1. På en arbejdsbænk

I dette tilfælde skal maskinen fastgøres til arbejdsbordet ved hjælp af passende skruer. Brug de fire huller (12) til at gøre dette. Som vist på fig. D.

2. På en underramme



Læs alle advarsler og instruktioner, der følger med savstativet. Hvis advarslerne ikke overholdes og vejledningen ikke følges, kan det resultere i elektrisk stød, brand og/eller alvorlige personskader.



Saml savstativet korrekt, før du monterer el-værktøjet. En korrekt samling er vigtig for at forhindre risikoen for, at det falder sammen.

I dette tilfælde skal maskinen fastgøres til underrammen med bolte. Brug de fire huller (12) til at gøre dette. Underrammen skal forankres med 4 bolte på bundpladen med dimensioner på mindst 1 kvadratmeter. Monter el-værktøjet på savstativet i transportposition.

3. Fleksibel installation



Denne type installation anbefales ikke af producenten.

Hvis det i udsædvanlige tilfælde ikke er muligt at montere el-værktøjet på en flad og stabil arbejdsflade, kan du improvisere ved at opstille den med væltebeskyttelsesanordninger.



Uden vippebeskytteren vil el-værktøjet ikke være stabilt og kan vælte, især ved savning af maksimale gerings- og/eller smigvinkler.

- Den bageste vippebeskytter er fastgjort til maskinens bund og kan ikke justeres.
- Drej forvippebeskytteren (37) indad eller udad, som vist på figur F, indtil el-værktøjet er placeret plant på arbejdsfladen.

Kontrol af afskærmningen (fig. A)

Den tilbagetrækkende afskærmning (5) beskytter mod utilsigtet kontakt med savklingen, og mod at savspåner flyver rundt. Inden brug skal det kontrolleres, om savklingens afskærmning fungerer korrekt. For at udføre dette skal du trække håndtaget (2) nedad og kontrollere følgende:

- Den tilbagetrækkende afskærmning (5) skal give adgang til savklingen (6) uden at komme i kontakt med andre dele.
- Når saven foldes op i startpositionen, skal den tilbagetrækkende afskærmning (5) automatisk dække hele savklingen (6).

Udskiftning af savklingen (fig. G)

Før du udfører arbejde på maskinen, skal du tage netstikket ud af strømforsyningen.



Bær beskyttelseshandsker ved montering af savklingen. Fare for personskade, når savklingen berøres.



Brug kun savklinger, der stemmer overens med de karakteristiske data, der er angivet i brugsanvisningerne. Brug kun savklinger, der er markeret med en hastighed lig med eller højere end hastigheden markeret på maskinen.



Brug under ingen omstændigheder slibeskiver som skæreværktøjet.

Inden savklingen udskiftes, anbefales det kraftigt at indstille geringsvinklen og den skrå vinkel til 0°. Ellers kan der være begrænset adgang.

Fiernelse af savklingen

1. Lås saven i opadrettet position ved at bruge positionslåseknappen (38);
2. Løsn fastgørelsesbolten (40) ved hjælp af en stjerneskrueetrækker, som vist på G1; ADVARSEL! Fjern ikke fastgørelsesbolten (40) helt, men løsn den kun.
3. Før den bevægelige beskyttelsesafskærmning (5) opad, indtil der er fri adgang til spændebolten (42), som vist på figur G2;
4. Isæt unbrakonøglen i spændebolten (42). Slip den bevægelige beskyttelsesafskærmning (5); den bevæger sig nedad mod unbrakonøglen.
5. Drej spændebolten (42) med unbrakonøglen (34) og tryk samtidig på spindellåsen (43), indtil den går i indgreb.
6. Hold godt fast i spindellåsen (43) og løsn spændebolten (42) ved at dreje den med uret (venstre gevind).
7. Fjern spændebolten (42) og spændeflangens (41). Derefter kan savklingen (6) fjernes.

Montering af savklingen

Ved montering af savklingen skal du sørge for, at tændernes skæreretning (pilens retning på savklingen) stemmer overens med pilens retning på afskærmningen (4).



Når du monterer savklingen (6), skal du se efter, at den drejer frit i snitpladen (13) i både 0° og 45° vinkelindstillinger.

1. Rengør savklingen og alle spændedele, der skal monteres.
2. Løsn fastgørelsesbolten (40) ved hjælp af en stjerneskrueetrækker, som vist på G1; ADVARSEL! Fjern ikke fastgørelsesbolten (40) helt, men løsn den kun.
3. Før den bevægelige beskyttelsesafskærmning (5) opad, indtil der er fri adgang til spændebolten (42), som vist på figur G2;
4. Isæt unbrakonøglen i spændebolten (42). Slip den bevægelige beskyttelsesafskærmning (5); den bevæger sig nedad mod unbrakonøglen.
5. Montér spændeflangens (41). Sørg for, at de flade sider på spændeflangens stemmer overens med de flade sider på klingeskafte. Sørg også for, at spændeflangens konvekse side er monteret udvendigt.
6. Montér spændebolten (42) og drej den med unbrakonøglen, mens du samtidig trykker på spindellåsen (43), indtil den går i indgreb.
7. Hold godt fast i spindellåsen (43) og fastgør spændebolten (42) ved at dreje den mod uret.

Støvdugning (fig. A, B, W, X)

Sørg for god ventilation på arbejdspladsen.



Bær støvbeskyttelse.

Støv fra materialer som blymaling og nogle træsorter kan være sundhedsskadeligt. Indånding af dette støv kan forårsage allergiske reaktioner og/eller forårsage luftvejslidelser hos brugeren eller mennesker i nærheden. Nogle typer støv, såsom ege- eller bøgestøv, er klassificeret som kræftfremkaldende, især i forbindelse med træbehandlingsstoffer (kromat, træbeskyttelsesmiddel). Vi anbefaler kraftigt at bruge et støvdugningssystem, som er velegnet til materialet, hvor det er muligt.



Undgå støvophobning på arbejdspladsen. Støv kan let blive antændt.

Støvdugningssystemet kan blive blokeret af støv, flis eller fragmenter af arbejdsemnet. Det skal derfor rengøres regelmæssigt. Gør det på følgende måde:

1. Frakobl netstikket fra strømforsyningen.
2. Vent, indtil savklingen er standset helt.
3. Fjern om nødvendigt evt. blokering

Montering af støvposen (fig. W)

Tryk støvposens (26) klemme ind, og skub den på støvudgangen (28) på bagsiden af maskinen. Støvposens holdes fast, når klemmen frigives.

Tilslutning af en støvsuger (fig. X)



Støvsugeren skal være velegnet til det materiale, der bearbejdes.



Når der støvsuges tørt støv, der er særligt sundhedsskadeligt eller kræftfremkaldende, skal du bruge en speciel støvudsuger.

Der kan sluttes en støvsugerslange til støvudgangen (28). For at gøre dette skal du blot slutte støvsugerslangen til støvudsugningstuden.

4. BETJENING



Inden du tænder maskinen, skal du altid kontrollere, at savklingen er korrekt monteret. Klingen skal dreje jævnt.



Kontroller altid afskærmningerne før brug.



Ved alle snit skal det først sikres, at savklingen på intet tidspunkt kan komme i kontakt med indhegningen, emnetangen eller andre maskindele. Fjern eventuelle monterede hjælppestop eller juster dem i henhold hertil.

Understøttelse af arbejdsemnet (fig. H)

Arbejdsemner skal altid understøttes korrekt. Bordforlængelserne (10) kan forlænges til venstre og højre for at understøtte et arbejdsemne. Gør det på følgende måde:

1. Løsn låsebolten til bordforlængelsen (34);
2. Flyt bordforlængelsen (10) til den ønskede position;
3. Spænd låsebolten til bordforlængelsen (34) fast.

Når der saves ekstra lange arbejdsemner, skal den frie ende af lange arbejdsemner have placeret noget ekstra under den eller understøttes.

Fastklemning af arbejdsemnet (fig. H)

Arbejdsemner skal altid fastklemmes godt. Klemmeanordningen til arbejdsemnet (21) kan placeres til venstre og højre for arbejdsemnet. Gør det på følgende måde:

1. Sørg for, at arbejdsemnet er presset godt imod anslaget (9);
2. Isæt den medfølgende klemmeanordning til arbejdsemnet (21) i et af hullerne, der er beregnet til dette formål, som vist på fig. H;
3. Juster gevindstangen på klemmeanordningen til arbejdsemnet (21) til arbejdsemnets højde;
4. Stram gevindstangen på emnetangen (21) godt for at sætte arbejdsemnet på plads. For at løse den skal du blot løsne gevindstangen på klemmeanordningen til arbejdsemnet (21).

Knappen til klemmeanordningen til arbejdsemnet (44) kan bruges til at justere højden på klemmeanordningen til arbejdsemnet (21) hurtigere. Spænd altid gevindstangen på klemmeanordningen til arbejdsemnet (21) godt fast for at fastgøre arbejdsemnet, efter du har justeret højden.

Justering af anslag (fig. H)



Juster altid indhegningen til den specifikke snittype.

Når du saver geringsvinkler og/eller skrå vinkler, skal du flytte det justerbare anslag (7) afhængigt af skæreretningen. På denne måde understøttes arbejdsemnet altid korrekt af anslaget under alle forhold. Gør det på følgende måde:

1. Løsn låsebolten til den justerbare anslag (35);
2. Juster anslaget i henhold til det ønskede snit. Ved gerings- eller lige snit skal anslaget flyttes indad mod klingens (maks. 8 mm) uden at røre ved den. Ved skråsnit skal anslaget flyttes udad og væk fra klingens (maks. 8 mm) uden at røre ved den;
3. Spænd låsebolten til det justerbare anslag (35) fast;
4. For at sikre, at klingens ikke kommer i kontakt med de justerbare anslag (35), anbefales det at foretage en testkørsel af klingens bevægelser, uden at tænde for maskinen.

Justering af geringsvinklen (fig. H)

Geringsvinklen kan justeres mellem 45° til venstre og 45° til højre. For hurtig og præcis indstilling af almindeligt anvendte geringsvinkler, er der forudindstillinger på savbordet ved vinklerne 0°, 15°, 22,5°, 30° og 45°.

Justering af geringsvinklen til en forudindstilling:

1. Løsn knappen til geringsjustering (14);
2. Træk grebet til geringsjustering (15) og roter bordet (11) til venstre eller højre til den ønskede forudindstilling. Vinklen kan aflæses på skalaen for geringsvinkel (16) ved hjælp af indikatoren for geringsvinkel (17).
3. Slip grebet. Det skal føles, at grebet kobler ind i forudindstillingens pal.
4. Spænd knappen til geringsjustering (14) fast.

Justering af geringsvinklen til en påkrævet vinkel:

1. Løsn knappen til geringsjustering (14);
2. Træk grebet til geringsjustering (15) og roter bordet (11) til venstre eller højre til den ønskede position. Vinklen kan aflæses på skalaen for geringsvinkel (16) ved hjælp af indikatoren for geringsvinkel (17).
3. Slip grebet, og spænd knappen til geringsjustering (14) fast.

Justering af den skrå vinkel (fig. A, B)

Den skrå vinkel kan indstilles mellem 0° og +45° til venstre. Gør det på følgende måde:

1. Løsn justeringsknappen til skrå justering (22);
2. Vip saven ved at anvende håndtaget (2), indtil indikatoren (19) viser den ønskede position på skalaen for den skrå vinkel (20);
3. Spænd justeringsknappen til skrå justering (22) fast.

Sådan tændes/slukkes maskinen (fig. A)

- Start maskinen ved at trykke og holde på oplås-knappen (1) for at låse op for beskyttelses-afskærmningen og trykke på tænd/sluk-kontakten (3).
- Stop maskinen ved at slippe tænd/sluk-kontakten (3).

Udførelse et tværsnit (fig. I, J)

Følg disse trin for at skære vinkelret med træets åre:

1. Juster geringsvinklen og den skrå vinkel til 0°;
2. Flyt det justerbare anslag til den indvendige position, mod klingens. Den maksimale afstand mellem det justerbare anslag (35) og savklingen (6) er 8mm, som vist på figur J. Sørg for, at anslaget ikke berører klingens.
3. Spænd arbejdsemnet godt fast;
4. Tænd for maskinen. Sørg for, at savklingen har opnået fuld hastighed;

5. Bring nu håndtaget langsomt nedad, så savklingen skærer gennem arbejdsemnet og passerer gennem sprækken i bordet. Anvend ikke meget tryk på saven. Lad maskinen gøre arbejdet;
6. Bring håndtaget forsigtigt op igen, og sluk det ved at slippe kontakten.

Udførelse et geringsnit (fig. J, K)

Følg disse trin for at lave et skråsnit på træets overflade:

1. Juster geringsvinklen til den ønskede position og den skrå vinkel til 0°;
2. Flyt det justerbare anslag til den indvendige position, mod klingens. Den maksimale afstand mellem det justerbare anslag (35) og savklingen (6) er 8mm, som vist på figur J. Sørg for, at anslaget ikke berører klingens.
3. Spænd arbejdsemnet godt fast;
4. Tænd for maskinen. Sørg for, at savklingen har opnået fuld hastighed;
5. Bring nu håndtaget langsomt nedad, så savklingen skærer gennem arbejdsemnet og passerer gennem sprækken i bordet. Anvend ikke meget tryk på saven. Lad maskinen gøre arbejdet;
6. Bring håndtaget forsigtigt op igen, og sluk det ved at slippe kontakten.

Udførelse et skråsnit (fig. L, M)

Følg disse trin for at lave et skråsnit på træets kant:

1. Juster geringsvinklen 0° og den skrå vinkel til den ønskede position;
2. Flyt det justerbare anslag til den ydre position, væk fra klingens. Den maksimale afstand mellem det justerbare anslag (35) og savklingen (6) er på 8mm, som vist på figur M. Sørg for, at anslaget ikke berører klingens.
3. Spænd arbejdsemnet godt fast. Sørg for, at klemmeanordningen til arbejdsemnet er placeret på den højre side;
4. Tænd for maskinen. Sørg for, at savklingen har opnået fuld hastighed;
5. Bring nu håndtaget langsomt nedad, så savklingen skærer gennem arbejdsemnet og passerer gennem sprækken i bordet. Anvend ikke meget tryk på saven. Lad maskinen gøre arbejdet;
6. Bring håndtaget forsigtigt op igen, og sluk det ved at slippe kontakten.

Udførelse et sammensat snit (fig. M, N)

Følg disse trin for at lave en kombination af gerings- og skråsnit:

1. Juster geringsvinklen og den skrå vinkel til den ønskede position;
2. Flyt det justerbare anslag til den ydre position, væk fra klingens. Den maksimale afstand mellem det justerbare anslag (35) og savklingen (6) er på 8mm, som vist på fig. M. Sørg for, at anslaget ikke berører klingens.
3. Spænd arbejdsemnet godt fast. Sørg for, at klemmeanordningen til arbejdsemnet er placeret på den højre side;
4. Tænd for maskinen. Sørg for, at savklingen har opnået fuld hastighed;
5. Bring nu håndtaget langsomt nedad, så savklingen skærer gennem arbejdsemnet og passerer gennem sprækken i bordet. Anvend ikke meget tryk på saven. Lad maskinen gøre arbejdet;
6. Bring håndtaget forsigtigt op igen, og sluk det ved at slippe kontakten.

Brug af glidefunktionen

Til ekstra brede arbejdsemner er maskinen udstyret med en glidefunktion. Når du bruger glidefunktionen, skal du sørge for at løsne låsebolten til glideskinner (29). Træk håndtaget (2) væk fra anslaget (9), indtil savklingen befinder sig foran arbejdsemnet. Før langsomt værktøjsarmen nedad ved hjælp af håndtaget og skub derefter håndtaget (2) mod anslaget (9) og sav gennem arbejdsemnet med en ensartet bevægelse.

For små arbejdsemner er det muligt at fastgøre glidefunktionen i savens bagerste position med låsebolten til glideskinner (29). Hvis der ønskes mere skærebredde, er det nødvendigt at løsne låsebolten til glideskinner (29).

Brug af længdestoppet (fig. O)

Længdestoppet (8) på både de venstre og højre bordforlængelser (10) kan bruges, så det er nemt at save arbejdsemner til den samme længde.

1. Flyt længdestoppet (8) opad;
2. Løsn låsebolten til bordforlængelsen (34);
3. Juster bordforlængelsen (10) til den påkrævede længde.
4. Spænd låsebolten til bordforlængelsen (34) fast.

Justering af dybdestop (fig. P)

Dybdestoppet kan justeres for at begrænse skæredybden. Dette kan bruges, så det er nemt at save en rille. Gør det på følgende måde:

1. Løsn fingermøtrikken til dybdejustering (45);

2. Juster knappen til dybdejustering (24) til den ønskede dybde;
3. Spænd fingermøtrikken til dybdejustering (45) fast.

Tænd/sluk laseren (fig. B)

Tryk på laserkontakten (46) for at tænde eller slukke for laseren. Laserkontakten (46) tænder også for LED-arbejdslyset.

Finjustering



Inden eventuelt justeringsarbejde skal du trække netstikket ud af kontakten.

For at sikre præcise snit skal savens grundindstillinger kontrolleres og justeres før første brug samt efter intensiv brug. Der kræves velegnede specialværktøjer til dette. Vonroc eftersalg vil hjælpe dig med at håndtere dette arbejde hurtigt og pålideligt.

Finjustering af laseren (fig. Q)

Bemærk: For at teste laserfunktionen skal el-værktøjet forbindes til strømforsyningen.



Mens du justerer laseren (f.eks. når du bevæger værktøjsarmen), må du aldrig aktivere tænd/sluk-knappen. Utsigtet start af elværktøjet kan føre til personskader.

Hvis laseren (18) stopper med at indikere den rigtige skærelinje, kan du genjustere laseren. Gør det på følgende måde:

1. Løsn laserjusteringsskruerne (48) og indstil laseren ved at flytte den, indtil laserstrålen rammer tænderne på savklingen (6);
2. Stram laserjusteringsskruerne (48).

Finjustering af 0° den skrå vinkel (fig. R, S)

1. Juster gerings- og den skrå vinkel til 0°;
2. Sænk håndtaget (2) og fastgør det ved hjælp af positionslåseknappen (38);
3. Lås glidebevægelsen ved hjælp af låsebolten til glideskinner (29);
4. Indstil en vinkelmåler til 90°, og anbring den på bordet (11), som vist på figur S. Vinkelmålerens ben skal flugte med savklingen (6) i hele længden;
5. Løsn låsemøtrikken til 0° skrå vinkel (50);
6. Juster stopbolten til 0° skrå vinkel (32), indtil vinkelmålerens ben flugter med savklingen i hele længden;
7. Spænd låsemøtrikken til 0° skrå vinkel (50).

Kontroller derefter vinkelindikatorens (19) position. Løsn om nødvendigt viseren ved hjælp af en stjerneskruetrækker, indstil til position 0° på skalaen for den skrå vinkel (20) og spænd fastgørelsesskruen fast.

Finjustering af 45° den skrå vinkel (fig. R, T)

1. Juster gerings- og den skrå vinkel til 45°;
2. Sænk håndtaget (2) og fastgør det ved hjælp af positionslåseknappen (38);
3. Lås glidebevægelsen ved hjælp af låsebolten til glideskinner (29);
4. Indstil en vinkelmåler til 90°, og anbring den på bordet (11), som vist på figur T. Vinkelmålerens ben skal flugte med savklingen (6) i hele længden;
5. Løsn låsemøtrikken til 45° skrå vinkel (49);
6. Juster stopbolten til 45° skrå vinkel (31), indtil vinkelmålerens ben flugter med savklingen i hele længden;
7. Spænd låsemøtrikken til 45° skrå vinkel (49).

Kontroller derefter vinkelindikatorens (19) position. Løsn om nødvendigt viseren ved hjælp af en stjerneskruetrækker, indstil til position 45° på skalaen for den skrå vinkel (20) og spænd fastgørelsesskruen fast.

Finjustering af 0° geringsvinklen (fig. U, V)

1. Indstil en vinkelmåler til 0° på bordet (11), og placer den mellem anslaget (9) og savklingen (6);
2. Vinkelmålerens ben skal flugte med savklingen (6) i hele længden;
3. Løsn låsebolten til justerbart anslag (35), og løsn derefter sikkerhedsboltene til justerbart anslag (36).
4. Fjern både venstre og højre justerbare anslag (7), så anslagsboltene (51) bliver synlige.
5. Løsn alle fire anslagsbolte (51) og juster anslaget (9), indtil vinkelmålerens ben flugter med savklingen i hele længden;
6. Spænd alle fire anslagsbolte (51) fast igen. Kontroller derefter vinkelindikatorens (17) position. Løsn om nødvendigt viseren ved hjælp af en stjerneskruetrækker, indstil til position 0° på skalaen for geringsvinkel (16) og spænd fastgørelsesskruen fast.
7. Monter både venstre og højre justerbare anslag (7).
8. Stram låsebolten til justerbart anslag (35), og stram derefter sikkerhedsboltene til justerbart anslag (36).

5. VEDLIGEHOLDELSE



Sørg altid for, at maskinen ikke er sluttet til elnettet, når du udfører vedligeholdelse af mekanismen.

Rengør maskinbeklædningerne regelmæssigt med en blød klud, helst efter hver anvendelse. Sørg for, at der ikke er støv eller snavs i ventilationsåbningerne. Fjern snavs, der sidder meget godt fast, med en blød klud, der er fugtet i sæbevand. Brug ikke opløsningsmidler, som f.eks. benzin, sprit, ammoniak osv. Kemikalier som disse beskadiger de syntetiske komponenter.

Rengøring af afskærmningerne

Kontroller afskærmningen (4) og den tilbagetrækkende afskærmning (5) for snavs, inden du bruger maskinen. Fjern gammelt savsmuld og splinter ved hjælp af en børste eller et lignende værktøj.

Udskiftning af bordindsatsen



Udskift straks beskadigede bordindsatser.

Med en beskadiget bordindsats (13) er der en risiko for, at små dele sætter sig fast mellem bordindsatsen og savklingen, så savklingen blokeres. For at udskifte bordindsatsen:

1. Fjern bordindsatsens skruer ved hjælp af en Philips skruetrækker. Juster om ønsket gerings- og den skrå vinkel for at få adgang til disse skruer;
2. Fjern bordindsats;
3. Installer ny bordindsats;
4. Stram skruerne ved hjælp af en Philips skrue-trækker.

Glideskinner

Snavs kan beskadige glideskinnerne (25) og dermed maskinens drift.

- Rengør glideskinnerne regelmæssigt med en blød klud;
- Dryp lidt smørelie på glideskinnerne;
- Flyt geringsraven frem og tilbage, så olien bliver spredt over hele skinnerne.

MILJØ



Defekte og/eller bortsøffede elektriske og elektroniske apparater skal afleveres på en passende genbrugsstation.

Kun for lande i EU

Maskinværktøj må ikke bortskaffes sammen med husholdningsaffald. Ifølge EU-direktiv 2012/19/EU om affald af elektrisk og elektronisk udstyr og dets gennemførelse i den nationale lovgivning skal maskinværktøjer, der ikke længere anvendes, afleveres separat og bortskaffes på en miljøvenlig måde.

GARANTI

VONROC-produkter er udviklet til de højeste kvalitetsstandarder og er garanteret fri for defekter i både materialer og udførelse i den periode, der er retsligt angivet fra datoen for det originale køb. Hvis produktet skulle udvikle fejl i denne periode på grund af defekt materiale og/eller udførelse, bedes du kontakte VONROC direkte.

Følgende omstændigheder er udelukket fra denne garanti:

- Uautoriserede servicecentre har foretaget eller gjort forsøg på at foretage reparationer og/eller ændringer på maskinen;
- Normal slitage;
- Værktøjet er blevet misbrugt, brugt forkert eller ikke passende vedligeholdt;
- Der er anvendt ikke-originale reservedele.

Dette udgør den eneste garanti, virksomheden har givet, enten udtrykt eller underforstået. Der er ingen andre garantier, udtrykt eller underforstået, som strækker sig ud over denne, herunder de underforståede garantier for salgbarhed og egnethed til et bestemt formål. Under ingen omstændigheder skal VONROC holdes ansvarlig for tilfældige skader eller følgeskader. Forhandlerens retsmidler skal være begrænset til reparation eller udskiftning af enheder eller dele, der ikke overholder kravene.

Produktet og brugervejledningen er genstand for ændringer. Specifikationer kan ændres uden yderligere varsel.

1. INSTRUKCJE BEZPIECZEŃSTWA

Należy zapoznać się z ostrzeżeniami dotyczącymi bezpieczeństwa, dodatkowymi ostrzeżeniami i instrukcjami. Niestosowanie się do ostrzeżeń dotyczących bezpieczeństwa może zakończyć się porażeniem przez prąd, pożarem i/lub poważnymi obrażeniami ciała. Ostrzeżenia dotyczące bezpieczeństwa oraz instrukcję należy przechowywać w dostępnym miejscu.

W podręczniku użytkownika urządzenia lub na urządzeniu umieszczono następujące symbole:



Przeczytać instrukcję obsługi.



W razie nie przestrzegania danej instrukcji obsługi może powstać ryzyko zranienia oraz zgnięcia personelu lub uszkodzenia narzędzia.



Ryzyko porażenia prądem.



Nie dopuszczać innych osób.



Nosić ochronę przeciwpyłową.



Ochroniać uszy.



Nosić okulary ochronne.



Uwaga: Promieniowanie laserowe. Nie patrzeć w wiązkę. Laser klasy 2.



Nie zbliżaj ręk do obszaru cięcia uruchomionego elektronarzędzia. Dotknięcie tarczy może prowadzić do obrażeń ciała.



Obszar niebezpieczny! Nie zbliżaj ręk, palców ani ramion do tego obszaru



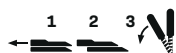
Transportować narzędzie wyłącznie złożone do środka do pozycji transportowej.



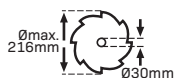
Maszyna klasy II - Podwójna izolacja - Nie trzeba stosować wtyczek z uziemieniem.



Urządzenie jest zgodne z odpowiednimi normami bezpieczeństwa zawartymi w dyrektywach europejskich.



Regulowana przegroda musi być wysunięta na zewnątrz podczas cięcia ukosowego/skośniego.



Uwzględnij wymiary ostrza tnącego. Średnica otworu musi pasować do wrzeciona narzędzia bez luzu. Jeśli konieczne jest użycie wkładek redukujących, dopilnować, aby wymiary wkładki były odpowiednie dla grubości tarczy i średnicy otworu pilarki oraz średnicy wrzeciona narzędzia. Kiedy to możliwe, używać wkładek redukujących dołączonych do pilarki. Średnica tarczy pilarki musi być zgodna z informacjami podanymi na symbolu.

OGÓLNE ZALECENIA DOTYCZĄCE BEZPIECZEŃSTWA



UWAGA! Przeczytać wszystkie ostrzeżenia dotyczące bezpieczeństwa, ilustracje oraz dane techniczne dołączone do tego elektronarzędzia. Nieprzestrzeganie wszystkich instrukcji podanych poniżej może prowadzić do porażenia prądem, pożaru i/lub poważnych obrażeń ciała.

Zachowaj poniższe instrukcje.

Termin „elektronarzędzia akumulatorowe” we wszystkich ostrzeżeniach zamieszczonych poniżej odnosi się do elektronarzędzi akumulatorowych zasilanych sieciowo (przewodowych) lub elektronarzędzi akumulatorowych działających na baterie (beprzewodowych).

1) Obszar roboczy

- Obszar roboczy należy utrzymywać w czystości.** Powinien on być dobrze oświetlony. Nieład i złe oświetlenie mogą z łatwością doprowadzić do wypadku.
- Nie korzystaj z elektronarzędzi akumulatorowych w warunkach, w których łatwo może dojść do wybuchu, np. w obecności łatwopalnych cieczy, gazów lub pyłu.** Podczas pracy elektronarzędzi akumulatorowych powstają iskry, które mogą doprowadzić do zapłonu pyłu lub oparów.

- Dzieci i inne osoby postronne powinny pozostać w bezpiecznej odległości od pracującego urządzenia.** Rozproszenie uwagi może spowodować utratę kontroli nad urządzeniem.

2) Bezpieczeństwo związane z elektrycznością

- Wtyczki elektronarzędzi akumulatorowych muszą być odpowiednie do danego gniazda. Pod żadnym pozorem nie należy modyfikować wtyczki w jakikolwiek sposób. Nie należy używać adapterów, które uziemiają elektronarzędzia akumulatorowe.** Stosowanie wtyczek nie poddanych modyfikacjom oraz odpowiednich gniazd zmniejsza ryzyko porażenia prądem.
- Należy unikać bezpośredniego kontaktu fizycznego z powierzchniami uziemionymi, takimi jak rury, grzejniki, kuchenki, lodówki.** Ryzyko porażenia prądem jest większe, jeśli ciało osoby obsługującej urządzenie jest uziemione.
- Nie należy wystawiać elektronarzędzi akumulatorowych na działanie deszczu lub wilgoci.** Dostanie się wody do wnętrza elektronarzędzia akumulatorowego zwiększy ryzyko porażenia prądem.
- Nie należy używać przewodu w niewłaściwy sposób. Pod żadnym pozorem nie należy wykorzystywać przewodu do przenoszenia lub ciągnięcia elektronarzędzia akumulatorowego, ani do jego odłączania od sieci. Przewodu nie należy wystawiać na działanie ciepła, smarów. Powinien on znajdować się w bezpiecznej odległości od ostrych krawędzi i części ruchomych.** Przewody uszkodzone lub poplątane zwiększają ryzyko porażenia prądem.
- Podczas korzystania z elektronarzędzia akumulatorowego na wolnym powietrzu, należy używać przewodu przedłużacza przystosowanego do użytku na zewnątrz.** Używanie przewodu nadającego się do użytku na wolnym powietrzu zmniejsza ryzyko porażenia prądem.
- Jeśli obsługa elektronarzędzia w wilgotnym miejscu jest nieunikniona, użyć zasilania wyposażonego w wyłącznik różnicowo-prądowy.** Użycie wyłącznika różnicowo-prądowego zmniejsza ryzyko porażenia prądem.

3) Bezpieczeństwo osoby obsługującej urządzenie

- Przez cały czas należy mieć się na baczności, uważać na to, co się robi, a w czasie obsługi elektronarzędzia akumulatorowego postępować mając na uwadze zdrowy rozsądek. Urządzenia nie powinny obsługiwać osoby zmęczone lub**

- będące pod wpływem narkotyków, alkoholu lub leków.** Chwila nieuwagi w czasie obsługi elektronarzędzi akumulatorowych może być przyczyną powstania poważnych obrażeń ciała.
- b) **Należy korzystać ze sprzętu ochronnego oraz zawsze nosić okulary ochronne.** Sprzęt ochronny, jak na przykład maska przeciwpyłowa, antypoślizgowe obuwie ochronne, kask lub słuchawki ochronne używane we właściwych sytuacjach pozwolą na zmniejszenie ryzyka obrażeń ciała.
- c) **Unikać niezamierzonego uruchomienia. Przed podłączeniem urządzenia do sieci, zawsze sprawdzić, czy przełącznik znajduje się w pozycji „wyłączony”.** Przenoszenie elektronarzędzi z palcem na przełączniku lub włączonych elektronarzędzi z przełącznikiem w położeniu włączenia jest bardzo niebezpieczne i może powodować wypadki.
- d) **Przed włączeniem elektronarzędzia akumulatorowego należy usunąć z niego wszystkie klucze nastawcze lub maszynowe.** Pozostawienie klucza zamocowanego na jednej z części obrotowych urządzenia może spowodować powstanie obrażeń ciała.
- e) **Nie należy sięgać ponad urządzeniem. Przez cały czas należy zachować odpowiednią równowagę i zapewnić odpowiednie oparcie dla stóp.** Pozwoli to na lepsze kontrolowanie urządzenia w nieoczekiwanych sytuacjach.
- f) **Należy nosić odpowiednie ubranie. Do pracy z urządzeniem nie wkładać luźnych ubrań ani biżuterii. Włosy, ubranie trzymać z dala od części ruchomych.** Luźne części ubrania, biżuteria lub długie włosy mogą zostać wciągnięte przez części ruchome.
- g) **Jeśli w urządzeniu przewidziano elementy służące do odprowadzania i zbierania pyłu, należy sprawdzić, czy są podłączone, i czy działają we właściwy sposób.** Korzystanie z tego typu elementów pozwala ograniczyć ryzyko związane z wydzielaniem pyłu podczas pracy urządzenia.
- h) **Nie zezwalać na to, aby rutyna związana z częstym korzystaniem z narzędzi powodowała nadmierną pewność siebie i ignorowanie zasad bezpiecznego korzystania z narzędzi.** Nieodpowiedzialne działanie może spowodować poważne obrażenia ciała w ułamku sekundy.
- 4) **Obsługa i konserwacja elektronarzędzi akumulatorowych**
- a) **Urządzenia nie należy przeciążać. Należy korzystać z narzędzia odpowiedniego do danego typu pracy.** Odpowiednio dobrane urządzenie pozwoli na lepsze i bezpieczniejsze wykonanie pracy, we właściwym dla urządzenia tempie.
- b) **Z elektronarzędzia akumulatorowego nie należy korzystać, jeśli nie można go wyłączyć i wyłączyć przy pomocy przełącznika.** Urządzenie, którego nie można kontrolować używając przełącznika jest niebezpieczne i powinno być oddane do naprawy.
- c) **Odlączyć wtyczkę od źródła zasilania i/lub wyjąć akumulator od elektronarzędzia, jeśli jest wyjmowany, przed rozpoczęciem przeprowadzania jakichkolwiek regulacji, wymianą akcesoriów lub rozpoczęciem przechowywania elektronarzędzia.** Tego typu środki ostrożności zmniejszają ryzyko przypadkowego uruchomienia urządzenia.
- d) **Nieczyste elektronarzędzia akumulatorowe należy przechowywać poza zasięgiem dzieci. Nie należy pozwolić, aby osoby nie znające urządzenia lub niniejszych instrukcji obsługi ważyły urządzenie.** Elektronarzędzia akumulatorowe w rękach niekompetentnych użytkowników stanowią zagrożenie.
- e) **Prawidłowo konserwować elektronarzędzia i akcesoria. Należy sprawdzać, czy części ruchome są właściwie założone, i czy się nie zacinają. Należy również sprawdzać, czy jakieś części nie są uszkodzone oraz sprawdzać wszelkie inne elementy, które mogą wpłynąć na pracę urządzeń. Jeśli urządzenie jest uszkodzone, przed przystąpieniem do jego użytkowania, należy je naprawić.** Często przyczyną wypadków jest zły stan techniczny urządzeń.
- f) **Narzędzia służące do cięcia powinny być naostrzone i utrzymywane w czystości.** Jeśli narzędzia służące do cięcia, które posiadają ostre krawędzie tnące, są właściwie konserwowane, istnieje mniejsze prawdopodobieństwo ich zacinania się. Ponadto, łatwiej je kontrolować.
- g) **Elektronarzędzia akumulatorowego, akcesoriów, nakładek, itp. należy używać zgodnie z niniejszymi instrukcjami oraz w sposób właściwy dla danego rodzaju urządzenia, z uwzględnieniem warunków pracy oraz jej rodzaju.** Używanie urządzenia niezgodnie z przeznaczeniem może prowadzić do powstania sytuacji niebezpiecznych.

- h) **Uchwyty należy utrzymywać w stanie suchym, czystym i niezabrudzonym olejem lub smarem.** Śliskie uchwyty i powierzchnie do chwytania nie pozwalają na bezpieczne obchodzenie się z narzędziem i panowanie nad nim w nieoczekiwanych sytuacjach.

5) Serwis

- a) **Zlecać serwisowanie elektronarzędzie wykwalifikowanemu technikowi stosującymi jedynie części zamienne identyczne z oryginalnymi.** Zapewni to zachowanie bezpieczeństwa elektronarzędzia.

SZCZEGÓLWE INSTRUKCJE BEZPIECZEŃSTWA

- **Piłarki ukosowe są przeznaczone do przecinania drewna lub produktów drewnopodobnych i nie można ich używać ze ściernymi tarczami do odcinania do cięcia materiałów żelaznych, jak metalowe pręty, bolce, listwy, teowniki itp.** Ścierny pył powoduje zacinanie się części ruchomych, takich jak osłona dolna. Iskry z cięcia ściernego spowodują przypalenie dolnej osłony, wkładki rzazu i innych części z tworzyw sztucznych.
- **Używać zacisków do mocowania obrabianego elementu, kiedykolwiek to możliwe. W przypadku podpierania obrabianego elementu ręką, trzymać dłoń zawsze w odległości co najmniej 100 mm od boku tarczy pilarki. Nie używać tej pilarki do przecinania elementów zbyt małych do bezpiecznego zaciśnięcia lub przytrzymywania ręką.** Jeśli dłoń znajdzie się za blisko tarczy pilarki, istnieje zwiększone ryzyko obrażeń ciała w wyniku styczności z tarczą.
- **Obrabiany element musi być unieruchomiony i zaciśnięty lub przytrzymany do przegrody i blatu. Nie wprowadzać obrabianego elementu w tarczę ani nie ciąć w żaden sposób „w powietrzu”.** Niezamocowany lub niezamocowany obrabiany element może zostać wyrzucony w powietrze z wysoką prędkością i spowodować obrażenia ciała.
- **Przepychać pilarkę przez obrabiany element. Nie ciągnąć pilarki przez obrabiany element. Aby wykonać cięcie, unieść głowicę pilarki i przełożyć ją nad obrabianym elementem bez cięcia, uruchomić silnik, nacisnąć głowicę pilarki w dół i przepchnąć pilarkę przez obrabiany element.** Cięcie podczas ciągnięcia może spowodować wspięcie się tarczy pilarki na powierzchnię obrabianego elementu i gwałtowne

- odrzućnię zespołu tarczy w stronę operatora.
- **Nigdy nie krzyżować dłoni nad przewidywaną linią cięcia przed lub za tarczą pilarki.** Podpieranie obrabianego elementu „na krzyż”, tzn. trzymanie obrabianego elementu po prawej stronie tarczy lewą ręką i vice versa jest bardzo niebezpieczne.
- **Nie sięgać poza przegrodę żadną ręką na odległość mniejszą niż 100 mm od boku tarczy w celu usunięcia wiórów lub z innego powodu, gdy tarcza się obraca.** Fakt, że wirująca tarcza znajduje się blisko dłoni, może nie być oczywisty, co może prowadzić do poważnych obrażeń ciała.
- **Sprawdzić obrabiany element przed rozpoczęciem cięcia.** Jeśli obrabiany element jest wygięty w łuk lub wykrzywiony, zacisnąć go stroną wygiętą (grzbietem łuku) w stronę przegrody. Zawsze dopilnować, aby między obrabianym elementem, przegrodą i blatem wzdłuż linii cięcia nie występowały żadne szczeliny. Zgięte lub wypaczone obrabiane elementy mogą się skręcać lub przesuwać, co może powodować utykanie wirującej tarczy podczas cięcia. W obrabianym elemencie nie mogą znajdować się żadne gwoździe ani inne ciała obce.
- **Nie używać pilarki do czasu oczyszczenia blatu z wszystkich narzędzi, wiórów itp. Na blacie może znajdować się wyłącznie obrabiany przedmiot.** Drobne resztki lub luźne kawałki drewna albo inne przedmioty stykające się z wirującą tarczą mogą zostać odrzucone z wysoką prędkością.
- **Ciąć tylko jeden obrabiany element naraz.** Obrabianych elementów ustawionych jeden na drugim nie można prawidłowo zacisnąć ani podeprzeć i mogą one blokować tarczę lub przesuwać się podczas pracy.
- **Przed użyciem dopilnować, aby pilarka została zamontowana lub ustawiona na poziomej i wytrzymałej powierzchni roboczej.** Pozioma i solidna powierzchnia robocza ogranicza ryzyko utraty stabilności pilarki ukosowej.
- **Zaplanować pracę. Po każdej zmianie ustawienia kąta cięcia ukosowego lub skośnego sprawdzić, czy regulowana przegroda jest ustawiona prawidłowo, tak aby podparła obrabiany element i nie kolidowała z tarczą lub układem osłon.** Nie włączając jeszcze narzędzia i nie umieszczając obrabianego elementu na blacie, wykonać pełen symulowany przebieg pilarką, aby upewnić się, że żadne elementy ze sobą nie kolidują i nie ma ryzyka przecięcia przegrody.
- **Zapewnić odpowiednie podparcie, jak przedu-**

żenia blatu, kozły itp. w przypadku obrabianych elementów szerszych lub dłuższych od blatu.

Obrabiane elementy dłuższe lub szersze od blatu pilarki mogą się przechylić, jeśli nie będą prawidłowo podparte. Jeśli odcinany element lub obrabiany element się przechyli, może to spowodować podniesienie osłony dolnej lub wyrzucenie tego elementu przez wirującą tarczę.

- **Nie korzystać z pomocy innej osoby zamiast przedłużenia blatu lub dodatkowego podparcia.** Niestabilne podparcie obrabianego elementu może spowodować utykanie tarczy lub przesuwanie się obrabianego elementu podczas cięcia, wciągając operatora i pomocnika w wirującą tarczę.
- **Odcinany element nie może zostać zablokowany ani dociśnięty w żaden sposób do wirującej tarczy.** Zablokowanie, np. blokadami przedłużenia, odcinanego elementu może spowodować jego utknięcie i oparcie o tarczę oraz jego gwałtowne odrzucenie.
- **Zawsze używać zacisku lub mocowania przeznaczonego do prawidłowego podpierania materiałów okrągłych, jak pręty lub rury.** Pręty zwykle toczą się podczas przecinania, przez co tarcza się na nie „wspina”, wciągając obrabiany element wraz z ręką operatora w tarczę.
- **Pozwolić tarczy osiągnąć maksymalną prędkość przed przyłożeniem do obrabianego elementu.** Ograniczy to ryzyko odrzucenia obrabianego elementu.
- **Jeśli dojdzie do utknięcia obrabianego elementu lub tarczy, wyłączyć pilarkę ukosową. Poczekać na zatrzymanie się wszystkich ruchomych części i odłączyć wtyczkę z gniazdka zasilania i/lub wyjąć akumulator. Następnie uwolnić zablokowany materiał.** Dalsze cięcie z zablokowanym obrabianym elementem może spowodować utratę panowania nad narzędziem lub jego uszkodzenie.
- **Po zakończeniu cięcia zwolnić włącznik, trzymać głowicę pilarki w dolnym położeniu i poczekać na zatrzymanie się tarczy przed wyjęciem odciętego elementu.** Sięganie dłonią w pobliże poruszającej się z rozpędu tarczy jest niebezpieczne.
- **Trzymać mocno uchwyt podczas wykonywania cięcia częściowego lub w przypadku zwalniania włącznika przed przestawieniem głowicy pilarki całkowicie w położenie dolne.** Hamowanie pilarki może spowodować nagłe pociągnięcie głowicy pilarki w dół, powodując ryzyko obrażeń ciała.

- **Utrzymywać miejsce pracy w czystości.** Kombinacje materiałów są szczególnie niebezpieczne. Lekki pył z obróbki metalu może się zapalić lub wybuchnąć.
- **Nie używać tępych, pękniętych, zgiętych lub uszkodzonych tarcz pilarki. Nienaostrome lub źle ustawione tarcze wytwarzają wąski rżaz i generują nadmierne tarcie, utykanie tarczy i odrzut.**
- **Nie używać tarcz pilarki wykonanych ze stali szybkoobrotowej (HSS).** Takie tarcze łatwo pękają.
- **Zawsze używać tarcz pilarki o właściwych wymiarach i o właściwych kształcie (trapezowym, a nie okrągłym) otworów w tarczy.** Tarcze niezgodne z osprzętem mocującym pilarki będą poruszać się mimochodowo, powodując utratę panowania nad narzędziem.
- **Nie zastępować wbudowanego lasera laserem innego typu.** Laser niezgodny z tym elektronarzędziem może powodować zagrożenie dla osób.
- **Nigdy nie usuwać wiórów, odciętych elementów itp. z obszaru cięcia, gdy elektronarzędzie pracuje.** Zawsze najpierw przestawić ramię narzędzia z powrotem w położenie neutralne i wyłączyć elektronarzędzie.
- **Nie dotykać tarczy pilarki po pracy, zanim tarcza nie ostygnie.** Tarcza bardzo silnie się nagrzewa podczas pracy.
- **Nigdy nie ograniczać czytelności oznaczeń ostrzegawczych na narzędziu.**
- **Jeśli wiązka lasera trafi w oko, zamknąć oczy i niezwłocznie odwrócić twarz od wiązki.**
- **Nie patrzeć na źródło promieniowania przez jakiegokolwiek przyrządy optyczne, jak lornetka.** Może to spowodować uszkodzenie wzroku.
- **Nie kierować wiązki lasera na osoby patrzące przez lornetkę lub podobny przyrząd.** Może to spowodować uszkodzenie ich wzroku.
- **Nie modyfikować osprzętu laserowego w żaden sposób.** Opcji ustawień opisanych w tej instrukcji można bezpiecznie używać.
- **Nie stawać w jednej linii z tarczą przed elektronarzędziem.** Zawsze stawać z boku tarczy pilarki. Pozwoli to chronić ciało przed rezultatami ewentualnego odrzutu.
- **Trzymać dłonie, palce i ramiona z dala od obracającej się tarczy.**
- **Nie krzyżować rąk przed ramieniem narzędzia.**
- **Unikać przegrzewania zębów pilarki.** Kiedy zęby pilarki się przegrzeją, zatrzymać narzędzie. Pozwolić tarczy pilarki ostygnąć przed ponownym użyciem narzędzia.

- **Niezwłocznie wymieniać uszkodzone lub zużyte tarcze.**
- **Używać wyłącznie tarcz zgodnych z parametrami podanymi w tej instrukcji obsługi i przetestowanych oraz oznaczonych zgodnie z EN 847-1.**
- **Podczas cięcia zakrzywionych lub okrągłych elementów należy je specjalnie zamocować i zabezpieczyć przed ślizganiem się. W linii cięcia nie mogą być żadne odstępy między obrabianym elementem a przegrodą i blatem pilarki. W razie potrzeby należy wykonać specjalne mocowania.**

Bezpieczeństwo elektryczne



Zawsze sprawdzać, czy napięcie zasilania jest zgodne z napięciem podanym na tabliczce znamionowej.

- Jeśli przewód sieciowy zostanie uszkodzony, należy go wymienić na specjalny przewód sieciowy dostępny w dziale obsługi klienta.
- Używać wyłącznie przedłużaczy przystosowanych do pracy z parametrami zasilania urządzenia o minimalnej grubości 1,5 mm². W przypadku korzystania z przedłużacza w zwoju, zawsze całkowicie rozwinać zwój.

2. INFORMACJE O MASZYNIE

Przeznaczenie

To elektronarzędzie jest przeznaczone do pracy jako maszyna nieruchoma wykonująca proste wzdłużne i poprzeczne cięcia w drewnie w kierunku zgodnym z jego włóknami i przeciwnym do jego włókien. Można wykonywać cięcia ukosowe pod kątem od -45° do +45° i cięcia skośne pod kątem od -0° do +45°. Elektronarzędzie z zamocowaną tarczą ma wystarczającą moc do cięcia drewna twardego i miękkiego oraz płyt wiórowych i pilśniowych. Tarcza nie jest przeznaczona do cięcia drewna opałowego. Nie używać pilarki do cięcia materiałów innych niż podane w instrukcji.

DANE TECHNICZNE

Nr modelu	MS504AC
Napięcie w sieci	220-240V ~
Częstotliwość w sieci	50 Hz
Pobór mocy	1800W S1 - 2200W S6 40%*
Prędkość bez obciążenia	5200/min
Kąt nachylenia	-45° <> +45°
Kąty skosu	-45° <> 0° w lewo, jeden kąt cięcia ukosowego
Dane techniczne tarczy:	
Średnica	Ø 216 mm
Grubość tarczy	1,6 mm
Szerokość cięcia	2,8 mm
Średnica otworu	Ø 30 mm
Liczba zębów	40T
Wymiary cięcia (wysokość x szerokość):	
Cięcie ukosowe 0° -	65 x 300 mm
Cięcie skośne 0°	
Cięcie ukosowe 0° -	38 x 300 mm
Cięcie skośne 45°	
Cięcie ukosowe 45° -	65 x 200 mm
Cięcie skośne 0°	
Cięcie ukosowe 45° -	38 x 200 mm
Cięcie skośne 45	
Minimalne wymiary obrabianego elementu	3 x 10 mm
Dane techniczne lasera:	
Klasa	2
Długość fali	650 nm
Moc	< 1 mW
Masa	14 kg
Lpa (Ciśnienie dźwięku)	98 dB(A) Kpa: 3 dB(A)
Lwa (Moc akustyczna)	111 dB(A) KWA: 3 dB(A)

* S6, cykl pracy ciągłej. Identyczne cykle pracy z okresem obciążenia, po którym następuje okres bez obciążenia. Czas pracy 10 minut; cykl pracy (obciążenia) to 40% czasu działania.

OPIS

Liczby w tekście odnoszą się do rysunków na stronach 2-7.

1. Przycisk odblokowania
2. Uchwyt
3. Przełącznik wł./wył.
4. Osłona ochronna
5. Chowana osłona ochronna
6. Tarcza
7. Regulowana przegroda
8. Ogranicznik długości
9. Przegroda
10. Przedłużenie blatu
11. Błat
12. Otwory montażowe
13. Płytki rzazu
14. Pokrętko regulacji cięcia ukosowego
15. Dźwignia regulacji cięcia ukosowego
16. Podziałka kąta cięcia ukosowego
17. Wskazówka kąta cięcia ukosowego
18. Laser
19. Wskazówka kąta cięcia skośnego
20. Podziałka kąta cięcia skośnego
21. Zacisk obrabianego przedmiotu
22. Pokrętko regulacji cięcia skośnego
23. Wałek
24. Śruba regulacji głębokości
25. Szyny do przesuwania
26. Torba na pył
27. Rączka do przenoszenia
28. Wylot pyłu
29. Śruba mocująca szyn do przesuwania
30. Ramię cięcia ukosowego
31. Śruba ograniczająca kąta cięcia skośnego 45°
32. Śruba ograniczająca kąta cięcia skośnego 0°
33. Śruba zabezpieczająca zacisku obrabianego przedmiotu
34. Śruba zabezpieczająca przedłużenia blatu
35. Śruba zabezpieczająca regulowanej przegrody
36. Śruba zabezpieczająca regulowanej przegrody
37. Ogranicznik przechyłania naprzód
38. Pokrętko blokady położenia
39. Pokrętko ramienia cięcia ukosowego
40. Śruba ustalająca
41. Kołnierzyk zaciskający
42. Śruba zaciskająca
43. Blokady wrzeciona
44. Pokrętko zacisku obrabianego przedmiotu
45. Nakrętka radełkowana do regulacji głębokości
46. Oświetlenie robocze LED
47. Śruba ramienia cięcia ukosowego
48. Śruby do regulacji lasera
49. Nakrętka zabezpieczająca kąta cięcia skośnego 45°

50. Nakrętka zabezpieczająca kąta cięcia skośnego 0°
51. Śruby przegrody
52. Uchwyt ramienia cięcia ukosowego

3. MONTAŻ



Przed montażem należy zawsze wyłączyć urządzenie i odłączyć od sieci zasilającej.

Odblokowanie pozycji roboczej (pozycja robocza)

1. Wcisnąć uchwyt (2) lekko w dół;
2. Pociągnąć pokrętko blokady położenia (38) całkowicie na zewnątrz i zablokować je w miejscu, obracając nim;
3. Powoli przestawić uchwyt (2) do góry.

Zablokowanie w pozycji transportowej (pozycja transportowa)

Przed zablokowaniem w pozycji transportowej, dopilnować, aby śruba regulacji głębokości (24) została ustawiona na nieograniczoną głębokość. Dzięki temu uchwyt (2) można przestawić do końca w dół bez dotykania ogranicznika głębokości. Poza tym usunąć wszystkie akcesoria, których nie można pewnie przymocować do narzędzia.

1. Poluzować śrubę mocującą szyn do przesuwania (29), jeśli jest dokręcona;
2. Pociągnąć uchwyt (2) naprzód do siebie i dokręcić śrubę mocującą szyn do przesuwania (29);
3. Wcisnąć uchwyt (2) do końca w dół;
4. Zablokować pokrętko blokady położenia (38), najpierw je pociągając, a potem nim obracając;
5. Zwinąć kabel zasilający do góry i związać go dołączonym do zestawu paskiem kabla.

Po zablokowaniu w pozycji transportowej, użyć rączki do przenoszenia (27) do bezpiecznego przenoszenia i transportowania maszyny.



Do przenoszenia używać wyłącznie rączki do przenoszenia i w tym celu nigdy nie używać osłon ochronnych.

Montaż ramienia cięcia ukosowego (rys. D, Y)

Przednią część powierzchni blatu, dalej zwaną ramieniem cięcia ukosowego (30), można zdemontować w celu uzyskania jeszcze mniejszych wymiarów zewnętrznych tej już kompaktowej pilarki ukosowej. Aby zmontować ramię cięcia ukosowego:

1. Odblokować pozycję transportową (do położenia roboczego);

2. Poluzować pokrętko regulacji cięcia ukosowego (14);
3. Obrócić blat (11) w lewo lub w prawo do ustawienia 0°. Kąt można odczytać z podziałki kąta cięcia ukosowego (16) za pomocą wskazówki kąta cięcia ukosowego (17);
4. Pociągnąć i przytrzymać pokrętko ramienia cięcia ukosowego (39) zgodnie z rysunkiem D1 jedną ręką;
5. Drugą ręką włożyć ramię cięcia ukosowego (30) na blat (11) zgodnie z rysunkiem D2, jednocześnie pociągając za dźwignię regulacji cięcia ukosowego (15). Dopilnować, aby końce ramienia cięcia ukosowego w kształcie odwróconego trójkąta (30) prawidłowo pasowały do wycięć w blacie (11) o takim samym kształcie;
6. Następnie zwolnić pokrętko ramienia cięcia ukosowego (39) i dźwignię regulacji cięcia ukosowego (15);
7. Zamocować ramienia cięcia ukosowego (30), dokręcając śrubę ramienia cięcia ukosowego (47) zgodnie z rysunkiem D-3.

Uwaga: zdemontowane ramię cięcia ukosowego (30) można przechowywać w uchwycie ramienia cięcia ukosowego (52) zgodnie z rysunkiem Y.

Instalacja narzędzia jako narzędzia stacjonarnego (Rys. A, B, D)

Aby zapewnić bezpieczną obsługę, elektronarzędzie musi być zamontowane na płaskiej i stabilnej powierzchni roboczej (np. stole warsztatowym) przed użyciem. Maszynę można zainstalować na trzy sposoby:

1. Na blacie roboczym

W tym przypadku maszynę należy przymocować do blatu roboczego odpowiednimi wkrętami/śrubami. Użyć w tym celu czterech otworów (12). Zgodnie z Rys. D.

2. Na ramie dolnej



Przeczytać wszystkie ostrzeżenie i instrukcje dołączone do stojaka pilarki. Nieprzestrzeganie ostrzeżeń oraz instrukcji może prowadzić do porażenia prądem, pożaru i/lub poważnych obrażeń ciała.



Prawidłowo zmontować stojak pilarki przed zamontowaniem na nim elektronarzędzia. Prawidłowy montaż jest ważny i pomaga ograniczać ryzyko przewrócenia się narzędzia.

W tym przypadku maszynę należy przymocować do ramy dolnej śrubami. Użyć w tym celu czterech otworów (12). Rama dolna musi zostać przymocowana 4 śrubami do płyty podłogowej o powierzchni co najmniej 1 metra kwadratowego. Zamocować elektronarzędzie na stojaku pilarki w pozycji transportowej.

3. Elastyczna instalacja



Producent nie zaleca instalacji tego typu.

Jeśli, w wyjątkowych okolicznościach, zamontowanie elektronarzędzia na płaskiej i stabilnej powierzchni roboczej jest niemożliwe, można improvizować, wykorzystując ograniczniki przechyłania.



Bez ogranicznika przechyłania elektronarzędzie będzie niestabilne i może się przechylać, szczególnie podczas cięcia pod maksymalnym kątem cięcia ukosowego i/lub skośnego.

- Tylna osłona pochylona jest przymocowana do podstawy maszyny i jej regulacja jest niemożliwa.
- Obracać ogranicznik przechyłania naprzód (37) do środka lub na zewnątrz zgodnie z rysunkiem F, aż elektronarzędzie będzie ustawione poziomo na powierzchni roboczej.

Kontrola osłony ochronnej (Rys. A)

Chowana osłona ochronna (5) chroni przed przypadkową stycznością z tarczą pilarki i wyrzucanymi wiórami. Przed użyciem należy sprawdzić, czy osłona tarczy działa prawidłowo. W tym celu pociągnąć uchwyt (2) w dół i sprawdzić, co następuje:

- Chowana osłona ochronna (5) musi zapewniać dostęp do tarczy pilarki (6) bez dotykania innych części.
- Podczas rozkładania pilarki do góry w położenie początkowe, chowana osłona ochronna (5) musi automatycznie zasłaniać całą tarczę pilarki (6).

Wymiana tarczy (Rys. G)



Przed montażem należy zawsze wyłączyć urządzenie i odłączyć od sieci zasilającej.



Podczas montażu tarczy nosić rękawice ochronne. Ryzyko obrażeń ciała w wyniku dotknięcia brzeszczota.



Używać wyłącznie tarcz zgodnych z danymi technicznymi podanymi w instrukcji. Stosuj wyłącznie tarcze z oznaczeniem prędkości równym lub wyższym niż oznaczenie prędkości podanej na maszynie.



Pod żadnym pozorem nie używać tarcz ściernych do cięcia.

Przed wymianą tarczy zaleca się ustawienie kąta cięcia ukosowego i kąta cięcia skośnego na 0°. W przeciwnym razie dostęp może być ograniczony.

Demontaż tarczy

1. Zablokować tarczę w górnym położeniu za pomocą pokrętki blokady położenia (38);
2. Poluzować śrubę ustalającą (40) za pomocą wkrętaka z końcówką krzyżową zgodnie z rysunkiem G1; **OSTRZEŻENIE!** Nie wykręcać całkowicie śruby ustalającej (40), lecz tylko ją poluzować.
3. Złożyć chowaną osłonę ochronną (5) do góry, aż do uzyskania swobodnego do śruby zaciskającej (42) zgodnie z rysunkiem G2;
4. Włożyć klucz imbusowy w śrubę zaciskającą (42). Chowaną osłonę ochronną (5) można zwolnić i złożyć na klucz imbusowy.
5. Obrócić śrubę zaciskającą (42) kluczem imbusowym (34), jednocześnie wciskając blokadę wrzeciona (43), aż zadziała.
6. Mocno trzymać blokadę wrzeciona (43) i poluzować śrubę zaciskającą (42), obracając ją zgodnie ze wskazówkami zegara (gwint lewy).
7. Zdemonstować śrubę zaciskającą (42) i kołnierzą zaciskającą (41). Następnie można zdjąć tarczę (6).

Montaż tarczy



Podczas mocowania tarczy pilarki dopilnować, aby kierunek cięcia zębów (strzałka na tarczy) był zgodny ze strzałką na osłonie (4).



Podczas mocowania tarczy (6) sprawdzić, czy obraca się ona swobodnie w płycie rzazu (13) przy ustawieniach 0° i 45°.

1. Oczyszczyć tarczę i wszystkie części zaciskające do zamontowania.
2. Poluzować śrubę ustalającą (40) za pomocą wkrętaka z końcówką krzyżową zgodnie z rysunkiem G1; **OSTRZEŻENIE!** Nie wykręcać całkowicie śruby ustalającej (40), lecz tylko ją poluzować.
3. Złożyć chowaną osłonę ochronną (5) do góry, aż do uzyskania swobodnego dostępu do śruby zaciskającej (42) zgodnie z rysunkiem G2;
4. Włożyć klucz imbusowy w śrubę zaciskającą (42). Chowaną osłonę ochronną (5) można zwolnić i złożyć na klucz imbusowy.
5. Zamontować kołnierzą zaciskającą (41). Dopilnować, aby płaskie boki kołnierza zaciskającego pasowały do płaskich boków wału tarczy. Dopilnować również, aby wklęsła strona kołnierza zaciskającego była skierowana na zewnątrz.
6. Zamontować śrubę zaciskającą (42) i obracać ją kluczem imbusowym, jednocześnie dociskając blokadę wrzeciona (43), aż zadziała.
7. Mocno trzymać blokadę wrzeciona (43) i dokręcić śrubę zaciskającą (42), obracając ją przeciwnie do wskazówek zegara.

Odsysanie pyłu (Rys. A, B, W, X)



Zapewnić dobrą wentylację miejsca pracy.



Nosić ochronę przeciwpyłową.

Pył z materiałów, takich jak farba ołowiowa i pewne rodzaje drewna, może być szkodliwy dla zdrowia. Wdychanie tego pyłu może powodować reakcje alergiczne i/lub powodować schorzenia układu oddechowego operatora i innych osób w pobliżu. Pewne pyły, jak z drewna dębu lub buku, są uznawane za rakotwórcze, szczególnie w połączeniu ze środkami do obróbki drewna (chromianem stosowanym do konserwacji drewna).



Bardzo zalecamy zastosowanie systemu odsysania pyłu o parametrach dostosowanych dla danego materiału.

System odsysania pyłu może zatkać się pyłem, wiórami lub kawałkami obrabianego elementu. Dlatego należy go regularnie czyścić. W tym celu:

1. Odłączyć wtyczkę kabla zasilającego od gniazda sieciowego.
2. Poczekać, aż tarcza całkowicie się zatrzyma.
3. W razie potrzeby usunąć wszelkie zatory

Montaż torby na pył (Rys. W)

Wcisnąć zacisk torby na pył (26) i wsunąć ją na otwór wylotowy pyłu (28) z tyłu narzędzia.

Po zwolnieniu zacisku torba pozostanie zamontowana.

Podłączanie odkurzacza (Rys. X)



Odsysacz pyłu musi być przeznaczony do pracy z obrabianym materiałem.



W przypadku wssysania pyłu szczególnie szkodliwego dla zdrowia lub rakotwórczego, używać specjalnego odsysacza do pyłu.

Wąż odkurzacza można podłączyć do wylotu pyłu (28). W tym celu po prostu podłączyć wąż odkurzacza do wylotu pyłu.

4. OBSŁUGA



Przed włączeniem narzędzia zawsze sprawdzać, czy tarcza jest zamontowana poprawnie. Tarcza musi obracać się płynnie.



Zawsze sprawdzać osłony ochronne przed użyciem.



W przypadku wszystkich typów cięcia należy najpierw dopilnować, aby tarcza nie mogła w żadnym momencie stykać się z przegrodą, zaciskiem obrabianego przedmiotu ani innymi częściami narzędzia. Zdemontować wszelkie zamontowane pomocnicze ograniczniki lub prawidłowo je wyregulować.

Podpieranie obrabianego elementu (Rys. H)

Obrabiane elementy należy zawsze prawidłowo podparć.

Przedłużenia blatu (10) można wysunąć w lewo lub w prawo, aby podeprzeć obrabiany element. W tym celu:

1. Poluzować śrubę mocującą przedłużenia blatu (34);

2. Przetawić przedłużenie blatu (10) w żądane położenie;
3. Dokręcić śrubę mocującą przedłużenia blatu (34).

Podczas cięcia bardzo długich obrabianych elementów, wolny koniec długiego elementu musi być podparty lub oparty o jakiś dodatkowy element.

Zaciskanie obrabianego elementu (Rys. H)

Obrabiane elementy należy zawsze prawidłowo mocować zaciskami. Zacisk obrabianego przedmiotu (21) można umieścić po jego lewej lub prawej stronie. W tym celu:

1. Dopilnować, aby obrabiany przedmiot był mocno dociśnięty do przegrody (9);
2. Włożyć dołączony zacisk obrabianego przedmiotu (21) w jeden z otworów przeznaczonych do tego celu zgodnie z rysunkiem H;
3. Dostosować pręt gwintowany zacisku obrabianego przedmiotu (21) do wysokości obrabianego przedmiotu;
4. Mocno dokręcić pręt gwintowany zacisku obrabianego przedmiotu (21), aby unieruchomić obrabiany przedmiot. Aby poluzować, po prostu odkręcić pręt gwintowany zacisku obrabianego przedmiotu (21).

Pokrętko zacisku obrabianego przedmiotu (44) pozwala na szybszą regulację wysokości zacisku obrabianego przedmiotu (21). Po wyregulowaniu wysokości zawsze mocno dokręcić pręt gwintowany zacisku obrabianego przedmiotu (21), aby unieruchomić obrabiany przedmiot.

Regulacja przegrody (Rys. H)



Zawsze dostosowywać przegrodę do określonego typu cięcia.

W przypadku cięcia ukosowego i/lub skośnego należy przestawić regulowaną przegrodę (7) w zależności od kierunku cięcia. W ten sposób obrabiany przedmiot jest zawsze prawidłowo podpierany przez przegrodę w każdych okolicznościach. W tym celu:

1. Poluzować śrubę mocującą regulowanej przegrody (35);
2. Wyregulować przegrodę w zależności od planowanego cięcia. W przypadku cięcia ukosowego lub prostego przegrodę należy przesunąć do środka, w stronę tarczy (maks. 8 mm), ale tak, by jej nie dotykała. W przypadku cięcia skośnego przegrodę należy przesunąć na zewnątrz, od

- tarczy (maks. 8 mm), tak, by jej nie dotykała;
3. Dokręcić śrubę mocującą regulowanej przegrody (35);
 4. Aby tarcza nie dotykała regulowanej przegrody (35), zaleca się wykonanie przebiegu próbnego bez włączania narzędzia, aby sprawdzić ruch tarczy.

Regulacja kąta cięcia ukosowego (Rys. A)

Kąt cięcia ukosowego można regulować w zakresie od 45° po lewej stronie do 45° po prawej stronie. Do szybkiego i dokładnego ustawienia często stosowanych kątów cięcia ukosowego, gotowe pozycje regulacji są dostępne na blacie pilarki dla kątów 0°, 15°, 22,5°, 30° i 45°.

Ustawienie kąta cięcia ukosowego zgodnie z gotową pozycją regulacji:

1. Poluzować pokrętko regulacji cięcia ukosowego (14);
2. Pociągnąć dźwignię regulacji cięcia ukosowego (15) i obrócić blat (11) w lewo lub w prawo na żadaną gotową pozycję regulacji. Kąt można odczytać z podziałki kąta cięcia ukosowego (16) za pomocą wskazówki kąta cięcia ukosowego (17).
3. Zwolnić dźwignię. Musi być odczuwalne zablokowanie dźwigni w gotowej pozycji regulacji.
4. Dokręcić pokrętko regulacji cięcia ukosowego (14).

Ustawienie kąta cięcia ukosowego na dowolną wartość z zakresu:

1. Poluzować pokrętko regulacji cięcia ukosowego (14);
2. Pociągnąć dźwignię regulacji cięcia ukosowego (15) i obrócić blat (11) w lewo lub w prawo w żadaną pozycję. Kąt można odczytać z podziałki kąta cięcia ukosowego (16) za pomocą wskazówki kąta cięcia ukosowego (17).
3. Zwolnić dźwignię i dokręcić pokrętko regulacji cięcia ukosowego (14).

Regulacja kąta cięcia skośnego (Rys. A, B)

Kąt cięcia skośnego można ustawić w zakresie od 0° do +45° po lewej stronie. W tym celu:

1. Poluzować pokrętko regulacji cięcia skośnego (22);
2. Pochylić pilarkę za pomocą uchwytu (2), aż wskazówka (19) wskaże żądane położenie na podziałce kąta cięcia skośnego (20);
3. Dokręcić pokrętko regulacji cięcia skośnego (22).

Włączanie i wyłączanie narzędzia (Rys. A)

- Aby włączyć maszynę, wcisnąć i przytrzymać przycisk wyłączenia blokady (1) w celu odblokowania osłony ochronnej i wcisnąć włącznik (3).
- Aby zatrzymać maszynę, zwolnić włącznik (3).

Wykonywanie cięcia poprzecznego (Rys. I, J)

Postępować zgodnie z poniższą procedurą, aby ciąć w poprzek włókien drewna:

1. Ustawić kąty cięcia skośnego i ukosowego na 0°;
2. Przeszawić regulowaną przegrodę w położenie wewnętrzne, w stronę tarczy. Maksymalna odległość między regulowaną przegrodą (35) a tarczą pilarki (6) to 8 mm zgodnie z rysunkiem J. Dopilnować, aby przegroda nie dotykała tarczy.
3. Mocno zacisnąć obrabiany przedmiot;
4. Włączyć narzędzie. Poczekać, aż tarcza osiągnie pełną prędkość;
5. Teraz powoli opuszczać uchwyt, aby tarcza tnąca przecięła obrabiany przedmiot i przeszła przez szczelinę w blacie roboczym. Nie dociskać pilarki za mocno, tylko pozwolić jej wykonać swoją pracę;
6. Delikatnie podnieść uchwyt do góry i wyłączyć maszynę, zwalniając włącznik.

Wykonywanie cięcia ukosowego (Rys. I, J)

Postępować zgodnie z poniższą procedurą, aby ciąć pod kątem w stosunku do powierzchni czołowej drewna:

1. Ustawić żądany kąt cięcia ukosowego i ustawić kąt 0° cięcia skośnego;
2. Przeszawić regulowaną przegrodę w położenie wewnętrzne, w stronę tarczy. Maksymalna odległość między regulowaną przegrodą (35) a tarczą pilarki (6) to 8 mm zgodnie z rysunkiem J. Dopilnować, aby przegroda nie dotykała tarczy.
3. Mocno zacisnąć obrabiany przedmiot;
4. Włączyć narzędzie. Poczekać, aż tarcza osiągnie pełną prędkość;
5. Teraz powoli opuszczać uchwyt, aby tarcza tnąca przecięła obrabiany przedmiot i przeszła przez szczelinę w blacie roboczym. Nie dociskać pilarki za mocno, tylko pozwolić jej wykonać swoją pracę;
6. Delikatnie podnieść uchwyt do góry i wyłączyć maszynę, zwalniając włącznik.

Wykonywanie cięcia skośnego (Rys. L, M)

Postępować zgodnie z poniższą procedurą, aby ciąć pod kątem w stosunku do krawędzi drewna:

1. Ustawić kąt cięcia ukosowego 0° i żądany kąt cięcia skośnego;
2. Przetawić regulowaną przegrodę w położenie zewnętrzne, z dala od tarczy. Maksymalna odległość między regulowaną przegrodą (35) a tarczą pilarki (6) to 8 mm zgodnie z rysunkiem M. Dopilnować, aby przegroda nie dotykała tarczy.
3. Mocno zacisnąć obrabiany przedmiot. Dopilnować, aby zacisk obrabianego przedmiotu znajdował się po prawej stronie;
4. Włączyć narzędzie. Poczekać, aż tarcza osiągnie pełną prędkość;
5. Teraz powoli opuszczać uchwyt, aby tarcza tnąca przecięła obrabiany przedmiot i przeszła przez szczelinę w blacie roboczym. Nie dociskać pilarki za mocno, tylko pozwolić jej wykonać swoją pracę;
6. Delikatnie podnieść uchwyt do góry i wyłączyć maszynę, zwalniając włącznik.

Wykonywanie cięcia złożonego (Rys. M, N)

Postępować zgodnie z poniższą procedurą, aby wykonać cięcie stanowiące kombinację cięcia ukosowego i skośnego:

1. Ustawić żądany kąt cięcia ukosowego i żądany kąt cięcia skośnego;
2. Przetawić regulowaną przegrodę w położenie zewnętrzne, z dala od tarczy. Maksymalna odległość między regulowaną przegrodą (35) a tarczą pilarki (6) to 8 mm zgodnie z rysunkiem M. Dopilnować, aby przegroda nie dotykała tarczy.
3. Mocno zacisnąć obrabiany przedmiot. Dopilnować, aby zacisk obrabianego przedmiotu znajdował się po prawej stronie;
4. Włączyć narzędzie. Poczekać, aż tarcza osiągnie pełną prędkość;
5. Teraz powoli opuszczać uchwyt, aby tarcza tnąca przecięła obrabiany przedmiot i przeszła przez szczelinę w blacie roboczym. Nie dociskać pilarki za mocno, tylko pozwolić jej wykonać swoją pracę;
6. Delikatnie podnieść uchwyt do góry i wyłączyć maszynę, zwalniając włącznik.

Korzystanie z funkcji przesuwania

W przypadku bardzo szerokich obrabianych przedmiotów można skorzystać z funkcji przesuwania narzędzia. W przypadku korzystania z funkcji przesuwania dopilnować, aby poluzować śrubę mocującą szyn do przesuwania (29). Ciągnąć za uchwyt (2), odsuwając go od przegrody (9), aż tarcza znajdzie się

przed obrabianym przedmiotem. Powoli prowadzić ramię narzędzia w dół za pomocą uchwyty, po czym pchnąć uchwyt (2) w stronę przegrody (9) i przecinać obrabiany przedmiot z jednolitą prędkością posuwu.

W przypadku małych obrabianych przedmiotów, można zablokować funkcję przesuwania w pozycji z tyłu pilarki za pomocą śruby mocującej szyn do przesuwania (29). Jeśli wymagana jest większa szerokość cięcia, należy poluzować śrubę mocującą szyn do przesuwania (29).

Korzystanie z ogranicznika długości (Rys. O)

Ogranicznik długości (8) na lewym i prawym przedłużeniu blatu (10) pozwala na łatwe przecinanie przedmiotów na równą długość.

1. Przesunąć ogranicznik długości (8) do góry;
2. Poluzować śrubę mocującą przedłużenia blatu (34);
3. Dostosować długość przedłużenia blatu (10).
4. Dokręcić śrubę mocującą przedłużenia blatu (34).

Regulacja ogranicznika głębokości (Rys. P)

Ogranicznik głębokości można ustawić w celu ograniczenia głębokości cięcia. Może to się przydać podczas wycinania rowków. W tym celu:

1. Poluzować nakrętkę radełkową do regulacji głębokości (45);
2. Ustawić pokrętko regulacji głębokości (24) na żądanej głębokości;
3. Dokręcić nakrętkę radełkową do regulacji głębokości (45).

Włączanie i wyłączanie lasera (Rys. B)

- Wcisnąć włącznik lasera (46), aby włączyć lub wyłączyć laser. Włącznik lasera (46) włącza również światło robocze LED.

Precyzyjna regulacja



Przed rozpoczęciem jakichkolwiek prac konserwacyjnych, odłączyć kabel zasilający od gniazdka.

Aby zapewnić dokładne cięcie, podstawowe ustawienia pilarki należy sprawdzić i wyregulować przed pierwszym użyciem oraz po intensywnym okresie użytkowania. Wymaga to użycia specjalnych narzędzi. Serwis firmy Vonroc udzieli pomocy w szybkim i niezawodnym wykonaniu tego zadania.

Precyzyjna regulacja lasera (Rys. Q)

Uwaga: Przetestowanie funkcji lasera wymaga podłączenia elektronarzędzia do zasilania.



Podczas regulacji lasera (np. przesuwania ramienia narzędzia) nigdy nie uruchamiać włącznika. Przypadkowe uruchomienie elektronarzędzia może prowadzić do obrażeń ciała.

Jeśli laser (18) przestanie pokazywać prawidłową linię cięcia, można go wyregulować. W tym celu:

1. Poluzować śruby regulacji lasera (48) i ustawić laser, przesuając go, aż wiązka lasera pojawi się na zębach tarczy (6);
2. Dokręcić śruby regulacji lasera (48).

Precyzyjna regulacja kąta cięcia skośnego 0°

(Rys. R, S)

1. Ustawić kąty cięcia skośnego i ukosowego na 0°;
2. Opuścić uchwyt (2) i unieruchomić go pokrętką blokady położenia (38);
3. Zablokować możliwość przesuwania za pomocą śruby mocującej szyn do przesuwania (29);
4. Ustawić kątownik na 90° i położyć go na blacie (11) zgodnie z rysunkiem S. Ramię kątownika musi być ustawione równo z tarczą (6) na całej długości;
5. Poluzować nakrętkę zabezpieczającą kąta cięcia skośnego 0° (50);
6. Regulować śrubę ograniczającą kąta cięcia skośnego 0° (32), aż ramię kątownika będzie ustawione równo z tarczą (6) na całej długości;
7. Dokręcić nakrętkę zabezpieczającą kąta cięcia skośnego 0° (50).

Następnie sprawdzić położenie wskazówki kąta (19). W razie potrzeby poluzować wskazówkę wkrętakiem z końcówką krzyżową, ustawić ją na położenie 0° na podziałce kąta cięcia skośnego (20) i ponownie dokręcić śrubę mocującą.

Precyzyjna regulacja kąta cięcia skośnego 45°

(Rys. R, T)

1. Ustawić kąty cięcia skośnego i ukosowego na 45°;
2. Opuścić uchwyt (2) i unieruchomić go pokrętką blokady położenia (38);
3. Zablokować możliwość przesuwania za pomocą śruby mocującej szyn do przesuwania (29);
4. Ustawić kątownik na 90° i położyć go na blacie (11) zgodnie z rysunkiem T. Ramię kątow-

nika musi być ustawione równo z tarczą (6) na całej długości;

5. Poluzować nakrętkę zabezpieczającą kąta cięcia skośnego 45° (49);
6. Regulować śrubę ograniczającą kąta cięcia skośnego 45° (31), aż ramię kątownika będzie ustawione równo z tarczą na całej długości;
7. Dokręcić nakrętkę zabezpieczającą kąta cięcia skośnego 45° (49).

Następnie sprawdzić położenie wskazówki kąta (19). W razie potrzeby poluzować wskazówkę wkrętakiem z końcówką krzyżową, ustawić ją na położenie 45° na podziałce kąta cięcia skośnego (20) i ponownie dokręcić śrubę mocującą.

Precyzyjna regulacja kąta cięcia ukosowego 0°

(Rys. U, V)

1. Ustawić kątownik na 0° i położyć go na blacie (11) między przegrodą (9) a tarczą (6);
2. Ramię kątownika musi być ustawione równo z tarczą (6) na całej długości;
3. Poluzować śruby ustalające regulowanej przegrody (35), po czym poluzować śruby zabezpieczająca regulowanej przegrody (36).
4. Zdemontować prawą i lewą regulowaną przegrodę (7), odsłaniając śruby przegrody (51).
5. Poluzować wszystkie cztery śruby przegrody (51) i regulować przegrodę (9), aż ramię kątownika będzie ustawione równo z tarczą na całej długości;
6. Ponownie dokręcić wszystkie cztery śruby przegrody (51). Następnie sprawdzić położenie wskazówki kąta (17). W razie potrzeby poluzować wskazówkę wkrętakiem z końcówką krzyżową, ustawić ją na położenie 0° na podziałce kąta cięcia ukosowego (16) i ponownie dokręcić śrubę mocującą.
7. Zamontować prawą i lewą regulowaną przegrodę (7) na miejsce.
8. Dokręcić śruby ustalające regulowanej przegrody (35), po czym dokręcić śruby zabezpieczająca regulowanej przegrody (36).

5. KONSERWACJA



W trakcie przeprowadzania czynności konserwacyjnych części mechanicznych maszyna musi być odłączona od zasilania.

Czyścić obudowę narzędzia regularnie miękką ściereczką, najlepiej po każdym użyciu. Dopilnować, aby otwory wentylacyjne były wolne od pyłu i zanieczyszczeń. Usuwać uporczywe zanieczyszczenia miękką ściereczką, lekko nawilżoną wodą z mydłem. Nie używać żadnych rozpuszczalników, jak benzyna, alkohol, amoniak itp., gdyż tego typu chemikalia powodują uszkodzenia części z tworzyw sztucznych.

Czyszczenie osłon ochronnych

Zawsze sprawdzać osłonę ochronną (4) i chowaną osłonę ochronną (5) pod kątem zanieczyszczenia resztkami przed użyciem narzędzia. Usuwać stare wióry i drzazgi szczotką itp.

Wymiana wkładki blatu



Niezwłocznie wymieniać uszkodzone wkładki blatu.

Uszkodzone wkładka blatu (13) powoduje ryzyko utknięcia małych części między wkładką blatu a tarczą, co spowoduje zablokowanie tarczy pilarki.

Aby wymienić wkładkę blatu:

1. Wykręcić śruby wkładki blatu wkrętakiem z końcówką krzyżową. W razie potrzeby dostosować kąt cięcia ukosowego i skośnego, aby uzyskać dostęp do tych śrub;
2. Zdemontować wkładkę blatu;
3. Zamontować nową wkładkę blatu;
4. Dokręcić śruby wkrętakiem z końcówką krzyżową.

Szyny do przesuwania

Zanieczyszczenia mogą spowodować uszkodzenie szyn do przesuwania (25) i uniemożliwić pracę narzędzia.

- Regularnie czyścić szyny do przesuwania miękką ściereczką;
- Nasmarować szyny do przesuwania kilkoma kroplami oleju do smarowania;
- Przesunąć pilarkę naprzód i wstecz, aby rozprowadzić olej na całej długości szyn.

SRODOWISKO



Uszkodzone i/lub niepotrzebne urządzenia elektryczne lub elektroniczne podlegają zbiórce w odpowiednich punktach recyklingu.

Tylko kraje WE

Nie wyrzucac elektronarzędzi wraz z odpadami z gospodarstw domowych. Zgodnie z dyrektywą 2012/19/WE dotycząca zużytych urządzeń elektrycznych i elektronicznych oraz jej wdrożeniem do prawodawstwa krajowego, elektronarzędzia, które już nie nadają się do użytku, podlegają oddzielnej zbiórce oraz utylizacji w sposób przyjazny dla środowiska.

GWARANCJA

Produkty VONROC są wytwarzane zgodnie z najwyższymi standardami jakości i producent udziela gwarancji na wady materiałowe i wady wykonania na okres wymagany prawem, licząc od dnia zakupu. Jeśli wystąpi usterka produktu w tym okresie spowodowana wadą materiałową i/lub wadą wykonania, proszę bezpośrednio skontaktować się ze sprzedawcą VONROC.

Następujące okoliczności powodują unieważnienie gwarancji:

- Przeprowadzono naprawy lub modyfikacje narzędzia w serwisie innym lub autoryzowany lub podjęto ich próbę;
- Normalne zużycie nie jest objęte gwarancją;
- Narzędzie było używane niezgodnie z przeznaczeniem, zle z nim się obchodzono lub było nieprawidłowo konserwowane;
- Użyto części zamiennych innych niż oryginalne.

Niniejsza gwarancja to wyłączna gwarancja producenta i nie obowiązują żadne inne wyrażone ani dorozumiane gwarancje. Nie obowiązują żadne inne wyrażone ani dorozumiane gwarancje o zakresie przekraczającym niniejszą gwarancję, co obejmuje dorozumiane gwarancje przydatności do sprzedaży i przydatności do określonego celu. W żadnym przypadku firma VONROC nie ponosi odpowiedzialności za straty przypadkowe lub wynikowe. Zadośćuczynienie sprzedawcy jest ograniczone do naprawy lub wymiany niezgodnych urządzeń lub części.

Produkt i instrukcja obsługi podlegają zmianom. Dane techniczne podlegają zmianom bez uprzedzenia.,

1. INSTRUCȚIUNI DE SIGURANȚĂ

Citiți avertizările de siguranță, avertizările de siguranță suplimentare și instrucțiunile. Nerespectarea avertizărilor de siguranță poate cauza producerea de electrocutări, incendii și/sau răniri grave. Păstrați manualul cu avertizările de siguranță și instrucțiunile de utilizare pentru referințe viitoare.

În manualul de utilizare sau pe produs se utilizează următoarele simboluri:



Citiți manualul de utilizare.



Indică riscul de rănire personală, pierderea vieții sau deteriorarea sculei în cazul în care nu se respectă instrucțiunile din acest manual.



Pericol de electrocutare.



Țineți persoanele aflate în zonă la depărtare.



Purtați protecție antipraf.



Purtați echipament de protecție pentru urechi.



Purtați echipament de protecție pentru ochi.



Atenție: Radiația laser. Nu priviți în fascicul, Laser de clasa 2.



Țineți mâinile la distanță de zona de tăiere în timp ce scula electrică funcționează. Contactul cu lama fierăstrăului poate duce la vătămări corporale.



Zonă de pericol! Țineți mâinile, degetele sau brațele departe de această zonă.



Transportați mașina numai atunci când este în poziția de transport.



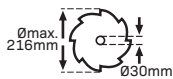
Mașină din clasa II - Izolație dublă - Nu este necesară o priză cu împământare.



Produsul este în conformitate cu standardele de siguranță aplicabile din directivele europene.



Ghidajul reglabil trebuie tras în exterior atunci când tăiați unghiuri înclinate/teșite.



Țineți cont de dimensiunile lamei de ferăstrău. Diametrul găurii trebuie să se potrivească cu axul sculei fără a exista spații libere. Dacă este necesar să utilizați reductoare, asigurați-vă că dimensiunile reductorului sunt adecvate pentru grosimea lamei de bază și diametrul găurii lamei ferăstrăului, precum și pentru diametrul axului sculei. Ori de câte ori este posibil, utilizați reductoarele furnizate împreună cu lama ferăstrăului. Diametrul lamei de ferăstrău trebuie să corespundă informațiilor specificate pe simbol.

AVERTISMENTE GENERALE DE SIGURANȚĂ PRIVIND SCULELE ELECTRICE



AVERTISMENT! Citiți toate avertizările de siguranță, instrucțiunile, ilustrațiile și specificațiile furnizate împreună cu această sculă electrică. Nerespectarea tuturor instrucțiunilor enumerate mai jos poate cauza producerea de electrocutări, incendii și/sau răniri grave.

Păstrați toate manualele cu avertismentele și instrucțiunile pentru consultare ulterioară.

Termenul „sculă electrică” din avertismente se referă la scule electrice (cu fir) sau la scule electrice cu baterie (fără fir).

1) Siguranța zonei de lucru

- a) **Păstrați zona de lucru curată și bine iluminată.** Zonele dezordonate sau întunecate pot duce la producerea de accidente.
- b) **Nu operați uneltele electrice în atmosfere explozive, cum ar fi în prezența lichidelor, gazelor sau pulberilor explozive.** Sculele electrice

- generează scânteii care pot declanșa explozii sau incendii.
- c) **Țineți la distanță copiii și persoanele din jur în timp ce operați o sculă electrică.** Distragerea atenției poate cauza pierderea controlului.
- 2) Siguranța electrică**
- a) **Ștecherile uneltelor electrice trebuie să se potrivească cu priza. Nu modificați niciodată în nici un fel mufele. Nu folosiți adaptoare de priză cu scule electrice legate de pământ (împământate).** Mufele nemodificate și prizele adecvate reduc riscul de electrocutare.
- b) **Evitați contactul corpului cu suprafețele împământate precum țevi, radiatoare, cuptoare și frigider.** Există un risc mai mare de electrocutare dacă vă este corpul împământat.
- c) **Nu expuneți uneltele electrice la ploaie sau condiții de umezeală.** Apa care pătrunde într-o sculă electrică va spori riscul de electrocutare.
- d) **Nu manipulați necorespunzător cablul. Nu folosiți niciodată cablul pentru a purta, a trage sau a deconecta scula electrică. Feriți cablul de căldură, ulei, margini ascuțite sau piese mobile.** Cablurile distruse sau încurcate cresc riscul de electrocutare.
- e) **Atunci când operați o sculă de lucru în aer liber, utilizați un prelungitor pentru exterior.** Folosirea unui cablu adecvat pentru uzul în aer liber scade riscul de electrocutare.
- f) **În cazul în care operarea unei unelte electrice într-un spațiu cu umiditate nu poate fi evitată, utilizați o alimentare cu protecție pentru dispozitivele de curent rezidual (RCD).** Utilizarea unui RCD reduce riscul de electrocutare.
- 3) Siguranța personală**
- a) **Fiți precauți, fiți atenți la ceea ce faceți și respectați regulile de bun simț atunci când operați o sculă electrică. Nu folosiți scula electrică atunci când sunteți obosit sau sub influența drogurilor, alcoolului sau unui tratament medicamentos.** Un moment de neatenție în timpul operării sculelor electrice poate cauza vătămări corporale grave.
- b) **Utilizați echipamentul de protecție corporală. Purtați întotdeauna protecție pentru ochi.** Echipamentul de protecție precum masca de praf, pantofii de protecție antiderapanți, cască de protecție sau protecția auzului, utilizate în condiții adecvate vor reduce pericolul de accidentare.
- c) **Preîntâmpinați pornirea accidentală. Asigurați-vă că întrerupătorul este în poziția oprit, înainte de a vă conecta la sursa de alimentare (curent electric sau baterie), de a ridica sau transporta scula.** Transportul sculei electrice ținând degetul pe întrerupător sau alimentarea sculelor electrice care au comutatorul pornit poate duce la accidente.
- d) **Îndepărtați orice cheie sau clește de reglare înainte de a porni scula electrică.** Un clește sau o cheie lăsată atașată unei piese rotative a uneltei electrice poate cauza vătămări corporale.
- e) **Nu vă întindeți pentru a utiliza scula de lucru. Mențineți-vă întotdeauna stabilitatea și echilibrul.** Acest lucru permite un control mai bun al sculei electrice în situații neașteptate.
- f) **Îmbrăcați-vă corespunzător. Nu purtați haine largi sau bijuterii. Țineți-vă părul și îmbrăcăminte departe de componentele mobile.** Hainele largi, bijuteriile sau părul lung pot fi prinse în componentele mobile.
- g) **În cazul în care dispozitivele prezintă posibilitatea conectării de accesorii pentru aspirația și colectarea prafului, asigurați-vă că aceste accesorii sunt conectate și utilizate în mod corespunzător.** Utilizarea colectării prafului poate reduce pericolele legate de praf.
- h) **Nu lăsați ca rutina obținută prin utilizarea frecventă a sculelor să vă permită să deveniți neatent și să ignorați principiile de siguranță în utilizarea sculelor.** O utilizare neglijentă poate provoca accidente grave într-o fracțiune de secundă.
- 4) Utilizarea și îngrijirea sculelor electrice**
- a) **Nu forțați scula electrică. Utilizați scula electrică adecvată aplicației dvs.** Scula electrică corespunzătoare va face munca mai ușoară și mai sigură.
- b) **Nu utilizați scula electrică în cazul în care întrerupătorul nu comută în poziția pornit și oprit.** Ori ce sculă electrică care nu poate fi controlată cu comutatorul este periculoasă și trebuie reparată.
- c) **Deconectați ștecherul de la sursa de alimentare și/sau acumulatorul de la scula electrică înaintea efectuării oricăror reglaje, modificări ale accesoriilor sau depozitării sculelor electrice.** Aceste măsuri preventive de precauție reduc riscul de pornire accidentală.
- d) **Nu depozitați sculele electrice în stare inactivă la îndemâna copiilor și nu permiteți persoanelor nefamiliarizate cu scula electrică sau cu aceste**

instrucțiuni să o utilizeze. Sculele electrice sunt periculoase în mâinile utilizatorilor neinstruiți.

- e) **Efectuați întreținerea sculelor electrice și a accesoriilor. Verificați alinierea sau configurarea greșită a pieselor mobile, ruperea pieselor și orice alte condiții care ar putea afecta funcționarea unelei electrice. În cazul deteriorării, reparați scula electrică înainte de utilizare.** Multe accidente sunt cauzate de sculele electrice deficitare întreținute.
- f) **Păstrați uneltele de tăiat ascuțite și curate.** Sculele așchietoare corect întreținute cu muchiile ascuțite au mai puține șanse să se înțepească și sunt mai ușor de utilizat.
- g) **Utilizați scula electrică, accesoriile și cuștile sculei etc. conform acestor instrucțiuni, ținând cont de condițiile de lucru și de lucrarea ce trebuie să fie efectuată.** Folosirea unelei electrice pentru operații diferite decât celea destinate pot cauza o situație periculoasă.
- h) **Țineți mânerul și suprafețele de prindere uscate, curate și lipsite de ulei și unsoare.** Mânere și suprafețele de prindere alunecoase nu permit manipularea și controlul sculei în siguranță în situații neașteptate.

5) Service

- a) **Prevedeți repararea unelei de lucru de către o persoană calificată, folosind exclusiv piese de schimb identice.** Acest lucru va garanta păstrarea în siguranță a sculei electrice.

INSTRUCȚIUNI SPECIFICE DE SIGURANȚĂ

- **Fierăstraiele circulare pentru tăieri înclinate sunt destinate pentru tăierea produselor din lemn sau derivatelor din lemn, ele nu pot fi utilizate cu discuri abrazive pentru tăierea materialelor neferoase, cum ar fi bare, tije, cuie etc.** Pulberile abrazive duc la blocarea componentelor, precum apărătoarea inferioară. Scântele de la taierea abrazivă vor arde apărătoarea inferioară, inserția de secționare și alte piese din material plastic.
- **Utilizați cleme pentru a susține piesa de lucru ori de câte ori se poate. Dacă susținerea piesei se face cu mâna, trebuie să vă păstrați întotdeauna mâna la cel puțin 100 mm față de fiecare parte a pânzei de ferăstrău. Nu utilizați acest ferăstrău să tăiați bucăți care sunt prea mici pentru a fi prinse sau ținute de mână în siguranță.** Dacă mâna este amplasată prea

aproape de lamă, există un risc crescut de accidentare la contactul cu lama.

- **Piesa de lucru trebuie să fie staționară și prinsă sau ținută atât pe ghidaj, cât și pe masă. Nu avansați piesa în lamă sau tăiați „de mână” în nici un fel.** Piese neprotejate sau în mișcare ar putea fi aruncate la viteze mari, provocând o rănire.
- **Apăsați ferăstrăul prin piesa de prelucrat. Nu trageți lama de fierăstrău în piesa de prelucrat. Pentru a face o tăietură, ridicați capul ferăstrăului și trageți-l peste piesa de prelucrat fără tăiere, porniți motorul, apăsați capul ferăstrăului în jos și împingeți ferăstrăul prin piesa de prelucrat.** Tăierea în direcție de tragere poate să cauzeze ca pânza de ferăstrău să urce în partea de sus a piesei de prelucrat și să arunce ansamblul lamei spre operator.
- **Nu treceți mâna peste linia destinată tăierii, nici în fața, nici în spatele lamei de ferăstrău.** Sprijinirea „cu mâna în cruce” a piesei, adică ținerea piesei la dreapta pânzei de ferăstrău cu mâna stângă sau invers este foarte periculoasă.
- **Nu ajungeți cu ambele mâini în spatele ghidajului mai aproape de 100 mm de fiecare parte a pânzei de ferăstrău, pentru a elimina resturi de lemn, ori din orice alt motiv, în timp ce lama se rotește.** Apropierea cu mâna de lama de ferăstrău s-ar să nu fie controlabilă și s-ar putea fiți grav rănit.
- **Verificați piesa de lucru înainte de tăiere. În cazul în care piesa de lucru este curbată sau deformată, prindeți-o cu o clemă cu fața spre ghidaj. Asigurați-vă întotdeauna că nu există niciun spațiu liber între piesă, ghidaj și masă de-a lungul liniei de tăiere.** Piesele curbate sau deformate se pot răsuci sau schimba brusc poziția și pot cauza blocarea lamei de ferăstrău în timpul tăierii. Nu trebuie să existe cuie sau obiecte străine în piesa de prelucrat.
- **Nu folosiți ferăstrăul până când masa nu este curată de toate uneltele, resturile de lemn, etc., cu excepția piesei de lucru.** Depunerile mici sau bucățile desprinse din lemn sau alte obiecte care intră în contact cu lama în rotație pot fi aruncate cu viteză mare.
- **Tăiați doar o singură piesă la un moment dat.** Mai multe piese nu pot fi stivuite prinse sau fixate în mod corespunzător în același timp și pot bloca lama ori se pot deplasa în timpul tăierii.
- **Asigurați-vă că ferăstrăul este montat sau poziționat pe o suprafață plană de lucru și fermă,**

- Înainte de utilizare.** O suprafață de lucru plană și fermă reduce riscul ca ferăstrăul să devină instabil.
- **Planificați-vă lucrarea. De fiecare dată când modificați setarea unghiului de înclinare sau de tăiere de țesire, asigurați-vă că apărătoarea reglabilă este setată corect pentru a sprijini piesa de lucru și nu va interfera cu lama sau sistemul de protecție.** Fără pornirea uneltei și fără ca piesa de lucru să fie pe masă, mutați lama printr-o tăiere complet simulată pentru a vă asigura nu vor fi interferențe sau pericole de tăiere a apărătorii.
 - **Asigurați un sprijin adecvat, cum ar fi extensii de masă, capre de tăiere etc. în cazul unei piese de lucru care este mai lată sau mai lungă decât partea de sus a mesei.** Piesele mai lungi sau mai late decât masa ferăstrăului cădea dacă nu sunt sprijinite în siguranță. În cazul în care cade bucata de tăiere sau piesa de lucru, se poate ridica apărătoarea inferioară sau pot să fie aruncate de lama în rotație.
 - **Nu apelați la o altă persoană pentru a ține locul unei prelungiri de masă sau a unui suport suplimentar.** Suportul instabil pentru piesa de lucru poate provoca blocarea lamei sau piesa de lucru se poate deplasa în timpul operației de tăiere, trăgându-vă pe dvs. și pe persoana care vă ajută spre lama de tăiere.
 - **Piesa tăiată nu trebuie să fie blocată sau presată prin orice mijloace împotriva rotirii lamei de ferăstrău.** Dacă este limitată, de exemplu, folosind opritoare de lungime, piesa tăiată ar putea fi prinsă de lamă și aruncată violent.
 - **Utilizați întotdeauna o clemă sau un dispozitiv conceput special pentru a sprijini în mod corespunzător materialul rotund, cum ar fi tije sau țevi.** Tijele au tendința să se rotească în timp ce sunt tăiate, provocând ca lama să „muște” și să tragă piesa cu mâna spre lamă.
 - **Lăsați lama să atingă turația maximă înainte de a o pune în contact cu piesa de prelucrat.** Aceasta va reduce riscul de a proiectare a piesei.
 - **În cazul în care piesa de lucru sau în care lama se blochează, opriți fierăstrăul circular. Așteptați ca toate piesele mobile să se oprească a opri și deconectați ștecherul de la sursa de alimentare și/sau scoateți acumulatorul. Apoi eliberați materialul blocat.** Continuarea tăierii cu o piesă blocată ar putea duce la pierderea controlului sau deteriorarea fierăstrăului.
 - **După ce tăierea este terminată, eliberați comutatorul, țineți capul ferăstrăului în jos și așteptați ca lama să se oprească înainte de a scoate bucata tăiată.** Atingerea cu mâna în apropierea lamei în mișcare este periculoasă.
 - **Apucați mânerul ferm atunci când se faceți o tăiere incompletă sau la eliberarea comutatorului înainte de a se poziționa capul ferăstrăului complet în poziția de jos.** Acțiunea de frânare a ferăstrăului poate provoca tragerea bruscă a capului ferăstrăului în jos, reprezentând un risc de rănire.
 - **Păstrați zona de siguranța lucru curată.** Amestecurile de materiale sunt deosebit de periculoase. Praful de metal ușor poate lua foc sau poate exploda.
 - **Nu utilizați discuri de fierăstrău deformatate, crăpate sau deteriorate. Lamele de fierăstrău neascutite sau amplasate incorect produc tăieturi înguste, cauzând o frecare excesivă, griparea lamei și recul.**
 - **Nu utilizați discuri de ferăstrău făcute oțel rapid (HSS).** Astfel de lame de ferăstrău se pot rupe cu ușurință.
 - **Utilizați întotdeauna lame de dimensiunea și forma corectă (diamantate față de rotunde) a orificiilor arborelui.** Lamele de ferăstrău care nu se potrivesc cu componentele de montaj ale fierăstrăului vor funcționa excentric, determinând pierderea controlului.
 - **Nu înlocuiți laserul integrat cu alt tip de laser.** Un laser care nu este compatibil cu această sculă electrică ar putea reprezenta un risc pentru persoane.
 - **Nu scoateți niciodată bucăți, așchii de lemn etc. din zona de tăiere în timp ce scula electrică este în funcțiune.** Ghidați întotdeauna brațul sculei înapoi în poziția neutră mai întâi și apoi opriți scula electrică.
 - **Nu atingeți lama ferăstrăului imediat după utilizare, lăsați-o să se răcească.** Lama ferăstrăului devine foarte fierbinte în timpul utilizării.
 - **Nu deteriorați niciodată semnele de avertizare de pe scula electrică.**
 - **Dacă radiațiile laser vă ating ochiul, trebuie să închideți ochii și să vă îndepărtați imediat capul de fascicul.**
 - **Nu utilizați instrumente optice, cum ar fi binoclu, pentru a privi în sursa de radiații.** Dacă faceți acest lucru, vă puteți deteriora ochiul.
 - **Nu direcționați fasciculul laser către persoanele care privesc prin binoclu sau instrumente similare.** Acest lucru le poate vătăma ochii.

- **Nu efectuați modificări la echipamentul laser.** Opțiunile de setare descrise în aceste instrucțiuni de utilizare pot fi utilizate în siguranță.
- **Nu stați în linie cu lama ferăstrăului în fața sculei electrice.** Stați întotdeauna pe partea laterală a lamei de ferăstrău. Acest lucru vă protejează corpul împotriva unui posibil recul.
- **Țineți mâinile, degetele și brațele departe de lama ferăstrăului care se rotește.**
- **Nu încrucișați mâinile când vă aflați în fața brațului uneltei.**
- **Evitați supraîncălzirea dinților ferăstrăului. Când lama ferăstrăului se supraîncăleşte, opriți mașina.** Lăsați lama de ferăstrău să se răcească înainte de a utiliza din nou mașina.
- **Înlocuiți imediat lamele de ferăstrău deteriorate sau uzate.**
- **Utilizați numai lame pentru ferăstrău care corespund specificațiilor din acest manual de utilizare și care au fost testate și marcate în conformitate cu EN 847-1.**
- **La tăierea pieselor curbate sau rotunde, acestea trebuie asigurate special împotriva alunecării. La linia de tăiere, nu ar trebui să existe niciun decalaj între piesa de prelucrat, ghidaj și masa pentru ferăstrău.** Dacă este necesar, va trebui să folosiți corpuri de iluminat speciale.

Instrucțiuni de siguranță privind alimentarea electrică



Verificați întotdeauna ca tensiunea de la alimentarea cu energie să corespundă tensiunii de pe plăcuța cu specificații.

- În cazul în care cablul de alimentare este deteriorat, acesta trebuie să fie înlocuit cu un cablu de alimentare special pregătit, disponibil la unitatea de service.
- Folosiți numai cabluri prelungitoare adecvate pentru puterea mașinii cu o grosime minimă de 1,5 mm². Dacă utilizați o bobină de cablu de extensie, derulați întotdeauna complet cablul.

2. INFORMAȚII CU PRIVIRE LA MAȘINĂ

Domeniul de utilizare

Această sculă este concepută ca o mașină staționară pentru realizarea de tăieturi drepte pe lungime și transversale în lemn în sensul și în contra fibrei. Este posibil să tăiați unghiuri înclinate de -45° la 45° și unghiuri teșite de -0° la 45°. Scula electrică

cu lama de ferăstrău montată este proiectată cu o capacitate suficientă pentru tăierea lemnului de esență tare și a lemnului de esență moale, precum și a plăcilor de pal și de MDF. Lama de ferăstrău nu este concepută pentru tăierea lemnului de foc. Nu folosiți ferăstrăul pentru a tăia alte materiale decât cele specificate în manual.

SPECIFICAȚII TEHNICE

Nr. model	MS504AC
Tensiune	220-240V~
Frecvență	50Hz
Puterea de alimentare	1800W S1 - 2200W S6 40%*
Turație la mers în gol	5200/min
Unghiuri înclinate	-45° <> +45°
Unghiuri de teșire	-45° <> 0° spre stânga, o singură teșitură
Specificațiile lamei de ferăstrău:	
Diametru	Ø 216 mm
Grosimea de bază a lamei	1,6 mm
Lățime de tăiere	2,8 mm
Diametru alezaj	Ø 30 mm
Număr de dinți	40T
Capacitate ferăstrău (înălțime x lățime):	
Unghi înclinat 0° - Teșire 0°	65 x 300mm
Unghi înclinat 0° - Teșire 45°	38 x 300mm
Unghi înclinat 45° - Teșire 0°	65 x 200mm
Unghi înclinat 45° - Teșire 45°	38 x 200mm
Dimensiuni minime ale piesei de prelucrat	3 x 10mm
Dimensiuni minime ale piesei de prelucra:	
Clasa	2
Lungimea de undă	650 nm
Putere	< 1 mW
Greutate	14 kg
Lpa (nivel presiune sonoră)	98 dB(A) Kpa: 3 dB(A)
Lwa (nivel putere acustică)	111 dB(A) KWA: 3 dB(A)

- * S6, funcționare continuă sarcină periodică. Cicluri de lucru identice cu o perioadă la sarcină urmată de o perioadă fără sarcină. Timp de funcționare 10 minute; ciclul de sarcină este de 40% din timpul de funcționare.

DESCRIERE

Numerele din text se referă la diagramele de la paginile 2-7.

1. Buton de deblocare
2. Mâner
3. Comutator pornire/oprire
4. Apărătoare de protecție
5. Apărătoare de protecție retractabilă
6. Lamă de fierăstrău
7. Ghidaj reglabil
8. Opritor lungime
9. Ghidaj
10. Extensie masă
11. Tabel
12. Găuri de montare
13. Placă de secționare
14. Buton pentru reglajul pe înclinație
15. Manetă pentru reglarea înclinației
16. Scală pentru unghi de înclinație
17. Indicator pentru unghi de înclinație
18. Laser
19. Indicator pentru unghi de țesire
20. Scală pentru unghi de țesire
21. Clemă de fixare piesă de prelucrat
22. Buton pentru reglajul pe țesire
23. Rolă
24. Bulon de reglare a adâncimii
25. Șine glisante
26. Sac pentru praf
27. Mâner de transport
28. Ieșirea prafului
29. Șurub de blocare pentru șine glisante
30. Braț de înclinație
31. Șurub fluture pentru unghi de țesire de 45°
32. Șurub fluture pentru unghi de țesire de 0°
33. Șurub de blocare pentru clemă piesă de prelucrat
34. Șurub de blocare pentru extensia mesei
35. Șurub de blocare pentru ghidaj reglabil
36. Șurub de siguranță pentru ghidaj reglabil
37. Protector de înclinare față
38. Buton de blocare pentru poziție
39. Buton braț de înclinație
40. Șurub de fixare
41. Flanșă de prindere
42. Șurub de prindere
43. Blocare ax
44. Buton pentru clemă piesă de prelucrat
45. Piuliță moletată pentru reglarea adâncimii
46. Lumină de lucru cu LED
47. Șurub braț de înclinație

48. Șuruburi pentru reglarea laserului
49. Contrapiuliță pentru unghi de țesire de 45°
50. Contrapiuliță pentru unghi de țesire de 0°
51. Șuruburi ghidaj
52. Suport braț de înclinație

3. ASAMBLAREA

Înainte de a efectua orice lucrări la mașină, deconectați ștecherul de la sursa de alimentare.

Poziție de transport (Fig. B, C)

Butonul de blocare a poziției (38) facilitează deplasarea unelei electrice atunci când o transportați în diferite locații de lucru.

Deblocarea poziției de transport (poziția de lucru)

1. Apăsați ușor mânerul (2) în jos;
2. Trageți complet butonul de blocare a poziției (38) în afară și blocați-l în poziție, rotindu-l;
3. Deplasați încet mânerul (2) în sus.

Blocarea poziției de transport (poziția de transport)

Înainte de blocarea în poziția de transport, asigurați-vă că șurubul de reglare a adâncimii (24) este reglat la adâncime nelimitată. În acest fel, mânerul (2) poate fi deplasat complet în jos fără a atinge opritorul de adâncime. De asemenea, scoateți toate accesoriile care nu pot fi fixate în siguranță pe mașină.

1. Slăbiți șurubul de blocare pentru șinele glisante (29) dacă este strâns;
2. Trageți mânerul (2) spre dvs. și strângeți șurubul de blocare pentru șinele glisante (29);
3. Apăsați mânerul (2) complet în jos;
4. Blocați butonul de blocare a poziției (38) trăgând mai întâi și apoi rotindu-l;
5. Înfășurați cablul de alimentare și legați-l împreună cu curea pentru cablu.

După blocarea poziției de transport, utilizați mânerul de transport (27) pentru a transporta în siguranță mașina.



Utilizați doar mânerul de transport numai pentru a transporta mașina și niciodată nu folosiți dispozitivele de protecție.

Montarea brațului de înclinație (Fig. D, Y)

Partea frontală a suprafeței mesei, denumită în continuare braț de înclinație (30), poate fi îndepărtată în scopul reducerii suplimentare a dimensiunilor exterioare ale fierăstrăului circular compact pentru tăieri înclinate. Pentru asamblarea brațului de înclinație:

1. Deblocați poziția de transport (poziția de lucru);
2. Slăbiți butonul pentru ajustarea unghiului (14);
3. Rotiți masa (11) spre stânga sau dreapta, la unghiul de 0° presetat. Unghiul poate fi citit pe scara pentru unghiul înclinat (16) folosind indicatorul pentru unghiul înclinat (17);
4. Trageți sau mențineți butonul brațului de înclinație (39), așa cum se arată în figura D1, folosind o singură mână;
5. Cu cealaltă mână, introduceți brațul de înclinație (30) în masă (11), așa cum se arată în figura D2, trăgând maneta pentru reglarea înclinației (15). Verificați dacă capetele sub formă de triunghi inversat ale brațului de înclinație (30) sunt fixate corespunzător în canelurile cu formă identică de la masă (11);
6. Acum eliberați butonul brațului de înclinație (39) și maneta pentru reglarea înclinației (15);
7. Securizați brațul de înclinație (30) prin strângerea șurubului brațului de înclinație (47), așa cum se arată în figura D-3.

Observație: pe durata demontării, brațul de înclinație (30) poate fi depozitat în suportul brațului de înclinație (52), așa cum se arată în figura Y.

Instalarea unei mașini staționare (Fig. A, B, D)

Pentru a asigura o manipulare sigură, scula electrică trebuie montată pe o suprafață de lucru plană și stabilă (de ex. banc de lucru) înainte de utilizare. Puteți instala mașina în trei moduri:

1. Pe un banc de lucru

În acest caz, mașina trebuie fixată pe bancul de lucru folosind elemente de fixare cu șurub adecvate. Folosiți cele patru orificii (12) pentru a face acest lucru. Conform ilustrației din fig. D.

2. Pe un sub-cadru

Citiți toate avertismentele și instrucțiunile incluse cu suportul pentru ferăstrău. Nerespectarea avertismentelor următoarelor și instrucțiunilor poate duce la producerea de electrocutări, incendii și/sau răniri grave.



Asamblați corespunzător suportul pentru ferăstrău înainte de a monta scula electrică. Asamblarea corectă este importantă pentru a preveni riscul de cădere.

În acest caz, mașina trebuie să fie fixată de sub-cadru cu șuruburi. Folosiți cele patru orificii (12) pentru a face acest lucru. Sub-cadru trebuie ancorat cu 4 șuruburi pe placa de podea cu dimensiuni de cel puțin 1 metru pătrat. Montați scula electrică pe suportul ferăstrăului în poziția de transport.

3. Instalare flexibilă

Acest tip de instalare nu este recomandat de producător.

Dacă, în circumstanțe excepționale, nu este posibilă montarea sculei electrice pe o suprafață de lucru plană și stabilă, puteți improviza configurând-o cu ajutorul dispozitivelor de protecție împotriva înclinării.



Fără protecția de înclinare, scula electrică nu va fi stabilă și se poate răsturna mai ales atunci când tăiați unghiuri înclinate maxime și / sau țesire.

- Protecția de înclinare posterioară este fixată la baza mașinii și nu poate fi reglată.
- Rotiți protecția de înclinare frontală (37) spre interior sau spre exterior, așa cum se arată în figura F, până când scula electrică este poziționată la nivel pe suprafața de lucru.

Verificarea apărătorii de protecție (fig. A)

Apărătoarea de protecție retractată (5) protejează împotriva contactului accidental cu lama ferăstrăului și împotriva așchiilor de ferăstrău care de proiectează în jur. Înainte de utilizare, trebuie verificat dacă protecția lamei de ferăstrău funcționează corect. Pentru aceasta, trageți mânerul (2) în jos și verificați următoarele:

- Apărătoarea de protecție retractată (5) trebuie să ofere acces la lama ferăstrăului (6) fără a intra în contact cu alte părți.
- Când pliați ferăstrăul în sus în poziția de pornire, dispozitivul de protecție retractată (5) trebuie să acopere automat toată lama ferăstrăului (6).

Înlocuirea lamei fierăstrăului (fig. G)

Înainte de a efectua orice lucrări la mașină, deconectați ștecherul de la sursa de alimentare.



La montarea lamei de fierăstrău, purtați mănuși de protecție. Pericol de rănire atunci când atingeți lama ferăstrăului.



Utilizați numai lame care corespund datelor caracteristice din instrucțiunile de operare. Utilizați numai lame de ferăstrău marcate cu o viteză egală sau mai mare decât viteza marcată pe sculă.



În niciun caz nu folosiți discuri de șlefuit pe post de instrument de tăiere.

Înainte de a înlocui lama de ferăstrău, se recomandă să setați unghiul de înclinație și unghiul de teșire la 0°. În caz contrar, accesul ar putea fi limitat.

Îndepărtarea lamei de ferăstrău

1. Blocați ferăstrăul în poziție în sus utilizând butonul de blocare a poziției (38);
2. Slăbiți șurubul de fixare (40) folosind o șurubelniță Phillips, așa cum se arată în figura G1; AVERTIZARE! Nu scoateți complet șurubul de fixare (40), ci doar slăbiți-l.
3. Pliati protecția de retragere (5) în sus până când șurubul de prindere (42) poate fi accesat liber, așa cum se arată în figura G2;
4. Introduceți cheia hexagonală în șurubul de prindere (42). Apărătoarea de protecție retracabilă (5) poate fi eliberată, se va plia pe cheia hexagonală.
5. Rotiți șurubul de prindere (42) cu cheia hexagonală (34) și, în același timp, apăsați blocarea axului (43) până se cuplează.
6. Țineți ferm blocarea axului (43) și slăbiți șurubul de prindere (42) rotindu-l în sensul acelor de ceasornic (filet de stânga).
7. Scoateți șurubul de prindere (42) și flanșa de prindere (41). Apoi, lama ferăstrăului (6) poate fi îndepărtată.

Montarea lamei de ferăstrău

Când montați lama ferăstrăului, asigurați-vă că direcția de tăiere a dinților (direcția săgeții pe lama ferăstrăului) se potrivește cu direcția săgeții de pe apărătoare (4).



Când montați lama de ferăstrău (6), verificați dacă aceasta se rotește liber în placa de tăiere (13) în ambele setări ale unghiului de 0° și 45°.

1. Curățați lama ferăstrăului și toate piesele de prindere care urmează să fie asamblate.
2. Slăbiți șurubul de fixare (40) folosind o șurubelniță Phillips, așa cum se arată în figura G1; AVERTIZARE! Nu scoateți complet șurubul de fixare (40), ci doar slăbiți-l.
3. Pliati protecția de retragere (5) în sus până când șurubul de prindere (42) poate fi accesat liber, așa cum se arată în figura G2;
4. Introduceți cheia hexagonală în șurubul de prindere (42). Apărătoarea de protecție retracabilă (5) poate fi eliberată, se va plia pe cheia hexagonală.
5. Montați flanșa de prindere (41). Asigurați-vă că laturile plate ale flanșei de prindere corespund cu laturile plate ale axului lamei. De asemenea, asigurați-vă că partea convexă a flanșei de prindere este montată la exterior.
6. Montați șurubul de prindere (42) și rotiți-l folosind cheia hexagonală, în timp ce apăsați în același timp blocarea axului (43), până se cuplează.
7. Țineți ferm blocarea axului (43) și fixați șurubul de prindere (42) rotindu-l în sens invers acelor de ceasornic.

Extragerea prafului (fig. A, B, W, X)

Asigurați o ventilație bună la locul de muncă.



Purtați protecție antipraf.

Praful din materiale precum vopseaua cu plumb și unele tipuri de lemn poate fi dăunător sănătății. Respirarea acestui praf poate provoca reacții alergice și / sau poate provoca boli respiratorii utilizatorului sau persoanelor din vecinătate. Anumite tipuri de praf, cum ar fi praful de stejar sau fag, sunt clasificate ca fiind cancerigene, în special împreună cu aditivi pentru tratarea lemnului (cromat, conservant pentru lemn). Vă recomandăm să utilizați ori de câte ori este posibil un sistem de aspirare a prafului potrivit pentru material.



Evitați acumularea de praf la locul de muncă. Praful se poate aprinde cu ușurință.

Sistemul de extragere a prafului poate fi blocat de praf, aşchii sau fragmente ale piesei de prelucrat. Astfel, trebuie să fie curăţat în mod regulat. Pentru a face acest lucru:

1. Deconectaţi fişa de la sursa de alimentare.
2. Aşteptaţi până când lama de fierăstrău se opreşte complet.
3. Dacă este necesar, eliminaţi orice blocaj

Montarea sacului de praf (Fig. W)

Apăsaţi clema sacului de praf (26) şi glisaţi pe orificiul de praf (28) din spatele maşinii. Sacul de praf rămâne în poziţie la eliberarea clemei.

Conectarea unui aspirator (Fig. X)



Extractorul de praf trebuie să fie adecvat pentru materialul prelucrat.



La aspirarea prafului uscat, care este deosebit de dăunător sănătăţii sau este cancerigen, folosiţi un extractor de praf special.

La furtunul de praf (28) se poate conecta un furtun de aspirator. Pentru a face acest lucru, conectaţi pur şi simplu furtunul de aspirator la gura de aspirare a prafului.

4. OPERAREA



Înainte de a porni maşina, verificaţi întotdeauna dacă lama ferăstrăului este montată corect. Lama trebuie să se rotească uşor.



Verificaţi întotdeauna dispozitivele de protecţie înainte de utilizare.



Pentru toate tăieturile, trebuie mai întâi să vă asiguraţi că lama ferăstrăului nu poate intra în niciun moment în contact cu ghidajul, clema piesei de prelucrat sau alte piese ale maşinii. Îndepărtaţi orice opritoare auxiliare montate sau reglaţi-le corespunzător.

Suţinerea piesei de prelucrat (fig. H)

Piese de prelucrat trebuie întotdeauna susţinute corespunzător. Extensiile de masă (10) pot fi extinse la stânga şi la dreapta pentru a susţine o piesă de prelucrat. Pentru a face acest lucru:

1. Slăbiţi şurubul de blocare pentru extinderea mesei (34);
2. Deplasaţi extensia mesei (10) în poziţia dorită;
3. Strângeţi şurubul de blocare pentru extensia mesei (34).

Când tăiaţi piese lungi, capătul liber al pieselor lungi trebuie să aibă ceva suplimentar plasat dedesubt sau să fie sprijinit.

Prinderea piesei de prelucrat (fig. H)

Piese de prelucrat trebuie întotdeauna strânse ferm. Clema piesei de prelucrat (21) poate fi amplasată la stânga şi la dreapta piesei de prelucrat. Pentru a face acest lucru:

1. Asiguraţi-vă că piesa de prelucrat este presată ferm de ghidaj (9);
2. Introduceţi clema piesa de prelucrat furnizată (21) într-unul dintre orificiile destinate acestui scop, după cum se poate vedea în figura H;
3. Reglaţi tija filetată a clemei piesei de prelucrat (21) la înălţimea piesei de prelucrat;
4. Strângeţi bine tija filetată a clemei piesei de prelucrat (21) pentru a fixa piesa de prelucrat în poziţie. Pentru a slăbi, pur şi simplu strângeţi tija filetată a clemei piesei de prelucrat (21).

Butonul pentru clema piesei de prelucrat (44) poate fi utilizat pentru a regla mai rapid înălţimea clemei piesei de prelucrat (21). După reglarea înălţimii, strângeţi întotdeauna bine tija filetată a clemei piesei de prelucrat (21) pentru a fixa piesa de prelucrat în poziţie.

Reglarea ghidajului (fig. H)



Reglaţi întotdeauna ghidajul la tipul specific de tăiere.

Când tăiaţi unghiuri de înclinaţie şi / sau teşire, trebuie să deplasaţi ghidajul reglabil (7) în funcţie de direcţia de tăiere. În acest fel, piesa de prelucrat este întotdeauna susţinută corespunzător de ghidaj în fiecare condiţie. Pentru a face acest lucru:

1. Slăbiţi şurubul de blocare pentru ghidajul reglabil (35);
2. Reglaţi ghidajul în funcţie de tăierea dorită. Pentru tăieturi înclinate sau drepte, ghidajul trebuie deplasat spre interior spre lamă (maxim 8 mm) fără a-l atinge. Pentru tăieturile teşite, ghidajul trebuie îndepărtat în afară faţă de lamă (maxim 8 mm) fără a-l atinge;

3. Strângeți șurubul de blocare pentru ghidajul reglabil (35);
4. Pentru a vă asigura că lama nu va intra în contact cu ghidajul reglabil (35), se recomandă să efectuați o testare a mișcării lamei, fără a porni mașina.

Reglarea unghiului înclinat (fig. A)

Unghiul înclinat poate fi reglat între 45° partea stângă și 45° dreapta. Pentru setarea rapidă și precisă a unghiurilor înclinate utilizate în mod obișnuit, presetările sunt furnizate pe masa ferăstrăului pe unghiuri 0°, 15°, 22.5°, 30° și 45°.

Reglarea unghiului la o presetare:

1. Slăbiți butonul pentru ajustarea unghiului (14);
2. Trageți maneta pentru reglarea unghiului (15) și rotiți masa (11) la stânga sau la dreapta până la presetarea dorită. Unghiul poate fi citit pe scara pentru unghiul înclinat (16) folosind indicatorul pentru unghiul înclinat (17).
3. Eliberați maneta. Maneta trebuie simțită că se cuplează în oprirea presetării.
4. Strângeți butonul pentru ajustarea unghiului (14).

Reglarea ghidajului pentru tăieturi înclinate la unghiul dorit:

1. Slăbiți butonul pentru ajustarea unghiului (14);
2. Trageți maneta pentru reglarea unghiului (15) și rotiți masa (11) la stânga sau la dreapta până la poziția dorită. Unghiul poate fi citit pe scara pentru unghiul înclinat (16) folosind indicatorul pentru unghiul înclinat (17).
3. Eliberați maneta și strângeți butonul pentru ajustarea unghiului (14).

Reglarea unghiului de țesire (fig. A, B)

Unghiul de țesire poate fi setat între 0° și 45° în partea stângă. Pentru a face acest lucru:

1. Slăbiți butonul de reglare pentru reglarea țesirii (22);
2. Înclinați ferăstrăul folosind mânerul (2) până când indicatorul (19) citește poziția dorită pe scară pentru unghiul de țesire (20);
3. Strângeți butonul de reglare pentru reglarea țesirii (22).

Pornirea/oprirea mașinii (Fig. A)

- Pentru a porni aparatul, apăsați și mențineți apăsat butonul de blocare (1) pentru deblocarea apărătorii de protecție și apăsați butonul de pornire/oprire (3).

- Pentru a opri mașina, eliberați comutatorul de pornire/oprire (3).

Efectuarea unei tăieri transversale (fig. I, J)

Urmați acești pași pentru a tăia perpendicular pe fibra lemnului:

1. Reglați unghiul înclinației și unghiul de țesire la 0°;
2. Mutați ghidajul reglabil în poziția interioară, spre lamă. Distanța maximă dintre ghidajul reglabil (35) și lama ferăstrăului (6) este de 8 mm, așa cum se arată în figura J. Asigurați-vă că ghidajul nu atinge lama.
3. Strângeți bine piesa de prelucrat;
4. Porniți mașina. Asigurați-vă că lama ferăstrăului a atins turația maximă;
5. Acum aduceți mânerul încet în jos, astfel încât lama de ferăstrău să taie piesa de lucru și să treacă prin fanta din masă. Nu puneți presiune nejustificată pe ferăstrău, lăsați mașina să facă treaba;
6. Aduceți din nou mânerul ușor și opriți-l lăsând comutatorul.

Efectuarea unei tăieturi înclinate (fig. J, K)

Urmați acești pași pentru a face o tăietură unghiulară pe fața lemnului:

1. Reglați unghiul înclinației în poziția dorită și unghiul de țesire la 0°;
2. Mutați ghidajul reglabil în poziția interioară, spre lamă. Distanța maximă dintre ghidajul reglabil (35) și lama ferăstrăului (6) este de 8 mm, așa cum se arată în figura J. Asigurați-vă că ghidajul nu atinge lama.
3. Strângeți bine piesa de prelucrat;
4. Porniți mașina. Asigurați-vă că lama ferăstrăului a atins turația maximă;
5. Acum aduceți mânerul încet în jos, astfel încât lama de ferăstrău să taie piesa de lucru și să treacă prin fanta din masă. Nu puneți presiune nejustificată pe ferăstrău, lăsați mașina să facă treaba;
6. Aduceți din nou mânerul ușor și opriți-l lăsând comutatorul.

Efectuarea unei tăieri de țesire (fig. L, M)

Urmați acești pași pentru a face o tăietură unghiulară la marginea lemnului:

1. Reglați unghiul înclinației la 0° și unghiul de țesire la poziția dorită;
2. Mutați ghidajul reglabil în poziția exterioară, departe de lamă. Distanța maximă dintre ghida-

jul reglabil (35) și lama ferăstrăului (6) este de 8 mm, așa cum se arată în figura M. Asigurați-vă că ghidajul nu atinge lama.

3. Strângeți bine piesa de prelucrat. Asigurați-vă că clema piesei de prelucrat este așezată pe partea dreaptă;
4. Porniți mașina. Asigurați-vă că lama ferăstrăului a atins turația maximă;
5. Acum aduceți mânerul încet în jos, astfel încât lama de ferăstrău să taie piesa de lucru și să treacă prin fanta din masă. Nu puneți presiune nejustificată pe ferăstrău, lăsați mașina să facă treaba;
6. Aduceți din nou mânerul ușor și opriri-l lăsând comutatorul.

Efectuarea unei tăieri combinate (fig. M, N)

Urmați acești pași pentru a face o combinație de tăiere înclinată și tăiere teșită:

1. Reglați unghiul înclinației și unghiul de teșire la poziția dorită;
2. Mutați ghidajul reglabil în poziția exterioară, de parte de lamă. Distanța maximă dintre ghidajul reglabil (35) și lama ferăstrăului (6) este de 8 mm, așa cum se arată în figura M. Asigurați-vă că ghidajul nu atinge lama.
3. Strângeți bine piesa de prelucrat. Asigurați-vă că clema piesei de prelucrat este așezată pe partea dreaptă;
4. Porniți mașina. Asigurați-vă că lama ferăstrăului a atins turația maximă;
5. Acum aduceți mânerul încet în jos, astfel încât lama de ferăstrău să taie piesa de lucru și să treacă prin fanta din masă. Nu puneți presiune nejustificată pe ferăstrău, lăsați mașina să facă treaba;
6. Aduceți din nou mânerul ușor și opriri-l lăsând comutatorul.

Folosirea funcției de glisare

Pentru piese de lucru foarte largi, mașina este echipată cu o funcție de glisare. Când utilizați funcția de glisare, asigurați-vă că slăbiți șurubul de blocare pentru șinele glisante (29). Trageți mânerul (2) de la ghidaj (9) până când lama ferăstrăului este în fața piesei de prelucrat. Ghidați încet brațul sculei în jos folosind mânerul și apoi împingeți mânerul (2) spre ghidaj (9) și ferăstrăul prin piesa de prelucrat cu avans uniform.

Pentru piesele mici, este posibilă fixarea funcției de alunecare în poziția din spate a ferăstrăului cu șurubul de blocare pentru șinele glisante (29). Dacă se dorește o lățime de tăiere mai mare, atunci este necesar să slăbiți șurubul de blocare pentru șinele glisante (29).

Utilizarea opritorului de lungime (Fig. O)

Opritorul de lungime (8) de pe extensiile de masă din stânga și din dreapta (10) poate fi utilizat pentru tăierea ușoară a pieselor de prelucrat la aceeași lungime.

1. Deplasați opritorul de lungime (8) în sus;
2. Slăbiți șurubul de blocare pentru extinderea mesei (34);
3. Reglați extensia mesei (10) la lungimea dorită.
4. Strângeți șurubul de blocare pentru extensia mesei (34).

Reglarea opritorului de adâncime (Fig. P)

Opritorul de adâncime poate fi reglat, pentru a limita adâncimea de tăiere. Aceasta poate fi utilizată pentru a vedea cu ușurință o canelură. Pentru a face acest lucru:

1. Slăbiți piulița moletată pentru reglarea adâncimii (45);
2. Reglați butonul pentru reglarea adâncimii (24) la adâncimea dorită;
3. Strângeți piulița moletată pentru reglarea adâncimii (45).

Pornirea/oprirea laserului (Fig. B)

Apăsați comutatorul laserului (46) pentru a porni sau opri laserul. Comutatorul laserului (46) pornește, de asemenea, lumina de lucru cu LED-uri.

Reglaj fin



Înainte de orice lucrare de reglare, deconectați fișa de alimentare.

Pentru a asigura tăieri precise, setările de bază ale ferăstrăului trebuie verificate și ajustate înainte de prima utilizare, precum și necesare după o utilizare intensivă. Pentru aceasta sunt necesare unelte speciale adecvate. Serviciile post-vânzare Vonroc vă ajută pentru gestionarea rapidă și fiabilă a acestei lucrări.

Ajustarea fină a laserului (Fig. Q)

Notă: Pentru a testa funcția laser, scula electrică trebuie conectată la rețeaua de alimentare.



În timp ce reglați laserul (de ex. Când deplasați brațul sculei), nu activați niciodată comutatorul de pornire/oprire. Pornirea accidentală a sculei electrice poate duce la răniri.

Dacă laserul (18) nu mai indică linia de tăiere corectă, puteți reajusta laserul. Pentru a face acest lucru:

1. Slăbiți șuruburile de reglare a laserului (48) și setați laserul mișcându-l până când raza laser lovește dinții lamei ferăstrăului (6);
2. Strângeți șuruburile de reglare a laserului (48).

Reglarea fină a unghiului de teșire de 0° (Fig. R, S)

1. Reglați unghiul de înclinație și teșire la 0°;
2. Coborâți mânerul (2) și fixați-l folosind butonul de blocare a poziției (38);
3. Blocați mișcarea glisării utilizând șurubul de blocare pentru șinele glisante (29);
4. Setați un indicator de înclinație la 90° și așezați-l pe masă (11), așa cum se arată în figura S. Piciorul indicatorului trebuie să fie la același nivel cu lama ferăstrăului (6) pe toată lungimea sa;
5. Slăbiți piulița de blocare pentru unghiul de teșire de 0°(50);
6. Reglați șurubul de oprire pentru unghiul de teșire de 0° (32) până când indicatorul unghiular este la același nivel cu lama ferăstrăului pe toată lungimea sa;
7. Strângeți din nou piulița de blocare pentru unghiul de teșire de 0° (50).

Verificați ulterior poziția indicatorului de unghi (19). Dacă este necesar, slăbiți indicatorul cu ajutorul unei șurubelnițe Philips, setați-l pe poziția 0° pe scara pentru unghiul de teșire (20) și strângeți din nou șurubul de fixare.

Reglarea fină a unghiului de teșire de 45° (Fig. R, T)

1. Reglați unghiul de înclinație și teșire la 45°;
2. Coborâți mânerul (2) și fixați-l folosind butonul de blocare a poziției (38);
3. Blocați mișcarea glisării utilizând șurubul de blocare pentru șinele glisante (29);
4. Setați un indicator la 90° și așezați-l pe masă (11), așa cum se arată în figura T. Piciorul indicatorului trebuie să fie la același nivel cu lama ferăstrăului (6) pe toată lungimea sa;
5. Slăbiți piulița de blocare pentru unghiul de teșire de 45°(49);

6. Reglați șurubul de oprire pentru unghiul de teșire de 45° (31) până când indicatorul unghiular este la același nivel cu lama ferăstrăului pe toată lungimea sa;
7. Strângeți din nou piulița de blocare pentru unghiul de teșire de 45° (49).

Verificați ulterior poziția indicatorului de unghi (19). Dacă este necesar, slăbiți indicatorul cu ajutorul unei șurubelnițe Philips, setați-l pe poziția 45° pe scara pentru unghiul de teșire (20) și strângeți din nou șurubul de fixare.

Reglarea fină a unghiului de înclinație de 0° (Fig. U, V)

1. Setați un indicator la 0° pe masă (11) și poziționați-l între ghidaj (9) și lama ferăstrăului (6);
2. Piciorul indicatorului trebuie să fie la același nivel cu lama ferăstrăului (6) pe toată lungimea sa;
3. Slăbiți șuruburile de blocare pentru ghidajul reglabil (35) și apoi slăbiți șuruburile de siguranță pentru ghidajul reglabil (36).
4. Îndepărtați ambele ghidaje reglabile (7), de pe partea stângă și dreaptă, și identificați șuruburile ghidajului (51).
5. Slăbiți toate cele patru șuruburi ale ghidajului (51) și reglați ghidajul (9) până când piciorul indicatorului este la același nivel cu lama ferăstrăului pe toată lungimea sa;
6. Strângeți din nou toate cele patru șuruburi ale ghidajului (51). Verificați ulterior poziția indicatorului de unghi (17). Dacă este necesar, slăbiți indicatorul cu ajutorul unei șurubelnițe Philips, setați-l pe poziția 0° pe scara pentru unghiul de înclinație (16) și strângeți din nou șurubul de fixare.
7. Montați atât ghidajul reglabil din dreapta, cât și pe cel din stânga (7).
8. Strângeți șuruburile de blocare pentru ghidajul reglabil (35) și apoi strângeți șuruburile de siguranță pentru ghidajul reglabil (36).

5. ÎNTREȚINEREA



Asigurați-vă întotdeauna că mașina nu este conectată la rețeaua electrică atunci când efectuați lucrări de întreținere a mecanismului.

Curățați regulat carcasa cu o cârpă moale, de preferat după fiecare utilizare. Curățați fantele de

aerisire de praf și murdărie. Îndepărtați murdăria persistentă cu o cârpă moale înmuiată în clăbuci de săpun. Nu folosiți solvenți precum benzină, alcool, amoniac etc. Astfel de substanțe chimice vor deteriora componentele din plastic.

Curățarea apărătoarelor de protecție

Verificați întotdeauna apărătoarea de protecție (4) și dispozitivul de protecție retractabil (5) pentru resturi înainte de a utiliza mașina. Îndepărtați rumegușul și așchiile vechi folosind o perie sau un instrument similar.

Înlocuirea inserției de masă



Înlocuiți imediat inserțiile de masă deteriorate.

Cu o inserție de masă deteriorată (13) există riscul ca piesele mici să se blocheze între inserția de masă și lama ferăstrăului, blocând lama ferăstrăului. Pentru a înlocui inserția mesei:

1. Scoateți șuruburile inserției de masă cu ajutorul unei șurubelnițe Philips. Dacă este necesar, reglați unghiul de înclinație și teșire pentru a obține accesul la aceste șuruburi;
2. Scoateți inserția de masă;
3. Montați noua inserție pentru masă;
4. Strângeți șuruburile cu ajutorul unei șurubelnițe Philips.

Șine glisante

Murdăria poate deteriora șinele glisante (25) și, prin urmare, funcționarea mașinii.

- Curățați șinele glisante în mod regulat cu o cârpă moale;
- Puneți ulei de lubrifiere pe șinele glisante;
- Deplasați ferăstrăul înainte și înapoi, astfel încât uleiul să se întindă peste șinele complete.

MEDIU



Aparatele electrice sau electronice deteriorate și/sau defecte trebuie colectate în punctele de reciclare corespunzătoare.

Numai pentru țările din CE

Nu aruncați echipamentele acționate electric împreună cu gunoiul menajer. Conform Indicației europene 2012/19/UE pentru echipamente electrice și electronice uzate și a implementării sale la nivel național, echipamentele acționate electric scoase din uz trebuie colectate separat și evacuate într-o manieră ecologică.

GARANȚIE

Produsele VONROC sunt realizate la cele mai înalte standarde de calitate și sunt garantate în privința materialelor și a manoperei pentru întreaga perioadă de utilizare în garanție, începând cu data achiziției. În cazul în care produsul prezintă defecțiuni în perioada de garanție din cauza materialului defect și/sau a manoperei, contactați direct VONROC.

Următoarele circumstanțe sunt excluse de la această garanție:

- Reparațiile sau modificările care realizate sau care s-au încercat a fi efectuate de centre de service neautorizate;
- Uzura în condiții normale de utilizare;
- Scula care a fost utilizată într-un mod abuziv, neglijent sau întreținută în mod inadecvat;
- Folosirea unor piese de schimb neoriginale.

Aceasta acoperă garanția companiei, explicită sau implicită. Nu există alte garanții explicite sau implicite care să se extindă dincolo de cele indicate aici, incluzând garanțiile, vandabilitatea sau adecvarea pentru un anumit scop. În nicio situație, VONROC nu este responsabil pentru daunele accidentale sau subsecvente. Reparațiile efectuate de reprezentant trebuie să fie limitate la reparațiile sau la înlocuirea unităților sau a pieselor neconforme.

Produsul și manualul de utilizare pot suferi modificări. Specificațiile se pot modifica fără notificare prealabilă.

1. INSTRUÇÕES DE SEGURANÇA

Leia os avisos de segurança fornecidos, os avisos de segurança adicionais e as instruções. O não cumprimento dos avisos de segurança e das instruções pode resultar em choque eléctrico, incêndio e/ou ferimentos graves. Guarde os avisos de segurança e as instruções para referência futura.

Os seguintes símbolos são utilizados no manual do utilizador ou no produto:



Leia o manual do utilizador.



Indica o risco de ferimentos, morte ou danos na ferramenta se as instruções indicadas neste manual não forem seguidas.



Risco de choque eléctrico.



Mantenha as outras pessoas afastadas.



Use uma protecção contra poeira.



Use protecção auricular.



Use protecção ocular.



Atenção: Radiação laser. Não olhe fixamente para o feixe do laser de classe 2.



Mantenha as mãos afastadas da área de corte enquanto a máquina estiver em funcionamento. O contacto com a lâmina da serra pode causar ferimentos.



Área de perigo! Mantenha as mãos, dedos ou braços afastados desta área.



Transporte a máquina apenas quando esta estiver na posição de transporte interior.



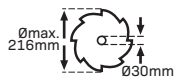
Máquina de classe II - isolamento duplo - Não é necessária uma ficha de ligação à terra.



O produto está em conformidade com as normas de segurança aplicáveis nas directivas europeias.



A protecção ajustável deve ser puxada para fora quando serra ângulos em esquadria/bisel.



Anote as dimensões da lâmina da serra. O diâmetro do furo deve instalar o eixo da ferramenta sem folgas. Se for necessário utilizar redutores, certifique-se de que as dimensões do redutor são adequadas para a espessura da lâmina de base e o diâmetro do furo da lâmina da serra, bem como o diâmetro do eixo da ferramenta. Se possível, utilize os redutores fornecidos com a lâmina da serra. O diâmetro da lâmina da serra deve corresponder às informações especificadas no símbolo.

AVISOS GERAIS DE SEGURANÇA SOBRE A FERRAMENTA ELÉCTRICA



ATENÇÃO! Leia todos os avisos de segurança, instruções, ilustrações e especificações fornecidos com esta ferramenta eléctrica. O não cumprimento de todas as instruções indicadas abaixo podem resultar em choque eléctrico, incêndio e/ou ferimentos graves.

Guarde todos os avisos e instruções para referência futura.

O termo "ferramenta eléctrica" indicado nos avisos diz respeito à ferramenta eléctrica com alimentação pela rede (com fio) ou por bateria (sem fio).

- 1) **Segurança na área de trabalho**
 - a) **Mantenha a área de trabalho limpa e devidamente iluminada.** As áreas obstruídas ou escuras são propícias a acidentes.
 - b) **Não utilize ferramentas eléctricas em atmosferas explosivas, por exemplo, na presença de líquidos, gases ou poeiras inflamáveis.** As ferramentas eléctricas produzem faíscas que podem causar ignição de poeiras ou vapores.

- c) **Quando utilizar uma ferramenta eléctrica, mantenha as crianças e transeuntes afastados.** As distrações podem causar perda de controlo.
- 2) **Segurança eléctrica**
- a) **As fichas da ferramenta eléctrica devem encaixar na tomada. Nunca modifique, de forma alguma, a ficha. Não utilize quaisquer fichas adaptadoras com ferramentas eléctricas ligadas à terra (massa).** As fichas e tomadas correspondentes não modificadas reduzem o risco de choque eléctrico.
- b) **Evite o contacto do corpo com superfícies ligadas à terra ou massa, como tubos, radiadores, fogões ou frigoríficos.** Há um maior risco de choque eléctrico se o corpo estiver ligado à terra ou à massa.
- c) **Não exponha as ferramentas eléctricas à chuva ou a ambientes húmidos.** A entrada de água numa ferramenta eléctrica aumenta o risco de choque eléctrico.
- d) **Não utilize o cabo de maneira abusiva. Nunca utilize o cabo para transportar, puxar ou desligar a ferramenta eléctrica. Mantenha o cabo afastado de fontes de calor, óleo, extremidades afiadas ou peças móveis.** Se os cabos estiverem danificados ou enrolados, há maior risco de choque eléctrico.
- e) **Quando utilizar uma ferramenta eléctrica no exterior, opte por uma extensão adequada para utilização no exterior.** A utilização de um cabo adequado para utilização no exterior reduz o risco de choque eléctrico.
- f) **Se não for possível evitar trabalhar com uma ferramenta eléctrica num local húmido, utilize uma fonte de alimentação protegida por um dispositivo de corrente residual (DCR).** A utilização de um DCR reduz o risco de choque eléctrico.
- 3) **Segurança eléctrica**
- a) **Esteja atento, preste atenção ao que está a fazer e tenha bom senso quando utilizar uma ferramenta eléctrica. Não utilize uma ferramenta eléctrica quando estiver cansado ou sob o efeito de drogas, álcool ou medicamentos.** Um momento de distração durante a utilização de ferramentas eléctricas pode resultar em ferimentos graves.
- b) **Use equipamento de protecção individual. Use sempre protecção ocular.** O equipamento de protecção, como, por exemplo, máscara de poeiras, sapatos de segurança antiderrapantes, capacete de segurança ou protecção auditiva, utilizado nas condições adequadas, reduz o risco de ferimentos.
- c) **Evite accionamentos acidentais. Assegure-se de que o gatilho está desligado antes de ligar a ferramenta à corrente eléctrica e/ou as baterias e antes de levantar ou transportar a ferramenta.** O transporte de ferramentas eléctricas com o dedo colocado no interruptor ou a ligação à corrente das ferramentas eléctricas com o interruptor ligado pode dar origem a acidentes.
- d) **Retire eventuais chaves de ajuste ou chaves de fendas antes de ligar a ferramenta eléctrica.** Uma chave de fenda ou de ajuste montada numa peça rotativa da ferramenta eléctrica pode causar ferimentos.
- e) **Não tente chegar a pontos fora do alcance. Mantenha-se sempre numa posição firme e bem equilibrada.** Desta forma, será mais fácil controlar a ferramenta eléctrica em situações inesperadas.
- f) **Use vestuário adequado. Não use roupa larga ou jóias. Mantenha o cabelo e a roupa afastados das peças móveis.** As roupas largas, as jóias ou o cabelo comprido podem ficar presos nestas peças.
- g) **Se for prevista a montagem de dispositivos de extracção e recolha de poeiras, assegure-se de que estão ligados e que são utilizados de forma correcta.** A utilização de dispositivos de extracção de poeiras pode reduzir os riscos inerentes.
- h) **Não permita que a familiaridade obtida através do uso frequente de ferramentas faça com que seja complacente e ignore os princípios de segurança da ferramenta.** Uma acção irreflectida pode causar ferimentos graves numa fracção de segundos.
- 4) **Utilização e cuidados a ter com a ferramenta com baterias**
- a) **Não sobrecarregue a ferramenta eléctrica. Utilize a ferramenta eléctrica correcta para o seu trabalho.** A ferramenta eléctrica adequada efectua o trabalho de maneira mais eficiente e segura se for utilizada de acordo com a capacidade para a qual foi concebida.
- b) **Não utilize a ferramenta eléctrica se não conseguir ligar ou desligar o gatilho.** Qualquer ferramenta eléctrica que não possa ser con-

trolada através do gatilho é perigosa e tem de ser reparada.

- c) **Retire a ficha da fonte de alimentação e/ou a bateria, caso seja desmontável, da ferramenta eléctrica antes de efectuar quaisquer ajustes, substituir acessórios ou guardar ferramentas eléctricas.** Estas medidas de segurança preventivas reduzem o risco de ligar a ferramenta eléctrica acidentalmente.
 - d) **Mantenha as ferramentas eléctricas que não estiverem a ser utilizadas fora do alcance das crianças. Não permita que a ferramenta eléctrica seja utilizada por pessoas não familiarizadas com a mesma ou que não tenham lido estas instruções.** As ferramentas eléctricas são perigosas nas mãos de pessoas que não possuem as qualificações necessárias para manuseá-las.
 - e) **Faça a manutenção das ferramentas eléctricas e dos acessórios. Verifique se as peças móveis da ferramenta eléctrica estão alinhadas e não emperram, bem como se existem peças partidas ou danificadas ou quaisquer outras condições que possam afectar o funcionamento da mesma. Se a ferramenta eléctrica estiver danificada, esta só deve ser utilizada quando for reparada.** Muitos acidentes têm como principal causa ferramentas eléctricas com uma manutenção insuficiente.
 - f) **Mantenha as ferramentas de corte afiadas e limpas.** As ferramentas de corte sujeitas a uma manutenção adequada, com arestas de corte afiadas, bloqueiam com menos frequência e controlam-se com maior facilidade.
 - g) **Utilize a ferramenta eléctrica, os acessórios e as peças de ferramenta, etc., de acordo com estas instruções, considerando as condições de trabalho e a tarefa a ser executada.** A utilização da ferramenta eléctrica para fins diferentes dos previstos pode resultar em situações perigosas.
 - h) **Mantenha as pegas e as superfícies de fixação secas, limpas e sem óleo e gordura.** Os punhos e as superfícies de fixação não permitem o manuseamento e o controlo seguros da ferramenta em situações imprevistas.
- 5) **Assistência**
- a) **A sua ferramenta eléctrica só deve ser reparada por pessoal qualificado e só devem ser utilizadas peças sobressalentes idênticas.** Desta forma, é garantida a segurança da ferramenta eléctrica.

INSTRUÇÕES ESPECÍFICAS DE SEGURANÇA

- **As serras de meia-esquadria são concebidas para cortar madeira ou produtos semelhantes a madeira. Não podem ser utilizadas com discos de corte abrasivos para cortar materiais ferrosos, como barras, hastes, vigas, etc.** As poeiras abrasivas fazem com que as peças móveis, como a protecção inferior, fiquem encravadas. As faíscas resultantes de cortes abrasivos queimam a protecção inferior, a área de corte e outras peças de plástico.
- **Use grampos para apoiar a peça de trabalho, sempre que for prático. Se segurar a peça de trabalho à mão, mantenha sempre a mão a pelo menos 100 mm de um dos lados da lâmina da serra. Não utilize esta serra para cortar pedaços demasiado pequenos para serem fixados em segurança ou segurados à mão.** Se colocar a mão demasiado perto da lâmina da serra, há um maior risco de ferimentos causados pelo contacto com a lâmina.
- **A peça de trabalho deve ser fixada e presa na protecção e na mesa. Nunca insira a peça de trabalho na lâmina nem faça um corte à mão livre.** As peças de trabalho descontroladas ou móveis podem ser projectadas a velocidades elevadas e causar ferimentos.
- **Empurre a serra através da peça de trabalho. Não empurre a serra através da peça de trabalho. Para fazer um corte, levante a cabeça da serra e puxe-a através da peça de trabalho sem efectuar o corte, ligue o motor, carregue na cabeça da serra para baixo e empurre a serra através da peça de trabalho.** O corte de tracção pode fazer com que a lâmina da serra salta para cima da peça de trabalho e projecte o conjunto da lâmina com violência na direcção do operador.
- **Nunca coloque a mão sobre a linha de corte pretendida, à frente ou atrás da lâmina da serra.** Apoiar a peça de trabalho de maneira cruzada, ou seja, segurando a peça de trabalho no lado direito da lâmina da serra com a mão esquerda ou vice-versa é muito perigoso.
- **Não aceda atrás da protecção com uma das mãos a uma distância inferior a 100 mm de um dos lados da lâmina da serra para retirar pedaços de madeira ou por qualquer outro motivo quando a lâmina estiver a rodar.** A proximidade da lâmina da serra giratória com a sua mão pode não ser óbvia e pode sofrer ferimentos graves.
- **Inspeccione a peça de trabalho antes de efectuar o corte. Se a peça de trabalho estiver**

dobrada ou distorcida, fixe-a com o lado curvo exterior na direcção da protecção. Certifique-se sempre de que não existe uma folga entre a peça de trabalho, a protecção e a mesa ao longo da linha de corte. As peças de trabalho dobradas ou distorcidas podem torcer ou desviar e podem causar bloqueio na lâmina da serra giratória durante o corte. Não deve haver pregos ou objectos estranhos na peça de trabalho.

- **Só deve utilizar a serra depois de retirar da mesa todas as ferramentas, pedaços de madeira, etc., excepto a peça de trabalho.** Pequenos resíduos ou peças soltas de madeira ou outros objectos que entrem em contacto com a lâmina rotativa podem ser projectados a velocidade elevada.
- **Corte apenas uma peça de trabalho de cada vez.** Se estiverem empilhadas várias peças de trabalho, estas não podem ser fixadas ou travadas e podem ficar bloqueadas na lâmina ou eixo durante o corte.
- **Certifique-se de que a serra de meia-esquadria é montada ou colocada numa superfície de trabalho nivelada e firme antes de utilizar.** Uma superfície nivelada e firme reduz o risco da serra de meia-esquadria ficar instável.
- **Planeie o trabalho. Sempre que alterar a regulação do ângulo de bisel ou em esquadria, certifique-se de que a protecção ajustável é regularmente e não interfere com a lâmina ou o sistema de protecção.** Sem ligar a ferramenta e sem colocar uma peça de trabalho na mesa, mova a lâmina da serra através de um corte simulado completo para garantir que não há interferência ou risco de corte da protecção.
- **Forneça um apoio adequado, como extensões de mesa, cavaletes, etc., se a peça de trabalho for mais larga ou mais comprida do que o tempo da mesa.** As peças de trabalho mais compridas ou mais largas do que a mesa de serra de meia-esquadria podem cair se não forem apoiadas com firmeza. Se a peça de corte ou a peça de trabalho cair, pode levantar a protecção inferior ou podem ser projectadas pela lâmina rotativa.
- **Não peça a uma pessoa para servir como substituto para uma extensão ou como suporte adicional.** O suporte instável pode fazer com que a peça de trabalho fique dobrada ou a peça de trabalho fique desviada durante a operação de corte e puxe-o a si e ao seu ajudante na direcção da lâmina rotativa.

- **A peça de corte não deve ficar encravadas nem pressionada seja como for contra a lâmina da serra rotativa.** Se estiver confinado, ou seja, se fizer paragens prolongadas, a peça de corte pode ficar presa na lâmina e projectada com violência.
- **Utilize sempre um grampo ou um acessório concebido para fixar correctamente material redondo, como hastes ou tubagens.** As hastes têm tendência para rodar quando estão a ser cortadas, fazendo com que a lâmina fique presa e puxe a peça de trabalho com a mão na direcção da lâmina.
- **Deixe a lâmina atingir a velocidade máxima antes de entrar em contacto com a peça de trabalho.** Isto reduz o risco da peça de trabalho ser projectada.
- **Se a peça de trabalho ou a lâmina ficarem encravadas, desligue a serra de meia-esquadria. Aguarde até todas as peças móveis pararem, em seguida, desligue a ficha da fonte de alimentação e/ou retire a bateria. Em seguida, liberte o material encravado.** A serragem contínua com uma peça de trabalho encravadas pode causar perda de controlo ou danos na serra de meia-esquadria.
- **Quando terminar o corte, liberte o gatilho, segure na cabeça da serra para baixo e aguarde até a lâmina parar e depois retire a peça de corte.** É perigoso colocar a mão perto da lâmina quando estiver a parar de rodar.
- **Segure na pega com firmeza quando fizer um corte incompleto ou se libertar o gatilho antes da cabeça da serra estar totalmente para baixo.** A acção de travagem da serra pode fazer com que a cabeça da serra seja empurrada de súbito para baixo, causando o risco de ferimentos.
- **Mantenha a área de trabalho limpa.** É especialmente perigoso utilizar materiais diferentes. As poeiras de metais finas podem incendiar-se ou explodir.
- **Não utilize lâminas de serra gastas, rachadas, dobradas ou danificadas. Lâminas de serra não afiadas ou apertadas incorrectamente podem fazer com que o corte fique estreito e causar atrito excessivo, bloqueio da lâmina e efeito de recuo.**
- **Não utilize lâminas de aço para corte rápido (HSS).** Esse tipo de lâminas de serra podem partir-se facilmente.
- **Utilize sempre lâminas de serra com tamanho e forma correctos (de diamante em vez de redonda) dos furos do eixo.** As lâminas de

serra que não correspondam aos acessórios de montagem da serra funcionam fora do centro, causando perda de controlo.

- **Não substitua o laser integrado por um laser de outro tipo.** Um laser que não seja compatível com esta ferramenta eléctrica pode ser perigosa para as pessoas.
- **Nunca retire entalhes, aparas de madeira, etc., da área de corte quando a ferramenta eléctrica estiver a funcionar.** Oriente sempre o braço da ferramenta primeiro para a posição neutra e depois desligue a ferramenta eléctrica.
- **Depois de trabalhar, só deve tocar na lâmina da serra depois de arrefecer.** A lâmina da serra fica muito quente durante o trabalho.
- **Nunca faça com que os sinais de aviso da máquina fiquem irreconhecíveis.**
- **Se a radiação laser entrar em contacto com os seus olhos, deve fechá-los e afastar a cabeça de imediato do feixe.**
- **Não utilize instrumentos ópticos, como binóculos para ver a fonte de radiação.** Se o fizer, pode sofrer ferimentos oculares.
- **Não aponte o feixe laser a pessoas que estejam a olhar através de binóculos ou outros instrumentos semelhantes.** Se o fizer, podem sofrer ferimentos oculares.
- **Não efectue quaisquer modificações no equipamento laser.** As opções de definição descritas nestas instruções de funcionamento podem ser utilizadas em segurança.
- **Não fique alinhado com a lâmina da serra à frente da ferramenta eléctrica.** Coloque-se sempre na parte lateral da lâmina da serra. Isto protege o seu corpo de um possível efeito de recuo.
- **Mantenha as mãos, os dedos e os braços afastados da lâmina da serra rotativa.**
- **Quando estiver à frente do braço da ferramenta, não cruze um braço à frente do outro.**
- **Evite aquecer demasiado os dentes da serra. Pare a máquina se a lâmina da serra aquecer demasiado.** Aguarde até a lâmina da serra arrefecer antes de voltar a utilizar a máquina.
- **Substitua as lâminas da serra danificadas ou gastas de imediato.**
- **Utilize apenas as lâminas de serra que correspondam às especificações indicadas neste manual de utilizador e que tenham sido testadas e assinaladas de acordo com a norma EN 847-1.**
- **Quando serrar peças de trabalho curvas ou redondas, estas devem estar bem fixadas contra**

deslizamento. Na linha de corte, não deve haver uma folga entre a peça de trabalho, a protecção e a mesa da serra. Se necessário, terá de fabricar acessórios especiais.

Segurança eléctrica



Verifique sempre se a tensão da fonte de alimentação corresponde à tensão na placa sinalética.

- Se o cabo de alimentação desta ferramenta eléctrica estiver danificado, deve ser substituído por um cabo de alimentação especialmente preparado, disponível através do serviço de assistência.
- Utilize apenas extensões que sejam adequadas para a potência nominal da máquina com uma espessura mínima de 1,5 mm². Se utilizar um enrolador de extensão, desenrole sempre o cabo por completo.

2. INFORMAÇÕES SOBRE A MÁQUINA

Utilização pretendida

Esta ferramenta foi concebida para ser uma máquina fixa para fazer cortes longitudinais e transversais em madeira na direcção do grão e na direcção oposta do grão. É possível fazer cortes com ângulo de esquadria entre -45° e +45° e com ângulo de bisel entre -0° e +45°. A ferramenta eléctrica com a lâmina da serra montada com capacidade suficiente para serrar madeira dura e macia, bem como aglomerados de partículas e fibras. A lâmina da serra não foi concebida para cortar lenha. Não utilize a serra para cortar materiais que não sejam os especificados no manual.

ESPECIFICAÇÕES TÉCNICAS

Modelo n.º	MS504AC
Tensão	220 - 240 V ~
Frequência	50 Hz
Alimentação	1800 W S1 - 2200 W S6, 40 %*
Sem velocidade de carga	5200/min
Ângulos de esquadria	-45° <> +45°
Ângulos em bisel	-45° <> 0° para a esquerda, com chanfrado lateral

Especificações da lâmina da serra:	
Diâmetro	Ø 216 mm
Espessura da lâmina da base	1,6 mm
Largura de corte	2,8 mm
Diâmetro do furo	Ø 30 mm
Número de dentes	40T
Capacidade de serragem (altura x largura):	
0° de esquadria - 0° de bisel	65 x 300 mm
0° de esquadria - 45° de bisel	38 x 300 mm
45° de esquadria - 0° de bisel	65 x 200 mm
45° de esquadria - 45° de bisel	38 x 200 mm
Dimensões mín. da peça de trabalho	3 x 10 mm
Especificações do laser:	
Classe	2
Comprimento de onda	650 nm
Saída	< 1 mW
Peso	14 kg
L _{pa} (nível de pressão sonora)	98 dB(A), KpA: 3 dB (A)
L _{wa} (nível de potência sonora)	111 dB(A), KWA: 3 dB (A)

- * S6, ciclo de funcionamento periódico contínuo. Ciclos de funcionamento idênticos com um período na carga, seguido de um período sem carga. Tempo de funcionamento, 10 minutos; o ciclo de funcionamento corresponde a 40 % do tempo de funcionamento.

DESCRIÇÃO

Os números indicados no texto dizem respeito aos diagramas nas páginas 2 e 7.

1. Botão de desbloqueio
2. Pega
3. Interruptor para ligar/desligar
4. Resguardo de protecção
5. Resguardo de protecção retráctil
6. Lâmina da serra
7. Protecção ajustável
8. Batente longitudinal
9. Protecção
10. Extensão da mesa
11. Mesa

12. Orifícios de montagem
13. Placa de corte
14. Botão de regulação de esquadria
15. Patilha de regulação de esquadria
16. Régua para ângulo de esquadria
17. Indicador do ângulo de esquadria
18. Laser
19. Indicador do ângulo de bisel
20. Régua para ângulo de bisel
21. Grampo da peça de trabalho
22. Botão de regulação do bisel
23. Rolo
24. Parafuso de regulação de profundidade
25. Guias telescópicas
26. Saco de poeira
27. Pega de transporte
28. Saída de pó
29. Parafuso de bloqueio das guias telescópicas
30. Braço de esquadria
31. Parafuso do batente do ângulo de bisel de 45°
32. Parafuso do batente do ângulo de bisel de 0°
33. Parafuso de bloqueio de fixação da peça de trabalho
34. Parafuso de bloqueio da extensão da mesa
35. Parafuso de bloqueio da protecção ajustável
36. Cavilha de segurança da protecção ajustável
37. Protecção de inclinação dianteira
38. Botão de bloqueio da posição
39. Botão do braço de esquadria
40. Parafuso de fixação
41. Flange de montagem
42. Parafuso de fixação
43. Bloqueio do eixo
44. Botão do grampo da peça de trabalho
45. Porca serrilhada de regulação de profundidade
46. Luz de trabalho LED
47. Cavilha do braço de esquadria
48. Parafusos de regulação do laser
49. Porca de travamento do ângulo de bisel de 45°
50. Porca de travamento do ângulo de bisel de 0°
51. Parafusos da protecção
52. Suporte do braço de esquadria

3. MONTAGEM



Antes de efectuar qualquer tarefa de manutenção na máquina, desligue a ficha de alimentação da fonte de alimentação.

Posição de transporte (Fig. B, C)

O botão de bloqueio da posição (38) torna mais fácil a deslocação da ferramenta eléctrica quando transportá-la para vários locais de trabalho.

Desbloquear a posição de transporte (posição de trabalho)

1. Carregue na pega (2) ligeiramente para baixo;
2. Puxe o botão de bloqueio da posição (38) totalmente para fora e rode-o para fixá-lo na posição pretendida;
3. Mova a pega (2) lentamente para cima.

Bloquear a posição de transporte (posição de transporte)

Antes de bloquear na posição de transporte, certifique-se de que o parafuso de regulação de profundidade (24) é ajustado para profundidade ilimitada. Assim, a pega (2) pode ser movida totalmente para baixo sem tocar no batente de profundidade. Além disso, retire todos os acessórios que não possam ser montados com firmeza na máquina.

1. Afrouxe o parafuso de bloqueio das guias telescópicas (29), caso seja apertado;
2. Puxe a pega (2) para a sua direcção e aperte o parafuso de bloqueio das guias telescópicas (29);
3. Carregue na pega (2) totalmente para baixo;
4. Para bloquear o botão de bloqueio da posição (38) empurre-o primeiro e depois rode-o;
5. Enrole o cabo de rede e amarre-o em conjunto com a alça do cabo fornecido.

Depois de bloquear a posição de transporte, utilize a pega de transporte (27) para segurar e transportar a máquina em segurança.



Utilize apenas a pega de transporte para transportar a máquina e nunca os resguardos de protecção.

Montagem do braço de esquadria (Fig. D, Y)

A parte dianteira da superfície da mesa, doravante referida como braço de esquadria (30), pode ser retirada para atingir dimensões exteriores mais pequenas do que a já compacta serra de esquadria. Para montar o braço de esquadria:

1. Desbloqueie a posição de transporte (posição de trabalho);
2. Afrouxe o botão de regulação da esquadria (14);
3. Rode a mesa (11) para a esquerda ou direita para a predefinição de 0°. O ângulo pode ser lido

- na régua para ângulo de esquadria (16) utilizando o indicador do ângulo de esquadria (17);
4. Puxe e mantenha premido o botão do braço de esquadria (39), como indicado na Figura D1 utilizando uma mão;
5. Com a outra mão, insira o braço de esquadria (30) na mesa (11), como indicado na Figura D2, enquanto puxa a alavanca do ajuste de esquadria (15). Certifique-se de que as extremidades do triângulo invertido do braço de esquadria (30) encaixam correctamente nos entalhes com forma idêntica na mesa (11);
6. Em seguida, liberte o botão do braço de esquadria (39) e a alavanca do ajuste de esquadria (15);
7. Fixe o braço de esquadria (30), apertando a cavilha do braço de esquadria (47), como indicado na Figura D-3.

Nota: depois de desmontado, o braço de esquadria (30) pode ser armazenado no suporte do braço de esquadria (52), como indicado na Figura Y.

Instalação de uma máquina fixa (Fig. A, B, D)

Para garantir um manuseamento seguro, a ferramenta eléctrica deve ser montada numa superfície de trabalho plana e estável (por exemplo, uma bancada de trabalho) antes de ser utilizada. Pode instalar a máquina de três maneiras:

1. Numa bancada

Neste caso, a máquina deve ser fixada na bancada de trabalho, utilizando parafusos de montagem. Utilize os quatro furos (12) para esta operação. Como indicado na Fig. D.

2. Numa estrutura inferior

Leia todos os avisos e instruções fornecidos com o suporte da serra. O não cumprimento dos avisos e das instruções pode resultar em choque eléctrico, incêndio e/ou ferimentos graves.



Monte o suporte da serra correctamente antes de montar a ferramenta eléctrica. A montagem correcta é importante para evitar o risco de colapso.

Neste caso, a máquina deve ser fixada na estrutura inferior com parafusos. Utilize os quatro furos (12) para esta operação. O quadro inferior deve ser

fixado com 4 parafusos na placa de apoio. Deve ter, pelo menos, 1 metro quadrado. Monte a ferramenta eléctrica no suporte da serra na posição de transporte.

3. Instalação flexível



Este tipo de instalação não é recomendada pelo fabricante.

Se, em circunstâncias excepcionais, não é possível montar a ferramenta eléctrica numa superfície de trabalho plana e estável, pode improvisá-la, instalando-a com o sistema de protecção contra queda.



Sem a protecção contra queda, a ferramenta eléctrica não fica estável e pode cair, especialmente quando serrar ângulos máximos em esquadria e/ou em bisel.

- O sistema de protecção contra queda traseiro está fixado na base da máquina e não pode ser regulado.
- Rode a protecção de inclinação dianteira (37) para dentro ou para fora, como indicado na Figura F até a ferramenta eléctrica ficar nivelada na superfície de trabalho.

Verificar o resguardo de protecção (Fig. A)

O resguardo de protecção retráctil (5) protege contra o contacto accidental com a lâmina da serra e impede a projecção das aparas da serra. Antes de utilizar, deve verificar se a protecção da lâmina da serra está a funcionar correctamente. Para fazê-lo, puxe a pega (2) para baixo e verifique o seguinte:

- O resguardo de protecção retráctil (5) deve fornecer acesso à lâmina da serra (6) sem entrar em contacto com outras peças.
- Quando dobra a serra para cima na posição inicial, o resguardo de protecção retráctil (5) cobre por completo a lâmina da serra (6) automaticamente.

Substituir a lâmina da serra (Fig. G)



Antes de efectuar qualquer tarefa de manutenção na máquina, desligue a ficha de alimentação da fonte de alimentação.



Quando montar a lâmina da serra, use luvas de protecção. Há o risco de ferimentos se tocar na lâmina da serra.



Utilize apenas lâminas da serra de acordo com os dados de características indicados nas instruções de funcionamento. Utilize apenas lâminas de serra que estejam assinaladas com uma velocidade igual ou superior à velocidade assinalada na máquina.



Não utilize, em nenhuma circunstância, os discos de rectificação como ferramenta de corte.

Antes de substituir a lâmina da serra, recomenda-se vivamente que regule o ângulo de esquadria e o ângulo de bisel para 0°. Caso contrário, o acesso pode ser limitado.

Retirar a lâmina da serra

1. Bloqueie a serra para cima, utilizando o botão de bloqueio da posição (38);
2. Desaperte o parafuso de fixação (40) com uma chave de fendas Philips, como indicado na Figura G1; AVISO! Não retire por completo o parafuso de fixação (40), afrouxe-o apenas.
3. Dobre o resguardo de protecção retráctil (5) para cima até conseguir aceder facilmente ao parafuso de fixação (42), como indicado na Figura G2;
4. Insira a chave hexagonal no parafuso de fixação (42). O resguardo de protecção retráctil (5) pode ser libertado, fica dobrado na chave hexagonal.
5. Rode o parafuso de fixação (42) com a chave hexagonal (34) e, ao mesmo tempo, carregue no bloqueio do eixo (43) até ficar encaixado.
6. Segure com firmeza no bloqueio do eixo (43) e afrouxe o parafuso de fixação (42), rodando-o para a direita (rosca esquerda).
7. Retire o parafuso de fixação (42) e a flange de montagem (41). Em seguida, pode retirar a lâmina da serra (6).

Montar a lâmina da serra



Quando montar a lâmina da serra, certifique-se de que a direcção de corte dos dentes (direcção da seta na lâmina da serra) corresponde à direcção da seta no resguardo (4).



Quando montar a lâmina da serra (6), verifique se roda livremente na placa de corte (13) nas regulações de ângulo de 0° e 45°.

1. Limpe a lâmina da serra e todas as peças de fixação que vão ser montadas.
2. Desaperte o parafuso de fixação (40) com uma chave de fendas Philips, como indicado na Figura G1; AVISO! Não retire por completo o parafuso de fixação (40), afrouxe-o apenas.
3. Dobre o resguardo de protecção retráctil (5) para cima até conseguir aceder facilmente ao parafuso de fixação (42), como indicado na Figura G2;
4. Insira a chave hexagonal no parafuso de fixação (42). O resguardo de protecção retráctil (5) pode ser libertado, fica dobrado na chave hexagonal.
5. Monte a flange de montagem (41). Verifique se os lados planos da flange de montagem correspondem aos lados planos do eixo da lâmina. Verifique também se o lado convexo da flange de montagem está montado na parte exterior.
6. Rode o parafuso de fixação (42) e rode-o com a chave hexagonal e, ao mesmo tempo, carregue no bloqueio do eixo (43) até ficar encaixado.
7. Segure com firmeza no bloqueio do eixo (43) e aperte o parafuso de fixação (42), rodando-o para a esquerda.

Extracção de poeira (Fig. A, B, W, X)



Forneça ventilação adequada no local de trabalho.



Use protecção contra poeira.

A poeira produzida por materiais como tinta de chumbo e alguns tipos de madeira pode ser nociva para a sua saúde. A inalação desta poeira pode causar reacções alérgicas e/ou causar doenças respiratórias no utilizador ou nas pessoas que estejam por perto. Algumas poeiras, como as de carvalho ou faia, são classificadas como cancerígenas, em especial em conjunto com aditivos para tratamento de madeira (cromatos, preservantes de madeira). Recomendamos vivamente que utilize um sistema de extracção de poeira adequado para o material, sempre que possível.



Evite a acumulação de poeira no local de trabalho. A poeira pode incendiar-se facilmente.

O sistema de extracção de poeira pode ficar obstruído com poeira, aparas ou fragmentos da peça de trabalho. Por conseguinte, deve ser limpo com frequência. Para fazê-lo:

1. Desligue a ficha de alimentação da fonte de alimentação.
2. Aguarde até a lâmina da serra parar por completo.
3. Se necessário, retire qualquer obstrução

Montar o saco de poeira (Fig. W)

Carregue no grampo do saco de poeira (26) e encaixe-o na saco de poeira (28) na parte de trás da máquina. O saco de poeira permanece fixado quando libertar o grampo.

Ligar um aspirador (Fig. X)



O dispositivo de extracção de poeira deve ser adequado para o material que esteja a ser trabalhado.



Quando aspirar pó seco muito nocivo para a saúde ou cancerígeno, utilize um dispositivo de extracção de poeira especial.

Pode ser ligado uma mangueira do aspirador à saída de pó (28). Para fazê-lo, basta ligar a mangueira do aspirador ao bico de extracção de poeira.

4. FUNCIONAMENTO



Antes de ligar a máquina, verifique sempre se a lâmina da serra está montada correctamente. A lâmina deve rodar sem problemas.



Verifique sempre os resguardos de protecção antes de utilizar a máquina.



No que respeita a todos os cortes, deve garantir primeiro que a lâmina da serra nunca entra em contacto com a protecção, o sistema de fixação da peça de trabalho ou outras peças de máquina. Retire os batentes auxiliares montados ou ajuste-os em conformidade.

Suportar a peça de trabalho (Fig. H)

As peças de trabalho devem ser sempre suportadas correctamente. As extensões da mesa (10)

podem ser esticadas à esquerda e à direita para apoiar a peça de trabalho. Para fazê-lo:

1. Afrouxe o parafuso de bloqueio da extensão da mesa (34);
2. Coloque a extensão da mesa (10) para a posição pretendida;
3. Aperte o parafuso de bloqueio da extensão da mesa (34).

Quando serrar peças de trabalho muito grandes, a extremidade livre de peças de trabalho compridas deve ser instalada adicionalmente debaixo da peça de trabalho ou tem de ser apoiado.

Fixar a peça de trabalho (Fig. H)

As peças de trabalho devem ser sempre fixadas com firmeza. O grampo da peça de trabalho (21) pode ser colocado à esquerda e direita da peça de trabalho. Para fazê-lo:

1. Certifique-se de que a peça de trabalho é carregada com firmeza contra a protecção (9);
2. Insira o grampo da peça de trabalho (21) num dos furos concebidos para esta finalidade, como se pode verificar na Figura H;
3. Ajuste a haste roscada do grampo da peça de trabalho (21) à altura da peça de trabalho;
4. Aperte com firmeza a haste roscada do grampo da peça de trabalho (21) para corrigir a altura da peça de trabalho. Para afrouxar, desaperte facilmente a haste roscada do grampo da peça de trabalho (21).

O botão do grampo da peça de trabalho (44) pode ser utilizado para ajustar mais depressa a altura do grampo da peça de trabalho (21). Depois de ajustar a altura, aperte sempre com firmeza a haste roscada do grampo da peça de trabalho (21) para fixar a peça de trabalho.

Ajustar a protecção (Fig. H)



Ajuste sempre a protecção ao tipo de corte específico.

Quando serrar ângulos de esquadria e/ou bisel, tem de mover a protecção ajustável (7), dependendo da direcção de corte. Assim, a peça de trabalho é suportada sempre correctamente pela protecção, seja quais forem as condições. Para fazê-lo:

1. Afrouxe o parafuso de bloqueio da protecção ajustável (35);

2. Ajuste a protecção de acordo com o corte pretendido. Para fazer cortes em esquadria ou rectos, é necessário mover a protecção para dentro na direcção da lâmina (máximo de 8 mm) sem tocar-lhe. Para fazer cortes em bisel, é necessário mover a protecção para fora a partir da lâmina (máximo de 8 mm) sem tocar-lhe;
3. Aperte o parafuso de bloqueio da protecção ajustável (35);
4. Para garantir que a lâmina não entra em contacto com a protecção ajustável (35), é aconselhável fazer um teste do movimento da lâmina sem ligar a máquina.

Regular o ângulo de esquadria (Fig. A)

O ângulo de esquadria pode ser ajustado entre 45° para a esquerda e 45° para a direita. Para uma regulação rápida e rigorosa de ângulos de esquadria utilizados com frequência, a mesa da serra tem predefinições de ângulos de 0°, 15°, 22,5°, 30° e 45°.

Regular o ângulo de esquadria para um valor predefinido:

1. Afrouxe o botão de regulação da esquadria (14);
2. Puxe a patilha de regulação de esquadria (15) e rode a mesa (11) para a esquerda ou direita para a predefinição pretendida. O ângulo pode ser lido na régua para ângulo de esquadria (16) utilizando o indicador do ângulo de esquadria (17).
3. Liberte a patilha. A patilha deve fazer uma certa pressão para encaixar na saliência da predefinição.
4. Aperte o botão de regulação da esquadria (14).

Regular o ângulo de esquadria para um ângulo predefinido:

1. Afrouxe o botão de regulação da esquadria (14);
2. Puxe a patilha de regulação de esquadria (15) e rode a mesa (11) para a esquerda ou direita para a posição pretendida. O ângulo pode ser lido na régua para ângulo de esquadria (16) utilizando o indicador do ângulo de esquadria (17).
3. Liberte a patilha e aperte o parafuso de regulação de esquadria (14).

Regular o ângulo de bisel (Fig. A, B)

O ângulo de bisel pode ser regulado entre 0° e +45° para a esquerda. Para fazê-lo:

1. Afrouxe o botão de regulação de regulação do bisel (22);

- Incline a serra com a pega (2) até o indicador (19) ler a posição pretendida na régua do ângulo de bisel (20);
- Aperte o botão de regulação de regulação do bisel (22).

Ligar/desligar a máquina (Fig. A)

- Para ligar a máquina, mantenha o botão de desbloqueio (1) premido para desbloquear o resguardo de protecção e, em seguida, prima o botão para ligar/desligar (3).
- Para parar a máquina, liberte o interruptor para ligar/desligar (3).

Fazer um corte transversal (Fig. I, J)

Siga estes passos para fazer um corte perpendicular ao grão da madeira:

- Ajuste o ângulo de esquadria e o ângulo de bisel para 0°;
- Coloque a protecção ajustável na posição interior, na direcção da lâmina. A distância máxima entre a protecção ajustável (35) e a lâmina da serra (6) é de 8 mm, como indicado na Figura J. Certifique-se de que a protecção não toca na lâmina.
- Fixe a peça de trabalho com firmeza;
- Ligue a máquina. Certifique-se de que a lâmina da serra atingiu a velocidade máxima;
- Em seguida, desça a pega lentamente para que a lâmina da serra corta a peça de trabalho e passa através da ranhura na mesa. Não aplique demasiada pressão na serra, deixe a máquina executar o trabalho;
- Puxe a pega com cuidado para cima novamente e desligue-a, libertando o interruptor.

Fazer um corte de esquadria (Fig. J, K)

Siga estes passos para fazer um corte em ângulo na superfície da madeira:

- Ajuste o ângulo de esquadria para a posição pretendida e o ângulo de bisel para 0°;
- Coloque a protecção ajustável na posição interior, na direcção da lâmina. A distância máxima entre a protecção ajustável (35) e a lâmina da serra (6) é de 8 mm, como indicado na Figura J. Certifique-se de que a protecção não toca na lâmina.
- Fixe a peça de trabalho com firmeza;
- Ligue a máquina. Certifique-se de que a lâmina da serra atingiu a velocidade máxima;

- Em seguida, desça a pega lentamente para que a lâmina da serra corta a peça de trabalho e passa através da ranhura na mesa. Não aplique demasiada pressão na serra, deixe a máquina executar o trabalho;
- Puxe a pega com cuidado para cima novamente e desligue-a, libertando o interruptor.

Fazer um corte de bisel (Fig. L, M)

Siga estes passos para fazer um corte em ângulo na extremidade da madeira:

- Ajuste o ângulo de esquadria para 0° e o ângulo de bisel para a posição pretendida;
- Coloque a protecção ajustável na posição exterior, afastada da lâmina. A distância máxima entre a protecção ajustável (35) e a lâmina da serra (6) é de 8 mm, como indicado na Figura M. Certifique-se de que a protecção não toca na lâmina.
- Fixe a peça de trabalho com firmeza. Assegure-se de que o grampo da peça de trabalho é colocado no lado direito;
- Ligue a máquina. Certifique-se de que a lâmina da serra atingiu a velocidade máxima;
- Em seguida, desça a pega lentamente para que a lâmina da serra corta a peça de trabalho e passa através da ranhura na mesa. Não aplique demasiada pressão na serra, deixe a máquina executar o trabalho;
- Puxe a pega com cuidado para cima novamente e desligue-a, libertando o interruptor.

Fazer um corte composto (Fig. M, N)

Siga estes passos para fazer uma combinação de um corte de esquadria e bisel:

- Ajuste o ângulo de esquadria e o ângulo de bisel para a posição pretendida;
- Coloque a protecção ajustável na posição exterior, afastada da lâmina. A distância máxima entre a protecção ajustável (35) e a lâmina da serra (6) é de 8 mm, como indicado na Figura M. Certifique-se de que a protecção não toca na lâmina.
- Fixe a peça de trabalho com firmeza. Assegure-se de que o grampo da peça de trabalho é colocado no lado direito;
- Ligue a máquina. Certifique-se de que a lâmina da serra atingiu a velocidade máxima;
- Em seguida, desça a pega lentamente para que a lâmina da serra corta a peça de trabalho e passa através da ranhura na mesa. Não aplique

demasiada pressão na serra, deixe a máquina executar o trabalho;

6. Puxe a pega com cuidado para cima novamente e desligue-a, libertando o interruptor.

Utilizar a função de encaixe

Para peças de trabalho extra largas, a máquina está equipada com uma função deslizante. Quando utilizar a função de encaixe, certifique-se de que afrouxa o parafuso de bloqueio das guias telescópicas (29). Puxe a pega (2) para longe da protecção (9) até a lâmina da serra ficar à frente da peça de trabalho. Empurre lentamente o braço da ferramenta para baixo utilizando a pega e, em seguida, empurre a pega (2) na direcção da protecção (9) e serre através da peça de trabalho com um avanço uniforme.

Para as peças de trabalho pequenas, é possível fixar a função de encaixe na posição traseira da serra com o parafuso de bloqueio das guias telescópicas (29). Se for necessária uma largura de corte superior, deve desapertar o parafuso de bloqueio das guias telescópicas (29).

Utilizar o batente longitudinal (Fig. O)

O batente longitudinal (8) nas extensões da mesa esquerda e direita (10) pode ser utilizado para serrar facilmente as peças de trabalho com o mesmo comprimento.

1. Mova o batente longitudinal (8) para cima;
2. Afrouxe o parafuso de bloqueio da extensão da mesa (34);
3. Regule a extensão da mesa (10) para o comprimento pretendido.
4. Aperte o parafuso de bloqueio da extensão da mesa (34).

Ajustar o batente de profundidade (Fig. P)

O batente de profundidade pode ser ajustado para limitar a profundidade de corte. Isto pode ser utilizado para serrar facilmente uma ranhura. Para fazê-lo:

1. Afrouxe a porca serrilhada para regular a profundidade (45);
2. Ajuste o botão de regulação de profundidade (24) para a profundidade pretendida;
3. Aperte a porca serrilhada para regular a profundidade (45).

Ligar/desligar o laser (Fig. B)

Carregue no interruptor do laser (46) para ligar ou desligar o laser. O interruptor do laser (46) também serve para ligar a luz de trabalho LED.

Regulação por incrementos



Antes de efectuar qualquer tarefa de ajuste, desligue a ficha de alimentação.

Para garantir um corte rigoroso, as regulações básicas da serra devem ser verificadas e ajustadas antes da primeira utilização, bem como as necessárias após utilização intensiva. Para fazê-lo, são necessárias ferramentas especiais adequadas. O departamento pós-vendas da Vonroc ajuda a efectuar este trabalho de maneira rápida e fiável.

Regulação do laser por incrementos (Fig. Q)

Nota: Para testar o funcionamento do laser, a ferramenta eléctrica deve ser ligada à fonte de alimentação.



Quando regular o laser (por exemplo, quando mover o braço da ferramenta), nunca carregue no interruptor para ligar/desligar. O arranque acidental da ferramenta eléctrica pode causar ferimentos.

Se o laser (18) deixar de indicar a linha de corte correcta, pode regular o laser novamente. Para fazê-lo:

1. Afrouxe os parafusos de regulação do laser (48) e regule o laser, movendo-o até o feixe laser tocar nos dentes da lâmina da serra (6);
2. Aperte os parafusos de regulação do laser (48).

Regulação por incrementos do ângulo de bisel de 0° (Fig. R, S)

1. Regule o ângulo de esquadria e de bisel para 0°;
2. Baixe a pega (2) e fixá-la utilizando o botão de bloqueio da posição (38);
3. Bloqueie o movimento deslizante, utilizando o parafuso de bloqueio das guias telescópicas (29);
4. Regule um calibre de ângulo para 90° e coloque-o em cima da mesa (11), como indicado na Figura R. A perna do calibre de ângulo deve estar alinhada com a lâmina da serra (6), ao longo de todo o comprimento;
5. Afrouxe a porca de travamento do ângulo de bisel de 0° (50);
6. Regule o parafuso do batente do ângulo de bisel de 0° (32) até a perna do calibre de ângulo

ficar alinhada com a lâmina da serra ao longo de todo o comprimento;

7. Volte a apertar a porca de travamento do ângulo de bisel de 0° (50).

Em seguida, verifique a posição do indicador de ângulo (19). Se necessário, afrouxe o ponteiro com uma chave de fendas Philips, regule para a posição 0° na régua do ângulo de bisel (20) e aperte de novo o parafuso de fixação.

Regulação por incrementos do ângulo de bisel de 45° (Fig. R, T)

1. Regule o ângulo de esquadria e de bisel para 45°;
2. Baixe a pega (2) e fixá-la utilizando o botão de bloqueio da posição (38);
3. Bloqueie o movimento deslizante, utilizando o parafuso de bloqueio das guias telescópicas (29);
4. Regule um calibre de ângulo para 90° e coloque-o em cima da mesa (11), como indicado na Figura T. A perna do calibre de ângulo deve estar alinhada com a lâmina da serra (6), ao longo de todo o comprimento;
5. Afrouxe a porca de travamento do ângulo de bisel de 45° (49);
6. Regule o parafuso do batente do ângulo de bisel de 45° (31) até a perna do calibre de ângulo ficar alinhada com a lâmina da serra ao longo de todo o comprimento;
7. Volte a apertar a porca de travamento do ângulo de bisel de 45° (49).

Em seguida, verifique a posição do indicador de ângulo (19). Se necessário, afrouxe o ponteiro com uma chave de fendas Philips, regule para a posição 45° na régua do ângulo de bisel (20) e aperte de novo o parafuso de fixação.

Regulação por incrementos do ângulo de esquadria de 0° (Fig. U, V)

1. Regule um calibrador de ângulo de 0° na mesa (11) e posicione-o entre a protecção (9) e a lâmina da serra (6);
2. A perna do calibrador de ângulo deve ficar alinhada com a lâmina da serra (6) ao longo do comprimento;
3. Desaperte os parafusos de bloqueio da protecção ajustável (35) e, em seguida, desaperte as cavilhas de segurança da protecção ajustável (36).

4. Retire as protecções ajustáveis esquerda e direita (7), que permitem acesso aos parafusos da protecção (51).
5. Afrouxe os quatro parafusos da protecção (51) e regule a protecção (9) até a perna do calibre de ângulo ficar alinhada com a lâmina da serra ao longo de todo o comprimento;
6. Volte a apertar os quatro parafusos da protecção (51) novamente. Em seguida, verifique a posição do indicador de ângulo (17). Se necessário, afrouxe o ponteiro com uma chave de fendas Philips, regule para a posição 0° na régua do ângulo de esquadria (16) e aperte de novo o parafuso de fixação.
7. Monte as protecções ajustáveis esquerda e direita (7).
8. Aperte os parafusos de bloqueio da protecção ajustável (35) e, em seguida, aperte as cavilhas de segurança da protecção ajustável (36).

5. MANUTENÇÃO



Certifique-se sempre de que a máquina não está ligada à rede eléctrica quando efectuar tarefas de manutenção no mecanismo.

Limpe a caixa da máquina com frequência com um pano macio, de preferência após cada utilização. Certifique-se de que as aberturas de ventilação não têm pó ou sujidade. Retire a sujidade muito persistente com um pano macio humedecido com água de sabão. Não utilize solventes, como gasolina, álcool, amoníaco, etc. Este tipo de produtos químicos danificam os componentes sintéticos.

Limpeza dos resguardos de protecção

Antes de utilizar a máquina, verifique sempre se o resguardo de protecção (4) e o resguardo de protecção retráctil (5) apresentam resíduos. Retire a serradura e as farpas utilizando uma escova ou uma ferramenta semelhante.

Substituir a inserção da mesa



Substitua de imediato as inserções de mesa danificadas.

Se uma inserção da mesa (13) estiver danificada, há o risco de peças pequenas fiquem presas entre a inserção da mesa e a lâmina da serra, bloquean-

do a lâmina da serra. Para substituir a inserção da mesa:

1. Retire os parafusos da inserção da mesa com uma chave de fendas Philips. Se necessário, regule o ângulo de esquadria e bisel para ter acesso a estes parafusos;
2. Retire a inserção da mesa;
3. Instale a nova inserção da mesa;
4. Aperte os parafusos com uma chave de fendas Philips.

Guias telescópicas

A sujidade pode danificar as guias telescópicas (25) e, por conseguinte, o funcionamento da máquina.

- Limpe as guias telescópicas regularmente com um pano macio;
- Deite algum óleo lubrificante nas guias telescópicas;
- Mova a serra de meia-esquadria para trás e para a frente para que o óleo fique totalmente espalhado sobre as guias.

AMBIENTE



Os equipamentos eléctricos ou electrónicos defeituosos e/ou eliminados devem ser recolhidos em locais de reciclagem adequados.

Apenas para os países da CE

Não elimine as ferramentas eléctricas em conjunto com os resíduos domésticos. De acordo com a directiva europeia 2012/19/UE sobre resíduos de equipamentos eléctricos e electrónicos e a respectiva implementação na legislação nacional, as ferramentas eléctricas que já não sejam utilizadas devem ser recolhidas em separado e eliminadas de maneira ecológica.

GARANTIA

Os produtos da VONROC são desenvolvidos de acordo com os padrões de qualidade mais elevados e não apresentam quaisquer defeitos em termos de materiais e mão-de-obra em relação ao período estipulado por lei, cujo início é a partir da data de compra original. Se o produto apresentar qualquer falha durante este período devido a qualquer defeito no material e/ou de mão-de-obra, contacte a VONROC directamente.

As seguintes circunstâncias estão excluídas desta garantia:

- Se forem efectuadas ou tentadas quaisquer reparações e/ou alterações na máquina por centros de assistência não autorizados;
- Desgaste normal;
- Se a ferramenta foi utilizada de maneira abusiva, indevida ou a manutenção for efectuada de maneira incorrecta;
- Se forem utilizadas peças sobresselentes não originais.

Isto constitui a única garantia feita pela empresa, de maneira expressa ou implícita. Não existem quaisquer outras garantias expressas ou implícitas que se prolonguem, incluindo as garantias implícitas de comercialização e adequação para fins específicos. A VONROC não será, em nenhuma circunstância, responsável por danos incidentais ou indirectos. Os fornecedores devem estar limitados a reparar ou substituir as unidades ou peças que não estejam em conformidade.

O equipamento e o manual do utilizador estão sujeitos a alterações sem aviso prévio. As especificações podem ser alteradas sem aviso prévio.

1. BIZTONSÁGI UTASÍTÁSOK

Olvassa el az összes mellékelt biztonsági figyelmeztetést. A figyelmeztetések és utasítások be nem tartása áramütéshez, tűz keletkezéséhez vagy akár súlyos személyi sérüléshez vezethet. Őrizze meg a biztonsági figyelmeztetéseket és utasításokat későbbre is.

A használati útmutatóban és a terméken a következő jelölésekkel találkozhat:



Olvassa el a használati útmutatót.



Jelzi a személyi sérülések, az életveszély vagy a szerszám károsodásának veszélyét.



Áramütés veszélye.



Tartsa távol a nézelődőket.



Viseljen porvédő ruházatot.



Viseljen fülvédőt.



Viseljen védőszemüveget.



Figyelem: Lézersugárzás. Ne nézzen a 2. osztályú lézersugárba.



Ne tegye kezét a vágási területre, amíg a szerszám működik. A fűrészlap érintése sérüléshez vezethet.



Veszélyes terület! Ne tegye kezét, ujjait vagy karját erre a területre.



A gépet kizárólag befelé fordított (szállítási) pozícióban szállítsa.



II. osztályú gép - Dupla szigetelés - Nincs szükség földelt csatlakozódugóra.



A termék megfelel az európai irányelvek rá vonatkozó biztonsági követelményeinek.



Gér-/ferdevágási szögben történő fűrészeléskor az állítható vezetősínt kifelé kell húzni.



Jegyezze fel a fűrészlap méreteit. A furatátmérőnek holtjáték nélkül kell illeszkednie a szerszámorsóhoz. Ha szűkítőt kell használni, ügyeljen arra, hogy a szűkítő méretei megfelelőek legyenek az alaplap vastagságához, a fűrészlap furatátmérőjéhez, illetve szerszám tengelyátmérőjéhez is. Amennyiben lehetséges, használja a fűrészlaphoz mellékelt szűkítőt. A fűrészlap átmérőjének megfelelően megadott információknak.

AZ ELEKTROMOS SZERSZÁMOKRA VONATKOZÓ ÁLTALÁNOS BIZTONSÁGI FIGYELMEZTETÉSEK



FIGYELMEZTETÉS! *Olvassa át az elektromos szerszámhoz mellékelt összes biztonságtechnikai tudnivalót, szemléltető ábrát és műszaki adatot. Az alábbiakban felsorolt utasítások figyelmen kívül hagyása áramütést, tüzet és/vagy súlyos sérülést okozhat.*

Az összes figyelmeztetést és utasítást őrizze meg, mert később még szüksége lehet rájuk.

A figyelmeztetéseken szereplő „elektromos szerszám” kifejezés az Ön hálózatról működő (vezetékes) elektromos szerszámára vagy akkumulátorral működő (vezeték nélküli) elektromos szerszámra utal.

1) A munkaterület biztonsága

- Gondoskodjon a munkaterület tisztaságáról és megfelelő megvilágításáról.** A rendezetlen és sötét területeken valószínűbb a balesetek előfordulása.
- Ne használja az elektromos szerszámokat robbanásveszélyes légtérben, például ahol gyúlékony folyadékok, gázok vagy por vannak jelen.** Az elektromos szerszámok használata során keletkező szikra lángra lobbantathatja a port és füstöt.
- Az elektromos szerszám használata során a gyermekeket és a közelben tartózkodó személyeket tartsa távol a munkaterülettől.** Ha valami eltereli a figyelmét, elveszítheti az irányítást.

2) Elektromos biztonság

- a) **Az elektromos szerszám dugóinak megfelelőnek kell lenniük az aljzathoz. Soha ne próbálja semmilyen módon módosítani a dugót. Földelt elektromos szerszámhoz ne használjon semmilyen adapterdugót.** Az eredeti (értsd: módosítás nélküli) dugók és megfelelő hálózati aljzatok használatával mérsékelhető az elektromos áramütés veszélye.
- b) **Ügyeljen arra, hogy teste ne érintkezzen földelt felületekkel, például csővezetékkel, radiátorral, tűzhellyel vagy hűtőszekrénnel.** Ha teste földelődik, megnő az áramütés kockázata.
- c) **Óvja az elektromos szerszámokat az esőtől és nedves környezettől.** Az elektromos szerszámba kerülő víz növeli az elektromos áramütés veszélyét.
- d) **Ne használja helytelenül (nem előírászerűen) a kábelt. A kábelt soha ne használja az elektromos szerszám hordozására, húzására vagy az aljzathoz történő kihúzására. A kábelt tartsa távol hőforrásoktól, olajtól, hegyes élektől és mozgó alkatrészekről.** A sérült vagy megtekeredett kábelek növelik az elektromos áramütés veszélyét.
- e) **Az elektromos szerszám kültéri használata esetén kültéri használatra alkalmas hosszabító kábelt használjon.** Az kültéri használatra alkalmas kábel használatával mérsékelhető az elektromos áramütés veszélye.
- f) **Ha az elektromos szerszámot mindenképpen nedves környezetben kell használni, akkor használjon áramvédő kapcsolóval (RCD) ellátott tápforrást.** Az áramvédő kapcsolóval ellátott tápforrás használatával mérsékelhető az elektromos áramütés veszélye.

3) Személyi biztonság

- a) **Az elektromos szerszám használata során maradjon éber, koncentráljon az éppen végzett műveletre és használja a józan ítélőképességét. Ha fáradt, vagy ha kábítószert, alkoholt vagy gyógyszer hatása alatt áll, ne használjon elektromos szerszámot.** Az elektromos szerszámok használata közben egyetlen pillanatnyi figyelmetlenség is súlyos személyi sérülést okozhat.
- b) **Használjon egyéni védőfelszerelést. Mindig viseljen szemvédő felszerelést.** A megfelelő körülményekhez való védőeszközökkel (például pormaszkkal, csúszásgátló biztonsági cipővel, munkavédelmi sisakkal vagy hallásvédő eszközzel) csökkenthető a személyi sérülések kockázata.

- c) **Gondoskodjon a gép véletlen elindulásának megelőzéséről. A szerszám tápforráshoz és/vagy akkumulátorcsomaghoz történő csatlakoztatása, kézbevétele vagy hordozása előtt győződjön meg róla, hogy a kapcsoló OFF (kikapcsolt) állásban van.** Ha úgy hordozza az elektromos szerszámot, hogy az ujjai a kapcsolón van, vagy úgy helyezi feszültség alá, hogy a kapcsolója ON (bekapcs.) helyzetben van, ez növeli a balesetek kockázatát.
- d) **Az elektromos szerszám bekapcsolása előtt távolítsa el a csavarkulcsokat vagy beállító kulcsokat.** Az elektromos szerszám forgó alkatrészein felejtett csavarkulcs vagy beállító kulcs személyi sérülést okozhat.
- e) **Ne próbáljon túlnyújtóva vagy kitekeredett testhelyzetben dolgozni. Mindig két lábbal, egyensúlyát megtartva álljon a talajon.** Így könnyebben tudja irányítani az elektromos szerszámot a váratlan helyzetekben.
- f) **Viseljen megfelelő öltözetet. Ne viseljen laza ruhát vagy ékszert. Haját és ruháját tartsa távol a mozgó alkatrészekről.** A mozgó alkatrészek behúzhatják a ruhákat, az ékszereket és a hosszú haját.
- g) **Ha a szerszámhoz porszívó és porgyűjtő eszközt is lehet csatlakoztatni, akkor gondoskodjon ezek csatlakoztatásáról és megfelelő használatáról.** A porgyűjtő rendszerek használatával csökkenthetők a porral kapcsolatos veszélyek.
- h) **Ne engedje, hogy a szerszámok gyakori használata során szerzett tapasztalatai túlzott biztonságérzetet keltsenek Önben, és amiatt elhanyagolja a biztonsági alapelveket.** A figyelmetlenségnek pillanatok alatt súlyos sérülés lehet a következménye.

4) Az elektromos szerszám használata és ápolása

- a) **Az elektromos szerszámot tilos túlzott erő-kifejtéssel használni. Az alkalmazási célnak megfelelő elektromos szerszámot használjon.** A megfelelő elektromos szerszám jobban, biztonságosabban végzi a munkát azon a fordulatszámmon, amire azt tervezték.
- b) **Ne használja az elektromos szerszámot, ha az nem kapcsolható be/ki a főkapcsolóval.** Bár mely elektromos szerszám veszélyes lehet, amit a kapcsolóval nem lehet irányítani, ezért az ilyen elektromos szerszámot meg kell javíttatni.
- c) **Válassza le a dugót a tápforrásról és/vagy az akkumulátorcsomagot az elektromos szer-**

számról, mielőtt bármilyen módosítást végez, tartozékot cserél vagy eltávolítja az elektromos szerszámot. Ezek a megelőző biztonsági intézkedések csökkentik az elektromos szerszám véletlen beindulásának a veszélyét.

- d) **A használaton kívüli elektromos szerszámot olyan helyen tárolja, ahol gyermekek nem férhetnek hozzá; ne engedje, hogy olyan személyek használják, akik az elektromos szerszámot és ezeket az utasításokat nem ismerik.** Az elektromos szerszám rendkívül veszélyes lehet szakképzetlen felhasználók kezében.
- e) **Tartsa karban az elektromos szerszámokat. Ellenőrizze, hogy a mozgó alkatrészek nem állítódtak-e el vagy nem szorulnak-e, nincsenek-e a szerszámon törött alkatrészek, és nem állnak-e fenn olyan körülmények, amelyek befolyásolhatják a szerszám működését. Ha az elektromos szerszám sérült, használat előtt javíttassa meg.** A hanyagul karbantartott elektromos szerszámok sok balesetet okoznak.
- f) **Tartsa élesen és tisztán a vágószerszámokat.** A megfelelően karbantartott, éles vágószerszámok beszorulásának kisebb a valószínűsége, ráadásul könnyebben irányíthatók.
- g) **Az elektromos szerszámot, tartozékokat és szerszámszárakat stb. a használati útmutatónak megfelelően használja, a munkakörülmények és az elvégzendő feladat figyelembevételével.** Ha az elektromos gépet a rendeltetési céljától eltérően használják, az veszélyhelyzetet teremthet.
- h) **Tartsa a fogantyúkat és egyéb markolási felületeket szárazon, tisztán, olajtól és zsírtól mentesen.** Váratlan helyzetekben a csúszós fogantyúk és egyéb markolási felületek akadályozzák a szerszám biztonságos kezelését és irányítását.
- 5) Szerviz
- a) **Az elektromos szerszámot képzett javító szakemberrel javíttassa, csakis az eredetivel azonos pótalkatrészeket használjon fel.** Ez szavatolja, hogy az elektromos szerszám továbbra is biztonságos maradjon.

SPECIFIKUS BIZTONSÁGI ÚTMUTATÁSOK

- **A gérfűrészek fa vagy fához hasonló anyagok vágására készültek, nem használhatók csiszológó fűrész tárcsával vaskéreg (pl. pálcák, rudak, gerendák stb.) fűrészeléséhez.** A csiszológó keletkező portól beragadnak a mozgó

alkatrészek, mint például az alsó védőburkolat. A csiszológóvágásnál keletkező szikráktól pedig megéget az alsó védőburkolat, a réslap és egyéb műanyag alkatrészek.

- **Amikor lehetséges, támassza meg leszorítókkal a munkadarabot. Ha kézzel támasztja, a kezét mindig legalább 100 mm távolságra tartsa a fűrész tárcsa mindkét oldalától. Ezzel a fűrészrel ne vágjon olyan munkadarabot, amely túl kicsi ahhoz, hogy biztonságosan rögzítsék vagy kézzel tartsák.** Ha a kezét a fűrész tárcsához túl közel tartja, nagyobb annak a kockázata, hogy a tárcsa sérülést okozzon.
- **A munkadarabnak mozdulatlanul kell állnia, és le kell szorítani, vagy a vezetősínhez és az asztalhoz kell szorítani. Ne tolja a munkadarabot a fűrész tárcsába, és semmiképpen ne végezzen „szabadkezes” vágást.** A nem rögzített vagy mozgó munkadarabok nagy sebességgel elrepülhetnek, és sérülést okozhatnak.
- **Tolja át a fűrész tárcsát a munkadarabon. Vágás előtt emelje fel a fűrész fejet, húzza munkadarab fölé még vágás nélkül, majd indítsa be a motort, nyomja le a fűrész fejet, és tolja át a fűrész tárcsát a munkadarabon.** Ha húzás közben vág, a fűrész tárcsa valószínűleg felmászik a munkadarab felső részére, és a fűrész tárcsa-szerelvényt nagy erővel a kezelő felé löki.
- **Soha ne tegye keresztbe a két kezét a szándékolt vágási vonal felett sem a fűrész tárcsa előtt, sem mögötte.** Ha keresztbe tett kezekkel támasztja a munkadarabot, azaz ha a fűrész tárcsa jobb oldalához a bal kezével tartja, vagy fordítva, az nagyon veszélyes.
- **Ne nyúljon kézzel a vezetősín mögé 100 mm-nél közelebb a fűrész tárcsa egyik oldalán sem a fahulladék eltávolítása céljából, sem más okból, amíg a fűrész tárcsa forgásban van.** Nem látható tisztán, hogy a keze mennyire van közel a forgó fűrész tárcsához, és súlyos sérülést szenvedhet.
- **Fűrészelés előtt vizsgálja át a munkadarabot. Ha a munkadarab hajlott vagy megvetemedett, a külső hajlott részét szorítsa a vezetősínhez. Mindig győződjön meg arról, hogy nincs rés a munkadarab, a vezetősín és az asztal között a vágási vonal mentén.** A hajlott vagy megvetemedett munkadarabok megcsavarodhatnak vagy elmozdulhatnak, amitől vágás közben elakadhat a forgó fűrész tárcsa. Szögek vagy más idegen tárgyak ne legyenek a munkadarabban.

- **Addig ne használja a fűrész, amíg az asztalon a munkadarabon kívül vannak más szerszámok, fahulladékok stb. is.** Az apró törmelék és laza fadarabkák vagy más tárgyak hozzáérhetnek a forgó fűrész tárcsához, és nagy sebességgel elrepülhetnek.
- **Egyszerre csak egy munkadarabot fűrészljen.** Egymásra rakott munkadarabokat nem lehet kellően leszorítani vagy megtámasztani, ezért azokban vágás közben elakadhat a fűrész tárcsa.
- **Használat előtt gondoskodjon arról, hogy a gérfűrész egyenletes, szilárd munkafelületre legyen helyezve.** Egyenletes és szilárd munkafelületen kisebb annak a kockázata, hogy a fűrész instabillá válik.
- **Tervezze meg a munkát. Ferde- és gérvágási beállítás cseréjekor minden esetben gondoskodjon arról, hogy az állítható vezetősín helyesen legyen beállítva a munkadarab támasztásához, és ne legyen a fűrész tárcsa vagy a védőszerkezet útjában.** Álló motorral, és amikor nincs az asztalon munkadarab, végezzen egy teljes „szimulált” vágást, meggyőződve arról, hogy nem áll fenn semmilyen akadály vagy a vezető elvágásának veszélye.
- **Az asztalfelületnél szélesebb vagy hosszabb munkadarab esetén biztosítson megfelelő támasztékot, pl. asztaltoldatot, fűrészbakot stb.** A gérfűrész asztalnál hosszabb vagy szélesebb munkadarabok megbillenhetnek, ha nincsenek biztonságosan megtámasztva. Ha a levágott darab vagy a munkadarab megbillen, az megemelheti az alsó védőburkolatot, vagy a forgó fűrészlap elrepítheti a levágott darabot.
- **Emberi segítséget ne vegyen igénybe asztaltoldatot vagy más támaszték helyett.** A munkadarab instabil megtámasztása miatt vágás közben elakadhat a fűrész tárcsa, vagy elmozdulhat a munkadarab, ami Önt és segítőtársát a forgó fűrész tárcsához húzhatja.
- **A levágott darab semmiképpen nem szorulhat vagy nyomódhat a forgó fűrész tárcsához.** Ha szűk a hely, azaz például, amikor hosszütöközőket használ, a levágott darab a fűrész tárcsához ékelődhet, és elrepülhet.
- **Kerek munkadarabokat (pl. rudak, csövek) mindig támasszon meg szorítóval vagy más szereléssel.** A rudak hajlamosak vágás közben elfordulni, amitől a fűrész tárcsa „harap”, és a munkadarabot az Ön kezével együtt magához húzza.
- **Várja meg, hogy a fűrész tárcsa felgyorsuljon a teljes fordulatszámára, és csak azután érintse a munkadarabhoz.** Ettől kisebb lesz annak kockázata, hogy elrepül a munkadarab.
- **Ha a munkadarab vagy a fűrész tárcsa beszorul, kapcsolja ki a gérfűrész.** Várja meg minden mozgó alkatrészt leállását, húzza ki a fűrész dugaszát a konnektorból, és/vagy vegye ki belőle az akkucsomagot. Ezután szabadítsa ki a beszorult anyagot. Ha beszorult a munkadarab, és Ön folytatja a fűrész elést, elvesztheti a szerszám feletti uralmát, vagy károsíthatja a gérfűrész.
- **A vágás befejezése után engedje el a kapcsolót, tartsa a fűrész fejet lefelé, várja meg a fűrész tárcsa leállását, és csak azután távolítsa el a levágott darabot.** Veszélyes, ha a kezével hozzáér az üresen járó fűrész tárcsához.
- **Erősen tartsa a fogantyút, amikor nem teljes vágást végez, vagy amikor elengedi a kapcsolót, mielőtt a fűrész fej teljesen az alsó helyzetben van.** A fűrész fékező funkciója okozhatja azt, hogy a fűrész fej hirtelen ereszkedik le, ami sérülésveszélyes.
- **Tartsa tisztán a munkaterületet.** Az anyagkeverékek különösen veszélyesek. A könnyű fémpor meggyulladhat vagy robbanhat.
- **Ne használjon tompa, repedt, meghajlott vagy sérült fűrész tárcsákat. Az életlen vagy helytelenül felszerelt fűrész tárcsák használata sekély bemetszést, túl nagy súrlódást, a tárcsa elakadását és visszarúgást okozhat.**
- **Ne használjon nagy sebességű acélból (HSS) készült fűrész tárcsát.** Azok könnyen törnek.
- **Mindig megfelelő méretű, alakú és rögzítőnyílású (rombusz vagy kerek) tárcsát használjon.** Ha olyan tárcsát szerel a fűrészre, amely nem illeszkedik tökéletesen, az excentrikusan fog járni, és a kezelő elveszítheti a szerszám feletti uralmát.
- **A beépített lézert ne cserélje más típusúra.** Az ezzel az elektromos szerszámmal nem kompatibilis lézer emberre veszélyes lehet.
- **Addig soha ne távolítsa el a forgácsot, fadarabkákat a vágási területről, amíg az elektromos szerszám működésben van.** Először mindig állítsa vissza a szerszám karját a semleges helyzetébe, és csak ezt követően kapcsolja ki a gépet.
- **A munkavégzés után hagyja kihűlni a fűrész tárcsát, mielőtt megérintené.** A fűrész tárcsa munkavégzés közben felforrósodik.

- Soha ne tegye felismerhetetlenné a gépen található figyelmeztető jelzéseket.
- Ha a lézersugár a szemébe jut, csukja be a szemét, és azonnal fordítsa el a fejét a sugár útjából.
- Ne nézzen optikai eszközzel (pl. távcsővel) a sugárforrásra. Attól károsodhat a szem.
- A lézernyalábot ne irányítsa olyan személyekre, akik éppen távcsövet vagy ahhoz hasonló eszközt használnak. Attól károsodhat a szemük.
- Ne végezzen semmilyen módosítást a lézerberendezésen. A jelen kezelési útmutatóban megadott opciók alapján használható biztonságosan.
- Ne álljon a fűrész tárcsával egy vonalban az elektromos szerszám előtt. Mindig a fűrész tárcsa oldalához álljon. Ezzel védi testét az esetleges visszarúgástól.
- Kezét, ujjait és karját tartsa távol a forgó fűrész tárcsától.
- Ne tegye keresztbe a kezét, amikor a szerszám karja előtt van.
- Kerülje a fűrészfogak túlmelegedését. Ha túlmelegedtek, állítsa le a fűrész. A fűrész további használata előtt hagyja kihűlni a fűrész tárcsát.
- A sérült vagy kopott fűrész tárcsát azonnal cserélje ki.
- Csak a kézikönyvünkben megadott műszaki követelményeknek megfelelő és az EN 847-1 szabvány szerint tesztelt és jelöléssel ellátott fűrész tárcsákat használjon.
- Fűrészeléshez a görbe vagy kerek munkadarabokat különösen biztonságosan kell rögzíteni elmozdulás ellen. A vágási vonalnál nem lehet rés a munkadarab, a vezetősín és a fűrészasztal között. Szükség esetén speciális szereléseket kell készítenie.

Elektromos biztonság



Mindig ellenőrizze, hogy a tápellátás megfelel-e az adattáblán feltüntetett feszültségeknek.

- Ha az elektromos szerszám tápkábele sérült, azt a szolgáltatási szervezeten keresztül kapható, speciálisan kialakított tápkábelre kell cserélni.
- Csak olyan hosszabbító kábelt használjon, amely megfelel a berendezés névleges teljesítményének, és legalább 1,5 mm² vastag. Ha tekercest használ a hosszabbító kábelhez, mindig teljesen tekerje le a kábelt.

2. A GÉP ADATAI

Rendeltetésszerű használat

Ez a szerszám helyhez kötött gépként a fában hosszanti és keresztirányú egyenes vágások készítésére alkalmas szálirányban és azzal szemben. -45°-tól +45°-ig terjedő gérszögben és 0°-tól +45°-ig terjedő ferdevágási szögben való fűrészelést tesz lehetővé. A beépített fűrészpengével ellátott elektromos szerszám kapacitása megfelelő kemény- és puhafa, valamint forgácslap és farostlemez fűrészeléséhez. A fűrészpenge nem alkalmas tűzifa vágására. Ne használja a fűrész tárcsát az útmutatóban leírtaktól eltérő anyagok fűrészelésére.

MŰSZAKI ADATOK

Modellazonosító	MS504AC
Feszültség	220-240 V~
Frekvencia	50 Hz
Felvett teljesítmény	1800 W S1 - 2200 W S6 40%*
Üresjárat fordulatszám	5200/perc
Gérszög	-45° <> +45°
Ferdevágási szög	-45° <> 0° balra, egyserzi ferdevágás
A fűrészpenge műszaki jellemzői:	
Átmérő	Ø 216 mm
Az alappenge vastagsága	1,6 mm
Vágás szélessége	2,8 mm
Furatátmérő	Ø 30 mm
Fogak száma	40T
A fűrész kapacitása (magasság x szélesség):	
Gérszög 0° - Ferdevágási szög 0°	65 x 300 mm
Gérszög 0° - Ferdevágási szög 45°	38 x 300 mm
Gérszög 45° - Ferdevágási szög 0°	65 x 200 mm
Gérszög 45° - Ferdevágási szög 45°	38 x 200 mm
Munkadarab minimális mérete	3 x 10 mm
A lézer műszaki adatai:	
Osztály	2
Hullámhossz	650 nm
Teljesítmény	< 1 mW
Súly	14 kg
Lpa (hangnyomásszint)	98 dB(A) KpA: 3 dB(A)
Lwa (hangteljesítményszint)	111 dB(A) KWA: 3 dB(A)

- * S6, folyamatos működésű időszakos üzemelés. Egyforma üzemciklusok, ahol egy terheléses

időszakot üresjárat követ. Futási idő 10 perc; az üzemsíkulus a futási idő 40%-a.

LEÍRÁS

A szövegbeli számok a 2–7. oldal képeire utalnak.

1. Kioldó gomb
2. Fogantyú
3. Főkapcsoló
4. Védőburkolat
5. Visszahúzható védőburkolat
6. Fűrészlap
7. Állítható vezetősín
8. Hosszútköző
9. Vezetősín
10. Asztaltoldal
11. Asztal
12. Rögzítőfuratok
13. Réslap
14. Gérszög állítógombja
15. Gérszög állítókarja
16. Gérskála
17. Gérszög mutató
18. Lézer
19. Ferdeszög mutató
20. Ferdeszög skála
21. Munkadarab-befogó
22. Ferdeszög állítógombja
23. Görgő
24. Mélységállító csavar
25. Csúszósínek
26. Porzsák
27. Hordfogantyú
28. Fűrészpor-elvezető csont
29. Csúszósínek rögzítőcsavarja
30. Gérvágó kar
31. 45°-os ferdeszög ütközőcsavarja
32. 0°-os ferdeszög ütközőcsavarja
33. Munkadarab-leszorító rögzítőcsavarja
34. Asztaltoldal rögzítőcsavarja
35. Állítható vezetősín rögzítőcsavarja
36. Állítható vezetősín biztonsági csavarja
37. Elülső borulásvédő
38. Helyzetrögzítő gomb
39. Gérvágó kar gombja
40. Rögzítőcsavar
41. Szorítóperem
42. Szorítócsavar
43. Tengelyrögzítés
44. Munkadarab-befogó gombja
45. Mélységállító csavaros anyája

46. LED munkalámpa
47. A gérvágó kar csavarja
48. Lézerállító csavarjai
49. 45°-os ferdeszög rögzítőanyája
50. 0°-os ferdeszög rögzítőanyája
51. Vezetősín csavarjai
52. Gérvágókar-tartó

3. ÖSSZESZERELÉS



Mielőtt bármilyen munkát végezne a gépen, húzza ki a hálózati csatlakozódugaszt a konnektorból.

Szállítási helyzet (B, C ábra)

A különféle munkaterületekre történő szállításnál a helyzetrögzítő gombnak (38) köszönhetően könnyebben mozgatható a szerszám.

Kioldás szállítási helyzetből (munkahelyzet)

1. Nyomja finoman lefelé a fogantyút (2).
2. Húzza ki teljesen a helyzetrögzítő gombot (38), fordítsa el, és rögzítse a helyén.
3. Lassan mozgassa a fogantyút (2) felfelé.

Rögzítés szállítási helyzetben (szállítási helyzet)

Mielőtt szállítási helyzetben rögzíti, ügyeljen arra, hogy a mélységállító csavar (24) korlátlan mélységre legyen állítva. A fogantyú (2) így teljesen mozgatható lefelé anélkül, hogy a mélységütközőhöz érne. Ezenkívül szereljen le minden olyan tartozékot, amely nem rögzíthető biztonságosan a géphez.

1. Lazítsa meg a csúszósínek rögzítőcsavarját (29), ha meg vannak húzva.
2. Húzza a fogantyút (2) előre, önmaga felé, és húzza meg a csúszósínek rögzítőcsavarját (29).
3. Nyomja le teljesen a fogantyút (2).
4. Először húzva, majd elfordítva rögzítse a helyzetrögzítő gombot (38).
5. Tekerje fel a tápkábelt, és kösse a mellékelt kábel rendszerezőhöz.

Miután szállítási helyzetben rögzítette a gépet, a hordfogantyújánál (27) fogva biztonságosan szállíthatja.



Csak a hordfogantyújánál, és soha ne a védőburkolatainál fogva szállítsa.

A gérvágó kar szerelése (D és Y ábra)

Az asztal felületének elülső része (a továbbiakban: gérvágó kar (30)) eltávolítható, így az eleve kompakt gérvágó fűrész külső méretei még tovább csökkenthetők. A gérvágó kar felszereléséhez:

1. Oldja ki a szállítási helyzetből (munkahelyzetbe);
2. Lazítsa meg a gérvágó szög rögzítógombját (14).
3. Forgassa el az asztalt (11) balra vagy jobbra a 0°-os előbeállításához. A szög leolvasható a gérskálán (16) a gérszögmutatóval (17);
4. Az egyik kezével húzza meg és tartsa ott a gérvágó kar gombját (39) a D1 ábrán látható módon;
5. A másik kezével illesse rá a gérvágó kart (30) az asztalra (11) a D2 ábrán látható módon, és közben húzza meg a gérbeállító kart (15). Ügyeljen rá, hogy a gérvágó kar (30) fordított háromszög végei megfelelően illeszkedjenek az asztalban (11) található, ugyanilyen alakú bemetszésekbe;
6. Most engedje el a gérvágó kar gombját (39) és a gérbeállító kart (15);
7. Rögzítse a gérvágó kart (30) a gérvágó kar csavarjának (47) a D-3 ábra szerinti meghúzásával.

Megjegyzés: a gérvágó kar (30) szétszerelt állapotban a gérvágókar-tartóban (52) tárolható az Y ábrán látható módon.

Helyhez kötött gép telepítése (A, B, D ábra)

A biztonságos kezelés érdekében az elektromos szerszámot sima, stabil munkafelületre (pl. munkapadra) szerelje használat előtt. Három módon szerelheti fel:

1. Munkapadra

Ilyen esetben a gépet alkalmas csavarokkal kell rögzíteni a munkapadhoz. Ehhez használja fel a négy csavarfuratot (12). Amint a D ábra szemlélteti.

2. Kiegészítő keretre



Olvassa el a fűrészállványhoz mellékelt össze figyelmeztetést és útmutatást.

A figyelmeztetések és útmutatások be nem tartása áramütéshez, tűz keletkezéséhez és/vagy súlyos személyi sérüléshez vezethet.



Helyesen szerelje össze a fűrészállványt, mielőtt rászerelné az elektromos szerszámot. A feldőlés kockázatának elkerülése végett fontos a helyes összeszerelés.

Ilyen esetben a gépet csavarokkal kell rögzíteni a kiegészítő kerethez. Ehhez használja fel a négy csavarfuratot (12). A kiegészítő keretet 4 csavarral kell egy legalább 1 négyzetméter felületű padlólemezhez erősíteni. Szerelje az elektromos szerszámot szállítási helyzetében a fűrészállványra.

3. Rugalmas telepítés



Ezt a fajta telepítést nem javasolja a gyártó.

Ha különleges körülmények miatt nem lehet sima és stabil munkafelületre szerelni az elektromos szerszámot, rögtönzött megoldásként felállíthatja a billenésvédőkkel.



A borulásvédő nélkül nem lesz stabil az elektromos szerszám, és felborulhat, különösen akkor, amikor maximális gérszöggel és/vagy ferdeszöggel fűrészel.

- A hátsó billenésvédő rögzítve van a gép talpazatára, és nem állítható.
- Forgassa az elülső borulásvédőt (37) az F ábrán látható módon befelé vagy kifelé annyira, hogy az elektromos szerszám vízszintesen álljon a munkaterületen.

A védőburkolat ellenőrzése (A ábra)

A visszahúzható védőburkolat (5) véd a fűrész tárcsa véletlen megérintésétől és a repülő forgácstól. Használat előtt ellenőrizni kell, hogy helyesen működik-e a fűrész tárcsa védőburkolata. Ehhez húzza a fogantyút (2) lefelé, és ellenőrizze az alábbiakat:

- A visszahúzható védőburkolat (5) biztosítsa a fűrész tárcsa (6) útját anélkül, hogy az más alkatrészekhez is hozzáérne.
- Amikor a fűrész felfelé, a kezdőhelyzetbe állítja, a visszahúzható védőburkolatnak (5) automatikusan fednie kell a teljes fűrész tárcsát (6).

Fűrészlap cseréje (G ábra)



Mielőtt bármilyen munkát végezne a gépen, húzza ki a hálózati csatlakozódugaszt a konnektorból.



A fűrészlap felszereléséhez viseljen védőkesztyűt. A fűrészlap megérintése sérülést eredményezhet.



Csak olyan fűrészlapot használjon, amely megfelel a kezelési útmutatóban megadott jellemző adatoknak. Csak olyan fűrészlapot használjon, amelyen a gépen megadott sebességgel azonos vagy annál magasabb fordulatszám van megadva.



Semmilyen körülmények között ne használjon csiszolókorongot vágóeszközként.

Fűrészlap cseréje előtt nyomtatékosan ajánlott a gér-szöveget és a ferdevágási szöveget 0°-ra állítani. Ennek elmulasztása esetén korlátozódhat a hozzáférés.

A fűrészlap leszerelése

1. Rögzítse a fűrészlapot felfelé irányuló helyzetben a helyzetrögzítő gomb (38) segítségével;
2. Lazítsa meg a rögzítőcsavart (40) egy csillagcsavarhúzóval a G1 ábrán látható módon; FIGYELMEZTETÉS! Ne távolítsa el teljesen a rögzítőcsavart (40), csak lazítsa meg.
3. Hajtsa felfelé a visszahúzó védőburkolatot (5), amíg a szorítócsavar (42) szabadon hozzáférhetővé válik a G2 ábrán látható módon;
4. Helyezze az imbuszkulcsot a szorítócsavarba (42). A visszahúzó védőburkolat (5) kioldható, ráhajlik az imbuszkulcsra.
5. Forgassa el a szorítócsavart (42) az imbuszkulccsal (34), és ezzel egyidejűleg nyomja meg a tengelyrögzítőt (43), amíg be nem reteszeli.
6. Tartsa erősen a tengelyrögzítőt (43), és az óramutató járásával megegyező irányban elforgatva lazítsa meg a szorítócsavart (42) (bal oldali menetet).
7. Távolítsa el a szorítócsavart (42) és a szorítópermet (41). Ezután a fűrészlap (6) eltávolítható.

A fűrészlap felszerelése



A fűrészlap felszerelésekor ügyeljen arra, hogy a fogak vágási iránya (a fűrészlapon lévő nyíl iránya) megegyezzen a védőburkolaton lévő nyíl irányával (4).



A fűrészlap (6) felszerelésekor ellenőrizze, hogy az szabadon forog-e a réslapban (13) mind 0°-os, mind 45°-os szögbeállításnál.

1. Tisztítsa meg a fűrészlapot és az összes összeszerelendő rögzítő alkatrészt.
2. Lazítsa meg a rögzítőcsavart (40) egy csillagcsavarhúzóval a G1 ábrán látható módon;

FIGYELMEZTETÉS! Ne távolítsa el teljesen a rögzítőcsavart (40), csak lazítsa meg.

3. Hajtsa felfelé a visszahúzó védőburkolatot (5), amíg a szorítócsavar (42) szabadon hozzáférhetővé válik a G2 ábrán látható módon;
4. Helyezze az imbuszkulcsot a szorítócsavarba (42). A visszahúzó védőburkolat (5) kioldható, ráhajlik az imbuszkulcsra.
5. Szerelje fel a szorítópermet (41). Győződjön meg arról, hogy a szorítóperem lapos oldalai megegyeznek a penge tengelyének lapos oldalával. Győződjön meg arról is, hogy a szorítóperem domború oldala kívülre van szerelve.
6. Szerelje fel a szorítócsavart (42), és forgassa el imbuszkulcs segítségével, miközben benyomja a tengelyrögzítőt (43), amíg be nem reteszeli.
7. Tartsa erősen a tengelyrögzítőt (43), és az óramutató járásával ellentétes irányban elforgatva rögzítse a szorítócsavart (42).

Porelszívás (A, B, W, X ábra)



Biztosítson jó szellőzést a munkaterületen.



Viseljen porvédő ruházatot.

Ólomtartalmú festékek és egyes fafajták pora ártalmas lehet az emberi egészségre. Az ilyen por belégzése allergikus reakciókat és/vagy légúti betegségeket okozhat a fűrész használójának vagy a közelben tartózkodóknak. Bizonyos porok, pl. a tölgy- és bükkfa fűrészpora rákkeltőnek van minősítve, különösen akkor, ha a fát adalékokkal (kromát, tartósítószer) kezelték. Nyomatékosan ajánljuk, hogy ahol csak lehetséges, alkalmazzon az anyaghoz megfelelő porelszívó rendszert.



Kerülje el a por felhalmozódását a munkaterületen. A por könnyen gyullad.

A munkadarabról leváló fűrészpor, forgács vagy egyéb részecskék eltorlaszolhatják a porelszívó rendszert. Ezért azt rendszeresen tisztítani kell. A következő módon tegye:

1. Válassza le a gép dugaszát az áramforrásról.
2. Várja meg a fűrészlárcsa teljes leállítását.
3. Szükség esetén szüntesse meg az esetleges eltömődést.

A porzsák felszerelése (W ábra)

Nyomja meg a porzsákon (26) található kapcsot, és csúsztassa rá a porzsákat a gép hátulján található fűrészpör-elvezető csomakra (28). A porzsák a kapocs elengedésekor a helyén marad.

Porelszívó csatlakoztatása (X ábra)

A felszívandó porhoz megfelelő porelszívót használjon.



Az egészségre különösen ártalmas vagy rákkeltő száraz por felszívásához speciális porelszívót használjon.

A porelszívó tömlőjét a fűrészpör-elvezető csomokhoz (28) csatlakoztathatja. E célból egyszerűen csak csatlakoztassa a porelszívó tömlőjét a porelszívó kimenethez.

4. MŰKÖDÉS

A gép bekapcsolása előtt mindig ellenőrizze, helyesen van-e felszerelve a fűrész tárcsa. A fűrész tárcsának könnyedén kell forognia.



Használat előtt mindig ellenőrizze a védőburkolatokat.



Minden fűrészelés előtt meg kell bizonyosodni arról, hogy a fűrész tárcsa egyáltalán nem ér a vezetősínhez, a munkadarab-leszorítóhoz vagy a gép más részeihez. Szerelje le, vagy megfelelően állítsa be az esetleges segédütközőket.

A munkadarab megtámasztása (H ábra)

A munkadarabokat mindig kellően meg kell támasztani. A munkadarab megtámasztásához az asztaltoldatok (10) kihúzhatók balra és jobbra. A következő módon tegye:

1. Lazítsa meg az asztaltoldat rögzítőcsavarját (34);
2. Állítsa az asztaltoldatot (10) a kívánt helyzetbe;
3. Húzza meg az asztaltoldat rögzítőcsavarját (34).

Extra hosszú munkadarabok fűrészelésénél a hosszú munkadarab szabad vége alá kell helyezni valamit, vagy meg kell támasztani.

A munkadarab leszorítása (H ábra)

A munkadarabokat mindig erősen le kell szorítani. A munkadarab-leszorító (21) a munkadarabtól balra és jobbra helyezhető el. A következő módon tegye:

1. Ügyeljen arra, hogy a munkadarab erősen szoruljon hozzá a vezetősínhez (9).
2. Illessze be a mellékelt munkadarab-leszorítót (21) az erre a célra szolgáló egyik furatba, amint a H ábrán látható;
3. Állítsa a munkadarab-leszorító (21) menetes rúdját a munkadarab magasságához.
4. Húzza meg erősen a munkadarab-leszorító (21) menetes rúdját, hogy rögzítse a munkadarabot a helyén. Meglazításához egyszerűen oldja ki a munkadarab-leszorító (21) menetes rúdját.

A munkadarab-leszorító gombjával (44) gyorsabban állíthatja be a munkadarab-leszorító (21) magasságát. A magasság beállítása után mindig húzza meg erősen a munkadarab-leszorító (21) menetes rúdját, hogy rögzítse a munkadarabot a helyén.

A vezetősín beállítása (H ábra)

Mindig az adott vágástípushoz állítsa be a vezetősínt.

Gér- /ferdevágási szögben történő fűrészeléshez a vágás irányától függően mozgassa az állítható vezetősínt (7). Ily módon a vezetősín minden körülmény mellett megfelelően támasztja a munkadarabot. A következő módon tegye:

1. Lazítsa meg az állítható vezetősín rögzítőcsavarját (35).
2. A kívánt vágásnak megfelelően állítsa be a vezetősínt. Gér- és egyenes vágáshoz a vezetősínek befelé kell mozognia a fűrész tárcsa felé (legfeljebb 8 mm-re) anélkül, hogy hozzáérne. Ferdevágáshoz a vezetősínek kifelé kell mozognia a fűrész tárcsától távolodva (legfeljebb 8 mm-re) anélkül, hogy hozzáérne.
3. Húzza meg az állítható vezetősín rögzítőcsavarját (35).
4. Annak érdekében, hogy a fűrész tárcsa ne érjen az állítható vezetősínhez (35), ajánlatos a gép bekapcsolása nélkül letesztelni a fűrész tárcsa mozgásának útját.

A gérszög beállítása (A ábra)

A gérvágási szög mind a bal, mind a jobb oldalon 45-45°-ra állítható be. A leggyakrabban hasz-

nált gérszögek gyors és pontos beállításához a fűrészasztalon 0°, 15°, 22,5°, 30° és 45°-előre be van programozva.

A gérszög beállítása előre beprogramozott értékre:

1. Lazítsa meg a gérvágó szög rögzítőgombját (14).
2. Húzza a gérszög állítókarját (15), és fordítsa az asztalt (11) balra vagy jobbra a kívánt beprogramozott értékhez. A szög leolvasható a gérskálán (16) a gérszög mutatóval (17).
3. Engedje el a kart. A karnak bele kell akaszzkodnia a beprogramozott érték zárócsapjába.
4. Húzza meg a gérvágó szög rögzítőgombját (14).

A gérszög beállítása tetszőleges értékre:

1. Lazítsa meg a gérvágó szög rögzítőgombját (14).
2. Húzza a gérszög állítókarját (15), és fordítsa az asztalt (11) balra vagy jobbra a kívánt helyzetbe. A szög leolvasható a gérskálán (16) a gérszög mutatóval (17).
3. Engedje el a kart, és húzza meg a gérszög állítógombját (14).

A ferdevágási szög beállítása (A, B ábra)

A ferdevágási szög balra 0° és +45° között állítható. A következő módon tegye:

1. Lazítsa meg a ferdevágási szög állítógombját (22).
2. A fogantyúval (2) döntse a fűrészst annyira, hogy a mutató (19) a kíván helyzetbe álljon a ferdeszög skálán (20).
3. Húzza meg a ferdevágási szög állítógombját (22).

A gép be- és kikapcsolása (A ábra)

- A gép beindításához nyomja és tartsa lenyomva a kioldó gombot (1), majd nyomja le a főkapcsolót (3).
- A gép kikapcsolásához engedje el az üzemi kapcsolót (3).

Keresztvágás (I, J ábra)

Végezze el az alábbi lépéseket faanyag szálirányra merőlegesen vágásához:

1. Állítsa a gép- és ferdeszöveget 0°-ra.
2. Állítsa az állítható vezetősínt belső helyzetbe, a fűrészárca irányában. Az állítható vezetősín (35) és a fűrészárca (6) közötti távolság legfeljebb 8 mm lehet, amint a J ábra mutatja. Ügyeljen arra, hogy a vezetősín ne érjen a fűrészárcahoz.
3. Szorítsa le erősen a munkadarabot.

4. Kapcsolja be a fűrészst. Győződjön meg arról, hogy a fűrészárca elérte a teljes fordulatszámot.
5. Most húzza a fogantyút lassan lefelé annyira, hogy a fűrészárca keresztülvágja a munkadarabot, és átmenjen az asztalban lévő résen. Ne nyomja túl erősen a fűrészst, hagyja, hogy az végezze el a munkát;
6. Húzza a fogantyút finoman fel, és kapcsolja ki a kapcsoló elengedésével.

Gérvágás (J, K ábra)

Végezze el ezeket a lépéseket faanyag sarkos vágásához:

1. Állítsa a gérszöveget a kívánt értékre, a ferdeszöveget pedig 0°-ra.
2. Állítsa az állítható vezetősínt belső helyzetbe, a fűrészárca irányában. Az állítható vezetősín (35) és a fűrészárca (6) közötti távolság legfeljebb 8 mm lehet, amint a J ábra mutatja. Ügyeljen arra, hogy a vezetősín ne érjen a fűrészárcahoz.
3. Szorítsa le erősen a munkadarabot.
4. Kapcsolja be a fűrészst. Győződjön meg arról, hogy a fűrészárca elérte a teljes fordulatszámot.
5. Most húzza a fogantyút lassan lefelé annyira, hogy a fűrészárca keresztülvágja a munkadarabot, és átmenjen az asztalban lévő résen. Ne nyomja túl erősen a fűrészst, hagyja, hogy az végezze el a munkát;
6. Húzza a fogantyút finoman fel, és kapcsolja ki a kapcsoló elengedésével.

Ferdevágás (L, M ábra)

Végezze el ezeket a lépéseket faanyag szélének sarkos vágásához:

1. Állítsa a gérszöveget 0°-ra, a ferdeszöveget pedig a kívánt értékre.
2. Állítsa az állítható vezetősínt külső helyzetbe, a fűrészárcaától távolodó irányban. Az állítható vezetősín (35) és a fűrészárca (6) közötti távolság legfeljebb 8 mm lehet, amint az M ábra mutatja. Ügyeljen arra, hogy a vezetősín ne érjen a fűrészárcahoz.
3. Szorítsa le erősen a munkadarabot. Ügyeljen arra, hogy a munkadarab-leszorítót a jobb oldalra tegye.
4. Kapcsolja be a fűrészst. Győződjön meg arról, hogy a fűrészárca elérte a teljes fordulatszámot.
5. Most húzza a fogantyút lassan lefelé annyira, hogy a fűrészárca keresztülvágja a munkada-

rabot, és átmenjen az asztalban lévő résen. Ne nyomja túl erősen a fűrész, hagyja, hogy az végezze el a munkát;

- Húzza a fogantyút finoman fel, és kapcsolja ki a kapcsoló elengedésével.

Kombinált vágás (M, N ábra)

A gér- és ferdevágás kombinálásához végezze el az alábbi lépéseket:

- Állítsa a gérszöveget és a ferdeszöveget a kívánt értékre.
- Állítsa az állítható vezetősínt külső helyzetbe, a fűrészárccától távolodó irányban. Az állítható vezetősín (35) és a fűrészárca (6) közötti távolság legfeljebb 8 mm lehet, amint az M ábra mutatja. Ügyeljen arra, hogy a vezetősín ne érjen a fűrészárcahoz.
- Szorítsa le erősen a munkadarabot. Ügyeljen arra, hogy a munkadarab-leszorítót a jobb oldalra tegye.
- Kapcsolja be a fűrész. Győződjön meg arról, hogy a fűrészárca elérte a teljes fordulatszámot.
- Most húzza a fogantyút lassan lefelé annyira, hogy a fűrészárca keresztülvágja a munkadarabot, és átmenjen az asztalban lévő résen. Ne nyomja túl erősen a fűrész, hagyja, hogy az végezze el a munkát;
- Húzza a fogantyút finoman fel, és kapcsolja ki a kapcsoló elengedésével.

A csúsztató funkció használata

Rendkívül széles munkadarabok fűrészeléséhez a gép csúsztató funkcióval van ellátva. A csúsztató funkció használatánál lazítsa meg a csúszósínek rögzítőcsavarját (29). Húzza el a fogantyút (2) a vezetősíntől (9) annyira, hogy a fűrészárca a munkadarab előtt legyen. Lassan irányítsa a szerszám karját a fogantúval lefelé, azután tolja fogantyút (2) a vezetősín (9) felé, majd egyenletes tempóval fűrészelve keresztül a munkadarabot.

Kis munkadaraboknál lehetséges a csúsztató funkciót a csúszósínek rögzítőcsavarjával (29) a fűrész hátsó helyzetében rögzíteni. Ha szélesebb vágás szükséges, meg kell lazítani a csúszósínek rögzítőcsavarját (29).

A hosszütőköző használata (O ábra)

A bal és jobb oldali asztaltoldatokon (10) található hosszütőköző (8) segítségével egyszerűen fűrészelhet azonos hosszúságú munkadarabokat.

- Mozgassa a hosszütőközőt (8) felfelé;
- Lazítsa meg az asztaltoldat rögzítőcsavarját (34);
- Állítsa az asztaltoldatot (10) a kívánt hosszúságra.
- Húzza meg az asztaltoldat rögzítőcsavarját (34).

A mélységütőköző beállítása (P ábra)

A mélység korlátozása céljából a mélységütőköző állítható. Ez használható egy vajat könnyű kifürészteléséhez. A következő módon tegye:

- Lazítsa meg a mélységállító csavaros anyáját (45);
- Állítsa a mélységállító gombot (24) a kívánt mélységre.
- Húzza meg a mélységállító csavaros anyáját (45).

A lézer be- és kikapcsolása (B ábra)

A lézer kapcsolójának (46) megnyomásával kapcsolja be a készüléket. A lézerkapcsoló (46) egyúttal a LED-munkalámpát is bekapcsolja.

Finombeállítás



Bármilyen beállítás előtt húzza ki a hálózati csatlakozódugaszt a konnektorból.

A pontos vágás érdekében az első használat előtt, valamint intenzív használat után ellenőrizni kell, illetve el kell végezni kell a fűrész alapbeállításait. Ehhez speciális szerszámok alkalmasak. A Vonroc eladás utáni szolgáltatása segítséget nyújt ennek a munkának a gyors és megbízható elvégzésével.

A lézer finombeállítása (Q ábra)

Megjegyzés: A lézerfunkció teszteléséhez az elektromos szerszámot a tápegységhez kell csatlakoztatni.



A lézer beállítása közben (pl. a szerszámkar mozgatásakor) soha ne kapcsolja be az üzemi kapcsolót. Az elektromos szerszám véletlen elindítása sérülésekhez vezethet.

Ha a lézer (18) már nem mutatja pontosan a vágási vonalat, újra be kell állítani. A következő módon tegye:

- Lazítsa meg a lézerkészülék állítócsavarját (48), majd addig mozgassa a készüléket, amíg a lézernyalábok el nem érik a fűrészárca (6) fogait;
- Húzza meg a lézerállító csavarokat (48).

A 0°-os ferdevágási szög ferdeszög finombeállítása (R, S ábra)

1. Állítsa a gép- és ferdeszöget 0°-ra.
2. Engedje le a fogantyút (2), és rögzítse a helyzetrögzítő gombbal (38).
3. Zárja a csúszó mozgást a csúszósínek rögzítő-csavarjával (29).
4. Állítson egy szögmérőt 90°-ra, és helyezze az asztalra (11), amint az S ábra szemlélteti. A szögmérő lába teljes hosszúságban szintben legyen a fűrész tárcsával (6);
5. Lazítsa meg a 0°-os ferdeszög rögzítőanyáját (50).
6. Állítsa a 0°-os ferdeszög ütközőcsavarját (32) úgy, hogy a szögmérő lába teljes hosszúságban szintben legyen a fűrész tárcsával.
7. Húzza meg a 0°-os ferdeszög rögzítőanyáját (50).

Ezután ellenőrizze a szögmutató (19) helyzetét. Szükség esetén Philips csavarhúzóval lazítsa meg a mutatót, állítsa 0°-ra a ferdeszög skálán (20), majd húzza meg a rögzítőcsavart.

A 45°-os ferdevágási szög ferdeszög finombeállítása (R, T ábra)

1. Állítsa a gép- és ferdeszöget 45°-ra.
2. Engedje le a fogantyút (2), és rögzítse a helyzetrögzítő gombbal (38).
3. Zárja a csúszó mozgást a csúszósínek rögzítő-csavarjával (29).
4. Állítson egy szögmérőt 90°-ra, és helyezze az asztalra (11), amint a T ábra szemlélteti. A szögmérő lába teljes hosszúságban szintben legyen a fűrész tárcsával (6).
5. Lazítsa meg a 45°-os ferdeszög rögzítőanyáját (49).
6. Állítsa a 45°-os ferdeszög ütközőcsavarját (31) úgy, hogy a szögmérő lába teljes hosszúságban szintben legyen a fűrész tárcsával.
7. Húzza meg a 45°-os ferdeszög rögzítőanyáját (49).

Ezután ellenőrizze a szögmutató (19) helyzetét. Szükség esetén Philips csavarhúzóval lazítsa meg a mutatót, állítsa 45°-ra a ferdeszög skálán (20), majd húzza meg a rögzítőcsavart.

A 0°-os gérszög finombeállítása (U, V ábra)

1. Állítson egy szögmérőt 0°-ra az asztalon (11), majd tegye a vezetősín (9) és a fűrész tárcsa (6) közé.
2. A szögmérő lábának teljes hosszában szintben kell lennie a fűrész tárcsával (6).

3. Lazítsa meg az állítható vezetősín rögzítőcsavarját (35), majd utána lazítsa meg az állítható vezetősín biztonsági csavarjait (36).
4. Távolítsa el a bal és a jobb állítható vezetősínt (7) is. Ekkor hozzáférhet a vezetősín csavarjaihoz (51).
5. Állítsa a vezetősín mind a négy csavarját (51), és állítsa a vezetősínt (9) úgy, hogy a szögmérő lába teljes hosszúságban szintben legyen a fűrész tárcsával.
6. Húzza meg a vezetősín mind a négy csavarját (51). Ezután ellenőrizze a szögmutató (17) helyzetét. Szükség esetén Philips csavarhúzóval lazítsa meg a mutatót, állítsa 0°-ra a gérszög skálán (16), majd húzza meg a rögzítőcsavart.
7. Rögzítse a bal és a jobb állítható vezetősínt (7).
8. Húzza meg az állítható vezetősín rögzítőcsavarját (35), majd utána húzza meg az állítható vezetősín biztonsági csavarjait (36).

5. KARBANTARTÁS



Ha bármilyen karbantartást szeretne végezni a gépen, előtte minden esetben győződjön meg arról, hogy a gép nincs csatlakoztatva az elektromos hálózathoz.

A gép burkolatát rendszeresen, lehetőleg minden használat után törölje át puha ronggyal. Ügyeljen arra, hogy a szellőzőnyílások portól és piszoktól mentesek legyenek. Makacs szennyeződésekhez használjon szappanos vízzel átitatott ruhát. Ne használjon oldószert, benzint, alkoholt, ammóniát stb. Az ilyen vegyszerek kárt tesznek a szintetikus alkatrészekben.

A védőburkolatok tisztítása

A gép használata előtt mindig ellenőrizze, nincs-e törmelék a védőburkolaton (4) és a visszahúzható védőburkolaton (5). Kefével vagy hasonló eszközzel takarítsa el róla a fűrészport és forgácsot.

Az asztalbetét cseréje



A sérült asztalbetétet azonnal cserélje ki.

Sérült asztalbetét (13) használatánál fennáll annak veszélye, hogy az asztalbetét és a fűrész tárcsa közé beszorult apró részecskék a fűrész tárcsa elakadását okozzák. Az asztalbetét cseréje:

1. Philips csavarhúzóval csavarja ki az asztalbetét csavarjait. Ha szükséges, állítson a gér- és ferdeszögön, hogy hozzáférjen a csavarokhoz.
 2. Távolítsa el az asztalbetétet.
 3. Szereljen fel új asztalbetétet.
 4. Philips csavarhúzóval húzza meg a csavarokat.
- A terméket szabálytalanul vagy nem rendeltetésszerűen használták, vagy a karbantartása nem volt megfelelő.
 - Nem eredeti pótalkatrészeket használtak.

A jelen garancia a vállalat által (akár kifejezetten, akár hallgatólagosan) biztosított kizárólagos garancia. Nem biztosítunk más garanciákat (sem kifejezett, sem beleértett garanciákat, ideértve az értékesíthetőségre és az adott célra való alkalmasságra vonatkozó hallgatólagos garanciákat is), amelyek a jelen garancia hatókörén túlmutatnak. A VONROC semmilyen esetben sem felelős semmilyen járulékos vagy következményes kárért. A forgalmazók jogorvoslati teendői az előírásoknak nem megfelelő egységek vagy alkatrészek javítására és cseréjére korlátozódnak.

Csúszósínek

A piszok árthat a csúszósíneknek (25), és ezáltal a gép működésének.

- Puha ronggyal rendszeresen tisztítsa a csúszósíneket.
- Csepegtessen valamennyi kenőolajat a csúszósínekre.
- Mozgassa a gérfűrész elölré hátra, hogy az olaj teljesen szétterjedjen a síneken.

KÖRNYEZET



A hibás vagy már feleslegessé vált elektromos, elektronikus készülékeket az ezzel foglalkozó hulladékgyűjtő helyeken kell leadni.

Csak EU országokban

Elektromos szerszámot ne dobjon a háztartási hulladékba. Az elektromos és elektronikai hulladékokra vonatkozó, 2012/19/EK európai irányelv és annak a nemzeti törvénykezésbe történő átültetése értelmében az elhasznált elektromos készülékeket külön kell gyűjteni és környezetbarát módon kell ártalmatlanítani.

GARANCIA

A VONROC termékei a legmagasabb minőségi normák szerint készülnek, és az eredeti vásárlás napjától számított, törvényileg előírt időtartamig garantáljuk, hogy anyag- és gyártási hibáktól mentesen fognak működni. Ha a termékben ezen időszak alatt bármilyen hiba jelentkezik anyag- és/ vagy gyártási hiba miatt, kérjük, forduljon közvetlenül az Ön VONROC kapcsolattartójához.

A szavatosság nem érvényes a következő körülmények egyikére sem:

- Nem hivatalos szervizközpontok javítást vagy módosítást végeztek (vagy megkíséreltek javítást vagy módosítást végezni) a gépen.
- Normál elhasználódás és kopás.

A termék és a használati útmutató változtatásának jogát fenntartjuk. A műszaki adatok előzetes bejelentés nélkül változhatnak.

1. BEZPEČNOSTNÍ POKYNY

Přečtěte si přiložené bezpečnostní výstrahy, dodatečné bezpečnostní výstrahy a bezpečnostní pokyny. Nebudete-li dodržovat tyto bezpečnostní výstrahy a pokyny, může dojít k úrazu elektrickým proudem, k vzniku požáru nebo k vážnému zranění. Uschovejte tyto bezpečnostní výstrahy a pokyny pro budoucí použití.

V tomto návodu k obsluze a na tomto výrobku jsou použity následující symboly:



Přečtěte si návod k obsluze.



Upozorňuje na riziko zranění osob, ztráty života nebo poškození zařízení, nebudou-li dodržovány pokyny uvedené v tomto návodu.



Nebezpečí úrazu elektrickým proudem.



Udržujte ostatní osoby v bezpečné vzdálenosti.



Používejte ochranu proti prachu.



Používejte ochranu sluchu.



Používejte ochranu zraku.



Pozor: Laserové záření. Nedívejte se do paprsku laseru třídy 2.



Když je zařízení v provozu, nekládejte ruce do prostoru řezu. Kontakt s pilovým kotoučem může způsobit zranění.



Nebezpečný prostor! Nekládejte ruce, prsty ani paže do tohoto prostoru.



Provádějte přepravu tohoto stroje pouze v případě, je-li složen do přepravní polohy.



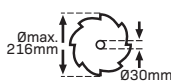
Stroj třídy II – Dvojitá izolace – Nemusí být použit uzemňovací vodič.



Tento výrobek je vyroben v souladu s platnými bezpečnostními normami, které jsou uvedeny ve směrnicích EU.



Nastavitelné vodítko musí být při řezání pokosových/šikmých řezů vytaženo ven.



Věnujte pozornost rozměrům pilového kotouče. Otvor na pilovém kotouči musí sedět na hřídeli nářadí bez jakékoli vůle. Musíte-li použít redukce, zajistěte, aby byly rozměry redukce vhodné pro tloušťku kotouče a průměr otvoru v kotouči, ale také pro průměr hřídele nářadí. Pokud je to možné, použijte redukce dodávané s pilovým kotoučem. Průměr pilového kotouče se musí shodovat s informacemi uvedenými na symbolu.

ZÁKLADNÍ BEZPEČNOSTNÍ VÝSTRAHY PRO ELEKTRICKÉ NÁŘADÍ



VAROVÁNÍ! Přečtěte si všechny bezpečnostní výstrahy, pokyny, ilustrace a technické údaje dodané s tímto elektrickým nářadím.

Nebudete-li dodržovat všechny níže uvedené pokyny, může dojít k úrazu elektrickým proudem, k vzniku požáru nebo k způsobení vážného zranění.

Uschovejte všechny bezpečnostní výstrahy a pokyny pro budoucí použití.

Pojem „elektrické nářadí“ v těchto varováních odkazuje na elektrické nářadí napájené z elektrické sítě (s napájecím kabelem) nebo z akumulátoru (bez napájecího kabelu).

1) Bezpečnost pracovního prostoru

- a) **Udržujte čistotu na pracovišti a zajistěte jeho řádné osvětlení.** Neuklizená nebo tmavá místa přivolávají nehody.
- b) **Nepoužívejte elektrická nářadí ve výbušných prostředích, jako jsou místa s přítomností hořlavých kapalin, plynů nebo prachu.** V elektrickém nářadí dochází k jiskření, které může způsobit vznícení prachu nebo výparů.
- c) **Při práci s tímto elektrickým nářadím udržujte děti a okolo stojící osoby v bezpečné vzdálenosti.** Rozptylování může způsobit ztrátu kontroly nad nářadím.

2) Elektrická bezpečnost

- a) **Zástrčka napájecího kabelu nářadí musí odpovídat zásuvce. Zástrčku nikdy žádným způsobem neupravujte. Nepoužívejte u uzemněného elektrického nářadí žádné adaptéry zástrček.** Neupravené zástrčky a odpovídající zásuvky snižují riziko úrazu elektrickým proudem.
- b) **Vyvarujte se kontaktu s uzemněnými povrchy, jako jsou potrubí, radiátory, trouby a ledničky.** Dojde-li k uzemnění vašeho těla, hrozí zvýšené riziko způsobení úrazu elektrickým proudem.
- c) **Nevystavujte elektrické nářadí dešti ani vlhkému prostředí.** Dostane-li se do elektrického nářadí voda, zvýší se riziko úrazu elektrickým proudem.
- d) **Nezacházejte špatně s napájecím kabelem. Nikdy nepoužívejte napájecí kabel pro přenášení nebo tahání elektrického nářadí ani netahejte za tento kabel při vypořádání zástrčky ze zásuvky. Dbejte na to, aby tento kabel nepřecházel přes horké a mastné povrchy nebo přes ostré hrany, a aby se nedostal do kontaktu s pohyblivými se částmi.** Poškozené nebo zamotané kabely zvyšují riziko úrazu elektrickým proudem.
- e) **Používáte-li elektrické nářadí venku, používejte prodlužovací kabel vhodný pro venkovní použití.** Použití prodlužovacího kabelu pro venkovní použití snižuje riziko úrazu elektrickým proudem.
- f) **Musíte-li používat toto elektrické nářadí ve vlhkém prostředí, používejte v elektrickém obvodu proudový chránič (RCD).** Použití proudového chrániče (RCD) snižuje riziko úrazu elektrickým proudem.

3) Bezpečnost osob

- a) **Při práci s tímto elektrickým nářadím buďte stále pozorní, sledujte, co provádíte, a používejte zdravý rozum. Nepoužívejte elektrické nářadí, jste-li unaveni nebo jste-li pod vlivem drog, alkoholu nebo léků.** Chvilková nepozornost při práci s elektrickým nářadím může způsobit velmi vážné zranění.
- b) **Používejte osobní ochranné prostředky. Vždy používejte ochranu zraku.** Ochranné prostředky, jako jsou maska proti prachu, neklouzavá pracovní ochranná obuv, pevná přilba nebo chrániče sluchu, které jsou používány v příslušných podmínkách, zmenšují riziko způsobení zranění osob.
- c) **Zabraňte náhodnému spuštění nářadí. Před připojením elektrického nářadí k napájecímu zdroji nebo před vložením akumulátoru do nářadí také před zvednutím nářadí nebo před**

jeho přenášením se ujistěte, zda je vypínač na nářadí v poloze vypnuto. Přenášení elektrického nářadí s prstem na spínači nebo připojení elektrického nářadí ke zdroji elektrické energie, je-li spínač v poloze zapnuto, zvyšuje pravděpodobnost vzniku nehod.

- d) **Před zapnutím elektrického nářadí vždy odstraňte všechny klíče a seřizovací přípravky.** Klíče nebo seřizovací přípravky ponechané na rotující části elektrického nářadí mohou způsobit zranění osob.
 - e) **Nepřeceňujte své síly. Vždy udržujte správný postoj a rovnováhu.** Tak si zachováte lepší kontrolu nad nářadím v neočekávaných situacích.
 - f) **Vhodně se oblékejte. Nenoste volný oděv ani šperky. Udržujte své vlasy a oděv v dostatečné vzdálenosti od pohyblivých částí.** Volný oděv, šperky nebo dlouhé vlasy mohou být zachyceny pohyblivými se částmi.
 - g) **Jsou-li zařízení vybavena adaptérem pro připojení odsávacího systému, ujistěte se, zda je odsávací zařízení správně připojeno a zda správně plní svoji funkci.** Použití odsávání prachu může snížit rizika spojená s prací v prašném prostředí.
 - h) **Nedovoďte, aby jistota získaná častým používáním nářadí vedla ke snížení vaší pozornosti a ignorování zásad bezpečné práce s nářadím.** Chvilková nepozornost může během zlomku sekundy způsobit vážné zranění.
- ## 4) Použití elektrického nářadí a jeho údržba
- a) **Nepřetěžujte elektrické nářadí. Používejte pro prováděnou práci správné elektrické nářadí.** Správné elektrické nářadí provede práci lépe a bezpečněji, je-li použito pro práce, pro které je určeno.
 - b) **Nepoužívejte elektrické nářadí, nepracuje-li správně jeho spouštěcí spínač.** Elektrické nářadí, které nelze ovládat pomocí spouštěcího spínače, je velmi nebezpečné a musí být opraveno.
 - c) **Před prováděním jakéhokoliv seřízení, před výměnou příslušenství nebo před uložením odpojte napájecí kabel nářadí od napájecího zdroje nebo z nářadí vyjměte akumulátor, je-li to možné.** Tato preventivní bezpečnostní opatření snižují riziko náhodného spuštění elektrického nářadí.
 - d) **Uložte nepoužívané elektrické nářadí mimo dosah dětí a nedovoďte osobám, které nejsou obeznámeny s tímto nářadím nebo s těmito pokyny, aby toto elektrické nářadí používaly.**

Elektrické nářadí je v rukách neproškolených osob nebezpečné.

- e) **Provádějte údržbu elektrického nářadí a příslušenství. Zkontrolujte nevyrovnání nebo vážnutí pohyblivých částí, poškození součástí a jiné stavy, které by mohly mít vliv na správnou funkci nářadí. Je-li elektrické nářadí poškozeno, zajistěte jeho opravu dříve, než ho použijete.** Mnohé nehody bývají způsobeny nedostatečnou údržbou elektrického nářadí.
- f) **Udržujte řezné nástroje ostré a čisté.** U správně udržovaných řezných nástrojů s ostrými řeznými břity je menší pravděpodobnost jejich zablokování a lépe se s nimi pracuje.
- g) **Používejte elektrické nářadí, příslušenství, pracovní nástroje atd. v souladu s těmito pokyny a berte v úvahu pracovní podmínky a práci, která má být provedena.** Použití elektrického nářadí pro práce, pro které není určeno, může vést k nebezpečným situacím.
- h) **Dbejte na to, aby byly rukojeti a úchopné povrchy suché, čisté a zbavené olejů a maziv.** Kluzké rukojeti a úchopné plochy neumožňují bezpečnou manipulaci a ovládání nářadí v neobvyklých situacích.
- 6) **Servis**
- a) **Svěřte opravu svého elektrického nářadí pouze osobě s příslušnou kvalifikací, která bude používat výhradně originální náhradní díly.** Tím zajistíte bezpečný provoz tohoto elektrického nářadí.

SPECIFICKÉ BEZPEČNOSTNÍ POKYNY

- **Pokosové pily jsou určeny pro řezání dřeva nebo výrobků na bázi dřeva; nesmí se používat s rozbrušovacími kotouči na řezání železných materiálů, jako jsou kulatiny, tyče, svorníky atd.** Prach z takových materiálů způsobuje zablokování pohyblivých dílů, jako je spodní kryt. Jiskry vznikající při řezání kovů způsobí vznícení spodního krytu, vložky stolu a dalších plastových dílů.
- **Kdykoli je to možné, používejte k upnutí obrobku svorky. Budete-li obrobek přidržovat rukou, vaše ruka musí být vždy ve vzdálenosti minimálně 100 mm od jedné nebo druhé strany pilového kotouče. Nepoužívejte tuto pilu pro řezání obrobků, které jsou příliš malé na to, aby byly bezpečně upnuty nebo drženy rukou.** Bude-li se vaše ruka nacházet příliš blízko

u pilového kotouče, bude hrozit zvýšené riziko zranění způsobeného tímto pilovým kotoučem.

- **Obrobek musí být v nehybné poloze a musí být upnutý nebo opřený o vodítko a stůl pily. Nevlačujte obrobek do pilového kotouče a nikdy neřežte volně od ruky.** Nezájistěné nebo pohybující se obrobky by mohly být vysokou rychlostí odmrštěny, a tak by mohly způsobit zranění.
- **Protlačujte pilový kotouč přes obrobek. Neprotahujte pilový kotouč přes obrobek. Chcete-li provést řez, zvedněte hlavu pily a přetáhněte ji směrem k sobě nad obrobek, aniž byste prováděli řez. Zapněte motor, stlačte hlavu pily směrem dolů a protlačte pilový kotouč přes obrobek.** Řezání přitahováním kotouče pravděpodobně způsobí, že pilový kotouč vystoupá na horní část obrobku a celá sestava bude prudce odhozena směrem na obsluhu.
- **Nikdy neprovádějte křížení rukou přes určenou čáru řezu, a to před i za pilovým kotoučem.** Držení obrobku, máte-li překřížené ruce, to znamená, že budete držet obrobek na pravé straně pilového kotouče levou rukou a naopak, je velmi nebezpečné.
- **Nesahejte rukama za vodítko do vzdálenosti menší než 100 mm od jedné nebo druhé strany pilového kotouče, abyste odstranili odřezky dřeva nebo z jakéhokoli jiného důvodu, je-li pilový kotouč v pohybu.** Blízkost pilového kotouče u vaší ruky nemusí být zřejmá, a tak může dojít k vašemu vážnému zranění.
- **Obrobek před řezáním vždy zkontrolujte. Je-li obrobek ohnutý nebo deformovaný, upněte jej vnější vyklenutou částí směrem k vodítku. Vždy se ujistěte, zda mezi obrobkem, vodítkem a stolem podél čáry řezu není žádná vůle.** Ohnutý nebo deformovaný obrobek se může během řezání kroutit nebo posouvat a může způsobit zablokování rotujícího pilového kotouče. V obrobku nesmí být žádná hřebíky nebo cizí předměty.
- **Nepoužívejte tuto pilu, dokud nebudou z jejího stolu odstraněny všechny nástroje, odřezky dřeva atd., mimo samotný obrobek.** Malé kousky dřeva nebo jiné předměty, které se dostanou do kontaktu s rotujícím pilovým kotoučem, mohou být odmrštěny vysokou rychlostí.
- **Vždy řežte pouze jeden obrobek.** Více obrobků položených na sobě nemůže být odpovídajícím způsobem upnuto nebo podepřeno a během řezání může dojít k jejich posuvu a k zablokování pilového kotouče.

- **Zajistěte, aby byla tato pokosová pila před použitím namontována nebo umístěna na rovné a pevné pracovní ploše.** Rovný a pevný pracovní povrch snižuje riziko způsobení nestability této pokosové pily.
- **Plánujte si svou práci. Provádíte-li změnu nastavení úhlu šikmého nebo pokosového řezu, vždy se ujistěte, zda je správně seřizeno nastavitelné vodítko, aby podpíralo obrobek a aby nemohlo dojít ke kontaktu s pilovým kotoučem nebo ochranným systémem.** Bez zapnuté pily a bez obrobku na stole pily proveďte ramenem pily kompletní simulovaný řez, abyste se ujistili, zda nebude hrozit žádné riziko pořezání vodítka pily.
- **Budete-li pracovat s obrobky, které budou širší nebo delší než horní stůl pily, použijte odpovídající podpěry, jako jsou prodloužení stolu, stojany atd.** Obrobky, které jsou delší nebo širší než stůl této pokosové pily a které nejsou bezpečně podepřeny, se mohou převrátit. Dojde-li k převrácení odřezané části nebo obrobku, může dojít k zvednutí spodního krytu nebo k jejich odmrštění rotujícím pilovým kotoučem.
- **Nepoužívejte další osobu jako náhradu za prodloužení stolu nebo jako doplňkovou podpěru.** Nestabilní podpěra obrobku může způsobit zablokování pilového kotouče nebo posuv obrobku během řezání a vaše následné vtažení i vtažení vašeho pomocníka do rotujícího pilového kotouče.
- **Odřezaná část obrobku nesmí být žádným způsobem zaseknuta nebo přitisknuta k rotujícím pilovým kotoučům.** Je-li odřezaný kus omezen v pohybu, například pomocí délkových dorazů, může se zaklínit proti pilovému kotouči a může být prudce odmrštěn.
- **Vždy používejte svorky nebo upínací přípravky určené pro řádné podepření kulatých materiálů, jako jsou kulatina nebo potrubí.** Tyče mají tendenci se během řezání odvalovat, což způsobuje „zakousnutí“ pilového kotouče a vtažení obrobku i s vaší rukou do pilového kotouče.
- **Před kontaktem s obrobkem nechejte pilový kotouč dosáhnout maximálních otáček.** Tak je sníženo riziko odmrštění obrobku.
- **Dojde-li k zablokování obrobku nebo pilového kotouče, vypněte tuto pokosovou pilu. Počkejte, dokud nedojde k zastavení všech pohybujících se částí a odpojte zástrčku napájecího kabelu od zásuvky anebo vyjměte z nářadí akumulátor. Potom proveďte uvolnění zablokovaného materiálu.** Budete-li pokračovat v práci se zablokovaným obrobkem, mohlo by dojít k ztrátě kontroly nebo k poškození této pokosové pily.
- **Po dokončení řezu uvolněte spouštěcí spínač, držte hlavu pily se spodní poloze a před odstraněním odřezané části počkejte na zastavení pilového kotouče.** Sáhání rukou do blízkosti rotujícího pilového kotouče je nebezpečné.
- **Držte pevně rukojeť při provádění neúplného řezu nebo při uvolnění spouštěcího spínače, dokud nebude hlava pily zcela ve své spodní poloze.** Brzdný účinek pily může způsobit, že bude hlava pily náhle stažena směrem dolů, což zvyšuje riziko zranění.
- **Udržujte pracovní prostor v čistotě.** Nebezpečné jsou zejména materiálové směsi. Prach z lehkých kovů může způsobit požár nebo explozi.
- **Nepoužívejte tupé, prasklé, deformované nebo poškozené pilové kotouče. Tupé nebo nesprávně nastavené pilové kotouče vytváří úzký řez způsobující nadměrné tření, ohýbání pilového kotouče a zpětné rázy.**
- **Nepoužívejte pilové kotouče vyrobené z rychlořezné oceli (HSS).** Tyto pilové kotouče mohou snadno prasknout.
- **Vždy používejte pilové kotouče správné velikosti a se správným tvarem upínacího otvoru (hranatý nebo kulatý).** Pilové kotouče s upínacími otvory, které neodpovídají montážním prvkům pily, nebudou při otáčení vystředěné, což způsobí ztrátu kontroly nad pilou.
- **Nenahrazujte zabudovaný laser laserem jiného typu.** Laser, který není kompatibilní s tímto elektrickým nářadím, by mohl představovat riziko zranění osob.
- **Nikdy z prostoru řezu neodstraňujte odřezky, dřevěné piliny atd., je-li tato pila stále v chodu.** Vždy nejdříve nastavte rameno pily zpět do neutrální polohy a potom proveďte vypnutí pily.
- **Nedotýkejte se pilového kotouče po ukončení práce, dokud nevychladne.** Při řezání jsou pilové kotouče velmi horké.
- **Dbejte na to, aby byly výstražné štítky na stroji stále čitelné.**
- **Zasáhne-li laserový paprsek váš zrak, musíte okamžitě zavřít oči a otočit hlavu směrem od tohoto paprsku.**
- **Nepoužívejte žádné optické přístroje, jako je například dalekohled, abyste si prohlédli zdroj laserového záření.** Takový úkon může poškodit váš zrak.

- **Nemiřte laserovým paprskem na osoby, které se dívají do dalekohledů nebo do podobných přístrojů.** Takový úkon může poškodit jejich zrak.
- **Neprovádějte žádné úpravy tohoto laserového přístroje.** Možnosti nastavení popsané v těchto pokynech pro obsluhu mohou být bezpečně použity.
- **Nestůjte v ose pilového kotouče před tímto elektrickým nářadím.** Vždy stůjte na jedné nebo druhé straně pilového kotouče. Tak budete chránit své tělo před možným zpětným rázem.
- **Udržujte ruce, prsty a paže v bezpečné vzdálenosti od rotujícího pilového kotouče.**
- **Nesahejte jednou rukou přes druhou, stojte-li před ramenem pily.**
- **Zabraňte přehřívání zubů pilového kotouče. Dojde-li k přehřátí pilového kotouče, zastavte tuto pilu.** Před opětovným použitím této pily nechejte pilový kotouč vychladnout.
- **Poškozený nebo opotřebený pilový kotouč ihned vyměňte.**
- **Používejte pouze pilové kotouče, které se shodují se specifikací uvedenou v tomto návodu a které byly testovány a označeny podle požadavků normy EN 847-1.**
- **Při řezání obloukových nebo kulatých obrobků musí být tyto obrobky speciálně zajištěny tak, aby nedošlo k jejich prokluzování. Na čáře řezu nesmí být žádná vůle mezi obrobkem, vodítkem a stolem pily.** V případě potřeby si budete muset vyrobit speciální upínací přípravky.

Elektrická bezpečnost



Vždy zkontrolujte, zda se napájecí napětí sítě shoduje s napájecím napětím na výkonovém štítku.

- Je-li napájecí kabel tohoto elektrického nářadí poškozen, musí být vyměněn za speciálně připravený napájecí kabel, který je dostupný prostřednictvím servisní organizace.
- Používejte pouze prodlužovací kabely, které jsou vhodné pro příkon tohoto zařízení a které mají minimální průřez 1,5 mm². Budete-li používat prodlužovací kabel na cívce, vždy odmotejte celý kabel.

2. INFORMACE O ZAŘÍZENÍ

Zamýšlené použití

Toto nářadí je navrženo jako stacionární stroj a je určeno pro provádění přímých podélných a příčných řezů dřeva. Mohou být prováděny pokosové řezy -45° až +45° a šikmé řezy -0° až +45°. Toto elektrické nářadí s namontovaným pilovým kotoučem je navrženo s dostatečnou kapacitou pro řezání tvrdého a měkkého dřeva, a také dřevotřískových a dřevovláknitých desek. Tento pilový kotouč není určen pro řezání palivového dřeva. Nepoužívejte tuto pilu pro řezání jiných materiálů, než jsou materiály specifikované v tomto návodu.

TECHNICKÉ ÚDAJE

Model č.	MS504AC
Napětí	220-240 V~
Kmitočet	50 Hz
Příkon	1800 W S1 - 2200 W S6 40 %*
Otáčky naprázdno	5200/min
Úhly pokosového řezu	-45° <> +45°
Úhly šikmého řezu	-45° <> 0° doleva, jednoduché
Specifikace pilového kotouče:	
Průměr	Ø 216 mm
Základní tloušťka kotouče	1,6 mm
Šířka řezu	2,8 mm
Průměr otvoru	Ø 30 mm
Počet zubů	40T
Kapacita pily (výška × šířka):	
Pokosový 0° - šikmý 0°	65 × 300 mm
Pokosový 0° - šikmý 45°	38 × 300 mm
Pokosový 45° - šikmý 0°	65 × 200 mm
Pokosový 45° - šikmý 45°	38 × 200 mm
Minimální rozměry obrobku	3 × 10 mm
Specifikace laseru:	
Třída	2
Vlnová délka	650 nm
Výkon	< 1 mW
Hmotnost	14 kg
Lpa (akustický tlak)	98 dB(A) KpA: 3 dB(A)
Lwa (akustický výkon)	111 dB(A) KWA: 3 dB(A)

- * S6, nepřetržitý provoz, pravidelné zatížení. Stejně pracovní cykly s periodou zatížení následovanou periodou bez zatížení. Doba chodu 10 minut; pracovní cyklus je 40 % doby provozu.

POPIS

Čísla v následujícím textu odkazují na obrázky na stranách 2–7.

1. Uvolňovací tlačítko
2. Rukojeť
3. Vypínač
4. Ochranný kryt
5. Zásunovací ochranný kryt
6. Pilový kotouč
7. Nastavitelné vodítko
8. Délkový doraz
9. Vodítko
10. Prodloužení stolu
11. Stůl
12. Montážní otvory
13. Vložka stolu
14. Upínací šroub pro nastavení pokosu
15. Páka pro nastavení pokosového řezu
16. Měřítko úhlů pokosového řezu
17. Indikátor úhlu pokosového řezu
18. Laser
19. Indikátor úhlu šikmého řezu
20. Měřítko úhlů šikmého řezu
21. Svorka obrobku
22. Upínací šroub úhlu šikmého řezu
23. Váleček
24. Šroub hloubkového dorazu
25. Vodicí tyče
26. Vak na prach
27. Rukojeť pro přenášení
28. Výstup pro odvod prachu
29. Upínací šroub pro vodicí tyče
30. Pokosové rameno
31. Dorazový šroub pro úhel šikmého řezu 45°
32. Dorazový šroub pro úhel šikmého řezu 0°
33. Zajišťovací šroub pro upínací svorky obrobku
34. Upínací šroub prodloužení stolu
35. Upínací šroub nastavitelného vodítka
36. Pojistný šroub nastavitelného vodítka
37. Přední chránič proti překlopení
38. Zajišťovací kolík polohy
39. Knoflík pokosového ramena
40. Přídržný šroub
41. Upínací příruba
42. Upínací šroub

43. Zajištění hřídele
44. Upínací šroub svorky obrobku
45. Rýhovaná matice pro nastavení hloubky
46. Pracovní LED svítlna
47. Šroub pokosového ramena
48. Šrouby pro nastavení laseru
49. Pojistná matice pro úhel šikmého řezu 45°
50. Pojistná matice pro úhel šikmého řezu 0°
51. Šrouby vodítka
52. Držák pokosového ramena

3. SESTAVENÍ



Před prováděním jakékoliv práce na tomto stroji odpojte zástrčku jeho napájecího kabelu od síťové zásuvky.

Přepravní poloha (obr. B, C)

Zajišťovací kolík polohy (38) usnadňuje přesun tohoto elektrického nářadí při jeho přepravě na různá pracoviště.

Odištění přepravní polohy (pracovní poloha)

1. Stlačte mírně dolů rukojeť (2);
2. Zcela vytáhněte zajišťovací kolík polohy (38) a zajistěte jej jeho otočením;
3. Pohybuje rukojeť (2) pomalu nahoru.

Zajištění přepravní polohy (přepravní poloha)

Před zajištěním v přepravní poloze se ujistěte, zda je šroub hloubkového dorazu (24) nastaven na neomezenou hloubku. Tak může být rukojeť (2) přesunuta zcela dolů, aniž by se dostala do kontaktu s hloubkovým dorazem. Odstraňte také každé příslušenství, které nemůže být bezpečně upevněno k této pile.

1. Povolte upínací šroub vodicích tyčí (29), je-li utažen;
2. Přitáhněte rukojeť (2) směrem k sobě a utáhněte upínací šroub vodicích tyčí (29);
3. Stlačte rukojeť (2) zcela dolů;
4. Zajistěte zajišťovací kolík polohy (38) nejdříve jeho vytažením a následným otočením;
5. Naviňte napájecí kabel a svažte jej dodanou upínací páskou.

Po zajištění přepravní polohy použijte pro bezpečné přenášení a přepravu této pily rukojeť pro přenášení (27).



Pro přepravu této pily používejte pouze rukojeť pro přenášení a nikdy nepřenášejte tuto pilu uchopením za ochranné kryty.



Před montáží tohoto elektrického nářadí proveďte řádné sestavení rámu. Správné sestavení tohoto rámu je velmi důležité, abyste zabránili riziku pádu pily.

Sestavení pokosového ramena (obr. D, Y)

Přední část plochy stolu, dále označovaná jako pokosové rameno (30), lze demontovat pro dosažení ještě menších vnějších rozměrů již tak kompaktní pokosové pily. Sestavení pokosového ramena:

1. Odjistěte přepravní polohu (pracovní poloha);
2. Povolte upínací šroub pro nastavení pokosu (14);
3. Otočte stůl (11) doleva nebo doprava na přednastavenou polohu 0°. Úhel řezu můžete odečíst na měřítku úhlu pokosového řezu (16) pomocí indikátoru úhlu pokosového řezu (17);
4. Zatlačte knoflík pokosového ramena (39) jednou rukou, jak ukazuje obrázek D1;
5. Druhou rukou nasuňte pokosové rameno (30) na stůl (11), jak ukazuje obrázek D2, držte při tom stisknutou páku pro nastavení pokosového řezu (15). Ujistěte se, že konce obráceného trojúhelníku pokosového ramena (30) správně zapadají do identicky tvarovaných zářezů na stole (11);
6. Nyní uvolněte knoflík pokosového ramena (39) a páku pro nastavení pokosového řezu (15);
7. Zajistěte pokosové rameno (30) utažením šroubu pokosového ramena (47), jak ukazuje obrázek D-3.

Poznámka: když je demontované, je možné pokosové rameno (30) uložit do držáku pokosového ramena (52), jak ukazuje obrázek Y.

Instalace stacionárního stroje (obr. A, B, D)

Toto elektrické nářadí musí být namontováno na rovný a stabilní pracovní povrch (například pracovní stůl), aby byla zajištěna jeho bezpečné ovládání. Tato pila může být instalována třemi způsoby:

1. Na pracovním stole

V takovém případě musí být tato vrtačka bezpečně upevněna k pracovnímu stolu pomocí vhodných šroubů. K tomuto účelu použijte čtyři otvory (12). Jak ukazuje obrázek D.

2. Na pomocném rámu



Přečtěte si všechny výstrahy a pokyny dodané s pomocným rámem na pilu. Nebudete-li dodržovat tyto bezpečnostní výstrahy a pokyny, může dojít k úrazu elektrickým proudem, k požáru nebo k vážnému zranění.

3. Flexibilní instalace



Tento typ instalace není výrobcem doporučen.

Pokud není ve výjimečných případech namontování tohoto elektrického nářadí na rovný a stabilní povrch možné, můžete zaimprovizovat nastavením tohoto nářadí pomocí chráničů proti překlopení.



Bez chrániče proti překlopení nebude toto elektrické nářadí stabilní a může se převrátit zejména při provádění řezů s maximálním úhlem pro pokosový nebo šikmý řez.

- Zadní chránič proti překlopení je pevně upevněn k základně stroje a nelze ho nastavit.
- Otáčejte předním chráničem proti překlopení (37) směrem dovnitř nebo ven, jak ukazuje obrázek F, dokud nebude elektrické nářadí stát rovně na pracovní ploše.

Kontrola ochranného krytu (obr. A)

Zasunovací ochranný kryt (5) chrání před náhodným kontaktem s pilovým kotoučem a před odlétávajícími pilinami. Před použitím pily musí zkontrolována správná funkce ochranného krytu pilového kotouče. Při tomto úkonu stáhněte dolů rukojeť (2) a zkontrolujte následující:

- Zasunovací ochranný kryt (5) musí umožňovat přístup k pilovému kotouči (6), aniž by docházelo ke kontaktu s jinými díly.
- Je-li pila vyklápěna nahoru do výchozí polohy, zasunovací ochranný kryt (5) musí automaticky zakrýt celý pilový kotouč (6).

Výměna pilového kotouče (obr. G)

Před prováděním jakékoliv práce na tomto stroji odpojte zástrčku jeho napájecího kabelu od síťové zásuvky.



Při manipulaci s pilovým kotoučem používejte rukavice. Nebezpečí zranění při kontaktu s pilovým kotoučem.



Používejte pouze pilové kotouče, které vyhovují specifikacím uvedeným v tomto návodu. Používejte pouze takové pilové kotouče, které jsou označeny otáčkami stejnými nebo vyššími, než jsou otáčky uvedené na stroji.



Za žádných okolností nepoužívejte brusné kotouče jako řezný nástroj.

Před výměnou pilového kotouče vám zásadně doporučujeme nastavit úhel šikmého i pokosového řezu na hodnotu 0°. V jiném případě by došlo k omezení přístupu.

Sejmutí pilového kotouče

1. Zajistěte pilu v horní poloze pomocí zajišťovacího kolíku polohy (38);
2. Povolte přídržný šroub (40) pomocí šroubováku Phillips, jak ukazuje obrázek G1. VAROVÁNÍ! Přídržný šroub (40) zcela neodstraňujte, jen jej povolte.
3. Naklopte zasouvací ochranný kryt (5) nahoru tak, aby byl zcela zpřístupněn upínací šroub (42), jak ukazuje obrázek G2;
4. Zasuňte šestihřanný klíč do upínacího šroubu (42). Zasouvací ochranný kryt (5) lze uvolnit, naklopí se na šestihřanný klíč.
5. Upínacím šroubem (42) otáčejte pomocí šestihřanného klíče (34) a současně stiskněte zajištění hřídele (43) tak, aby se zajistilo.
6. Pevně držte zajištění hřídele (43) a povolte upínací šroub (42) jeho otáčením ve směru pohybu hodinových ručiček (levý závit).
7. Sejměte upínací šroub (42) a upínací přírubu (41). Potom lze vyjmout pilový kotouč (6).

Montáž pilového kotouče

Při montáži pilového kotouče dbejte na to, aby směr řezání zubů (šipka na pilovém kotouči) souhlasil se směrem šipky na ochranném krytu (4).



Při montáži pilového kotouče (6) zkontrolujte jeho volné otáčení ve vložce (13) při nastaveném úhlu 0° i 45°.

1. Očistěte pilový kotouč a všechny upínací části, které budete potřebovat.
2. Povolte přídržný šroub (40) pomocí šroubováku Phillips, jak ukazuje obrázek G1. VAROVÁNÍ! Přídržný šroub (40) zcela neodstraňujte, jen jej povolte.
3. Naklopte zasouvací ochranný kryt (5) nahoru tak, aby byl zcela zpřístupněn upínací šroub (42), jak ukazuje obrázek G2;
4. Zasuňte šestihřanný klíč do upínacího šroubu (42). Zasouvací ochranný kryt (5) lze uvolnit, naklopí se na šestihřanný klíč.
5. Namontujte upínací přírubu (41). Zajistěte, aby boční plošky upínací příruby odpovídaly bočním ploškám na hřídeli nářadí. Zkontrolujte také, zda je vypouklá strana upínací příruby po namontování otočena směrem ven.
6. Namontujte upínací šroub (42) a otáčejte jím pomocí šestihřanného klíče a současně stiskněte zajištění hřídele (43) tak, aby se zajistilo.
7. Pevně držte zajištění hřídele (43) a utáhněte upínací šroub (42) jeho otáčením proti směru pohybu hodinových ručiček.

Odsávání prachu (obr. A, B, W, X)

Zajistěte dobré větrání na pracovišti.



Používejte ochranu proti prachu.

Prach z materiálů, jako jsou nátěry obsahující olovo a některé typy dřeva, může způsobit zdravotní problémy. Vdechování takového prachu může způsobit alergické reakce anebo respirační onemocnění uživatele nebo osob v blízkém okolí. Určité typy prachů, například prach z dubového nebo bukového dřeva, jsou klasifikovány jako karcinogenní, a to zejména ve spojení s přísadami pro ošetřování dřeva (chromáty, prostředky na ochranu dřeva). Důrazně doporučujeme používat systém pro odsávání prachu, který je vhodný pro příslušný materiál, kdykoli je to možné.



Zabraňte hromadění prachu na pracovišti. Prach se může snadno vznítit.

System pro odsávání prachu může být zablokovaný prachem, pilinami nebo fragmenty obroku. A proto musí být pravidelně čištěn. Postupujte následovně:

1. Odpojte zástrčku napájecího kabelu od síťové zásuvky.
2. Počkejte, dokud se pilový kotouč zcela nezastaví.
3. Je-li to nutné, odstraňte všechny překážky

Montáž vaku na prach (obr. W)

Stiskněte příchytka vaku na prach (26) a nasuňte tento vak na otvor pro odvod prachu (28) nacházející se na zadní části pily. Po uvolnění příchytky zůstane vak na prach na určeném místě.

Připojení odsávacího zařízení (obr. X)



Zařízení pro odsávání prachu musí být vhodné pro řezání materiál.



Provádíte-li odsávání prachu, který je zdravotně velmi škodlivý nebo který je karcinogenní, použijte speciální odsávání prachu.

Hadice vysavače může být připojena k otvoru pro odvod prachu (28). Při této činnosti jednoduše připojte hadici odsávání k otvoru pro odvod prachu.

4. POUŽITÍ



Před zapnutím této pily vždy zkontrolujte, zda je správně upnutý pilový kotouč. Pilový kotouč se musí plynule otáčet.



Před použitím této pily vždy zkontrolujte ochranné kryty.



U všech řezů se musíte vždy nejdříve ujistit, zda se pilový kotouč nikdy nedostane do kontaktu s vodítkem, se svorkou obroku nebo s jinou částí této pily. Odstraňte všechny namontované doplňkové dorazy nebo je správně nastavte.

Podepření obroku (obr. H)

Obrobky musí být vždy řádně podepřeny. Prodloužení stolu (10) mohou být vysunuta vpravo nebo vlevo, aby umožnila podepření obroku. Postupujte následovně:

1. Povolte upínací šroub prodloužení stolu (34);
2. Nastavte prodloužení stolu (10) do požadované polohy;
3. Utáhněte upínací šroub prodloužení stolu (34).

Při řezání velmi dlouhých obrobků musí být volný konec takového obrobku opatřen doplňkovým stojanem nebo musí být řádně podepřen.

Upnutí obroku (obr. H)

Obrobky musí být vždy pevně upnuty. Svorka obroku (21) může být umístěna na levé nebo pravé straně obroku. Postupujte následovně:

1. Ujistěte se, že je obrobek pevně přitisknut k vodítku (9);
2. Zasuňte dodávanou svorku obroku (21) do jednoho z otvorů určených pro tento účel, jak ukazuje obrázek H;
3. Nastavte závitovou tyč svorky obroku (21) na výšku obroku;
4. Utáhněte pevně závitovou tyč svorky obroku (21), aby došlo k řádnému upevnění obroku. Chcete-li obrobek uvolnit, jednoduše povolte závitovou tyč svorky obroku (21).

Upínací šroub svorky obroku (44) může být použit pro rychlejší nastavení výšky svorky obroku (21). Po nastavení výšky vždy pevně utáhněte závitovou tyč svorky obroku (21), aby došlo k řádnému upevnění obroku.

Nastavení vodítka (obr. H)



Vždy nastavte vodítka podle specifického typu řezu.

Při provádění pokosových anebo šikmých řezů musíte vždy přesunout nastavitelné vodítka (7) v závislosti na směru řezu. Tímto způsobem bude řezaný obrobek vždy řádně podepřen vodítkem v každé situaci. Postupujte následovně:

1. Povolte upínací šroub nastavitelného vodítka (35);
2. Nastavte vodítka podle požadovaného řezu. Při pokosových nebo přímých řezech musí být vodítka nastavena dovnitř směrem k pilovému kotouči (maximálně 8 mm), aniž by se jej dotýkalo. Při šikmých řezech musí být vodítka nastavena směrem od pilového kotouče (maximálně 8 mm), aniž by se jej dotýkalo;
3. Utáhněte upínací šroub nastavitelného vodítka (35);
4. Chcete-li zajistit, aby se pilový kotouč nedostal do kontaktu s nastavitelným vodítkem (35), doporučujeme vám, abyste provedli zkušební pohyb pilového kotouče, aniž by byla pila zapnuta.

Nastavení úhlu pokosového řezu (obr. A)

Úhel pokosového řezu může být nastaven v rozsahu od 45° vlevo do 45° vpravo. Pro rychlé a přesné nastavení běžně používaných úhlů pokosových řezů jsou na stole této pily přednastavené dorazy pro úhly 0°, 15°, 22,5°, 30° a 45°.

Nastavení úhlu pokosového řezu na přednastavenou hodnotu:

1. Povolte upínací šroub pro nastavení pokosu (14);
2. Vytáhněte páku pro nastavení pokosového řezu (15) a otočte stůl (11) vlevo nebo vpravo do přednastavené polohy. Úhel řezu můžete odečíst na měřítku úhlu pokosového řezu (16) pomocí indikátoru úhlu pokosového řezu (17).
3. Uvolněte tuto páku. Musíte cítit, že došlo k usazení této páky na dorazu přednastaveného úhlu.
4. Utáhněte upínací šroub pro nastavení pokosu (14).

Nastavení úhlu pokosového řezu na jakoukoli požadovanou hodnotu:

1. Povolte upínací šroub pro nastavení pokosu (14);
2. Vytáhněte páku pro nastavení pokosového řezu (15) a otočte stůl (11) vlevo nebo vpravo do požadované polohy. Úhel řezu můžete odečíst na měřítku úhlu pokosového řezu (16) pomocí indikátoru úhlu pokosového řezu (17).
3. Uvolněte páku a utáhněte upínací šroub pro nastavení pokosu (14).

Nastavení úhlu šikmého řezu (obr. A, B)

Úhel šikmého řezu může být nastaven v rozmezí od 0° do +45° vlevo. Postupujte následovně:

1. Povolte upínací šroub pro nastavení šikmých řezů (22);
2. Naklánějte pilu pomocí rukojeti (2), dokud nebude indikátor (19) na měřítku úhlu šikmých řezů (20) ukazovat požadovanou hodnotu;
3. Utáhněte upínací šroub pro nastavení šikmých řezů (22).

Zapnutí a vypnutí nářadí (obr. A)

- Chcete-li stroj zapnout, podržte stisknuté uvolňovací tlačítko (1), aby se odemknul ochranný kryt, a stiskněte vypínač (3).
- Chcete-li nářadí vypnout, uvolněte vypínač (3).

Provádění příčného řezu (obr. I, J)

Při provádění řezů napříč růstu vláken dřeva postupujte podle těchto kroků:

1. Nastavte úhel pokosového a šikmého řezu na hodnotu 0°;
2. Umístěte nastavitelné vodítko do vnitřní polohy směrem k pilovému kotouči. Maximální vzdálenost mezi nastavitelným vodítkem (35) a pilovým kotoučem (6) je 8 mm, jak ukazuje obrázek J. Ujistěte se, zda se vodítko nedotýká pilového kotouče.
3. Pevně upněte obrobek;
4. Zapněte nářadí. Ujistěte se, že pilový kotouč dosáhl maximálních otáček;
5. Nyní začněte pomalu spouštět rukojeť tak, aby pilový kotouč mohl prořezat obrobek a aby vnikl do drážky vložky stolu. Nevývíjejte na pilu příliš velký tlak a nechejte ji pracovat vlastním tempem;
6. Znovu nastavte rukojeť do horní polohy a vypněte pilu uvolněním spínače.

Provádění pokosového řezu (obr. J, K)

Při provádění řezů šikmo vzhledem k čelu obrobku postupujte podle těchto kroků:

1. Nastavte úhel pokosového řezu na požadovanou hodnotu a úhel šikmého řezu na hodnotu 0°;
2. Umístěte nastavitelné vodítko do vnitřní polohy směrem k pilovému kotouči. Maximální vzdálenost mezi nastavitelným vodítkem (35) a pilovým kotoučem (6) je 8 mm, jak ukazuje obrázek J. Ujistěte se, zda se vodítko nedotýká pilového kotouče.
3. Pevně upněte obrobek;
4. Zapněte nářadí. Ujistěte se, že pilový kotouč dosáhl maximálních otáček;
5. Nyní začněte pomalu spouštět rukojeť tak, aby pilový kotouč mohl prořezat obrobek a aby vnikl do drážky vložky stolu. Nevývíjejte na pilu příliš velký tlak a nechejte ji pracovat vlastním tempem;
6. Znovu nastavte rukojeť do horní polohy a vypněte pilu uvolněním spínače.

Provádění šikmého řezu (obr. L, M)

Při provádění řezů šikmo vzhledem k podélné hraně obrobku postupujte podle následujících kroků:

1. Nastavte úhel pokosového řezu na hodnotu 0° a úhel šikmého řezu na požadovaný úhel;
2. Umístěte nastavitelné vodítko do vnější polohy směrem od pilového kotouče. Maximální vzdálenost mezi nastavitelným vodítkem (35) a pilovým kotoučem (6) je 8 mm, jak ukazuje obrázek M. Ujistěte se, zda se vodítko nedotýká pilového kotouče.

3. Pevně upněte obrobek. Ujistěte se, zda je svorka obrobku umístěna na pravé straně;
4. Zapněte nářadí. Ujistěte se, že pilový kotouč dosáhl maximálních otáček;
5. Nyní začněte pomalu spouštět rukojeť tak, aby pilový kotouč mohl prořezat obrobek a aby vnikl do drážky vložky stolu. Nevytvíjejte na pilu příliš velký tlak a nechte ji pracovat vlastním tempem;
6. Znovu nastavte rukojeť do horní polohy a vypněte pilu uvolněním spínače.

Provádění kombinovaného řezu (obr. M, N)

Při provádění kombinovaného pokosového a šikmého řezu postupujte podle těchto kroků:

1. Nastavte úhel pokosového řezu a úhel šikmého řezu na požadované úhly;
2. Umístěte nastavitelné vodítko do vnější polohy směrem od pilového kotouče. Maximální vzdálenost mezi nastavitelným vodítkem (35) a pilovým kotoučem (6) je 8 mm, jak ukazuje obrázek M. Ujistěte se, zda se vodítko nedotýká pilového kotouče.
3. Pevně upněte obrobek. Ujistěte se, zda je svorka obrobku umístěna na pravé straně;
4. Zapněte nářadí. Ujistěte se, že pilový kotouč dosáhl maximálních otáček;
5. Nyní začněte pomalu spouštět rukojeť tak, aby pilový kotouč mohl prořezat obrobek a aby vnikl do drážky vložky stolu. Nevytvíjejte na pilu příliš velký tlak a nechte ji pracovat vlastním tempem;
6. Znovu nastavte rukojeť do horní polohy a vypněte pilu uvolněním spínače.

Použití posuvné funkce

Pro práci s velmi širokými obrobky je tato pila vybavena posuvnou funkcí. Budete-li používat tuto posuvnou funkci, ujistěte se, zda je uvolněn upínací šroub pro vodicí tyče (29). Odtahujte rukojeť (2) směrem od vodítka (9), dokud pilový kotouč nebude před obrobkem. Pomocí rukojeti spouštějte rameno pily pomalu směrem dolů a potom tlačte rukojeť (2) směrem k vodítku (9) a provádějte řez přes obrobek rovnoměrným posuvem.

Při práci s malými obrobky můžete posuvnou funkci zajistit v zadní poloze pily pomocí upínacího šroubu pro vodicí tyče (29). Potřebujete-li pracovat s větší šířkou obrobku, potom musíte upínací šroub pro vodicí tyče (29) uvolnit.

Použití délkového dorazu (obr. O)

Délkový doraz (8) na levém a pravém prodloužení stolu (10) lze použít pro snadné řezání kusů na stejnou délku.

1. Přesuňte délkový doraz (8) směrem nahoru;
2. Povolte upínací šroub prodloužení stolu (34);
3. Nastavte prodloužení stolu (10) na požadovanou délku.
4. Utáhněte upínací šroub prodloužení stolu (34).

Nastavení hloubkového dorazu (obr. P)

Tento hloubkový doraz může být nastaven tak, aby omezoval hloubku řezu. To může být využito pro snadné řezání drážky. Postupujte následovně:

1. Povolte rýhovanou matici pro nastavení hloubky (45);
2. Nastavte šroub pro nastavení hloubky (24) na požadovanou hloubku řezu;
3. Utáhněte rýhovanou matici pro nastavení hloubky (45).

Zapnutí a vypnutí laseru (obr. B)

Stiskněte spínač laseru (46), aby došlo k jeho zapnutí nebo vypnutí. Spínač laseru (46) zapíná také pracovní LED svítivnu.

Jemné nastavení



Před prováděním jakéhokoli nastavení odpojte zástrčku napájecího kabelu od síťové zásuvky.

Chcete-li zajistit přesné řezy, před prvním použitím po náročném použití pily musí být zkontrolováno a seřízeno základní nastavení pily. Pro tento úkon je vyžadováno speciální nářadí. Poprodejní servis Vonroc pomůže zvládnout tuto práci rychle a spolehlivě.

Jemné nastavení laseru (obr. Q)

Poznámka: Chcete-li vyzkoušet funkci laseru, nářadí musí být připojeno k elektrickému napájení.



Při nastavování laseru (například při manipulaci s ramenem nářadí) nikdy neaktivujte vypínač. Náhodné spuštění elektrického nářadí může vést k způsobení zranění.

Přestane-li laser (18) správně ukazovat čáru řezu, můžete laser znovu nastavit. Postupujte následovně:

1. Povolte seřizovací šrouby laseru (48) a nastavte laser tak, aby laserový paprsek dopadal na zuby pilového kotouče (6);
2. Utáhněte šrouby pro nastavení laseru (48).

Jemné nastavení úhlu šikmého řezu 0° (obr. R, S)

1. Nastavte úhel pokosového a šikmého řezu na hodnotu 0°;
2. Stlačte dolů rukojeť (2) a zajistěte ji pomocí zajišťovacího kolíku polohy (38);
3. Zablokujte kluzný pohyb pomocí upínacího šroubu pro vodící tyče (29);
4. Nastavte ukazatel úhlu na hodnotu 90° a položte jej na stůl pily (11), jak je ukazuje obrázek S. Část ukazatele úhlu u pilového kotouče musí být s tímto pilovým kotoučem (6) srovnána po celé jeho délce;
5. Povolte pojistnou matici (50) pro úhel šikmého řezu 0°;
6. Nastavujte dorazový šroub pro úhel šikmého řezu 0° (32), dokud část ukazatele úhlu u pilového kotouče nebude srovnána s tímto pilovým kotoučem po celé jeho délce;
7. Znovu utáhněte pojistnou matici (50) pro úhel šikmého řezu 0°.

Následně zkontrolujte polohu indikátoru úhlu (19). Je-li to nutné, uvolněte ukazatel pomocí šroubováku Phillips, nastavte ukazatel na měřítku úhlu šikmého řezu (20) na polohu 0° a znovu utáhněte upínací šroub.

Jemné nastavení úhlu šikmého řezu 45° (obr. R, T)

1. Nastavte úhel pokosového a šikmého řezu na hodnotu 45°;
2. Stlačte dolů rukojeť (2) a zajistěte ji pomocí zajišťovacího kolíku polohy (38);
3. Zablokujte kluzný pohyb pomocí upínacího šroubu pro vodící tyče (29);
4. Nastavte ukazatel úhlu na hodnotu 90° a položte jej na stůl pily (11), jak ukazuje obrázek T. Část ukazatele úhlu u pilového kotouče musí být s tímto pilovým kotoučem (6) srovnána po celé jeho délce;
5. Povolte pojistnou matici (49) pro úhel šikmého řezu 45°;
6. Nastavujte dorazový šroub pro úhel šikmého řezu 45° (31), dokud část ukazatele úhlu u pilového kotouče nebude srovnána s tímto pilovým kotoučem po celé jeho délce;

vého kotouče nebude srovnána s tímto pilovým kotoučem po celé jeho délce;

7. Znovu utáhněte pojistnou matici (49) pro úhel šikmého řezu 45°.

Následně zkontrolujte polohu indikátoru úhlu (19). Je-li to nutné, uvolněte ukazatel pomocí šroubováku Phillips, nastavte ukazatel na měřítku úhlu šikmého řezu (20) na polohu 45° a znovu utáhněte upínací šroub.

Jemné nastavení úhlu pokosového řezu 0° (obr. U, V)

1. Nastavte ukazatel úhlu na hodnotu 0° a položte jej na stůl pily (11). Umístěte tento ukazatel mezi vodítko (9) a pilový kotouč (6);
2. Část ukazatele úhlu u pilového kotouče musí být s tímto pilovým kotoučem (6) srovnána po celé jeho délce;
3. Povolte upínací šrouby nastavitelného vodítka (35) a poté povolte pojistné šrouby nastavitelného vodítka (36).
4. Odsuňte levé i pravé nastavitelné vodítko (7), abyste odkryli šrouby vodítka (51).
5. Povolte všechny čtyři šrouby (51) a nastavujte vodítko (9), dokud část ukazatele úhlu u pilového kotouče nebude srovnána s tímto pilovým kotoučem po celé jeho délce;
6. Znovu utáhněte všechny čtyři šrouby vodítka (51). Následně zkontrolujte polohu indikátoru úhlu (17). Je-li to nutné, uvolněte tento ukazatel pomocí šroubováku Phillips, nastavte ukazatel na měřítku úhlu pokosového řezu (16) na hodnotu 0° a znovu utáhněte upínací šroub.
7. Namontujte levé i pravé nastavitelné vodítko (7).
8. Utáhněte upínací šrouby nastavitelného vodítka (35) a poté utáhněte pojistné šrouby nastavitelného vodítka (36).

5. ÚDRŽBA



Provádíte-li na mechanismu jakékoliv úkony údržby, vždy se ujistěte, zda není tato pila připojena k elektrické síti.

Pravidelně čistěte kryt zařízení jemným hadříkem, ideálně po každém použití. Ujistěte se, že nejsou větrací otvory zaneseny prachem ani jinými nečistotami. Odolnější nečistoty odstraňte pomocí jemného hadříku navlčeného v mýdlové pěně. Nepoužívejte žádná rozpouštědla, jako jsou benzín,

líh, čpavek atd. Takové chemické látky mohou způsobit poškození dílů z umělé hmoty.

Čištění ochranných krytů

Před použitím této pily vždy zkontrolujte ochranný kryt (4) a zasunovací ochranný kryt (5), zda nejsou znečištěny. Odstraňte nahromaděný prach a piliny pomocí kartáče nebo jiného podobného nástroje.

Výměna vložky stolu



Poškozené vložky stolu okamžitě vyměňte.

Je-li vložka stolu (13) poškozena, hrozí riziko uváznutí malých kousků materiálu mezi vložkou stolu a pilovým kotoučem, což způsobí zablokování tohoto pilového kotouče. Provedení výměny vložky stolu:

1. Vyšroubujte šrouby vložky stolu pomocí šroubováku Phillips. Je-li to nutné, nastavte vhodný úhel pokosového a šikmého řezu, abyste získali přístup k těmto šroubům;
2. Vyjměte vložku stolu;
3. Vložte do pily novou vložku stolu;
4. Utáhněte šrouby pomocí šroubováku Phillips.

Vodící tyče

Nečistoty mohou způsobit poškození povrchu vodících tyčí (25) a následné problémy s použitím pily.

- Pravidelně čistěte vodící tyče měkkým hadříkem;
- Kápněte na vodící tyče několik kapek mazacího oleje;
- Pohybujte pokosovou pilou dopředu a dozadu tak, aby došlo k pokrytí celého povrchu vodících tyčí olejem.

OCHRANA ŽIVOTNÍHO PROSTŘEDÍ



Poškozená a likvidovaná elektrická nebo elektronická zařízení musí být odevzdána ve sběrných dvorech, které jsou určeny pro tento účel.

Pouze pro země EU

Nevyhazujte elektrická nářadí do běžného domácího odpadu. Podle evropské směrnice 2012/19/EU týkající se likvidace elektrických a elektronických zařízení a její implementace do vnitrostátního práva, musí být nepoužívaná elektrická nářadí shromažďována odděleně a jejich likvidace musí být provedena tak, aby nedošlo k ohrožení životního prostředí.

ZÁRUKA

Výrobky VONROC jsou vyvíjeny v souladu s požadavky norem na nejvyšší kvalitu a je zaručeno, že po dobu platné záruky, která začíná běžet dnem původního nákupu, nebudou na těchto výrobcích žádné vady materiálu, ani vady způsobené špatným dílenským zpracováním. Dojde-li během tohoto období k závadě v důsledku vady materiálu nebo dílenského zpracování, kontaktujte přímo firmu VONROC.

Z této záruky jsou vyloučeny následující případy:

- Opravy nebo úpravy tohoto zařízení byly provedeny nebo byly provedeny pokusy o jejich provedení v neautorizovaných servisech;
- Běžné opotřebování;
- Toto zařízení bylo nesprávně použito, nevhodně použito nebo nebyla prováděna jeho správná údržba;
- Byly použity neoriginální náhradní díly.

Výše uvedené představuje jedinou záruku poskytovanou společností, ať už výslovnou nebo předpokládanou. Neexistují žádné další záruky, výslovné ani předpokládané, které přesahují rámec zde uvedeného, včetně předpokládaných záruk prodejnosti a vhodnosti pro určitý účel. VONROC v žádném případě neodpovídá za jakékoliv náhodné ani následné škody. Opravné prostředky prodejců se omezují výhradně na opravu nebo výměnu nevyhovujících jednotek nebo dílů.

Na tomto výrobku a v tomto návodu mohou být prováděny změny. Specifikace mohou být změněny bez dalšího upozornění.



DECLARATION OF CONFORMITY MS504AC - COMPACT SLIDING MITRE SAW

- (EN) We declare under our sole responsibility that this product is in conformity with directive 2011/65/EU of the European parliament and of the council of 8 June on the restriction of the use of certain hazardous substances in electrical and electronic equipment is in conformity and accordance with the following standards and regulations:
- (DE) Der Hersteller erklärt eigenverantwortlich, dass dieses Produkt der Direktive 2011/65/ EU des Europäischen Parlaments und des Rats vom 8. Juni 2011 über die Einschränkung der Anwendung von bestimmten gefährlichen Stoffen in elektrischen und elektronischen Geräten entspricht, den folgenden Standards und Vorschriften entspricht:
- (NL) Wij verklaren onder onze volledige verantwoordelijkheid dat dit product voldoet aan de conform Richtlijn 2011/65/EU van het Europees Parlement en de Raad van 8 juni 2011 betreffende beperking van het gebruik van bepaalde gevaarlijke stoffen in elektrische en elektronische apparatuur en in overeenstemming is met de volgende standaarden en reguleringen:
- (FR) Nous déclarons sous notre seule responsabilité que ce produit est conforme aux standards et directives suivants: est conforme à la Directive 2011/65/EU du Parlement Européen et du Conseil du 8 juin 2011 concernant la limitation d'usage de certaines substances dangereuses dans l'équipement électrique et électronique.
- (ES) Declaramos bajo nuestra exclusiva responsabilidad que este producto cumple con las siguientes normas y estándares de funcionamiento: se encuentra conforme con la Directiva 2011/65/UE del Parlamento Europeo y del Consejo de 8 de junio de 2011 sobre la restricción del uso de determinadas sustancias peligrosas en los equipos eléctricos y electrónicos.
- (IT) Dichiariamo, sotto la nostra responsabilità, che questo prodotto è conforme alle normative e ai regolamenti seguenti: è conforme alla Direttiva 2011/65/UE del Parlamento Europeo e del Consiglio dell'8 giugno 2011 sulla limitazione dell'uso di determinate sostanze pericolose nelle apparecchiature elettriche ed elettroniche.
- (SV) Vi försäkrar under vårt eget ansvar att denna produkt överensstämmer med Europaparlamentets och -rådets direktiv 2011/65/EU från den 8 juni om begränsning av användningen av vissa farliga ämnen i elektrisk och elektronisk utrustning och är i överensstämmelse och enlighet med följande standarder och föreskrifter:
- (DA) Vi erklærer under eget ansvar, at dette produkt er i overensstemmelse med Europa-Parlamentets og Rådets direktiv 2011/65/EU af 8. juni om begrænsning af brugen af visse farlige stoffer i elektrisk og elektronisk udstyr, og at det er i overensstemmelse med følgende standarder og regler:
- (PL) Deklarujemy na własną odpowiedzialność, że ten produkt spełnia wymogi zawarte w następujących normach i przepisach: jest zgodny z Dyrektywą 2011/65/UE Parlamentu Europejskiego i Rady z dnia 8 czerwca 2011 r. w sprawie ograniczenia stosowania niektórych niebezpiecznych substancji w sprzęcie elektrycznym i elektronicznym.
- (RO) Declarăm sub responsabilitatea exclusivă că acest produs este în conformitate cu Directiva 2011/65/UE a Parlamentului și a Consiliului European din 8 iunie privind restricționarea utilizării anumitor substanțe periculoase în echipamentele electrice și electronice și în conformitate cu următoarele standarde și reglementări:
- (PT) Declaramos, sob nossa exclusiva responsabilidade, que este produto está em conformidade com a directiva 2011/65/UE do Parlamento Europeu e com a directiva do conselho de 8 de Junho sobre a restrição da utilização de determinadas substâncias perigosas em equipamento eléctrico e electrónico está em conformidade e de acordo com as seguintes normas e regulamentações:
- (HU) Kizárólagos felelősségünk tudatában kijelentjük, hogy a termék megfelel az Európai Parlamentnek és a Tanácsnak az egyes veszélyes anyagok elektromos és elektronikus berendezéseken való alkalmazásának korlátozásáról szóló 2011/65/EU irányelvének (június 8.), valamint a következő szabványoknak és jogszabályoknak:
- (CZ) Prohlašujeme na svou výhradní odpovědnost, že tento výrobek splňuje požadavky směrnice 2011/65/EU Evropské rady a parlamentu ze dne 8. června, která se týká omezení používání určitých nebezpečných látek v elektrických a elektronických zařízeních, a splňuje také všechny požadavky následujících norem a předpisů:

EN62841-1, EN62841-3-9, EN55014-1, EN55014-2, EN61000-3-2, EN61000-3-11, EN60825-1, 2006/42/EC, 2014/30/EU, 2011/65/EU, 2012/19/EU

Zwolle, 01-09-2022

H.G.F Rosberg
CEO

VONROC • Lingenstraat 6 • 8028

PM Zwolle • The Netherlands



VONROC®
BUILD YOUR FUTURE

©2022 VONROC
WWW.VONROC.COM

2209-15