



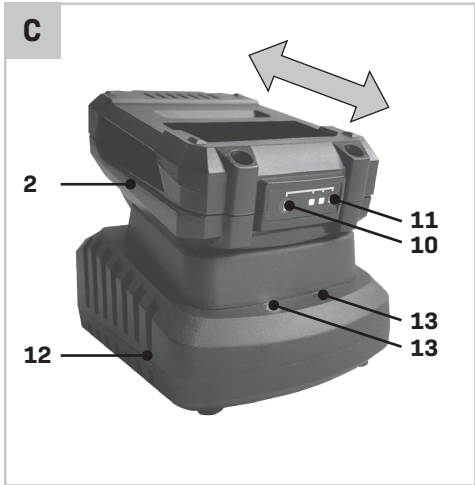
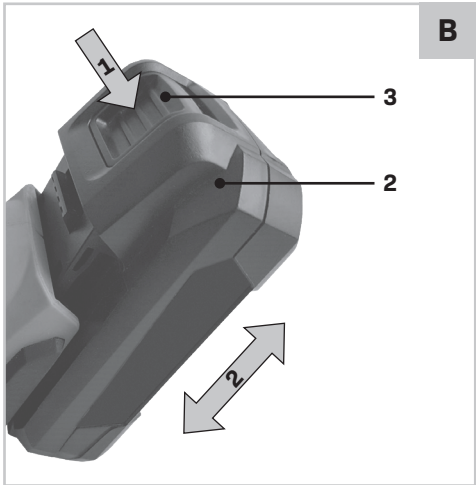
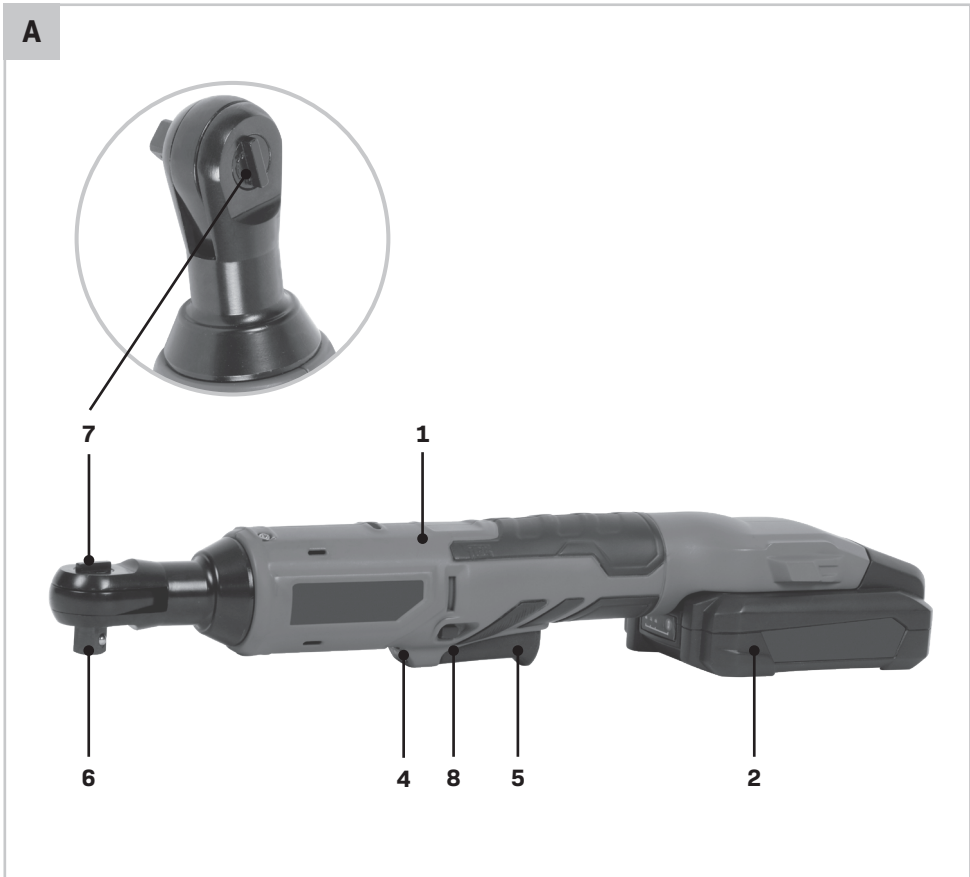
**VONROC®**

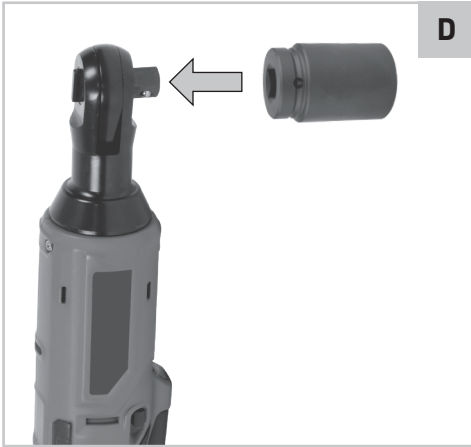
BUILD YOUR FUTURE

**CORDLESS RATCHET WRENCH 20V  
RW501DC / S\_RW501DC  
S2\_RW501DC / S3\_RW501DC**



<b>EN</b>	Original Instructions	04
<b>DE</b>	Übersetzung Der Originalbetriebsanleitung	10
<b>NL</b>	Vertaling van de oorspronkelijke gebruiksaanwijzing	17
<b>FR</b>	Traduction de la notice originale	24
<b>ES</b>	Traducción del manual original	31
<b>IT</b>	Traduzione delle istruzioni originali	38
<b>SV</b>	Översättning av bruksanvisning i original	45
<b>DA</b>	Oversættelse af den originale brugsanvisning	51
<b>PL</b>	Tłumaczenie instrukcji oryginalnej	57
<b>RO</b>	Traducere a instrucțiunilor originale	64
<b>PT</b>	Tradução do manual original	71
<b>HU</b>	Eredeti használati utasítás fordítása	78
<b>CS</b>	Překlad původního návodu k používání	85





## 1. SAFETY INSTRUCTIONS

Read the enclosed safety warnings, the additional safety warnings and the instructions. Failure to follow the safety warnings and the instructions may result in electric shock, fire and/or serious injury. Save the safety warnings and the instructions for future reference.

The following symbols are used in the user manual or on the product:



Read the user manual.



Denotes risk of personal injury, loss of life or damage to the tool in case of nonobservance of the instructions in this manual.



Risk of electric shock.



Variable electronic speed.



Do not use in rain.



Indoor use only.



Class II machine - Double insulation – You don't need any earthed plug.



Time-lag miniature fuse-link.



Max temperature 45°C.



Do not throw the battery into fire.



Do not throw the battery into water.



Wear eye protection.



Wear hearing protection.



Do not dispose of the product in unsuitable containers.



Separate collection for Li-ion battery.



The product is in accordance with the applicable safety standards in the European directives.

## GENERAL POWER TOOL SAFETY WARNINGS



**WARNING! Read all safety warnings and all instructions.** Failure to follow the warnings and instructions may result in electric shock, fire and/or serious injury.

### Save all warnings and instructions for future reference.

The term “power tool” in the warnings refers to your mains-operated (corded) power tool or battery-operated (cordless) power tool.

#### 1) Work area safety

- a) **Keep the work area clean and well lit.** Cluttered or dark areas invite accidents.
- b) **Do not operate power tools in explosive atmospheres, such as in the presence of flammable liquids, gases or dust.** Power tools create sparks which may ignite the dust or fumes.
- c) **Keep children and bystanders away while operating a power tool.** Distractions can cause you to lose control.

#### 2) Electrical safety

- a) **Power tool plugs must match the outlet. Never modify the plug in any way. Do not use any adapter plugs with earthed (grounded) power tools.** Unmodified plugs and matching outlets will reduce risk of electric shock.
- b) **Avoid body contact with earthed or grounded surfaces, such as pipes, radiators, ranges and refrigerators.** There is an increased risk of electric shock if your body is earthed or grounded.
- c) **Do not expose power tools to rain or wet conditions.** Water entering a power tool will increase the risk of electric shock.
- d) **Do not abuse the cord. Never use the cord for carrying, pulling or unplugging the power tool. Keep cord away from heat, oil, sharp edges or moving parts.** Damaged or entangled cords increase the risk of electric shock.
- e) **When operating a power tool outdoors, use an extension cord suitable for outdoor use.** Use of a cord suitable for outdoor use reduces the risk of electric shock.
- f) **If operating a power tool in a damp location is unavoidable, use a residual current device (RCD) protected supply.** Use of an RCD reduces the risk of electric shock.

### 3) Personal safety

- a) **Stay alert, watch what you are doing and use common sense when operating a power tool. Do not use a power tool while you are tired or under the influence of drugs, alcohol or medication.**

A moment of inattention while operating power tools may result in serious personal injury.

- b) **Use personal protective equipment. Always wear eye protection.** Protective equipment such as dust mask, non-skid safety shoes, hard hat, or hearing protection used for appropriate conditions will reduce personal injuries.
- c) **Prevent unintentional starting. Ensure the switch is in the off-position before connecting to power source and/or battery pack, picking up or carrying the tool.** Carrying power tools with your finger on the switch or energising power tools that have the switch on invites accidents.
- d) **Remove any adjusting key or wrench before turning the power tool on.** A wrench or a key left attached to a rotating part of the power tool may result in personal injury.
- e) **Do not overreach. Keep proper footing and balance at all times.** This enables better control of the power tool in unexpected situations.
- f) **Dress properly. Do not wear loose clothing or jewellery. Keep your hair, clothing and gloves away from moving parts.** Loose clothes, jewellery or long hair can be caught in moving parts.
- g) **If devices are provided for the connection of dust extraction and collection facilities, ensure these are connected and properly used.** Use of dust collection can reduce dust related hazards.
- h) **Do not let familiarity gained from frequent use of tools allow you to become complacent and ignore tool safety principles.** A careless action can cause severe injury within a fraction of a second.

### 4) Power tool use and care

- a) **Do not force the power tool. Use the correct power tool for your application.** The correct power tool will do the job better and safer at the rate for which it was designed.
- b) **Do not use the power tool if the switch does not turn it on and off.** Any power tool that cannot be controlled with the switch is dangerous and must be repaired.
- c) **Disconnect the plug from the power source and/or the battery pack from the power tool before making any adjustments, changing accessories, or storing power tools.** Such preventive safety

measures reduce the risk of starting the power tool accidentally.

- d) **Store idle power tools out of the reach of children and do not allow persons unfamiliar with the power tool or these instructions to operate the power tool.** Power tools are dangerous in the hands of untrained users.
- e) **Maintain power tools. Check for misalignment or binding of moving parts, breakage of parts and any other condition that may affect the power tool's operation. If damaged, have the power tool repaired before use.** Many accidents are caused by poorly maintained power tools.
- f) **Keep cutting tools sharp and clean.** Properly maintained cutting tools with sharp cutting edges are less likely to bind and are easier to control.
- g) **Use the power tool, accessories and tool bits etc. in accordance with these instructions, taking into account the working conditions and the work to be performed.** Use of the power tool for operations different from those intended could result in a hazardous situation.
- h) **Keep handles and grasping surfaces dry, clean and free from oil and grease.** Slippery handles and grasping surfaces do not allow for safe handling and control of the tool in unexpected situations.

### 5) Battery tool use and care

- a) **Recharge only with the charger specified by the manufacturer.** A charger that is suitable for one type of battery pack may create a risk of fire when used with another battery pack.
- b) **Use power tools only with specifically designed battery packs.** Use of any other battery packs may create a risk of injury and fire.
- c) **When battery pack is not in use, keep it away from other metal objects, like paper clips, coins, keys, nails, screws or other small metal objects that can make a connection from one terminal to another.** Shorting the battery terminals together may cause burns or a fire.
- d) **Under abusive conditions, liquid may be ejected from the battery; avoid contact. If contact accidentally occurs, flush with water. If liquid contacts eyes, additionally seek medical help.** Liquid ejected from the battery may cause irritation or burns.
- e) **Do not use a battery pack or tool that is damaged or modified.** Damaged or modified

batteries may exhibit unpredictable behaviour resulting in fire, explosion or risk of injury.

- f) **Do not expose a battery pack or tool to fire or excessive temperature.** Exposure to fire or temperature above 130 °C may cause explosion. NOTE The temperature „130 °C“ can be replaced by the temperature „265 °F“.
- g) **Follow all charging instructions and do not charge the battery pack or tool outside the temperature range specified in the instructions.** Charging improperly or at temperatures outside the specified range may damage the battery and increase the risk of fire.
- 6) **Service**
  - a) **Have your power tool serviced by a qualified repair person using only identical replacement parts.** This will ensure that the safety of the power tool is maintained.
  - b) **Never service damaged battery packs.** Service of battery packs should only be performed by the manufacturer or authorized service providers.
  - c) **If the supply cord of the charger is damaged, it must be replaced by the manufacturer, its service agent or similarly qualified persons in order to avoid a hazard.**

#### ADDITIONAL SAFETY WARNINGS FOR COR- DLESS RATCHET WRENCHES

1. Hold the power tool by insulated gripping surfaces, when performing an operation where the fastener may contact hidden wiring. Fasteners contacting a "live" wire may make exposed metal parts of the power tool "live" and could give the operator an electric shock.
2. Hold the tool firmly.
3. Always be sure you have a firm footing. Be sure no one is below when using the tool in high locations.
4. Wear ear protectors.
5. Check the impact socket carefully for wear, cracks or damage before installation.
6. Keep hands away from rotating parts.
7. Do not touch the ratchet head, impact socket, bolt, nut or the workpiece immediately after long time operation. They may be extremely hot and could burn your skin.

#### SAFETY WARNINGS FOR BATTERY

- a) **Do not open the battery.** Danger of short-circuiting.
- b) **Protect the battery against heat, e. g., against continuous intense sunlight, fire, water, and moisture.** Danger of explosion.
- c) **In case of damage and improper use of the battery, vapours may be emitted. Ventilate the area and seek medical help in case of complaints.** The vapours can irritate the respiratory system.
- d) **Use the battery only in conjunction with your Vonroc product.** This measure alone protects the battery against dangerous overload.
- e) **The battery can be damaged by pointed objects such as nails or screwdrivers or by force applied externally.** An internal short circuit can occur and the battery can burn, smoke, explode or overheat.

#### SAFETY WARNINGS FOR CHARGER

##### Intended use

Charge only CD801AA and CD803AA type rechargeable Battery packs with the charger. Other types of batteries may burst causing personal injury and damage.

- a) **The appliance is not to be used by persons (including children) with reduced physical, sensory or mental capabilities, or lack of experience and knowledge, unless they have been given supervision or instruction.**
- b) **Children being supervised not to play with the appliance.**
- c) **Do not recharging non-rechargeable batteries!**
- d) **During charging, batteries must be placed in the well ventilated area!**

##### Electrical safety



*Always check that the voltage of the power supply corresponds to the voltage on the rating plate.*

- Do not use the machine if the mains cable or the mains plug is damaged.
- Only use extension cables that are suitable for the power rating of the machine with a minimum thickness of 1.5 mm<sup>2</sup>. If you use an extension cable reel, always fully unroll the cable.

## 2. MACHINE INFORMATION

### Intended use

The machine is intended for driving in and loosening screws and bolts as well as for tightening and loosening nuts whilst adhering to the technical data. Main purpose environment is in the automotive sector, for metal construction or roofing work. The device is not intended for drilling.

### TECHNICAL SPECIFICATIONS



*This manual has been drawn up for different sets / article numbers. Check the corresponding article number in below specifications table for the correct composition and contents of your set.*

Model No.	Batteries included	Chargers included
<b>RW501DC</b>	-	-
<b>S_ RW501DC</b>	CD801AA	CD802AA
<b>S2_ RW501DC</b>	2 x CD801AA	CD802AA
<b>S3_ RW501DC</b>	CD803AA	CD802AA

Machine information	
Rated voltage	20V
No load speed	0-260/min
Chuck	3/8" square chuck
Max. torque	50 Nm
Weight	1.2 kg
IP Class	IPX0
Sound pressure level $L_{PA}$	75.2 dB(A) K=3 dB(A)
Sound power level $L_{WA}$	86.2 dB(A), K=3dB(A)
Vibration	2.069 m/s <sup>2</sup> K=1.5 m/s <sup>2</sup>

Model No.	CD801AA
Battery Type	Lithium-Ion
Voltage	20V
Capacity	2.0 Ah
Recommended charger	CD802AA
Weight	0.3 kg

Model No.	CD802AA
Charger input	220-240V, 50Hz 0.4A
Charger output	21V  2.5A
Charging time 2Ah battery	60 minutes
Charging time 4Ah battery	120 minutes
Recommended batteries	CD801AA, CD803AA
Weight	0.36 kg

Model No.	CD803AA
Battery Type	Lithium-Ion
Voltage	20V
Capacity	4.0 Ah
Recommended charger	CD802AA
Weight	0.65 kg

Only use the following batteries of the VONROC VPOWER 20V battery platform. Using any other batteries could cause serious injury or damage the tool.

CD801AA 20V, 2Ah Lithium-Ion  
 CD803AA 20V, 4Ah Lithium-Ion

The following charger of the can be used to charge these batteries.

CD802AA Quick charger

The batteries of the VONROC VPOWER 20V battery platform are interchangeable with all the VONROC VPOWER 20V battery platform tools.

### Vibration level

The vibration emission level stated in this instruction manual has been measured in accordance with a standardized test given in EN 62841; it may be used to compare one tool with another and as a preliminary assessment of exposure to vibration when using the tool for the applications mentioned.

- Using the tool for different applications, or with different or poorly maintained accessories, may significantly increase the exposure level.
- The times when the tool is switched off or when it is running but not actually doing the job, may significantly reduce the exposure level.

Protect yourself against the effects of vibration by maintaining the tool and its accessories, keeping your hands warm, and organizing your work patterns.

## DESCRIPTION

The numbers in the text refer to the diagrams on page 2 - 3.

1. Machine
2. Battery
3. Battery unlock button
4. Work light
5. On / off switch
6. 3/8" (9.5 mm) square chuck
7. Direction switch
9. Lock lever
10. Battery LED indicators button
11. Battery LED indicators
12. Charger
13. Charger LED indicators

## 3. ASSEMBLY



*Before any work on the power tool, remove the battery.*



*The battery must be charged before first use.*

### Inserting the battery into the machine (Fig. B)



*Ensure that the exterior of the battery is clean and dry before connecting to the charger or machine.*

1. Insert the battery (2) into the base of the machine as shown in Fig. B.
2. Push the battery further forward until it clicks into place.

### Removing the battery from the machine (Fig. B)

1. Push the battery unlock button (3).
2. Pull the battery out of the machine like shown in Fig. B.

### Checking the battery charging status (Fig. C)

- To check the battery charge status, push the button (10) on battery shortly.
- The battery has 3 lights indicating the charge level, the more lights that burn, the more charge the battery has left.
- When the lights are not burning it means the battery is empty and must be charged immediately.

### Charging the battery with the charger (Fig. C)

1. Take the battery (2) from the machine.
2. Turn the battery (2) to upside down position and slide it onto the charger (12) as shown in Fig. C.
3. Push the battery until it is fully pushed into the slot.
4. Plug the charger plug into an electrical outlet and wait for a while. The LED indicators on the charger (13) will lighten up and show the charger status.

**The charger has 2 LED indicators (13) which indicate the status of the charging process:**

Red LED Status	Green LED status	Charger status
Off	Off	No power
Off	On	Standby mode: - No battery is inserted or, - Battery inserted but charging has finished
On	Off	Battery charging in progress

- Fully charging the 2Ah battery may take up to 60 minutes.
- Fully charging the 4Ah battery may take up to 120 minutes.

After the battery is fully charged remove the charger plug from the outlet and remove the battery from the charger.



*When the machine is not being used over a longer period of time it is best to store the battery in charged condition.*

### Removing and mounting accessories

- Turn off the machine.
- Remove socket from chuck (6), if there is one.
- Click the new socket on the chuck (6).
- Check if the socket is properly attached.
- To remove the socket, simply pull it off.



## 4. OPERATION

### Switching the machine on and off (Fig. A)

The on/off switch (5) is used for activating the machine and adjusting rotation speed.

- Pressing the on/off switch (5) will activate the machine, the further the switch is being pushed, the faster the drill will turn.
- Releasing the on/off switch (5) will stop the machine.
- To prevent the switch (5) from accidentally being pressed, the lock lever (9) is provided. When the lock lever is in the lock position, the switch cannot be actuated. When the lock lever is in the unlock position, the switch lever can be actuated.



*Only lay down the machine when it has stopped running completely. Do not place it on a dusty surface as particles of dust could get into the mechanism.*

### Adjusting the direction of rotation (Fig. A)

- Set the direction switch (7) to position 'F' in order to drive screws or nuts.
- Set the direction switch (7) to position 'R' in order to remove screws or nuts.

### Work light (Fig. A)

The machine is equipped with a work light (4) to illuminate the work location.

- It automatically switches on when the on/off switch is being pressed.
- It automatically switches off when the on/off switch is released again.

## 5. MAINTENANCE



*Before cleaning and maintenance, always switch off the machine and remove the battery pack from the machine.*

Clean the machine casings regularly with a soft cloth, preferably after each use. Make sure that the ventilation openings are free of dust and dirt. Remove very persistent dirt using a soft cloth moistened with soapsuds. Do not use any solvents such as gasoline, alcohol, ammonia, etc. Chemicals such as these will damage the synthetic components.

## ENVIRONMENT



*Faulty and/or discarded electrical or electronic apparatus have to be collected at the appropriate recycling locations.*

### Only for EC countries

Do not dispose of power tools into domestic waste. According to the European Guideline 2012/19/EC for Waste Electrical and Electronic Equipment and its implementation into national right, power tools that are no longer usable must be collected separately and disposed of in an environmentally friendly way.

## WARRANTY

VONROC products are developed to the highest quality standards and are guaranteed free of defects in both materials and workmanship for the period lawfully stipulated starting from the date of original purchase. Should the product develop any failure during this period due to defective material and/or workmanship then contact VONROC directly.

The following circumstances are excluded from this guarantee:

- Repairs and/or alterations have been made or attempted to the machine by unauthorized service centers;
- Normal wear and tear;
- The tool has been abused, misused or improperly maintained;
- Non-original spare parts have been used.

This constitutes the sole warranty made by company either expressed or implied. There are no other warranties expressed or implied which extend beyond the face hereof, herein, including the implied warranties of merchantability and fitness for a particular purpose. In no event shall VONROC be liable for any incidental or consequential damages. The dealers remedies shall be limited to repair or replacement of nonconforming units or parts.

**The product and the user manual are subject to change. Specifications can be changed without further notice.**

## 1. SICHERHEITSHINWEISE

Lesen Sie die beigefügten Sicherheitswarnungen, die zusätzlichen Sicherheitswarnungen und die Anweisungen. Die Nichteinhaltung der Sicherheitswarnungen und der Anweisungen kann in einem Stromschlag, Brand und/oder in schweren Verletzungen resultieren. Bewahren Sie die Sicherheitswarnungen und Anweisungen für künftige Referenzzwecke auf.

Die folgenden Symbole werden im Benutzerhandbuch oder auf dem Produkt verwendet:



Lesen Sie das Benutzerhandbuch.



Bedeutet, dass bei Nichtbeachtung der Anweisungen in dieser Anleitung Verletzungen, Tod oder Beschädigung des Geräts die Folge sein können.



Stromschlagrisiko.



Elektronische Drehzahlregelung.



Nicht bei Regen verwenden.



Nur für den Innengebrauch.



Werkzeug/Gerät der Schutzklasse II - schutzisoliert – Kein Schutzkontaktanschluss erforderlich.



Zeitverzögerter Miniatur-Sicherungseinsatz.



Maximaltemperatur 45°C.



Werfen Sie den Akku nicht ins Feuer.



Werfen Sie den Akku nicht ins Wasser.



Tragen Sie Augenschutz.



Immer einen Gehörschutz tragen.



Das Produkt nicht in ungeeigneten Behältern entsorgen.



Li-Ionen-Akkus müssen separat entsorgt werden.



Das Produkt entspricht den geltenden Sicherheitsstandards in den europäischen Richtlinien.

## ALLGEMEINE SICHERHEITSHINWEISE FÜR ELEKTROWERKZEUGE



**WARNUNG! Beachten Sie alle Sicherheitswarnungen und Anweisungen.** Die Nichtbeachtung der Warnungen und Anweisungen kann in einem Stromschlag, Brand und/oder in schweren Verletzungen resultieren.

### Bewahren Sie die Warnungen und Anweisungen für künftige Referenzzwecke auf.

Der Begriff „Elektrowerkzeug“ in den Warnhinweisen bezieht sich auf Ihr strombetriebenes (kabelgebundenes) Elektrowerkzeug oder akkubetriebenes (kabelloses) Elektrowerkzeug.

#### 1) Sicherheit am Arbeitsplatz

- Halten Sie den Arbeitsbereich sauber und gut beleuchtet.** Unübersichtliche oder dunkle Bereiche führen eher zu Unfällen.
- Betreiben Sie Elektrowerkzeuge nicht in explosionsgefährdeten Bereichen, z. B. bei Vorhandensein von brennbaren Flüssigkeiten, Gasen oder Staub.** Elektrowerkzeuge erzeugen Funken, die den Staub oder die Dämpfe entzünden können.
- Halten Sie Kinder und Umstehende fern, während Sie Elektrogeräte benutzen.** Ablenkungen können zum Verlust der Kontrolle führen.

#### 2) Elektrische Sicherheit

- Die Stecker von Elektrowerkzeugen müssen zur Steckdose passen. Den Stecker niemals modifizieren. Verwenden Sie bei geerdeten Elektrowerkzeugen keine Adapterstecker.** Nicht modifizierte Stecker und passende Steckdosen reduzieren das Stromschlagrisiko.
- Vermeiden Sie Körperkontakt mit geerdeten Oberflächen, wie Rohren, Heizkörpern, Herden und Kühlschränken.** Es besteht ein erhöhtes Stromschlagrisiko, wenn Ihr Körper geerdet ist.
- Setzen Sie Elektrowerkzeuge keinem Regen oder feuchten Bedingungen aus.** Wenn Wasser in ein Elektrowerkzeug eindringt, erhöht sich die Gefahr eines Stromschlags.

- d) **Missbrauchen Sie das Kabel nicht. Verwenden Sie das Kabel niemals zum Tragen, Ziehen oder Herausziehen des Steckers des Elektrowerkzeugs. Halten Sie das Kabel vor Wärme, Öl, spitzen Kanten oder sich bewegenden Teilen fern.** Beschädigte oder verwickelte Kabel erhöhen das Stromschlagrisiko.
- e) **Wenn Sie ein Elektrowerkzeug im Freien betreiben, verwenden Sie ein für den Außeneinsatz geeignetes Verlängerungskabel.** Die Verwendung eines für den Außeneinsatz geeigneten Kabels verringert das Risiko eines Stromschlags.
- f) **Wenn der Betrieb eines Elektrowerkzeugs in einer feuchten Umgebung unvermeidlich ist, verwenden Sie eine durch einen Fehlerstromschutzschalter geschützte Stromversorgung.** Die Verwendung eines Fehlerstromschutzschalters senkt das Stromschlagrisiko.
- 3) Sicherheit von Personen**
- a) **Bleiben Sie beim Umgang mit einem Elektrowerkzeug aufmerksam, achten Sie auf das, was Sie tun, und benutzen Sie Ihren gesunden Menschenverstand. Benutzen Sie Elektrowerkzeuge nicht, wenn Sie müde sind oder unter dem Einfluss von Drogen, Alkohol oder Medikamenten stehen.** Ein Moment der Unachtsamkeit während des Betriebs eines Elektrowerkzeugs kann zu schwerwiegenden Verletzungen führen.
- b) **Tragen Sie persönliche Schutzausrüstung. Immer eine Schutzbrille tragen.** Schutzausrüstungen wie Staubmaske, rutschfeste Sicherheitsschuhe, Schutzhelm oder Gehörschutz, die unter entsprechenden Bedingungen verwendet werden, verringern die Zahl der Verletzungen.
- c) **Unbeabsichtigtes Starten verhindern. Vergewissern Sie sich, dass der Schalter ausgeschaltet ist, bevor Sie das Gerät an die Stromquelle und/oder den Akku anschließen, es in die Hand nehmen oder tragen.** Das Tragen von Elektrowerkzeugen mit dem Finger auf dem Schalter oder das Einschalten von Elektrowerkzeugen, bei denen der Schalter eingeschaltet ist, lädt zu Unfällen ein.
- d) **Entfernen Sie vor dem Einschalten des Elektrowerkzeugs alle Einstellschlüssel oder Schraubenschlüssel.** Ein Einstellschlüssel oder Schraubenschlüssel, der an einem rotierenden Teil des Elektrowerkzeugs verbleibt, kann zu Verletzungen führen.
- e) **Keine anormale Arbeitshaltung einnehmen. Achten Sie jederzeit auf festen Stand und Ihr Gleichgewicht.** Das ermöglicht eine bessere Kontrolle des Elektrowerkzeugs in unerwarteten Situationen.
- f) **Angemessene Kleidung tragen. Keine locker sitzende Kleidung oder Schmuck tragen. Haare, Kleidung und Handschuhe von beweglichen Teilen fernhalten.** Locker sitzende Kleidung, Schmuck oder lange Haare können sich in beweglichen Teilen verfangen.
- g) **Wenn Anschlüsse für Vorrichtungen zum Absaugen und Sammeln von Staub vorhanden sind, stellen Sie sicher, dass diese angebracht und ordnungsgemäß verwendet werden.** Die Verwendung einer Staubabsaugvorrichtung kann staubbedingte Gefahren verringern.
- h) **Achten Sie darauf, nicht durch häufigen Gebrauch von Werkzeugen nachlässig zu werden und die Prinzipien zum sicheren Umgang mit den Werkzeugen zu ignorieren.** Eine unachtsame Handlung kann innerhalb von Sekundenbruchteilen schwere Verletzungen verursachen.
- 4) Verwendung und Pflege von Elektrowerkzeugen**
- a) **Wenden Sie keine übermäßige Kraft auf das Elektrowerkzeug an. Verwenden Sie das richtige Elektrowerkzeug für Ihre Anwendung.** Das richtige Elektrowerkzeug erledigt die Arbeit besser und sicherer mit der Geschwindigkeit, für die es konzipiert wurde.
- b) **Verwenden Sie das Elektrowerkzeug nicht, wenn es nicht am Schalter ein- und ausgeschaltet werden kann.** Jedes Elektrowerkzeug, das nicht mit dem Schalter gesteuert werden kann, stellt eine Gefahr dar und muss repariert werden.
- c) **Ziehen Sie den Stecker aus der Steckdose bzw. trennen Sie den Akku vom Elektrowerkzeug, bevor Sie irgendwelche Einstellungen vornehmen, Zubehörteile austauschen oder Elektrowerkzeuge aufbewahren.** Diese vorbeugenden Sicherheitsmaßnahmen verringern das Risiko einer unbeabsichtigten Inbetriebnahme des Elektrowerkzeugs.
- d) **Bewahren Sie ungenutzte Elektrowerkzeuge außerhalb der Reichweite von Kindern auf und erlauben Sie Personen, die mit dem Elektrowerkzeug oder dieser Anleitung nicht vertraut sind, nicht, das Elektrowerkzeug zu bedienen.**

Elektrowerkzeuge stellen in den Händen von ungeschulten Benutzern eine Gefahr dar.

- e) **Pflegen Sie Elektrowerkzeuge. Prüfen Sie auf Fehlausrichtung oder Blockierung beweglicher Teile, Bruch von Teilen sowie auf alle anderen Bedingungen, die den Betrieb des Elektrowerkzeugs beeinträchtigen können. Bei einer Beschädigung lassen Sie das Elektrowerkzeug vor dem weiteren Gebrauch reparieren.** Viele Unfälle werden durch schlecht gepflegte Elektrowerkzeuge verursacht.
  - f) **Halten Sie die Schneidwerkzeuge scharf und sauber.** Ordnungsgemäß gewartete Schneidwerkzeuge mit scharfen Schneidkanten verklemmen sich seltener und sind leichter zu kontrollieren.
  - g) **Verwenden Sie das Elektrowerkzeug, das Zubehör und die Bits usw. gemäß dieser Anleitung und unter Berücksichtigung der Bedingungen und der vorgesehenen Arbeiten.** Die Verwendung des Elektrowerkzeugs für andere als die vorgesehenen Tätigkeiten kann zu einer gefährlichen Situation führen.
  - h) **Halten Sie Griffe und Greifflächen immer trocken, sauber und frei von Öl und Fett.** Rutschige Griffe und Greifflächen verhindern in unerwarteten Situationen den sicheren Umgang mit dem Werkzeug und die richtige Kontrolle darüber.
- 5) Verwendung und Pflege von Akkus**
- a) **Laden Sie den Akku nur mit dem vom Hersteller angegebenen Ladegerät auf.** Ein Ladegerät, das für einen Akkutyp geeignet ist, kann bei Verwendung mit einem anderen Akkutyp eine Brandgefahr darstellen.
  - b) **Verwenden Sie Elektrowerkzeuge nur mit den speziell dafür vorgesehenen Akkus.** Bei Verwendung anderer Akkus besteht Verletzungs- und Brandgefahr.
  - c) **Wenn der Akku nicht in Gebrauch ist, halten Sie ihn von anderen Metallgegenständen wie Büroklammern, Münzen, Schlüsseln, Nägeln, Schrauben oder anderen kleinen Metallobjekten fern, die einen Kontakt zwischen den Anschlüssen herstellen können.** Das Kurzschließen von Batterieanschlüssen kann zu Verbrennungen oder einem Brand führen.
  - d) **Unter missbräuchlichen Bedingungen kann Flüssigkeit aus dem Akku austreten; vermeiden Sie den Kontakt damit. Bei versehentlichem Kontakt gut mit Wasser abspülen. Wenn die**

**Flüssigkeit in die Augen gelangt, suchen Sie zusätzlich einen Arzt auf.** Aus dem Akku austretende Flüssigkeit kann Reizungen oder Verbrennungen verursachen.

- e) **Verwenden Sie keinesfalls Akkus und Werkzeuge, die beschädigt oder verändert wurden.** Beschädigte oder veränderte Akkus können ein unvorhersehbares Verhalten zeigen, das zu Feuer, Explosionen oder Verletzungsgefahren führt.
  - f) **Setzen Sie Akkus oder Werkzeuge keinem Feuer oder übermäßigen Temperaturen aus.** Feuer oder Temperaturen über 130 °C können zu Explosionen führen. HINWEIS: Die Temperaturangabe „130 °C“ kann durch die Temperaturangabe „265 °F“ ersetzt werden.
  - g) **Beachten Sie alle Hinweise zum Aufladen und laden Sie Akkus oder Werkzeuge nicht außerhalb der in der Anleitung angegebenen Temperaturbereiche auf.** Unsachgemäßes Aufladen oder Aufladen bei Temperaturen außerhalb des angegebenen Bereichs kann den Akku schädigen und die Brandgefahr erhöhen.
- 6) Wartung**
- a) **Lassen Sie Ihr Elektrowerkzeug von einer qualifizierten Fachwerkstatt warten, die nur identische Ersatzteile verwendet.** So wird sichergestellt, dass die Sicherheit des Elektrowerkzeugs gewahrt bleibt.
  - b) **Beschädigte Akkus dürfen keinesfalls gewartet werden.** Die Wartung von Akkus darf nur vom Hersteller oder von Vertragswerkstätten durchgeführt werden.
  - c) **Wenn das Netzkabel des Ladegeräts beschädigt ist, muss es vom Hersteller, seinem Kundendienst oder einer ähnlich qualifizierten Person ausgetauscht werden, um eine Gefährdung zu vermeiden.**

## ZUSÄTZLICHE SICHERHEITSHINWEISE FÜR RATSCHENSCHLÜSSEL

1. Halten Sie das Elektrowerkzeug an den isolierten Griffflächen fest, wenn Sie eine Arbeit ausführen, bei der das Befestigungsmittel verborgene Drähte berühren könnte. Befestigungselemente, die mit einer spannungsführenden Leitung in Berührung kommen, können freiliegende Metallteile des Elektrowerkzeugs unter Spannung setzen und dem Bediener einen Stromschlag versetzen.

2. Halten Sie das Werkzeug gut fest.
3. Achten Sie immer auf einen festen Stand.  
Achten Sie darauf, dass sich niemand unterhalb von Ihnen aufhält, wenn Sie das Werkzeug an hochgelegenen Stellen verwenden.
4. Tragen Sie Gehörschutz.
5. Überprüfen Sie die Schlagschrauberaufnahme vor der Installation sorgfältig auf Anzeichen von Verschleiß, Rissen oder Beschädigungen.
6. Hände von rotierenden Teilen fernhalten.
7. Ratschenkopf, Schlagschrauberaufnahme, Schraube, Mutter oder Werkstück nicht direkt nach längerer Arbeit berühren. Die Teile können extrem heiß sein und zu Hautverbrennungen führen.

**SICHERHEITSHINWEISE FÜR AKKUS**

- a) **Akku nicht öffnen.** Gefahr eines Kurzschlusses.
- b) **Schützen Sie den Akku vor Hitze, zum Beispiel vor andauerndem intensiven Sonnenlicht, sowie vor Feuer, Wasser und Feuchtigkeit.** Explosionsgefahr.
- c) **Bei Beschädigung und unsachgemäßer Verwendung des Akkus können Dämpfe freigesetzt werden. Lüften Sie den Bereich und suchen Sie bei Beschwerden einen Arzt auf.** Die Dämpfe können die Atemwege reizen.
- d) **Verwenden Sie den Akku nur in Verbindung mit Ihrem Vonroc-Produkt.** Nur dadurch wird der Akku vor gefährlicher Überladung geschützt.
- e) **Der Akku kann durch spitze Gegenstände wie Nägel oder Schraubendreher oder durch äußere Kräfteinwirkung beschädigt werden.** Es kann ein interner Kurzschluss auftreten und der Akku kann brennen, rauchen, explodieren oder überhitzen.

**SICHERHEITSHINWEISE FÜR LADEGERÄTE**

**Verwendungszweck**

Laden Sie mit dem Ladegerät nur wiederaufladbare Akkus vom Typ CD801AA und CD803AA auf. Andere Akkutypen können platzen und Verletzungen und Schäden verursachen.

- a) **Das Gerät darf nicht von Personen (einschließlich Kinder) mit eingeschränkten körperlichen, sensorischen oder geistigen Fähigkeiten oder mangelnder Erfahrung und mangelndem Wissen verwendet werden, es sei denn, sie werden dabei beaufsichtigt oder sie wurden in die Verwendung des Geräts eingewiesen.**

- b) **Es ist darauf zu achten, dass Kinder nicht mit dem Gerät spielen.**
- c) **Laden Sie keine nicht aufladbaren Batterien auf!**
- d) **Während des Ladevorgangs müssen sich die Akkus in einem gut belüfteten Bereich befinden!**

**Elektrische Sicherheit**



*Immer prüfen, dass die Spannung der Stromversorgung der Spannung auf dem Typenschild entspricht.*

- Das Gerät nicht verwenden, wenn das Netzkabel oder der Netzstecker beschädigt ist.
- Nur Verlängerungskabel verwenden, die für die Leistungswerte des Geräts geeignet sind und eine Mindestdicke von 1,5 mm<sup>2</sup> aufweisen. Bei Verwendung eines Verlängerungskabels auf einer Kabeltrommel muss das Kabel immer komplett abgewickelt werden.

**2. GERÄTEDATEN**

**Verwendungszweck**


Dieses Gerät ist zum Eindrehen und Lösen von Schrauben und Bolzen sowie zum Festziehen und Lösen von Muttern vorgesehen, wobei jeweils die technischen Daten zu beachten sind. Die Haupteinsatzumgebungen sind der Automobilsektor, der Metallbaubereich oder Dacharbeiten. Das Gerät ist nicht für Bohrarbeiten bestimmt.


**TECHNISCHE DATEN**





*Dieses Handbuch wurde für unterschiedliche Sets / Artikelnummern erstellt. Achten Sie in der Spezifikationstabelle mit den korrekten Zusammenstellungen und Inhalten für Ihr Set auf Ihre jeweilige Artikelnummer.*

Modellnr.	Akkus enthalten	Ladegeräte enthalten
<b>RW501DC</b>	-	-
<b>S_RW501DC</b>	CD801AA	CD802AA
<b>S2_RW501DC</b>	2 x CD801AA	CD802AA
<b>S3_RW501DC</b>	CD803AA	CD802AA

<b>Maschinendaten</b>	
Nennspannung	20V 
Leerlaufdrehzahl	0-260/min
Spannfutter	3/8"-Vierkant-Spannfutter
Max. Drehmoment	50 Nm
Gewicht	1,2 kg
IP-Klasse	IPX0
Schalldruckpegel $L_{PA}$	75,2 dB(A) K=3 dB(A)
Schalleistungspegel $L_{WA}$	86,2 dB(A), K=3dB(A)
Vibration	2,069 m/s <sup>2</sup> K=1,5 m/s <sup>2</sup>

<b>Modellnr.</b>	<b>CD801AA</b>
Akkutyp	Lithium-Ionen
Spannung	20V 
Kapazität	2,0 Ah
Empfohlenes Ladegerät	CD802AA
Gewicht	0,3 kg

<b>Modellnr.</b>	<b>CD802AA</b>
Ladegerät-Eingang	220-240V, 50Hz 0,4A
Ladegerät-Ausgang	21V  2,5A
Ladedauer 2Ah-Akku	60 Minuten
Ladedauer 4Ah-Akku	120 Minuten
Empfohlene Akkus	CD801AA, CD803AA
Gewicht	0,36 kg

<b>Modellnr.</b>	<b>CD803AA</b>
Akkutyp	Lithium-Ionen
Spannung	20V 
Kapazität	4,0 Ah
Empfohlenes Ladegerät	CD802AA
Gewicht	0,65 kg

Verwenden Sie nur folgende Akkus der VONROC VPOWER 20V-Akku-Plattform. Die Verwendung anderer Akkus kann zu schweren Verletzungen oder einer Beschädigung des Werkzeugs führen.

CD801AA 20 V, 2Ah Lithium-Ionen  
 CD803AA 20 V, 4Ah Lithium-Ionen

Folgendes Ladegerät ist zum Aufladen dieser Akkus vorgesehen.

CD802AA Schnellladegerät

Die Akkus der VONROC VPOWER 20V-Akku-Plattform sind unter allen Werkzeugen der VONROC VPOWER 20V-Akku-Plattform austauschbar.

### Vibrationsintensität

Die in dieser Bedienungsanleitung angegebene Vibrationsintensität wurde mit einem standardisierten Test gemäß EN 62841 gemessen. Anhand dieser Größe können Werkzeuge miteinander verglichen werden. Außerdem eignet sich diese Größe für eine erste Beurteilung der Vibrationsbelastung bei Verwendung des Werkzeugs für die angegebenen Anwendungszwecke.

- Bei Verwendung des Werkzeugs für andere Anwendungen oder mit anderem oder unzureichend gewartetem Zubehör kann sich die Vibrationsbelastung erheblich erhöhen.
- Wenn das Werkzeug ausgeschaltet ist, oder wenn es eingeschaltet ist, jedoch nicht genutzt wird, kann sich die Vibrationsbelastung erheblich verringern.

Schützen Sie sich vor den Auswirkungen der Vibration durch Wartung des Werkzeugs und des Zubehörs, halten Sie Ihre Hände warm, und organisieren Sie Ihren Arbeitsablauf.

### BESCHREIBUNG

Die Zahlen im Text beziehen sich auf die Abbildungen auf den Seiten 2 - 3.

1. Gerät
2. Akku
3. Taste zum Entsperren des Akkus
4. Arbeitsleuchte
5. Ein-/Ausschalter
6. 3/8" (9,5 mm) Vierkant-Spannfutter
7. Richtungsschalter
9. Verriegelungshebel
10. Knopf für Akku-LED-Anzeigen
11. Akku-LED-Anzeigen
12. Ladegerät
13. Ladegerät-LED-Anzeigen

### 3. MONTAGE



Entfernen Sie vor allen Arbeiten an dem Elektrowerkzeug den Akku.



Der Akku muss vor der erstmaligen Benutzung aufgeladen werden.

#### Einlegen des Akkus in das Gerät (Abb. B)



Stellen Sie sicher, dass die Außenseite des Akkus sauber und trocken ist, bevor Sie ihn an das Ladegerät oder das Gerät anschließen.

1. Setzen Sie den Akku (2) in den Sockel des Geräts ein, wie in Abb. B dargestellt.
2. Schieben Sie den Akku weiter nach vorne, bis er einrastet.

#### Entnehmen des Akkus aus dem Gerät (Abb. B)

1. Drücken Sie die Taste zum Entsperren des Akkus (3).
2. Ziehen Sie den Akku aus dem Gerät heraus, wie in Abb. B dargestellt.

#### Überprüfen des Ladezustands des Akkus (Abb. C)

- Zum Überprüfen des Ladezustands des Akkus drücken Sie kurz den Knopf (10) am Akku.
- Der Akku hat 3 Leuchten, die den Ladezustand anzeigen. Je mehr Leuchten brennen, desto mehr Ladung hat der Akku noch.
- Wenn keine der Leuchten an ist, bedeutet das, dass der Akku leer ist und sofort aufgeladen werden muss.

#### Aufladen des Akkus mit dem Ladegerät (Abb. C)

1. Nehmen Sie den Akku (2) aus dem Gerät.
2. Drehen Sie den Akku (2) um und schieben Sie ihn auf das Ladegerät (12), wie in Abb. C gezeigt.
3. Schieben Sie den Akku so weit herein, bis er vollständig im Steckplatz sitzt.
4. Verbinden Sie den Ladestecker mit einer Steckdose und warten Sie einen Moment. Die LED-Anzeigen am Ladegerät (13) leuchten auf und zeigen den Ladestatus an.

Das Ladegerät besitzt 2 LED-Anzeigen (13), die seinen Ladestatus angeben:

Status der roten LED	Status der grünen LED	Status des Ladegeräts
Aus	Aus	Kein Strom
Aus	An	Bereitschaftsmodus: - Kein Akku eingelegt oder - Akku eingelegt, aber Ladevorgang abgeschlossen
An	Aus	Akku wird gerade geladen

- Das vollständige Aufladen des 2Ah-Akkus kann bis zu 60 Minuten dauern.
- Das vollständige Aufladen des 4Ah-Akkus kann bis zu 120 Minuten dauern.

Nachdem der Akku vollständig geladen ist, den Ladegerätstecker aus der Steckdose ziehen und den Akku aus dem Ladegerät nehmen.



Wenn das Gerät über einen längeren Zeitraum nicht verwendet wird, ist es am besten, den Akku in geladenem Zustand zu lagern.

#### Entfernen und Anbringen von Zubehör

- Stellen Sie das Gerät aus.
- Nehmen Sie die Aufnahme aus dem Spannfutter (6), falls vorhanden.
- Lassen Sie die neue Aufnahme im Spannfutter (6) einrasten.
- Überprüfen Sie, ob die Aufnahme richtig angebracht ist.
- Zum Entfernen können Sie die Aufnahme einfach herausziehen.

### 4. BETRIEB

#### Ein- und Ausschalten der Maschine (Abb. A)

Der Ein-/Ausschalter (5) dient zur Aktivierung des Geräts sowie zur Einstellung der Drehzahl.

- Durch Drücken des Ein-/Ausschalters (5) wird das Gerät aktiviert, und je weiter der Schalter gedrückt wird, desto schneller dreht sich der Bohrer.

- Das Loslassen des Ein-/Ausschalters (5) schaltet das Gerät aus.
- Damit der Schalter (5) nicht versehentlich gedrückt werden kann, ist ein Verriegelungshebel (9) vorhanden. Wenn der Verriegelungshebel in der verriegelten Stellung ist, kann der Schalter nicht betätigt werden. Nur wenn der Verriegelungshebel in der entriegelten Stellung ist, lässt sich der Schalter betätigen.



*Legen Sie das Gerät erst ab, wenn es vollständig zum Stillstand gekommen ist. Legen Sie es nicht auf eine staubige Oberfläche, da Staubpartikel in den Mechanismus gelangen könnten.*

#### **Einstellen der Drehrichtung (Abb. A)**

- Stellen Sie den Richtungsschalter (7) auf die Position ‚F‘, um Schrauben oder Muttern einzudrehen.
- Stellen Sie den Richtungsschalter (7) auf die Position ‚R‘, um Schrauben oder Muttern zu entfernen.

#### **Arbeitsleuchte (Abb. A)**

Das Gerät ist mit einer Arbeitsleuchte (4) zur Beleuchtung des Arbeitsplatzes ausgestattet.

- Sie schaltet sich automatisch ein, sobald der Ein-/Ausschalter gedrückt wird.
- Sie schaltet sich automatisch aus, sobald der Ein-/Ausschalter wieder losgelassen wird.

## **5. WARTUNG**



*Vor dem Beginn von Reinigungs- und Wartungsarbeiten immer erst das Gerät ausschalten und den Akku entfernen.*

Die Maschinengehäuse regelmäßig mit einem weichen Tuch reinigen, vorzugsweise nach jedem Gebrauch. Sicherstellen, dass die Lüftungsöffnungen frei von Staub und Schmutz sind.

Sehr hartnäckigen Schmutz mit einem mit Seifenlauge befeuchteten Tuch entfernen. Keine Lösungsmittel wie Benzin, Alkohol, Ammoniak usw. verwenden, da Chemikalien dieser Art die Kunststoffteile beschädigen.

## **UMWELT**



*Fehlerhafte und/oder ausgesonderte elektrische oder elektronische Geräte müssen zu den entsprechenden Recycling-orten gebracht werden.*

#### **Nur für EU-Länder**

Entsorgen Sie Elektrowerkzeuge nicht im Hausmüll. Nach der europäischen Richtlinie 2012/19/EC über Elektro- und Elektronik-Altgeräte und ihrer Umsetzung in nationales Recht müssen Elektrowerkzeuge, die nicht mehr verwendet werden sollen, getrennt gesammelt und auf umweltgerechte Weise entsorgt werden.

## **GARANTIE**

VONROC-Produkte werden nach den höchsten Qualitätsstandards entwickelt und sind für den gesetzlich festgelegten Zeitraum ab dem Datum des ursprünglichen Kaufs garantiert frei von Material- und Verarbeitungsfehlern. Sollte das Produkt während dieses Zeitraums aufgrund von Material- und/oder Verarbeitungsfehlern ausfallen, wenden Sie sich bitte direkt an VONROC.

Folgende Umstände sind aus der Garantie ausgeschlossen:

- An der Maschine wurden von nicht autorisierten Servicestellen Reparaturen und/oder Änderungen vorgenommen oder versucht;
- Normaler Verschleiß;
- Das Gerät wurde missbräuchlich oder falsch verwendet oder unsachgemäß gewartet;
- Es wurden keine Originalersatzteile verwendet.

Dies ist die einzige ausdrückliche oder stillschweigende Garantie, die das Unternehmen übernimmt. Es gibt keine weiteren ausdrücklichen oder stillschweigenden Garantien, die über die hierin enthaltenen Angaben hinausgehen, einschließlich der stillschweigenden Garantien der Gebrauchstauglichkeit und Eignung für einen bestimmten Zweck. VONROC haftet in keinem Fall für zufällige Schäden oder Folgeschäden. Die Rechtsmittel des Händlers beschränken sich auf die Reparatur oder den Austausch der nicht konformen Geräte oder Teile.

**Das Produkt und die Bedienungsanleitung können Änderungen unterliegen. Technische Daten können ohne vorherige Ankündigung geändert werden.**



## 1. VEILIGHEIDSINSTRUCTIES

Lees de bijgesloten veiligheidswaarschuwingen, de aanvullende veiligheidswaarschuwingen en de instructies. Geef u geen gevolg aan de veiligheidswaarschuwingen en de instructies dan kan dat een elektrische schok, brand en/of ernstig letsel tot gevolg hebben. Bewaar de veiligheidswaarschuwingen en de instructies zodat u ze later ook nog kunt raadplegen.

De volgende symbolen worden gebruikt in de gebruiksaanwijzing of op het product:



*Lees de gebruiksaanwijzing.*



*Duidt op het risico op lichamelijk letsel, overlijden en/of beschadiging van het apparaat, als de instructies in deze gebruiksaanwijzing niet in acht worden genomen.*



*Risico op een elektrische schok.*



*Variabele elektronische snelheid.*



*Niet gebruiken in de regen.*



*Alleen voor gebruik binnenshuis.*



*Klasse II machine - Dubbele isolatie - Een geaarde stekker is niet nodig.*



*Vertraging miniatuur smeltzekering.*



*Max. temperatuur 45 °C.*



*Gooi de accu niet in het vuur.*



*Gooi de accu niet in het water.*



*Draag oogbescherming.*



*Draag gehoorbescherming.*



*Gooi het product niet weg in containers die daarvoor niet geschikt zijn.*



*Gescheiden inzameling voor Li-ion-accu.*



*Het product voldoet aan de geldende veiligheidsnormen van de Europese richtlijnen.*

### ALGEMENE VEILIGHEIDSWAARSCHUWINGEN VOOR ELEKTRISCH GEREEDSCHAP



**WAARSCHUWING!** Lees alle veiligheidswaarschuwingen en alle instructies. Geef u geen gevolg aan de waarschuwingen en de instructies, dan kan dat een elektrische schok, brand en/of ernstig letsel tot gevolg hebben.

#### Bewaar alle waarschuwingen en instructies zodat u ze later ook nog kunt raadplegen.

De term 'elektrisch gereedschap' in de waarschuwingen verwijst naar het elektrische gereedschap (met snoer) dat via uw netvoeding wordt gebruikt of naar (draadloos) elektrisch gereedschap dat door een accu wordt aangedreven.

#### 1) Veiligheid in de werkruimte

- a) **Houd het werkgebied goed schoon en goed verlicht.** Op rommelige of donkere werkplekken zullen gemakkelijk ongelukken gebeuren.
- b) **Gebruik geen elektrische gereedschappen in explosieve situaties, zoals in de nabijheid van ontvlambare vloeistoffen, gassen of stof.** Elektrische gereedschappen maken vonken die het stof of de gassen kunnen ontsteken.
- c) **Houd kinderen en omstanders uit de buurt terwijl u het elektrische gereedschap gebruikt.** Door afleidingen kunt u de controle verliezen.

#### 2) Elektrische veiligheid

- a) **Stekkers van elektrisch gereedschap moeten bij de stopcontacten passen. Breng nooit op welke manier dan ook veranderingen in de stekker aan. Gebruik nooit adapterstekkers met (geaard) elektrisch gereedschap.** Originele stekkers en passende stopcontacten verminderen het risico op een elektrische schok.
- b) **Voorkom lichamelijk contact met geaarde oppervlakken, zoals leidingen, radiatoren, fornuizen en koelkasten.** Er is sprake van een verhoogd risico op een elektrische schok als uw lichaam geaard is.
- c) **Stel elektrische gereedschappen niet bloot aan regen of natte omstandigheden.** Als water

- in het elektrisch gereedschap binnendringt, verhoogt dit de kans op een elektrische schok.
- d) **Het snoer niet oneigenlijk gebruiken. Gebruik het snoer nooit om het elektrische gereedschap te dragen of mee te slepen, of om de stekker uit het stopcontact te trekken. Houd het snoer weg bij hete voorwerpen, olie, scherpe randen en/of bewegende onderdelen.** Beschadigde of in de war geraakte snoeren vergroten het risico van een elektrische schok.
- e) **Als u elektrisch gereedschap buitenshuis gebruikt, dient u altijd een verlengsnoer te gebruiken dat geschikt is voor buitenshuis gebruik.** Het gebruik van een snoer dat geschikt is voor buitenshuis gebruik, zal het risico op een elektrische schok verminderen.
- f) **Als het gebruik van elektrisch gereedschap in een vochtige ruimte niet kan worden voorkomen, gebruik dan een altijd een door een aardlekschakelaar (RCD) beschermde voeding.** Het gebruik van een aardlekschakelaar zal het risico op een elektrische schok verminderen.
- 3) Persoonlijke veiligheid**
- a) **Let altijd op en kijk goed uit wat u doet en gebruik uw verstand tijdens het werken met elektrisch gereedschap. Werk niet met het product als u moe bent of onder invloed van alcohol of drugs.** Een ogenblik van onoplettendheid tijdens het werken met elektrische gereedschap kan ernstig persoonlijk letsel tot gevolg hebben.
- b) **Gebruik persoonlijke beschermingsmiddelen. Draag altijd oogbescherming.** Beschermingsmiddelen zoals een stofmasker, antislip-veiligheidsschoenen, helm, of gehoorbescherming die voor de juiste omstandigheden worden gebruikt, zullen het risico op persoonlijk letsel verminderen.
- c) **Voorkom het onbedoeld starten. Controleer of de schakelaar in de stand Uit staat, voordat het gereedschap op de voeding of accu wordt aangesloten, wordt opgepakt of gedragen.** Het dragen van elektrische gereedschap met de vinger op de schakelaar, of het inschakelen van elektrisch gereedschap met de schakelaar in de stand Aan, vraagt om ongelukken.
- d) **Verwijder stelsleutels of steeksleutels voordat u het elektrisch gereedschap inschakelt.** Een steeksleutel of andere sleutel die op een draaiend deel van het elektrisch gereedschap blijft zitten, kan resulteren in persoonlijk letsel.
- e) **Reik niet buiten uw macht. Blijf altijd stevig en in evenwicht staan.** Hierdoor hebt u in onverwachte situaties een betere controle over het elektrische gereedschap.
- f) **Draag geschikte kleding. Draag geen losse kleding of sieraden. Houd uw haar, kleding en handschoenen weg bij bewegende onderdelen.** Loszittende kleding, sieraden of lang haar kunnen door bewegende delen worden gegrepen.
- g) **Als het apparaat wordt geleverd met een aansluiting voor het afzuigen en verzamelen van stof, zorg er dan voor dat deze correct worden aangesloten en gebruikt.** Het gebruik van het afzuigen en verzamelen van stof, kan de aan stof gerelateerde gevaren verminderen.
- h) **Denk niet dat u wel weet hoe het allemaal werkt, omdat u het gereedschap vaak gebruikt en dat u de veiligheidsbeginselen voor het gebruik van het gereedschap wel kunt negeren.** Een onbezonnen actie kan in een fractie van een seconde ernstig letsel tot gevolg hebben.
- 4) Gebruik en onderhoud van elektrisch gereedschap**
- a) **Forceer het elektrisch gereedschap niet. Gebruik het juiste elektrisch gereedschap voor uw werkzaamheden.** Het juiste elektrisch gereedschap klaart de klus beter en veiliger als deze hiervoor is ontworpen.
- b) **Gebruik het elektrisch gereedschap niet als de schakelaar het apparaat niet in- en uitschakelt.** Elk elektrisch gereedschap dat niet met de schakelaar kan worden bediend is gevaarlijk en moet worden gerepareerd.
- c) **Neem de stekker van het elektrische gereedschap uit het stopcontact en/of verwijder de accu voordat enige aanpassingen worden uitgevoerd, accessoires worden vervangen of elektrisch gereedschap wordt opgeborgen.** Dergelijke preventieve veiligheidsmaatregelen verminderen het risico op het onbedoeld starten van het elektrische gereedschap.
- d) **Berg ongebruikt elektrisch gereedschap buiten bereik van kinderen op en sta niet toe dat mensen die onbekend zijn met het elektrische gereedschap of deze instructies, met het elektrische gereedschap werken.** Elektrische gereedschap kan erg gevaarlijk zijn in de handen van ongetrainde gebruikers.
- e) **Onderhoud van elektrisch gereedschap. Controleer op scheve of klemmende bewegen-**

**de onderdelen, kapotte onderdelen en enige andere omstandigheden die de werking van het elektrische gereedschap kunnen beïnvloeden. Als het elektrisch gereedschap een beschadiging of storing heeft, dient u het eerst te laten repareren.** Veel ongelukken worden veroorzaakt door slecht onderhouden elektrisch gereedschap.

- f) **Zorg ervoor dat snij- of zaaggereedschap scherp en schoon blijft.** Op de juiste manier onderhouden snij- of zaaggereedschap met scherpe snijranden hebben minder de neiging om beklemd te raken en zijn gemakkelijker te sturen.
- g) **Gebruik het elektrische gereedschap, de accessoires, bitjes, enz. volgens deze instructies, rekening houdend met de werkomstandigheden en de uit te voeren werkzaamheden.** Gebruik van het elektrisch gereedschap voor andere werkzaamheden dan het bedoelde gebruik, kan een gevaarlijke situatie tot gevolg hebben.
- h) **Houd handgrepen en greepoppervlakken droog, schoon en vrij van olie en vet.** Gladde handgrepen en greepoppervlakken maken veilig werken en controle over het gereedschap in onverwachte situaties onmogelijk.

#### 5) Gebruik en onderhoud van de accu

- a) **Laad de accu uitsluitend op met de door de fabrikant opgegeven lader.** Een lader die geschikt is voor het ene type accu, kan een risico op brand veroorzaken wanneer de lader voor een ander type accu wordt gebruikt.
- b) **Gebruik elektrisch gereedschap alleen met de daarvoor specifiek aangewezen accu's.** Het gebruik van andere accu's kan een risico op letsel of brand tot gevolg hebben.
- c) **Houd de accu, wanneer deze niet in gebruik is, weg bij metalen voorwerpen zoals paperclips, munten, sleutels, spijkers, schroeven, of andere kleine metalen voorwerpen die een aansluiting tot stand kunnen brengen tussen de ene pool van de accu en de andere.** Kortsluiting tussen polen van de accu kan brandwonden of brand tot gevolg hebben.
- d) **Wanneer de accu ruw wordt behandeld, kan er vloeistof uit de accu komen; vermijd contact hiermee. Als dat per ongeluk toch gebeurt, spoel het aangedane gebied dan met water. Als de vloeistof in contact komt met de ogen, roep dan ook medische hulp in.** Vloeistof afkomstig

uit de accu kan irritatie of brandwonden veroorzaken.

- e) **Gebruik geen accu of gereedschap dat is beschadigd of werd gewijzigd.** Beschadigde of aangepaste accu's kunnen onvoorspelbaar gedrag vertonen, wat brand, explosie of een risico van letsel met zich meebrengt.
- f) **Stel een accu of gereedschap niet bloot aan open vuur of een uitzonderlijk hoge temperatuur.** Blootstelling aan vuur of een temperatuur hoger dan 130 °C, kan een explosie veroorzaken. NB De temperatuur van "130 °C" kan worden vervangen door de temperatuur van "265 °F".
- g) **Houd u aan alle instructies voor het laden en laad de accu of het gereedschap niet op buiten het temperatuurbereik dat in de instructies wordt aangeduid.** Op een onjuiste wijze laden of laden bij temperaturen buiten het aangeduide bereik kan de accu beschadigen en het risico van brand doen toenemen.

#### 6) Onderhoud

- a) **Laat uw elektrisch gereedschap onderhouden door een gekwalificeerde reparateur die uitsluitend identieke vervangende onderdelen gebruikt.** Dit waarborgt dat de veiligheid van het elektrisch gereedschap behouden blijft.
- b) **Voer nooit onderhoudswerkzaamheden uit aan beschadigde accu's.** Alleen de fabrikant of geautoriseerde serviceproviders mogen onderhoudswerkzaamheden aan accu's uitvoeren.
- c) **Als het netsnoer beschadigd is, moet het worden vervangen door de fabrikant, diens onderhoudsvertegenwoordiger of andere gekwalificeerde personen om gevaren te voorkomen.**

#### AANVULLENDE VEILIGHEIDSWAARSCHUWINGEN VOOR SNOERLOZE RATELSLEUTELS

1. Houd het elektrisch gereedschap vast met de geïsoleerde greepoppervlakken tijdens handelingen waarbij verborgen bedrading geraakt kan worden. Contact maken met een draad 'onder spanning' kan blootliggende metalen onderdelen van het elektrisch gereedschap 'onder spanning' zetten en de gebruiker een elektrische schok geven.
2. Houd het gereedschap stevig vast.
3. Zorg ervoor dat u altijd stevig op uw voeten staat. Controleer dat er niemand onder staat als u het gereedschap op een hoogte gebruikt.

4. Draag gehoorbescherming.
5. Controleer het slagmechanisme vóór installatie zorgvuldig op slijtage, scheuren of schade.
6. Houd uw handen uit de buurt van draaiende onderdelen.
7. Raak de ratelkop, het slagmechanisme, de bout, moer of het werkstuk niet onmiddellijk na langdurig gebruik aan. Deze kunnen extreem heet zijn en uw huid verbranden.

### VEILIGHEIDSWAARSCHUWINGEN VOOR DE ACCU

- a) **Open de accu niet.** Risico op kortsluiting.
- b) **Bescherm de accu tegen hitte, bijv. continu intens zonlicht, vuur, water en vocht.** Gevaar voor ontploffing.
- c) **In geval van beschadiging en verkeerd gebruik van de accu kunnen dampen vrijkomen. Ventileer de omgeving en zoek medische hulp in geval van klachten.** De dampen kunnen tot irritatie van de luchtwegen leiden.
- d) **Gebruik de accu alleen in combinatie met uw Vonroc-product.** Deze maatregel beschermt de accu tegen gevaarlijke overbelasting.
- e) **De accu kan beschadigd raken door puntige voorwerpen zoals spijkers of schroevendraaiers of door geweld van buitenaf.** Er kan interne kortsluiting optreden en de accu kan gaan branden, roken, exploderen of oververhit raken.

### VEILIGHEIDSWAARSCHUWINGEN VOOR DE LADER

#### Bedoeld gebruik

Uitsluitend CD801AA en CD803AA-type oplaadbare accu's met de lader opladen. Alle andere accu's kunnen openbarsten waardoor persoonlijk letsel en materiële schade ontstaat.

- a) **Het apparaat mag niet worden gebruikt door personen (inclusief kinderen) met verminderde fysieke, zintuiglijke of psychische vermogens, of met een gebrek aan ervaring en kennis, tenzij zij onder toezicht staan of instructies hebben gekregen.**
- b) **Kinderen die onder toezicht staan mogen niet met het apparaat spelen.**
- c) **Nooit niet-oplaadbare accu's opladen!**
- d) **Tijdens het opladen moeten de accu's in een goed geventileerde ruimte worden geplaatst!**

### Elektrische veiligheid



*Controleer altijd of de stroomvoorziening overeenkomt met de spanning die wordt vermeld op het typeplaatje.*

- Gebruik het apparaat niet als het snoer van het apparaat of de stekker is beschadigd.
- Gebruik alleen verlengkabels die geschikt zijn voor het vermogen van de machine met een minimale doorsnede van 1,5 mm<sup>2</sup>. Als u een verlengkabel op een katrol gebruikt, dient deze te allen tijde volledig afgerold te zijn.

## 2. TECHNISCHE INFORMATIE

### Bedoeld gebruik

Het gereedschap is bedoeld voor het inschroeven en uitdraaien van schroeven en bouten, evenals voor het vastdraaien en losdraaien van moeren, waarbij de technische gegevens worden opgevolgd. Het toepassingsgebied waarin dit gereedschap het meest wordt gebruikt, is de automobielsector, voor metalen constructies of voor dakwerkzaamheden. Dit apparaat is niet bedoeld voor het boren.

### TECHNISCHE SPECIFICATIES



*Deze gebruiksaanwijzing is opgesteld voor verschillende sets / artikelnummers. Controleer het bijbehorende artikelnummer in de onderstaande specificaties voor de juiste samenstelling en inhoud van uw set.*

Modelnr.	Accu's meegeleverd	Laders meegeleverd
RW501DC	-	-
S_RW501DC	CD801AA	CD802AA
S2_RW501DC	2 x CD801AA	CD802AA
S3_RW501DC	CD803AA	CD802AA

<b>Informatie over het apparaat</b>	
Nominale spanning	20 V
Onbelaste snelheid	0 - 260 s/min
Boorkop	3/8" vierkante gereedschapshouder
Max. koppel	50Nm
Gewicht	1,2 kg
IP klasse	IPX0
Geluidsdrumniveau $L_{PA}$	75,2 dB(A) K=3dB(A)
Geluidsdrumniveau $L_{WA}$	86,2 dB(A), K=3 dB(A)
Trillingen	2,069 m/s <sup>2</sup> K=1,5 m/s <sup>2</sup>

<b>Modelnr.</b>	<b>CD801AA</b>
Type accu	Lithium-ion
Spanning	20 V
Vermogen	2,0 Ah
Aanbevolen lader	CD802AA
Gewicht	0,3 kg

<b>Modelnr.</b>	<b>CD802AA</b>
Ingang lader	220-240V, 50Hz 0.4A
Uitgang lader	21 V  2,5 A
Laadtijd 2 Ah accu	60 minuten
Laadtijd 4Ah accu	120 minuten
Aanbevolen accu's	CD801AA, CD803AA
Gewicht	0,36 kg

<b>Modelnr.</b>	<b>CD803AA</b>
Type accu	Lithium-ion
Spanning	20 V
Vermogen	4,0 Ah
Aanbevolen lader	CD802AA
Gewicht	0,65 kg

Gebruik uitsluitend de volgende accu's van het VONROC POWER 20V accu-platform. Gebruik van andere accu's kan leiden tot ernstig letsel of tot beschadiging van het gereedschap.

CD801AA 20 V, 2 Ah Lithium-ion  
 CD803AA 20 V, 4 Ah Lithium-ion

De volgende lader kan worden gebruikt voor het opladen van deze accu's.  
 CD802AA Snellader

De accu's van het VONROC POWER 20V accu-platform kunnen worden gewisseld tussen alle gereedschappen van het VONROC POWER 20V accu-platform.

### Trillingsniveau

Het trillingsemissieniveau dat in deze instructiehandleiding wordt vermeld, is gemeten volgens een gestandaardiseerde test die wordt vermeld in EN 62841; hiermee kan het ene gereedschap worden vergeleken met het andere als een voorlopige beoordeling van blootstelling aan trillingen, wanneer het gereedschap voor de genoemde toepassingen wordt gebruikt.

- Het gebruik van de machine voor andere toepassingen, of met andere of slecht onderhouden accessoires, kan het blootstellingsniveau aanzienlijk verhogen.
- Het aantal keren dat het gereedschap wordt uitgeschakeld of wanneer het is ingeschakeld maar niet werkelijk wordt gebruikt, kan het blootstellingsniveau aanzienlijk verminderen.

Bescherm uzelf tegen de gevolgen van trillingen door het gereedschap en de accessoires goed te onderhouden, uw handen warm te houden en uw werkpatronen te organiseren.

### BESCHRIJVING

De nummers in de tekst verwijzen naar de schematische voorstellingen op de pagina's 2 - 3.

1. Gereedschap
2. Accu
3. Ontgrendelingsknop accu
4. Werklicht
5. Aan/uit-schakelaar
6. 3/8" (9,5 mm) vierkante gereedschapshouder
7. Richtingsschakelaar
9. Vergrendelhendel
10. Knop LED-indicatielampjes accu
11. LED-indicatielampjes accu
12. Lader
13. LED-indicatielampjes lader

### 3. MONTAGE



Verwijder de accu voordat u werkzaamheden aan het elektrisch gereedschap gaat uitvoeren.



De accu moet voor het eerste gebruik worden opgeladen.

#### De accu in het apparaat plaatsen ( Afb. B)



Verzekert dat de buitenzijde van de accu schoon en droog is voordat u de accu in de lader of het apparaat plaatst.

1. Steek de accu (2) in de onderkant van het apparaat, zoals wordt getoond in Afb. B.
2. Duw de accu verder naar voren totdat deze op z'n plaats klikt.

#### De accu uit het apparaat nemen ( Afb. B)

1. Duw op de ontgrendelingsknop (3) van de accu.
2. Haal de accu uit het apparaat, zoals wordt getoond in Afb. B.

#### Het controleren van de laadstatus van de accu ( Afb. C)

- U kunt de laadstatus van de accu controleren door kort op de knop (10) op de accu te drukken.
- De accu heeft 3 indicatielampjes die de laadstatus aanduiden, hoe meer lampjes er branden, des te meer lading de accu nog heeft.
- Wanneer de lampjes niet branden, betekent dit dat de accu leeg is en de accu onmiddellijk moet worden opgeladen.

#### De accu opladen met de lader (Afb. C)

1. Neem de accu (2) uit de machine.
2. Draai de accu (2) ondersteboven en schuif de accu in de lader (12), zoals wordt getoond in Afb. C.
3. Duw de accu aan tot deze geheel in de sleuf is geduwd.
4. Steek de stekker van de lader in een stopcontact en wacht een ogenblik. Het LED-indicatielampje op de machine (13) gaat aan en geeft de laadstatus aan.

De lader heeft 2 LED-indicatielampjes (13) die de status van het laadproces aangeven:

Rood LED Status	Groen LED Status	Lader - Status
Uit	Uit	Geen voeding
Uit	Aan	Stand-bymodus: - Geen accu geplaatst, of, - Accu is geplaatst, maar het laden is voltooid
Aan	Uit	Bezig met het laden van de accu

- Het volledig opladen van de 2Ah-accu kan tot 60 minuten in beslag nemen.
- Het volledig opladen van de 4Ah accu kan tot 120 minuten in beslag nemen.

Als de accu volledig is opgeladen, trekt u de stekker van de lader uit het stopcontact en neemt u de accu uit de lader.



Wanneer de machine gedurende langere tijd niet wordt gebruikt, kunt u de accu het beste in geladen toestand opbergen.

#### Verwijderen en plaatsen van de hulpstukken

- Schakel de machine uit.
- Verwijder de slagmoersleutel uit de gereedschapshouder (6), indien aanwezig.
- Klik een nieuwe slagmoersleutel in de gereedschapshouder (6).
- Controleer of de slagmoersleutel op de juiste manier werd bevestigd.
- Om de slagmoersleutel te verwijderen, hoeft u deze alleen maar uit te trekken.

### 4. GEBRUIK

#### Het apparaat in- en uitschakelen (Afb. A)

Met de aan/uit-schakelaar (5) schakelt u de machine in en stelt u de rotatiesnelheid af.

- Door op de aan/uit-schakelaar (5) te drukken schakelt u het apparaat in, hoe verder u de schakelaar duwt, des te sneller draait de slagmoersleutel.
- Door de aan/uit-schakelaar (5) los te laten, stopt het apparaat.

- Om te voorkomen dat de schakelaar (5) per ongeluk wordt ingedrukt, is de vergrendelhendel (9) voorzien. Als de vergrendelhendel in de vergrendelstand staat, kan de schakelaar niet ingedrukt worden. Als de vergrendel in de niet vergrendelde stand staat, kan de schakelaar ingedrukt worden.



*Leg het apparaat pas neer wanneer deze volledig tot stilstand is gekomen. Niet op een stoffig oppervlak plaatsen, omdat er stofdeeltjes in het mechanisme terecht kunnen komen.*

### De draairichting instellen (Afb. A)

- Zet de knop voor de draairichting (7) op de stand 'F' om schroeven of moeren in te draaien.
- Zet de knop voor de draairichting (7) op de stand 'R' om schroeven of moeren te verwijderen.

### Werklamp (Afb. A)

De machine is uitgerust met een werklamp (4) om de werkomgeving te verlichten.

- Deze lamp wordt automatisch ingeschakeld wanneer de aan/uit-schakelaar wordt ingedrukt.
- Deze lamp wordt automatisch uitgeschakeld wanneer de aan/uit-schakelaar weer wordt vrijgegeven.

## 5. ONDERHOUD



*Voorafgaand aan het reinigen en het onderhoud dient het apparaat te allen tijde uitgeschakeld te worden en moet de accu uit het apparaat worden genomen.*

Maak de behuizing van de machine regelmatig schoon met een zachte doek, bij voorkeur na ieder gebruik. Verzeker dat de de ventilatieopeningen vrij zijn van stof en vuil.

Verwijder hardnekkig vuil met een zachte doek, vochtig gemaakt met een zeepoplossing. Gebruik geen oplosmiddelen zoals benzine, alcohol, ammoniak, enzovoorts. Chemicaliën zoals deze kunnen de synthetische componenten beschadigen.

## MILIEU



*Niet goed functionerende en/of afgedankte elektrische of elektronische apparaten moeten bij de juiste inzamelpunten voor recycling worden aangeboden.*

### Alleen voor landen in de EG

Gooi geen elektrisch gereedschap bij het huisvuil. Volgens de Europese richtlijnen 2012/19/EC voor Afgedankte Elektrische en Elektronische apparatuur en de implementatie daarvan in nationaal recht, moet elektrische gereedschap dat niet meer bruikbaar is, apart worden ingezameld en op een milieuvriendelijke wijze worden verwerkt.

## GARANTIE

Producten van VONROC worden op basis van de hoogste kwaliteitsnormen ontwikkeld en zijn gegarandeerd vrij van defecten, zowel voor wat betreft het materiaal als de afwerking, gedurende de door de wet bepaalde periode, startend vanaf de datum van de originele aankoop. Mocht het product gedurende deze periode enige storingen vertonen als gevolg van gebrekkig materiaal en/of gebrekkige afwerking, dient direct contact met VONROC opgenomen te worden.

De volgende omstandigheden zijn uitgesloten van deze garantie:

- Reparatie en/of wijzigingen die door en niet erkend servicecentrum aan de machine werd/ werden aangebracht of waartoe een poging werd ondernomen;
- Normale slijtage;
- Het gereedschap werd misbruikt, verkeerd werd gebruikt en/of onjuist werd onderhouden;
- Niet-originele reserveonderdelen werden gebruikt.

Dit betreft de enige garantie die door de organisatie, impliciet of expliciet, wordt aangeboden. Geen andere garanties, impliciet noch expliciet, die verder strekken dan deze garantie, inclusief de impliciete garanties inzake de verkoopbaarheid en geschiktheid voor een specifiek doel. In geen geval zal VONROC aansprakelijk zijn voor incidentele schade of gevolgschade. De oplossingen van de dealers zullen beperkt zijn tot de reparatie of het vervangen van niet-conforme eenheden of onderdelen.

**Het product en de gebruiksaanwijzing kunnen worden gewijzigd. Specificaties kunnen zonder voorafgaande kennisgeving worden gewijzigd.**

## 1. CONSIGNES DE SÉCURITÉ

Veillez à lire les avertissements de sécurité, les avertissements supplémentaires de sécurité ainsi que toutes les instructions jointes. Le non-respect des avertissements de sécurité et des consignes peut entraîner des décharges électriques, des incendies et/ou de graves blessures. Conservez tous les avertissements et toutes les instructions liées à la sécurité afin de pouvoir vous y référer dans le futur.

Les symboles qui suivent sont utilisés dans la notice d'utilisation ou sur le produit :



Lisez la notice d'utilisation.



Indique un risque de blessure, de décès ou de détérioration de l'outil en cas de non-respect des consignes de la présente notice.



Risque de décharge électrique.



Vitesse variable électronique.



N'utilisez pas l'appareil sous la pluie.



À utiliser à l'intérieur uniquement.



Machine de classe II - À double isolation - Aucune liaison à la terre n'est nécessaire.



Fusible miniature avec temporisateur.



Température maxi 45°C.



Ne jetez pas la batterie au feu.



Ne jetez pas la batterie dans l'eau.



Portez une protection oculaire.



Portez des protections auditives.



Ne jetez pas le produit de façon inappropriée.



Recyclez la batterie Li-Ion.



Le produit est conforme aux normes de sécurité en vigueur des directives européennes.

### AVERTISSEMENTS DE SÉCURITÉ GÉNÉRALE PROPRES AUX OUTILS ÉLECTRIQUES



**AVERTISSEMENT !** Veillez à lire tous les avertissements sur la sécurité et toutes les instructions. Le non-respect des avertissements et des instructions peut entraîner des décharges électriques, des incendies et/ou de graves blessures.

**Conservez tous les avertissements et toutes les instructions afin de pouvoir vous y référer dans le futur.**

Le terme "outil électrique" dans les avertissements fait référence à votre outil électrique alimenté sur secteur (avec fil) ou votre outil électrique alimenté sur batterie (sans fil).

#### 1) Sécurité de la zone de travail

- a) **Maintenez la zone de travail propre et bien éclairée.** Les zones sombres ou encombrées sont propices aux accidents.
- b) **N'utilisez pas d'outils électriques dans un environnement présentant des risques d'explosion ou en présence de liquides, gaz ou poussières inflammables.** Les outils électriques créent des étincelles qui peuvent enflammer les poussières et les fumées.
- c) **Maintenez les enfants et les autres personnes éloignés lorsqu'un outil électrique est en marche.** Toute distraction peut vous faire perdre le contrôle de l'outil.

#### 2) Sécurité électrique

- a) **Les prises des outils électriques doivent correspondre à la prise de courant murale. Ne modifiez jamais la prise d'aucune sorte. N'utilisez aucun adaptateur avec des outils électriques reliés à la terre.** L'utilisation de prises d'origine et de prises murales appropriées permet de réduire le risque de décharge électrique.
- b) **Évitez tout contact physique avec des surfaces reliées à la terre comme des tuyaux, des radiateurs, des fours et des réfrigérateurs par exemple.** Le risque de décharge électrique augmente lorsque votre corps est relié à la terre.
- c) **N'exposez pas les outils électriques à la pluie, ni à l'humidité.** Le risque de décharge élec-



trique augmente si de l'eau pénètre dans un outil électrique.

- d) **Ne tirez pas sur le cordon d'alimentation. N'utilisez jamais le cordon pour transporter, tirer ou débrancher l'outil électrique. Maintenez le cordon à l'écart de la chaleur, des substances grasses, des bords tranchants ou des pièces mobiles.** Les cordons endommagés ou emmêlés augmentent les risques de décharges électriques.
- e) **Si vous utilisez un outil électrique à l'extérieur, utilisez une rallonge homologuée pour les travaux à l'extérieur.** L'utilisation d'une rallonge électrique homologuée pour les travaux à l'extérieur réduit le risque de décharge électrique.
- f) **Si l'utilisation d'un outil électrique dans un endroit humide est inévitable, utilisez une alimentation électrique protégée par un disjoncteur différentiel à courant résiduel (DDR).** L'utilisation d'un DDR réduit le risque de décharge électrique.

### 3) Sécurité des personnes

- a) **Restez vigilant, surveillez ce que vous faites et faites preuve de bon sens lorsque vous utilisez un outil électrique. N'utilisez pas d'outils électriques si vous êtes fatigué ou sous l'influence de drogue, d'alcool ou de médicaments.** Tout moment d'inattention pendant l'utilisation d'un outil électrique peut engendrer de graves blessures.
- b) **Portez des équipements de protection individuelle. Veillez à toujours porter une protection oculaire.** Les équipements de protection comme les masques à poussière, les chaussures de sécurité antidérapantes, les casques ou les protections auditives réduisent le risque de blessures s'ils sont utilisés à bon escient.
- c) **Empêchez tout démarrage intempestif. Veillez à ce que l'interrupteur soit sur la position Arrêt avant de raccorder l'outil à l'alimentation électrique et/ou au bloc-batterie ou avant de ramasser ou de transporter l'outil.** Le fait de transporter les outils électriques le doigt sur l'interrupteur ou d'alimenter les outils électriques dont l'interrupteur est déjà en position de marche augmente le risque d'accidents.
- d) **Retirez toutes les clés ou pinces de réglage avant de mettre l'outil en marche.** Une clé ou une pince restée fixée sur une pièce rotative de l'outil électrique peut engendrer des blessures.

- e) **Ne vous penchez pas. Gardez les pieds bien ancrés au sol et conservez votre équilibre en permanence.** Cela permet de mieux maîtriser l'outil électrique en cas de situations imprévues.
- f) **Portez des vêtements appropriés. Ne portez aucuns vêtements amples, ni bijoux. Gardez vos cheveux, vos vêtements et vos gants éloignés des pièces mobiles.** Les vêtements amples, les bijoux et les cheveux longs peuvent se trouver pris dans les pièces mobiles.
- g) **Si vous disposez de dispositifs pour le raccordement d'un extracteur de poussière ou d'installations pour la récupération, assurez-vous qu'ils sont correctement raccordés et utilisés.** L'utilisation de dispositifs récupérateurs de poussière peut réduire les risques liés aux poussières.
- h) **Ne pensez pas être familiarisé avec l'outil après l'avoir utilisé à de nombreuses reprises, au point de ne plus rester vigilant et d'en oublier les consignes de sécurité.** Toute action imprudente peut entraîner de graves blessures en une fraction de seconde.

### 4) Utiliser et entretenir un outil électrique

- a) **Ne forcez pas sur l'outil. Utilisez l'outil électrique approprié, adapté pour le travail à réaliser.** Un outil adapté fonctionne mieux, de façon plus sûre et à la cadence pour laquelle il a été conçu.
- b) **N'utilisez pas l'outil électrique si l'interrupteur ne permet plus de le mettre en marche et de l'éteindre.** Tout outil électrique qui ne peut plus être commandé par son interrupteur est dangereux et il doit être réparé.
- c) **Débranchez la prise de courant et/ou retirez le bloc-batterie de l'outil électrique avant d'effectuer tout réglage, de changer un accessoire ou de ranger l'outil électrique.** Ces mesures de sécurité préventives réduisent le risque de démarrage accidentel de l'outil électrique.
- d) **Rangez les outils électriques non utilisés hors de portée des enfants et ne laissez aucune personne ne connaissant pas ces outils ou ces consignes les faire fonctionner.** Les outils électriques peuvent être dangereux entre des mains inexpérimentées.
- e) **Veillez à bien entretenir vos outils électriques. Vérifiez que les pièces mobiles sont alignées**

**correctement et qu'elles ne sont pas coincées. Vérifiez qu'aucune pièce n'est cassée et contrôlez l'absence de toute autre condition qui pourrait nuire au bon fonctionnement de l'outil. En cas de dommage, faites réparer l'outil électrique avant de le réutiliser.** De nombreux accidents sont provoqués par des outils électriques mal entretenus.

- f) **Maintenez les organes de coupe affûtés et propres.** Des organes de coupe bien entretenus et dont le tranchant est affûté sont moins susceptibles de rester coincés et ils sont plus faciles à contrôler.
  - g) **Utilisez les outils électriques, les accessoires et les embouts d'outil conformément à ces instructions, en tenant compte des conditions de travail, ainsi que du travail à effectuer.** L'utilisation d'un outil électrique à des fins autres que celles pour lesquelles il a été prévu engendre des situations dangereuses.
  - h) **Gardez les poignées et les surfaces de préhension sèches, propres et sans trace d'huile et de graisse.** Des poignées et des surfaces de préhension glissantes ne permettent pas de manipuler et de contrôler l'outil correctement en cas de situations inattendues.
- 5) Utilisation et entretien des outils fonctionnant sur batterie**
- a) **Veillez à n'effectuer la recharge qu'à l'aide du chargeur spécifié par le fabricant.** Un chargeur adapté pour un type de bloc-batterie peut occasionner un risque d'incendie s'il est utilisé avec un bloc-batterie différent.
  - b) **N'utilisez les outils électriques qu'avec les blocs-batteries qui leur sont dédiés.** L'utilisation d'autres blocs-batteries peut créer un risque de blessures et d'incendie.
  - c) **Lorsque le bloc-batterie n'est pas utilisé, éloignez-le des objets métalliques comme les trombones, les pièces, les clés, les clous, les vis ou les autres petits objets qui pourraient créer un contact entre les deux bornes.** La mise en court-circuit des bornes d'une batterie peut provoquer des brûlures ou un incendie.
  - d) **Dans des conditions extrêmes, du liquide peut être éjecté de la batterie. Évitez tout contact. En cas de contact accidentel, rincez à l'eau. En cas de contact avec les yeux, consultez en plus un médecin.** Le liquide sortant de la batterie peut provoquer des irritations ou des brûlures.

- e) **N'utilisez pas un bloc-batterie ou un outil qui est endommagé ou qui a été modifié.** Une batterie endommagée ou altérée peut avoir un comportement imprévisible qui peut conduire à un incendie, une explosion ou un risque de blessure.
  - f) **N'exposez pas le bloc-batterie ou l'outil au feu ou à des températures excessives.** L'exposition au feu ou à des températures dépassant 130 °C peut provoquer une explosion. REMARQUE La température de "130°C" équivaut à la température de "265°F".
  - g) **Respectez toutes les instructions liées à la charge et ne rechargez pas le bloc-batterie ou l'outil en dehors de la plage de températures spécifiée dans les instructions.** Une charge mal effectuée ou à des températures hors de la plage spécifiée peut endommager la batterie et augmente le risque d'incendie.
- 6) Service**
- a) **Ne faites réviser/réparer votre outil électrique que par un réparateur qualifié qui n'utilise que des pièces de rechange d'origine.** Cela permet de garantir la sûreté de l'outil électrique.
  - b) **Ne réparez jamais des blocs-batteries endommagés.** Les réparations sur les blocs-batteries ne doivent être effectuées que par le fabricant ou l'un de ses prestataires de services agréés.
  - c) **Si le câble d'alimentation du chargeur est endommagé, il doit être remplacé par le fabricant, l'un de ses prestataires de services ou toute autre personne disposant des mêmes qualifications afin d'éviter tout risque.**

#### **AVERTISSEMENTS DE SÉCURITÉ SUPPLÉMENTAIRES PROPRES AUX CLÉS À CLIQUET SANS FIL**

1. Tenez l'outil électrique par ses surfaces de préhension isolées, lorsque vous effectuez des opérations au cours desquelles la fixation peut entrer en contact avec des fils cachés. Tout contact d'une fixation avec un fil sous tension peut mettre les parties métalliques exposées de l'outil sous tension et provoquer une décharge électrique à l'utilisateur.
2. Tenez l'outil fermement.
3. Veillez toujours à garder une posture stable. Veillez à ce que personne ne se trouve au-dessous de vous quand vous utilisez l'outil en hauteur.

4. Portez des protections auditives.
5. Contrôlez soigneusement l'absence d'usure, de fissures et de dommages sur la douille avant de l'installer.
6. Gardez vos mains à l'écart des pièces rotatives.
7. Ne touchez pas la tête du cliquet, la douille, le boulon, l'écrou ou l'ouvrage, immédiatement après une période d'utilisation. Ils peuvent être extrêmement chauds et pourraient vous brûler.

**AVERTISSEMENTS DE SÉCURITÉ CONCERNANT LA BATTERIE**

- a) **N'ouvrez pas la batterie.** Risque de court-circuit.
- b) **Protégez la batterie de la chaleur, des rayons directs du soleil continu et intenses, du feu, de l'eau et de l'humidité.** Risque d'explosion.
- c) **En cas de dommage ou de mauvaise utilisation, la batterie peut émettre des vapeurs. Aérez la zone et faites appel à un médecin en cas d'affection.** Les vapeurs peuvent irriter le système respiratoire.
- d) **N'utilisez la batterie qu'avec votre produit Vonroc.** Cette seule mesure permet de protéger la batterie des surcharges dangereuses.
- e) **La batterie peut être endommagée par des objets pointus comme des clous ou des embouts de tournevis ou si elle subit une force extérieure excessive.** Un court-circuit interne est alors possible et la batterie peut alors s'enflammer, fumer, exploser ou surchauffer.

**AVERTISSEMENTS DE SÉCURITÉ CONCERNANT LE CHARGEUR**

**Utilisation prévue**

Avec ce chargeur ne rechargez que les blocs-batteries rechargeables CD801AA et CD803AA. Les autres types de batteries peuvent éclater et provoquer des blessures ou des dommages.

- a) **L'appareil ne doit pas être utilisé par des personnes (y compris des enfants) aux capacités physiques, sensorielles ou intellectuelles réduites ou qui manquent d'expérience et de connaissances, moins qu'elles ne soient supervisées ou qu'elles n'aient été formées.**
- b) **Les enfants doivent être surveillés pour garantir qu'ils ne jouent pas avec l'équipement.**
- c) **Ne rechargez jamais des piles non rechargeables !**
- d) **Pendant la charge, les batteries doivent être placées dans un endroit bien aéré !**

**Sécurité électrique**



*Contrôlez toujours que la tension de l'alimentation électrique correspond à la tension mentionnée sur la plaque signalétique.*

- N'utilisez pas la machine si son cordon électrique ou la prise sont endommagés.
- N'utilisez que des rallonges appropriées, adaptées à la puissance nominale de la machine et de 1,5 mm<sup>2</sup> de section minimum. Si vous utilisez une rallonge sur un enrouleur, veillez à complètement dérouler le câble.

**2. INFORMATIONS SUR LA MACHINE**

**Utilisation prévue**


La machine est destinée à serrer et desserrer des vis et des boulons mais aussi des écrous à la condition de respecter les caractéristiques techniques. Les domaines d'utilisation principaux sont le secteur automobile, les constructions métalliques ou encore les travaux de charpente. L'appareil n'est pas destiné à servir de perceuse.


**CARACTÉRISTIQUES TECHNIQUES**




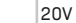
*Cette notice a été élaborée pour plusieurs kits / numéros d'articles différents. Consultez les numéros d'articles dans le tableau ci-dessous pour connaître la composition exacte de votre set.*

N° de modèle	Batteries fournies	Chargeurs fournis
<b>RW501DC</b>	-	-
<b>S_RW501DC</b>	CD801AA	CD802AA
<b>S2_RW501DC</b>	2 x CD801AA	CD802AA
<b>S3_RW501DC</b>	CD803AA	CD802AA

Informations sur la machine	
Tension nominale	20V 
Régime à vide	0-260/min
Mandrin	Mandrin carré 3/8"
Couple maxi	50 Nm
Poids	1,2 kg
Classe IP	IPX0
Niveau de pression sonore $L_{PA}$	75,2 dB(A) K=3dB(A)
Niveau de puissance sonore $L_{WA}$	86,2dB(A), K=3dB(A)
Vibrations	2,069 m/s <sup>2</sup> K=1,5 m/s <sup>2</sup>

N° de modèle	CD801AA
Type de batterie	Lithium-Ion
Tension	20V 
Capacité	2.0 Ah
Chargeur recommandé	CD802AA
Poids	0,3 kg

N° de modèle	CD802AA
Entrée chargeur	220-240V, 50Hz 0,4A
Sortie chargeur	21V  2,5A
Durée de charge batterie 2Ah	60 minutes
Durée de charge batterie 4Ah	120 minutes
Batteries recommandées	CD801AA, CD803AA
Poids	0,36 kg

N° de modèle	CD803AA
Type de batterie	Lithium-Ion
Tension	20V 
Capacité	4.0 Ah
Chargeur recommandé	CD802AA
Poids	0,65 kg

N'utilisez que les batteries suivantes de la plateforme Batterie VONROC VPOWER 20V. L'utilisation de toute autre batterie pourrait provoquer de graves blessures ou endommager l'outil.  
 CD801AA 20V, 2Ah Lithium-Ion  
 CD803AA 20V, 4Ah Lithium-Ion

Le chargeur suivant peut être utilisé pour recharger ces batteries.

CD802AA Chargeur rapide

Les batteries de la plateforme Batterie VONROC VPOWER 20V sont interchangeables pour tous les outils de la plateforme Batterie VONROC VPOWER 20V.

### Niveau de vibrations

Le niveau de vibrations émises déclaré dans cette notice a été mesuré selon un test normalisé énoncé dans la norme EN 62841. Il peut servir pour comparer un outil avec un autre et pour une évaluation préliminaire de l'exposition aux vibrations quand l'outil est utilisé comme mentionné.

- L'utilisation de l'outil pour des applications différentes ou avec des accessoires différents ou mal entretenus peut considérablement augmenter le niveau d'exposition.
- Les durées pendant lesquelles l'outil est éteint ou qu'il fonctionne à vide peuvent considérablement réduire le niveau d'exposition.

Veillez à vous protéger contre les effets des vibrations en entretenant correctement l'outil et ses accessoires, en gardant vos mains au chaud et en adaptant votre rythme de travail.

### PRÉSENTATION

Les numéros dans le texte renvoient aux diagrammes des pages 2 à 3.

1. Machine
2. Batterie
3. Bouton de libération de la batterie
4. Éclairage de travail
5. Interrupteur Marche/Arrêt
6. Mandrin carré 3/8" (9,5 mm)
7. Bouton de réglage du sens de rotation
9. Levier de verrouillage
10. Bouton pour les voyants de la batterie
11. Voyants de la batterie
12. Chargeur
13. Voyants du chargeur

### 3. ASSEMBLAGE



Avant d'intervenir d'une quelconque façon sur l'outil électrique, retirez la batterie.



La batterie doit être chargée avant la première utilisation.

**Installer la batterie dans la machine (Fig. B)**



Veillez à ce que l'extérieur de la batterie soit propre et sec avant de la raccorder au chargeur ou à la machine.

1. Insérez la batterie (2) dans la base de la machine comme illustré par la Fig. B.
2. Enfoncez la batterie jusqu'à ce qu'elle s'enclenche en place.

**Retirer la batterie de la machine (Fig. B)**

1. Enfoncez la bouton de libération de la batterie (3).
2. Tirez la batterie hors de la machine, comme illustré par la Fig. B.

**Contrôler le niveau de charge de la batterie (Fig. C)**

- Pour contrôler le niveau de charge de la batterie appuyez brièvement sur le bouton (10) sur la batterie.
- La batterie intègre 3 voyants qui indiquent le niveau de charge. Plus il y a de voyants allumés, plus le niveau de charge restant est élevé.
- Si les voyants ne s'allument pas, cela indique que la batterie est vide et qu'elle doit être rechargée immédiatement.

**Recharger la batterie à l'aide du chargeur (Fig. C)**

1. Retirez la batterie (2) de la machine.
2. Retournez la batterie (2) et glissez-la dans le chargeur (12), comme illustré par la Fig. C.
3. Enfoncez la batterie jusqu'à ce qu'elle soit entièrement dans la fente.
4. Branchez la prise du chargeur dans une prise de courant et patientez un moment. Les voyants sur le chargeur (13) s'allument et indiquent l'état du chargeur.

**Le chargeur intègre deux voyants (13) qui indiquent le statut de la procédure de charge :**

État du VOYANT rouge	État du VOYANT vert	État du chargeur
Éteint	Éteint	Pas d'alimentation électrique
Éteint	Allumé	Mode Veille : - Batterie absente ou, - Batterie présente et la charge est terminée
Allumé	Éteint	Batterie en cours de charge

- La charge complète de la batterie 2Ah peut prendre jusqu'à 60 minutes.
- La charge complète de la batterie 4Ah peut prendre jusqu'à 120 minutes.

Une fois la batterie complètement rechargée, retirez la prise du chargeur de la prise murale et retirez la batterie du chargeur.



Si la machine n'est pas utilisée pendant une certaine durée, il est préférable de ranger la batterie complètement rechargée.

**Retirer et installer les accessoires**

- Éteignez la machine.
- Retirez la douille du mandrin (6), le cas échéant.
- Insérez la nouvelle douille dans le mandrin (6).
- Contrôlez que la douille est correctement fixée.
- Pour retirer la douille, tirez simplement dessus.

**4. UTILISATION**

**Allumer et éteindre la machine (Fig. A)**

L'interrupteur Marche/Arrêt (5) sert à allumer la machine et à régler la vitesse de rotation.

- Appuyer sur l'interrupteur Marche/Arrêt (5) permet d'activer la machine. Plus l'interrupteur est enfoncé, plus la rotation est rapide.
- Relâcher l'interrupteur Marche/Arrêt (5) permet d'éteindre la machine.
- Le levier de verrouillage (9) permet d'empêcher l'enfoncement accidentel de l'interrupteur (5). Lorsque le levier de verrouillage est en position

de verrouillage, il est impossible d'actionner l'interrupteur. Lorsque le levier de verrouillage est en position de déverrouillage, l'interrupteur peut être actionné.



*Ne reposez l'outil que lorsqu'il est à l'arrêt complet. Ne le posez pas sur une surface poussiéreuse car des particules de poussière pourraient pénétrer dans le mécanisme.*

#### Régler le sens de rotation (Fig. A)

- Réglez le bouton de réglage du sens de rotation (7) sur 'F' pour visser des vis ou des écrous.
- Réglez le bouton de réglage du sens de rotation (7) sur 'R' pour dévisser des vis ou des écrous.

#### Éclairage de travail (Fig. A)

La machine est équipée d'un éclairage de travail (4) qui permet d'éclairer la zone de travail.

- L'éclairage de travail s'allume automatiquement lorsque l'interrupteur Marche/Arrêt est enfoncé.
- L'éclairage de travail s'éteint automatiquement lorsque l'interrupteur Marche/Arrêt est relâché.

## 5. MAINTENANCE



*Avant toute opération de nettoyage ou de maintenance, éteignez toujours la machine et retirez-en le bloc-batterie.*

Nettoyez régulièrement le corps de la machine à l'aide d'un chiffon doux et de préférence après chaque utilisation. Veillez à ce que les ouvertures de ventilation restent exemptes de poussière et de saletés. Supprimez les taches tenaces à l'aide d'un chiffon doux légèrement humidifié avec une solution savonneuse. N'utilisez aucun solvant, essence, alcool, ammoniaque, etc. car ces produits chimiques peuvent endommager les composants synthétiques.

## ENVIRONNEMENT



*Les appareils électriques et électroniques défectueux ou en fin de vie doivent être rapportés dans des sites de recyclage appropriés.*

#### Pour les pays de la Communauté Européenne uniquement

Ne pas jeter les outils électriques avec les déchets ménagers. Conformément à la Directive Européenne 2012/19/CE relative à l'élimination des déchets électriques et électroniques et sa transposition dans la législation nationale, les outils électriques inutilisables doivent être collectés séparément et être jetés de façon écologique.

## GARANTIE

Les produits VONROC sont développés avec les normes de qualité les plus hautes et ils sont garantis pour être exempts de défaut de pièces et de main d'œuvre pour la durée stipulée par la loi et à compter de la date d'achat initiale. Si, au cours de cette période, le produit devait rencontrer une quelconque panne due à un défaut de pièce ou de main d'œuvre, contactez VONROC directement.

Les conditions suivantes sont exclues de la garantie :

- Réparations ou modifications sur la machine, faites ou tentées par des réparateurs non agréés ;
- Usure normale ;
- Utilisation abusive ou incorrecte ou maintenance incorrecte de l'outil ;
- Utilisation de pièces détachées non d'origine.

Cela constitue l'unique garantie, explicite ou implicite, proposée par la société. Il n'existe aucune autre garantie, explicite ou implicite, qui puisse dépasser le cadre de la présente garantie, y compris les garanties implicites de qualité marchande et d'adaptation à un usage particulier. En aucun cas, VONROC ne saurait être tenu responsable pour les dommages accidentels ou consécutifs. Les recours des revendeurs sont limités à la réparation ou au remplacement des équipements ou des pièces non conformes.

**Le produit et la notice d'utilisation sont sujets à modifications. Les caractéristiques peuvent être modifiées sans notification préalable.**

## 1. INSTRUCCIONES DE SEGURIDAD

Lea las advertencias de seguridad, las advertencias de seguridad adicionales y las instrucciones adjuntas. Si no respeta las advertencias de seguridad y las instrucciones, pueden ocasionarse descargas eléctricas, incendios y/o lesiones graves. Guarde las advertencias de seguridad y las instrucciones para su futura consulta.

En el manual de usuario y en el producto se emplean los siguientes símbolos:



Lea el manual de usuario.



Denota riesgo de lesiones personales, muerte o daños al calefactor en caso de incumplimiento de las instrucciones del presente manual.



Riesgo de descarga eléctrica.



Velocidad electrónica variable.



No utilizar bajo la lluvia.



Solo para uso en interiores.



Máquina de clase II - Doble aislamiento - No requiere enchufe de puesta a tierra.



Minifusible de acción retardada.



Temperatura máx. 45 °C.



No arroje la batería al fuego.



No arroje la batería al agua.



Use protectores oculares.



Utilice protectores auditivos.



No tire el producto en contenedores inadecuados.



Efectúe la recogida selectiva de la batería de iones de litio.



El producto es conforme a las normas de seguridad aplicables según las directivas europeas.

### ADVERTENCIAS GENERALES DE SEGURIDAD PARA HERRAMIENTAS ELÉCTRICAS



**ADVERTENCIA.** Lea todas las advertencias de seguridad y todas las instrucciones. Si no respeta las advertencias de seguridad y las instrucciones, pueden ocasionarse descargas eléctricas, incendios y/o lesiones graves.

#### Guarde todas las advertencias y las instrucciones para su futura consulta.

Por "herramienta eléctrica" en las advertencias se entiende la herramienta alimentada por la red (con cable) o la herramienta alimentada a batería (sin cable).

#### 1) Seguridad en el área de trabajo

- a) **Mantenga el área de trabajo limpia y bien iluminada.** Las áreas desordenadas u oscuras favorecen los accidentes.
- b) **No utilice herramientas eléctricas en atmósferas explosivas, como en presencia de líquidos, gases o polvos inflamables.** Las herramientas eléctricas generan chispas que pueden encender el polvo o los humos.
- c) **Mantenga alejados a los niños y a otras personas cuando utilice una herramienta eléctrica.** Las distracciones pueden causar pérdidas de control.

#### 2) Seguridad eléctrica

- a) **Los enchufes de las herramientas eléctricas deben coincidir con la toma de corriente. Nunca modifique el enchufe de ningún modo. No utilice ningún enchufe adaptador con las herramientas eléctricas con toma de tierra (puesta a masa).** Los enchufes no modificados y las tomas de corriente que correspondan reducen el riesgo de descarga eléctrica.
- b) **Evite el contacto del cuerpo con superficies conectadas a tierra o puestas a masa, como tubos, radiadores, cocinas y refrigeradores.** Existe un mayor riesgo de descarga eléctrica si su cuerpo está conectado a tierra o puesto a masa.
- b) **No esponga las herramientas eléctricas a la lluvia ni a la humedad.** Si entra agua en una

herramienta eléctrica, aumenta el riesgo de descarga eléctrica.

- d) **No maltrate el cable. No utilice nunca el cable para transportar, tirar o desencharlar la herramienta eléctrica. Mantenga el cable alejado del calor, el aceite, los cantos vivos y las piezas móviles.** Los cables dañados o enredados aumentan el riesgo de descarga eléctrica.
- e) **Cuando utilice una herramienta eléctrica en exteriores, utilice un cable prolongador adecuado para uso en exteriores.** Usar un cable adecuado para exteriores reduce el riesgo de descarga eléctrica.
- f) **Si el uso de una herramienta eléctrica en un entorno húmedo es inevitable, utilice un suministro protegido con un dispositivo diferencial residual (DDR).** El uso de un DDR reduce el riesgo de descarga eléctrica.

### 3) Seguridad personal

- a) **Esté atento, tenga cuidado con lo que hace y aplique el sentido común cuando utilice una herramienta eléctrica. No utilice herramientas eléctricas si está cansado o bajo el efecto de drogas, alcohol o medicamentos.** Un momento de desatención mientras utiliza las herramientas eléctricas puede causar lesiones personales graves.
- b) **Use equipo de protección individual. Use siempre protectores oculares.** Los equipos de protección, como la mascarilla antipolvo, el calzado de seguridad antideslizante, el casco o la protección auditiva, utilizados en las condiciones adecuadas, reducen las lesiones corporales.
- c) **Evite arranques involuntarios. Compruebe que el interruptor esté en la posición de apagado antes de conectar la herramienta a la fuente de alimentación y/o a la batería, y antes de cogerla o transportarla.** Transportar herramientas eléctricas con el dedo puesto sobre el interruptor o enchufarlas con el interruptor encendido puede causar accidentes.
- d) **Retire cualquier llave de ajuste o llave de tuercas antes de encender la herramienta eléctrica.** Si se deja cualquier tipo de llave puesta en una pieza giratoria de la herramienta eléctrica, pueden producirse lesiones personales.
- e) **No se estire demasiado. Mantenga una posición firme y equilibrada en todo momento.**

Así tendrá un mejor control de la herramienta eléctrica en situaciones imprevistas.

- f) **Vístase de forma adecuada. No use prendas sueltas ni joyas. Mantenga el cabello, la ropa y los guantes alejados de las piezas móviles.** La ropa suelta, las joyas o el cabello largo pueden quedar atrapados en las piezas móviles.
  - g) **Si se proporcionan dispositivos para la conexión de aparatos de extracción y recogida de polvo, compruebe que estos estén conectados y que se utilicen correctamente.** El uso de aparatos de recogida de polvo puede reducir los riesgos relacionados con el polvo.
  - h) **No permita que la familiaridad adquirida con el uso frecuente de las herramientas le haga confiarse e ignorar los principios de seguridad de las herramientas.** Una acción descuidada puede causar lesiones graves en una fracción de segundo.
- ### 4) Uso y cuidado de la herramienta eléctrica
- a) **No fuerce la herramienta eléctrica. Utilice la herramienta eléctrica correcta para su aplicación.** Usar la herramienta eléctrica correcta y al ritmo para el que esta ha sido diseñada permite hacer mejor el trabajo y con más seguridad.
  - b) **No utilice la herramienta eléctrica si no se puede encender o apagar con el interruptor.** Cualquier herramienta eléctrica que no pueda ser controlada con el interruptor es peligrosa y debe ser reparada.
  - c) **Desconecte el enchufe de la fuente de alimentación y/o quite la batería de la herramienta eléctrica antes de hacer cualquier ajuste, cambiar los accesorios o guardar la herramienta eléctrica.** Estas medidas de seguridad preventivas reducen el riesgo de que la herramienta eléctrica se ponga en marcha accidentalmente.
  - d) **Guarde las herramientas eléctricas inactivas fuera del alcance de los niños y no permita que las utilicen las personas no familiarizadas con las herramientas eléctricas o con estas instrucciones.** Las herramientas eléctricas son peligrosas en manos de usuarios no capacitados.
  - e) **Efectúe el mantenimiento de las herramientas eléctricas. Compruebe si las piezas móviles están desalineadas o agarradas, si hay piezas rotas o cualquier otra condición que pueda afectar al funcionamiento de la herramienta.** En caso de que la herramienta esté dañada, hágala



**reparar antes de usarla.** Muchos accidentes son causados por herramientas eléctricas mal mantenidas.

- f) **Mantenga las herramientas de corte afiladas y limpias.** Las herramientas de corte bien mantenidas y con bordes de corte afilados tienen menos probabilidades de atascarse y son más fáciles de controlar.
  - g) **Utilice la herramienta eléctrica, los accesorios y las brocas, etc., de acuerdo con estas instrucciones, teniendo en cuenta las condiciones de trabajo y el trabajo a realizar.** El uso de la herramienta eléctrica para operaciones diferentes a las previstas puede causar situaciones peligrosas.
  - h) **Mantenga las empuñaduras y las superficies de agarre secas, limpias y libres de aceite y grasa.** Las asas y las superficies de agarre resbaladizas no permiten un manejo y control seguros de la herramienta en situaciones inesperadas.
- 5) Uso y cuidado de la herramienta de batería**
- a) **Recargue el aparato solo con el cargador especificado por el fabricante.** Un cargador apto para un tipo de batería puede ocasionar riesgo de incendio si se usa con otra batería.
  - b) **Use las herramientas eléctricas solo con la batería especialmente diseñada.** El uso de cualquier otra batería puede ocasionar riesgo de lesiones e incendios.
  - c) **Cuando no use la batería, manténgala alejada de otros objetos metálicos tales como grapas de papel, monedas, llaves, clavos, tornillos u otros objetos metálicos pequeños que puedan poner en conexión los terminales entre sí.** Poner en cortocircuito los terminales de la batería puede ocasionar quemaduras o incendios.
  - d) **En condiciones de uso indebido, la batería puede perder líquido, evite el contacto. En caso de contacto accidental, aclare con agua. Si el líquido entra en contacto con los ojos, consulte a un médico.** El líquido que expulsa la batería puede causar irritaciones o quemaduras.
  - e) **No utilice una batería o una herramienta que esté dañada o modificada.** Las baterías dañadas o modificadas pueden presentar un comportamiento impredecible y provocar un incendio, una explosión o riesgo de lesiones.
  - f) **No exponga una batería o una herramienta al fuego o a temperatura excesiva.** La exposición al fuego o a temperaturas superiores a 130

°C puede provocar una explosión. **NOTA** La temperatura "130 °C" puede sustituirse por la temperatura "265 °F".

- g) **Siga todas las instrucciones de carga y no cargue la batería o la herramienta fuera del intervalo de temperatura especificado en las instrucciones.** La carga incorrecta o a temperaturas fuera del intervalo especificado puede causar daños a la batería y aumentar el riesgo de incendio.
- 6) Reparaciones**
- a) **Haga reparar su herramienta eléctrica por una persona cualificada, usando solo piezas de repuesto idénticas.** Esto garantiza que se mantenga la seguridad de la herramienta eléctrica.
  - b) **Nunca repare las baterías dañadas.** El mantenimiento de las baterías debe ser realizado solo por el fabricante o los proveedores de servicio autorizados.
  - c) **Si el cable del cargador se daña, debe ser sustituido por el fabricante, un taller de reparación autorizado u otros técnicos cualificados, para evitar peligros.**

#### **ADVERTENCIAS DE SEGURIDAD ADICIONALES PARA LLAVES DE CARRACA SIN CABLE**

1. Sujete la herramienta eléctrica por las superficies de agarre aisladas cuando realice una operación en la que la fijación pueda entrar en contacto con cables ocultos. Si la fijaciones tocan un cable bajo tensión pueden hacer que las partes metálicas expuestas de la herramienta eléctrica se carguen y causan una descarga eléctrica al operador.
2. Sujete la herramienta con firmeza.
3. Asegúrese siempre de adoptar una buena postura. Asegúrese de que no haya nadie debajo cuando utilice la herramienta en lugares altos.
4. Use protectores auditivos.
5. Antes de la instalación, compruebe que el vaso de impacto no esté desgastado, agrietado ni dañado.
6. Mantenga las manos alejadas de las piezas giratorias.
7. No toque el cabezal de la llave de carraca, el vaso de impacto, el perno, la tuerca ni la pieza de trabajo inmediatamente después de un uso prolongado. Pueden estar extremadamente calientes y podrían causarle quemaduras en su piel.

## ADVERTENCIAS DE SEGURIDAD PARA LA BATERÍA

- No abra la batería.** Peligro de cortocircuito.
- Proteja la batería del calor, p. ej., de la luz solar intensa continua, los incendios, el agua y la humedad.** Peligro de explosión.
- En caso de daño y de uso incorrecto de la batería, esta puede emitir vapores. Ventile el área y consulte a un médico si se siente mal.** Los vapores pueden irritar el sistema respiratorio.
- Utilice la batería solo junto con su producto Vonroc.** Esta medida protege la batería de sobrecargas peligrosas.
- La batería puede sufrir daños ocasionados por objetos puntiagudos tales como clavos o destornilladores o por fuerzas aplicadas externamente.** Puede producirse un cortocircuito interno que dé lugar a que la batería se incendie, emita humo, explote o se caliente en exceso.

## ADVERTENCIAS DE SEGURIDAD PARA EL CARGADOR

### Uso previsto

Cargue solo las baterías recargables de tipo CD801AA y CD803AA con el cargador. Otros tipos de baterías pueden estallar y causar lesiones y daños.

- El aparato no debe ser usado por personas (incluidos niños) con capacidad física, sensorial o mental reducida, o que no tengan experiencia o conocimiento suficientes, salvo que hayan sido capacitadas o estén bajo supervisión.**
- Controle que los niños no jueguen con el aparato.**
- ¡No recargue baterías no recargables!**
- Durante la carga, ¡las baterías deben dejarse en un lugar bien ventilado!**

### Seguridad eléctrica



*Compruebe siempre que la tensión de alimentación coincida con la tensión indicada en la placa de datos.*

- No utilice la máquina si el cable de alimentación o el enchufe de red está dañado.
- Utilice solo cables prolongadores adecuados a la potencia nominal de la máquina, con un grosor mínimo de 1,5 mm<sup>2</sup>. Si utiliza un cable prolongador en carrete, desenrolle siempre todo el cable.

## 2. INFORMACIÓN SOBRE LA MÁQUINA

### Uso previsto

La máquina está destinada a introducir y aflojar tornillos y pernos, así como a apretar y aflojar tuercas respetando los datos técnicos. El entorno principal es el sector de la automoción, la construcción metálica o los trabajos de techado. El dispositivo no ha sido diseñado para taladrar.


### ESPECIFICACIONES TÉCNICAS





*Esta manual ha sido redactado para diferentes números de juegos / artículos. Compruebe el número de artículo correspondiente en la siguiente tabla de especificaciones para conseguir la composición y el contenido correctos de su juego.*

Modelo n.º	Baterías incluidas	Cargadores incluidos
<b>RW501DC</b>	-	-
<b>S_ RW501DC</b>	CD801AA	CD802AA
<b>S2_ RW501DC</b>	2 x CD801AA	CD802AA
<b>S3_ RW501DC</b>	CD803AA	CD802AA

Información de la máquina	
Tensión nominal	20 V
Velocidad sin carga	0-260/min
Portaherramienta	Portaherramienta cuadrado de 3/8"
Par de apriete máx.	50 Nm
Peso	1,2 kg
Clase IP	IPX0
Nivel de presión acústica L <sub>PA</sub>	75,2 dB(A) K=3 dB(A)
Nivel de potencia acústica L <sub>WA</sub>	86,2 dB(A), K= 3 dB(A)
Vibración	2,069 m/s <sup>2</sup> K=1.5 m/s <sup>2</sup>

<b>Modelo n.º</b>	<b>CD801AA</b>
Tipo de batería	iones de litio
Voltaje	20 V 
Capacidad	2,0 Ah
Cargador recomendado	CD802AA
Peso	0,3 kg

<b>Modelo n.º</b>	<b>CD802AA</b>
Entrada del cargador	220-240 V, 50 Hz 0,4 A
Salida del cargador	21 V  2,5 A
Tiempo de carga batería 2 Ah	60 minutos
Tiempo de carga batería 4 Ah	120 minutos
Baterías recomendadas	CD801AA, CD803AA
Peso	0,36 kg

<b>Modelo n.º</b>	<b>CD803AA</b>
Tipo de batería	iones de litio
Voltaje	20 V 
Capacidad	4,0 Ah
Cargador recomendado	CD802AA
Peso	0,65 kg

Use solo las siguientes baterías de la plataforma de baterías VONROC VPOWER 20V. El uso de cualquier otra batería puede causar lesiones graves o dañar la herramienta.

CD801AA 20 V, 2 Ah, iones de litio  
 CD803AA 20 V, 4 Ah, iones de litio

Para cargar estas baterías se puede utilizar el siguiente cargador de batería.

CD802AA Cargador rápido

Las baterías de la plataforma de baterías VONROC VPOWER 20 V son intercambiables con todas las herramientas de la plataforma de baterías VONROC VPOWER de 20 V.

**Nivel de vibración**

El nivel de emisión de vibraciones indicado en este manual de instrucciones ha sido medido según una prueba estándar proporcionada EN 62841, que puede utilizarse para comparar una herramienta con otra y como valoración preliminar de la exposi-

ción a las vibraciones al utilizar la herramienta para los usos indicados.

- Usar la herramienta para otros trabajos o con accesorios diferentes o escasamente mantenidos, puede aumentar significativamente el nivel de exposición.
- Cuando la herramienta está apagada o cuando está en funcionamiento pero no está realizando ninguna tarea, el nivel de exposición puede reducirse considerablemente.

Protéjase contra los efectos de las vibraciones haciendo el mantenimiento a la herramienta y a sus accesorios, manteniendo las manos calientes y organizando patrones de trabajo.

**DESCRIPCIÓN**

Los números del texto se refieren a los diagramas de las páginas 2-3.

1. Máquina
2. Batería
3. Botón de desbloqueo de la batería
4. Luz de trabajo
5. Interruptor de Encendido/Apagado
6. Portaherramienta cuadrado de 3/8" (9,5 mm)
7. Interruptor de dirección
9. Palanca de bloqueo
10. Botón de indicadores LED de batería
11. Indicadores de LED de la batería
12. Cargador
13. Indicadores de LED del cargador

**3. MONTAJE**



Antes de realizar cualquier trabajo en la herramienta eléctrica, extraiga la batería.



Hay que cargar la batería antes del primer uso.

**Colocación de la batería en la máquina (Fig. B)**



Compruebe que el exterior de la batería esté limpio y seco antes de conectarla al cargador o a la máquina.

1. Inserte la batería (2) en la base de la máquina como se muestra en la Fig. B.
2. Pulse la batería más hacia delante hasta que haga clic en su sitio.

**Extracción de la batería de la máquina (Fig. B)**

1. Presione el botón de desbloqueo de la batería (3).
2. Extraiga la batería de la máquina como se muestra en la Fig. B.

**Comprobación del estado de carga de la batería (Fig. C)**

- Para comprobar el estado de carga de la batería, pulse brevemente el botón (10) de la batería.
- La batería tiene 3 luces que indican el nivel de carga, cuantas más luces estén encendidas, más carga tiene la batería.
- Cuando las luces están apagadas significa que la batería está vacía y debe cargarse inmediatamente.

**Carga de la batería con el cargador (Fig. C)**

1. Extraiga la batería (2) de la máquina.
2. Dé vuelta la batería (2) y deslícela en el cargador (12) como se muestra en la Fig. C.
3. Empuje la batería hasta que quede totalmente colocada en la ranura.
4. Enchufe el enchufe del cargador en una toma de corriente y espere a que se cargue. Los indicadores de LED del cargador (13) se encenderán y mostrarán el estado del cargador.

**El cargador tiene 2 indicadores de LED (13) que indican el estado del proceso de carga:**

Estado del LED rojo	Estado del LED verde	Estado del cargador
Apagado	Apagado	Sin energía
Apagado	Encendido	Modo de espera: - No hay ninguna batería insertada, o - se ha insertado la batería, pero ha finalizado el proceso de carga.
Encendido	Apagado	Carga de la batería en curso

- La carga completa de la batería de 2 Ah puede llevar hasta 60 minutos.
- La carga completa de la batería de 4 Ah puede llevar hasta 120 minutos.

Cuando la batería esté totalmente cargada, desenchufe el enchufe del cargador de la toma de corriente y extraiga la batería del cargador.



*Si la máquina no se utiliza durante un periodo de tiempo prolongado, es conveniente guardar la batería cargada.*

**Desmontaje y montaje de accesorios**

- Apague la máquina.
- Retire el vaso del portaherramienta (6), si lo hay.
- Haga clic en la nuevo vaso en el mandril (6).
- Compruebe si el vaso está correctamente conectado.
- Para retirar el vaso, basta con tirar de él.

**4. FUNCIONAMIENTO**

**Encendido y apagado de la máquina (Fig. A)**

El interruptor de encendido/apagado (5) se usa para activar la máquina y ajustar la velocidad de rotación.

- Al pulsar el interruptor de encendido/apagado (5) se activa la máquina, cuanto más se pulsa el interruptor, más veloz se vuelve el taladro.
- Al soltar el interruptor de encendido/apagado (5) se detiene la máquina.
- Para evitar pulsar accidentalmente el interruptor (5), se proporciona la palanca de bloqueo (9). Cuando la palanca de bloqueo está en la posición de bloqueo, el interruptor no se puede accionar. Cuando la palanca de bloqueo está en la posición de desbloqueo, la palanca de interruptor se puede accionar.



*Apoye la máquina solo cuando se haya detenido completamente. No la coloque sobre superficies polvorientas donde las partículas de polvo puedan entrar en el mecanismo.*

**Ajuste de la dirección de rotación (Fig. A)**

- Coloque el interruptor de dirección (7) en la posición para atornillar tornillos o tuercas.
- Coloque el interruptor de dirección (7) en la posición para sacar tornillos o tuercas.

**Luz de trabajo (Fig. A)**

La máquina está dotada de una luz de trabajo (4) para iluminar el lugar de trabajo.

- Se enciende automáticamente al pulsar el interruptor de encendido/apagado.
- Se apaga automáticamente al volver a soltar el interruptor de encendido/apagado.

**5. MANTENIMIENTO**

*Antes de realizar la limpieza y el mantenimiento, apague siempre la máquina y extraiga la batería de la máquina.*

Limpe periódicamente la carcasa del aparato con un paño suave, preferentemente después de cada uso. Compruebe que los orificios de ventilación estén libres de polvo y suciedad.

Elimine el polvo persistente utilizando un paño suave humedecido con agua y jabón. No use disolventes tales como gasolina, alcohol, amoníaco, etc. Tales productos químicos pueden dañar los componentes sintéticos.

**MEDIOAMBIENTE**

*Los aparatos eléctricos o electrónicos defectuosos y/o desechados deben recogerse en lugares de reciclado apropiado.*

**Solo para países de la Comunidad Europea**

No elimine las herramientas eléctricas como residuos domésticos. De acuerdo con la Directiva europea 2012/19/CE sobre residuos de aparatos eléctricos y electrónicos, y su transposición a las legislaciones nacionales, las herramientas eléctricas que ya no se utilizan deben recogerse por separado y eliminarse en modo ecológico.

**GARANTÍA**

Los productos VONROC han sido fabricados con los estándares de calidad más elevados y garantizamos que están exentos de defectos relacionados con los materiales y la mano de obra durante el período legalmente establecido a partir de la fecha de compra original. Si, durante este período, el producto presenta algún fallo de los materiales y/o la mano de obra, póngase en contacto directamente con VONROC.

Las siguientes circunstancias están excluidas de esta garantía:

- Si se han realizado o se ha intentado realizar reparaciones o alteraciones en la máquina por parte de centros de servicio no autorizados.
- Desgaste normal.
- La herramienta ha sido usada impropia, mal utilizada o mantenida incorrectamente;
- Si se han utilizado piezas de repuesto no originales.

Esta constituye la única garantía, expresa e implícita, ofrecida por la empresa. No existen otras garantías expresas ni implícitas distintas a la especificada en el presente documento, incluidas las garantías implícitas de comerciabilidad y de adecuación a un propósito particular. VONROC no será responsable bajo ninguna circunstancia de ningún daño incidental o consecuente. Los recursos de los distribuidores están limitados a la reparación o sustitución de las unidades o piezas no conformes.

**El producto y el manual de usuario están sujetos a variaciones. Las especificaciones pueden variar-se sin aviso previo.**

## 1. ISTRUZIONI DI SICUREZZA

Leggere le avvertenze di sicurezza allegate, le avvertenze di sicurezza aggiuntive e le istruzioni contenute in questo manuale. Il mancato rispetto delle avvertenze e istruzioni di sicurezza potrebbe dar luogo a scosse elettriche, incendi e/o lesioni personali gravi. Conservare le avvertenze di sicurezza e le istruzioni per riferimenti futuri.

I simboli riportati di seguito vengono utilizzati all'interno del manuale d'uso oppure sono indicati sul prodotto:



*Leggere il manuale d'uso.*



*Denota il rischio di lesioni personali, morte o danni all'elettrotensile in caso di mancata osservanza delle istruzioni contenute in questo manuale.*



*Rischio di scosse elettriche.*



*Velocità elettronica variabile.*



*Non esporre alla pioggia.*



*Solo per uso in ambienti chiusi.*



*Apparecchio di Classe II - Doppio isolamento - Non è necessario il collegamento a terra.*



*Fusibile miniaturizzato ritardato.*



*Temperatura massima 45 °C.*



*Non gettare la batteria nel fuoco.*



*Non gettare la batteria nell'acqua.*



*Indossare dispositivi di protezione per gli occhi.*



*Indossare protezioni acustiche.*



*Non smaltire il prodotto in contenitori non idonei.*



*Raccolta differenziata per la batteria agli ioni di litio.*



*Il prodotto è conforme alle norme di sicurezza applicabili ai sensi delle direttive europee vigenti.*

### AVVERTENZE DI SICUREZZA GENERALI RIGUARDANTI GLI ELETTROTENSILI



**AVVERTENZA! Leggere tutte le avvertenze di sicurezza e tutte le istruzioni.** La mancata osservanza delle avvertenze e delle istruzioni può dar luogo a scosse elettriche, incendi e/o lesioni personali gravi.

#### Conservare tutte le avvertenze e le istruzioni per riferimenti futuri.

Il termine "elettrotensile" che ricorre nelle avvertenze si riferisce a un dispositivo alimentato tramite la rete elettrica (con cavo) o a batteria (cordless).

#### 1) Sicurezza dell'area di lavoro

- Mantenere l'area di lavoro pulita e ben illuminata.** Gli ambienti disordinati o scarsamente illuminati favoriscono gli incidenti.
- Evitare di usare gli elettrotensili in ambienti esposti al rischio di esplosione, come ad esempio in presenza di liquidi, gas o polveri infiammabili.** Gli elettrotensili generano scintille che possono incendiare polveri o fumi.
- Tenere lontani bambini e altre persone presenti nelle vicinanze mentre si usa un elettrotensile.** Le distrazioni possono causare la perdita di controllo.

#### 2) Sicurezza elettrica

- La spina di un elettrotensile deve essere adatta alla presa di corrente. Non modificare la spina in alcun modo. Non utilizzare spine con adattatore per un elettrotensile dotato di messa a terra.** Per ridurre il rischio di scosse elettriche evitare di modificare le spine e utilizzare sempre prese di corrente appropriate.
- Evitare il contatto fisico con superfici collegate a terra, come tubi, radiatori, forni e frigoriferi.** Se il corpo dell'operatore è collegato a terra, il rischio di scosse elettriche aumenta.
- Non esporre gli elettrotensili alla pioggia o all'umidità.** Se dovesse penetrare dell'acqua all'interno di un elettrotensile il rischio di scosse elettriche aumenta.

- d) **Non utilizzare il cavo di alimentazione in modo improprio. Non spostare, tirare o scollegare mai l'elettrotensile dalla presa di corrente tirandolo dal cavo. Tenere il cavo di alimentazione lontano da fonti di calore, olio, bordi taglienti o parti in movimento.** Se il cavo di alimentazione è danneggiato o impigliato il rischio di scosse elettriche aumenta.
- e) **Quando un elettrotensile viene usato all'aperto, utilizzare unicamente prolunghe omologate per l'impiego all'esterno.** L'uso di un cavo idoneo per esterni riduce il rischio di scosse elettriche.
- f) **Se non è possibile evitare di utilizzare un elettrotensile in una zona umida, collegarsi a una rete elettrica protetta da un interruttore differenziale salvavita (RCD).** L'uso di un RCD riduce il rischio di scosse elettriche.
- 3) Sicurezza personale**
- a) **Quando si utilizza un elettrotensile evitare di distrarsi. È importante concentrarsi su quello che si sta facendo e usare il buon senso. Non utilizzare l'elettrotensile quando si è stanchi o sotto l'effetto di sostanze stupefacenti, alcol o medicinali.** Un solo attimo di distrazione durante l'uso di un elettrotensile potrebbe provocare gravi lesioni personali.
- b) **Indossare dispositivi di protezione individuale. Indossare sempre occhiali di sicurezza.** L'impiego di dispositivi di protezione individuale, quali mascherine antipolvere, calzature antinfortunistiche antiscivolo, elmetti di sicurezza o protezioni per l'udito, nelle condizioni opportune, consente di ridurre le lesioni personali.
- c) **Prevenire l'avvio accidentale. Accertarsi che l'interruttore di accensione/spengimento sia nella posizione di spegnimento, prima di collegare l'elettrotensile alla rete elettrica e/o alla batteria, di prenderlo in mano o di trasportarlo.** Per non esporsi al rischio di incidenti, non trasportare un elettrotensile tenendo le dita sull'interruttore di accensione/spengimento e non collegarlo a una fonte di alimentazione elettrica con l'interruttore in posizione di accensione.
- d) **Prima di accendere l'elettrotensile rimuovere eventuali chiavi o attrezzi di regolazione.** Un attrezzo di regolazione o una chiave inseriti in una parte rotante dell'elettrotensile possono provocare lesioni personali.
- e) **Non sbilanciarsi. Mantenere sempre un appoggio e un equilibrio adeguati.** In tal modo è possibile mantenere un migliore controllo dell'elettrotensile nelle situazioni impreviste.
- f) **Indossare indumenti adeguati. Non indossare abiti non aderenti o gioielli. Tenere i capelli, gli indumenti e i guanti lontano dalle parti mobili.** Abiti non aderenti, gioielli o capelli lunghi possono impigliarsi nelle parti in movimento.
- g) **Se gli elettrotensili sono provvisti di attacchi per il collegamento di dispositivi di aspirazione o di raccolta delle polveri, assicurarsi che essi siano installati e utilizzati correttamente.** L'impiego di dispositivi di aspirazione delle polveri può ridurre i pericoli legati alle stesse.
- h) **Non lasciare che la dimestichezza acquisita dall'uso frequente induca l'utilizzatore ad assumere comportamenti imprudenti e a ignorare i principi di sicurezza per l'elettrotensile.** Un'azione imprudente potrebbe provocare lesioni personali gravi in una frazione di secondo.
- 4) Uso e cura dell'elettrotensile**
- a) **Non forzare l'elettrotensile. Utilizzare l'elettrotensile corretto per il lavoro da svolgere.** L'elettrotensile corretto funziona meglio e in modo più sicuro, se utilizzato alla velocità per cui è stato progettato.
- b) **Non utilizzare l'elettrotensile se il rispettivo interruttore di accensione/spengimento non funziona.** Qualsiasi elettrotensile che non possa essere controllato tramite l'interruttore di accensione/spengimento è pericoloso e deve essere riparato.
- c) **Scollegare la spina dalla presa di corrente e/o il pacco batteria dall'elettrotensile prima di effettuare qualsiasi tipo di regolazione, cambiare gli accessori o riporlo.** Queste misure di sicurezza preventive riducono il rischio di azionare accidentalmente l'elettrotensile.
- d) **Quando non vengono usati, gli elettrotensili devono essere custoditi fuori dalla portata dei bambini. Non consentire l'uso dell'elettrotensile a persone inesperte o che non abbiano letto questo manuale di istruzioni.** Gli elettrotensili sono pericolosi in mano a persone inesperte.
- e) **Sottoporre gli elettrotensili a regolare manutenzione. Verificare che le parti mobili siano correttamente allineate e non inceppate, che non vi siano componenti rotti e che non sus-**

**sistano altre condizioni che possono compromettere il funzionamento dell'elettro utensile. Se l'elettro utensile è danneggiato farlo riparare prima dell'uso.** Molti incidenti sono provocati da elettro utensili non sottoposti a una corretta manutenzione.

- f) **Mantenere affilati e puliti gli utensili da taglio.** La manutenzione corretta degli utensili da taglio con bordi affilati riduce le probabilità di inceppamento e ne facilita il controllo.
  - g) **Utilizzare l'elettro utensile, gli accessori, le punte, ecc. in conformità a queste istruzioni, tenendo conto delle condizioni operative e del lavoro da eseguire.** L'utilizzo dell'elettro utensile per impieghi diversi da quelli previsti può provocare situazioni di pericolo.
  - h) **Mantenere le impugnature e le superfici di presa asciutte, pulite e libere da olio e grasso.** Impugnature e superfici di presa scivolose non consentono di maneggiare e controllare in sicurezza l'elettro utensile in situazioni impreviste.
- 5) Uso e cura dell'utensile a batteria**
- a) **Ricaricare la batteria esclusivamente con il caricabatterie specificato dal produttore.** Un caricabatterie adatto a un determinato tipo di pacco batteria può provocare il rischio di incendio se utilizzato con un pacco batteria diverso.
  - b) **Gli elettro utensili devono essere usati esclusivamente con i tipi di batterie specificatamente indicati.** L'uso di qualsiasi altro pacco batteria comporta il rischio di lesioni personali e d'incendio.
  - c) **Quando il pacco batteria non viene utilizzato, tenerlo lontano da oggetti metallici, come fermagli, monete, chiavi, chiodi, viti o altri piccoli oggetti di metallo, che potrebbero provocare un contatto dei terminali.** Se i morsetti della batteria vengono cortocircuitati potrebbero provocare ustioni o un incendio.
  - d) **In condizioni di sovraccarico, potrebbe fuoriuscire del liquido dalla batteria: evitare il contatto. In caso di contatto, sciacquare con abbondante acqua. Se il liquido dovesse venire a contatto con gli occhi, rivolgersi anche a un medico.** Il liquido fuoriuscito dalla batteria può causare irritazione o ustioni.
  - e) **Non utilizzare un pacco batterie o l'utensile se danneggiati o manomessi.** Pacchi batterie danneggiati o manomessi potrebbero avere comportamenti imprevisti con il rischio di incendiarsi,

si, esplodere o provocare lesioni a persone.

- f) **Non esporre un pacco batteria o l'utensile al fuoco o a temperature troppo elevate.** L'esposizione alle fiamme o a temperature superiori a 130 °C potrebbe provocare un'esplosione. NOTA: la temperatura di "130 °C" corrisponde a "265 °F".
  - g) **Seguire tutte le istruzioni per la ricarica e non ricaricare il pacco batterie o l'elettro utensile a temperature che non rientrino nell'intervallo specificato nelle istruzioni.** Una ricarica effettuata in maniera scorretta o a una temperatura che non rientra nell'intervallo di valori specificato, potrebbe danneggiare la batteria aumentando il rischio d'incendio.
- 6) Assistenza**
- a) **L'assistenza per l'elettro utensile deve essere prestata da un tecnico qualificato che utilizzi soltanto ricambi originali.** In tal modo viene garantita la sua sicurezza.
  - b) **Non tentare di riparare pacchi batterie danneggiati.** La riparazione dei pacchi batteria deve essere effettuata esclusivamente dal fabbricante o presso centri di assistenza autorizzati.
  - c) **Se il cavo di alimentazione il caricabatterie è danneggiato, deve essere sostituito dal fabbricante, da un tecnico dell'assistenza incaricato dallo stesso o da altro personale in possesso di una qualifica analoga, al fine di evitare rischi per la sicurezza.**

#### **AVVERTENZE DI SICUREZZA AGGIUNTIVE RIGUARDANTI LE CHIAVI A CRICCHETTO A BATTERIA**

1. Quando si esegue un'operazione in cui il dispositivo di fissaggio potrebbe venire a contatto con cavi nascosti afferrare l'elettro utensile dalle superfici di presa isolate. Se dispositivi di fissaggio venissero a contatto con un cavo sotto tensione potrebbero trasmettere la corrente anche alle parti metalliche esposte dell'elettro utensile, con il pericolo di provocare la folgorazione dell'operatore.
2. Tenere saldamente l'elettro utensile.
3. Mantenersi sempre con i piedi saldi a terra. Accertarsi che nessuno si trovi sotto di sé quando si utilizza l'elettro utensile in posizioni elevate.
4. Indossare protezioni acustiche.



5. Prima dell'installazione, controllare attentamente che la bussola per avvitatori a impulsi non sia usurata, incrinata o danneggiata.
6. Tenere le mani lontano dalle parti rotanti.
7. Non toccare la testa a cricchetto, la bussola, il bullone, il dado o il pezzo in lavorazione subito dopo l'uso della chiave per un lungo periodo. Potrebbero essere roventi e ustionare la pelle.

### AVVERTENZE DI SICUREZZA RIGUARDANTI LA BATTERIA

- a) **Non aprire la batteria.** Pericolo di cortocircuito.
- b) **Proteggere la batteria dal calore (come ad esempio dalla luce solare intensa), dal fuoco, dall'acqua e dall'umidità.** Pericolo di esplosione.
- c) **In caso di danni e uso improprio della batteria, potrebbero essere emessi dei vapori. Ventilare l'area e rivolgersi a un medico in caso di malessere.** I vapori possono irritare l'apparato respiratorio.
- d) **Utilizzare la batteria solo in combinazione con il prodotto Vonroc.** Questo accorgimento protegge la batteria da un sovraccarico pericoloso.
- e) **La batteria può essere danneggiata da oggetti appuntiti come chiodi o cacciaviti o da una forza applicata esternamente.** Vi è la possibilità che si verifichi un cortocircuito interno e che la batteria bruci, emetta del fumo, esploda o si surriscaldi.

### AVVERTENZE DI SICUREZZA PER IL CARICA-BATTERIE

#### Uso previsto

Ricaricare esclusivamente pacchi batteria di tipo CD801AA e CD803AA con il caricabatterie. Batterie di tipi diversi potrebbero esplodere provocando lesioni personali e danni.

- a) **L'elettro utensile non deve essere usato da persone di qualsiasi età con capacità fisiche, sensoriali o mentali ridotte o che non abbiano alcuna esperienza o conoscenza del prodotto, a meno che non siano sorvegliate o siano state istruite sul suo utilizzo.**
- b) **Accertarsi che i bambini non giochino con l'elettro utensile.**
- c) **Non ricaricare batterie non ricaricabili!**
- d) **Durante la ricarica porre le batterie in un luogo ben ventilato!**

### Sicurezza elettrica



*Verificare sempre che la tensione di alimentazione corrisponda alla tensione sulla targhetta dei valori nominali.*

- Non usare l'elettro utensile se il cavo di alimentazione o la spina sono danneggiati.
- Utilizzare solo cavi di prolunga adatti per la potenza nominale dell'elettro utensile, che abbiano uno spessore minimo di 1,5 mm<sup>2</sup>. Se si utilizza un cavo di prolunga con avvolgicavo, srotolare sempre il cavo completamente.

## 2. INFORMAZIONI RIGUARDANTI IL PRODOTTO

### Uso previsto


Questo prodotto è destinato all'inserimento e allentamento di viti e bulloni, oltre che al serraggio e allentamento di dadi, nel rispetto dei dati tecnici. Le applicazioni principali sono il settore automobilistico, la realizzazione di strutture metalliche e i lavori di copertura. Questo apparecchio non è destinato all'esecuzione di fori.


### DATI TECNICI

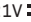



*Questo manuale d'uso è stato predisposto per diversi set / codici articolo. Verificare il codice articolo corrispondente nella tabella di sottostante per la composizione e i contenuti corretti per il proprio set.*

Codice modello	Batterie incluse	Caricabatterie inclusi
RW501DC	-	-
S_RW501DC	CD801AA	CD802AA
S2_RW501DC	2 x CD801AA	CD802AA
S3_RW501DC	CD803AA	CD802AA

<b>Dati tecnici</b>	
Tensione nominale	20 V 
Velocità a vuoto	0-260/min
Mandrino	3/8" attacco quadro
Coppia max.	50 Nm
Peso	1,2 kg
Classe di protezione IP	IPX0
Livello pressione sonora $L_{PA}$	75,2 dB(A) K = 3 dB(A)
Livello potenza sonora $L_{WA}$	86,2 dB (A) K = 3 dB (A)
Vibrazione	2,069 $m/s^2$ Incertezza K=1,5 $m/s^2$

<b>Codice modello</b>	<b>CD801AA</b>
Tipo di batteria	Ioni di litio
Tensione	20 V 
Capacità	2.0 Ah
Caricabatterie consigliato	CD802AA
Peso	0,3 kg

<b>Codice modello</b>	<b>CD802AA</b>
Ingresso del caricabatteria	220-240V, 50Hz 0.4A
Uscita del caricabatteria	21V  2.5A
Tempo di ricarica batteria 2Ah	60 minuti
Tempo di ricarica batteria 4Ah	120 minuti
Batterie consigliate	CD801AA, CD803AA
Peso	0,36 kg

<b>Codice modello</b>	<b>CD803AA</b>
Tipo di batteria	Ioni di litio
Tensione	20 V 
Capacità	4.0 Ah
Caricabatterie consigliato	CD802AA
Peso	0,65 kg

Utilizzare esclusivamente le batterie seguenti della piattaforma di batterie da 20 V VONROC VPOWER. L'uso di batterie diverse potrebbe causare gravi lesioni personali o danni all'elettrotensile. Batteria agli ioni di litio da 20 V, 2 Ah, CD801AA  
Batteria agli ioni di litio da 20 V, 4 Ah, CD803AA

Il caricabatterie seguente può essere usato per caricare queste batterie.

Caricabatterie rapido CD802AA

Le batterie della piattaforma di batterie da 20 V VONROC VPOWER sono intercambiabili con tutti gli elettrotensili a batterie della piattaforma da 20 V VONROC VPOWER.

#### **Livello di emissione di vibrazioni**

Il livello di emissione di vibrazioni indicato in questo manuale d'uso è stato misurato in base al test standardizzato previsto dalla normativa EN 62841; può essere utilizzato per confrontare vari apparecchi fra loro e come valutazione preliminare dell'esposizione alle vibrazioni quando si utilizza l'elettrotensile per le applicazioni menzionate.

- L'uso dell'elettrotensile per applicazioni o con accessori diversi o in condizioni di scarsa manutenzione potrebbe aumentare notevolmente il livello di esposizione alle vibrazioni.
- I momenti in cui l'elettrotensile è spento oppure è in funzione ma non viene effettivamente utilizzato per il lavoro, possono contribuire a ridurre il livello di esposizione.

Proteggersi contro gli effetti delle vibrazioni sottoponendo l'utensile e i relativi accessori a regolare manutenzione, cercare di mantenere calde le mani e organizzare opportunamente i turni di lavoro.

#### **DESCRIZIONE**

I numeri che compaiono nel testo si riferiscono alle figure riportate alle pagine 2-3.

1. Corpo macchina
2. Batteria
3. Pulsante di sblocco batteria
4. Luce di lavoro
5. Grilletto di azionamento/spengimento
6. Mandrino da 3/8" (9,5 mm) con attacco quadro
7. Selettore di direzione
9. Levetta di blocco
10. Pulsante per spie a LED batteria
11. Spie a LED batteria
12. Caricabatterie
13. Spie a LED caricabatterie

### 3. ASSEMBLAGGIO



Prima di compiere qualsiasi intervento sull'elettrotensile, rimuovere la batteria.



Prima del primo utilizzo, la batteria deve essere caricata.

#### Inserimento della batteria nell'elettrotensile (Fig. B)



Assicurarsi che la batteria sia pulita esternamente prima di collegarla al caricabatterie o all'elettrotensile.

1. Inserire la batteria (2) nella base dell'elettrotensile, come illustrato nella Fig. B.
2. Spingere avanti la batteria finché non scatterà in posizione.

#### Rimozione della batteria dall'elettrotensile (Fig. B)

1. Premere il pulsante di sblocco batteria (3).
2. Estrarre la batteria dalla macchina, come illustrato nella Fig. B.

#### Verifica dello stato di carica della batteria (Fig. C)

- Per verificare lo stato di carica della batteria, premere brevemente il pulsante (10) sulla batteria.
- La batteria presenta 3 spie che indicano il livello di carica: più spie sono accese più la batteria è carica.
- Se le spie non sono illuminate significa che la batteria è completamente scarica e deve essere ricaricata immediatamente.

#### Ricarica della batteria con il caricabatterie (Fig. C)

1. Rimuovere la batteria (2) dall'elettrotensile.
2. Capovolgere la batteria (2) e inserirla nel caricabatterie (12), come illustrato nella Fig. C.
3. Spingere la batteria finché si incastrerà nell'apposito alloggiamento.
4. Collegare la spina del caricabatterie a una presa elettrica e attendere un momento. Gli indicatori a LED sul caricabatterie (13) si illuminano e mostrano lo stato di carica della batteria.

Sul caricabatterie sono presenti 2 indicatori a LED (13) che mostrano lo stato del processo di carica:

Stato LED rosso	Stato LED verde	Stato caricabatterie
Spento	Spento	Corrente assente
Spento	Acceso fisso	Modalità standby: - nessuna batteria inserita oppure - batteria inserita ma ricarica terminata
Acceso fisso	Spento	In carica

- Per ricaricare completamente la batteria da 2 Ah possono essere necessari fino a 60 minuti.
- Per ricaricare completamente la batteria da 4 Ah possono essere necessari fino a 120 minuti.

Una volta ricaricata la batteria, rimuovere la spina del caricabatterie dalla presa di corrente e rimuovere la batteria dal caricabatterie.



Se si prevede che l'elettrotensile non verrà usato per molto tempo si consiglia di conservare le batterie cariche.

#### Installazione e rimozione degli accessori

- Spegnerne l'elettrotensile.
- Rimuovere la bussola dal mandrino (6), se presente.
- Installare a scatto la nuova bussola sul mandrino (6).
- Controllare che la bussola sia montata correttamente.
- Per rimuovere la bussola è sufficiente estrarla dal mandrino.

### 4. FUNZIONAMENTO

#### Accensione e spegnimento dell'elettrotensile (Fig. A)

L'interruttore di accensione/spegnimento (5) serve per mettere in funzione l'elettrotensile e regolare la velocità di rotazione.

- Premendo l'interruttore di accensione/spegnimento (5) l'elettrotensile si avvia. L'intensità di pressione dell'interruttore determina la velocità di rotazione dell'avvitatore.

- Rilasciando l'interruttore di accensione/spengimento (5) l'elettrotensile si arresta.
- Per evitare di premere accidentalmente il grilletto (5) la chiave è provvista di una levetta di blocco (9). Quando la levetta è in posizione di blocco, il grilletto non può essere azionato, mentre quando la levetta è in posizione di sblocco, è possibile azionare il grilletto.



*Appoggiare l'elettrotensile solamente quando si è arrestato completamente. Non collocarlo su una superficie impolverata in quanto le particelle di polvere potrebbero entrare nel meccanismo.*

#### Regolazione del senso di rotazione (Fig. A)

- Posizionare il selettore del senso di rotazione (7) su "F" per installare viti o dadi.
- Posizionare il selettore di direzione (7) su "R" per rimuovere viti o dadi.

#### Luce di lavoro (Fig. A)

L'elettrotensile è dotato di una lampada (4) per illuminare l'area di lavoro che:

- si accende automaticamente quando viene premuto il grilletto di azionamento/spengimento;
- si spegne automaticamente quando viene premuto il grilletto di azionamento/spengimento.

## 5. MANUTENZIONE



*Prima di eseguire qualsiasi operazione di pulizia e intervento di manutenzione, spegnere sempre l'elettrotensile e rimuovere la batteria.*

Pulire regolarmente il corpo dell'elettrotensile con un panno morbido, preferibilmente dopo ogni utilizzo. Assicurarsi che le prese d'aria siano libere da polvere e sporcizia.

Rimuovere lo sporco particolarmente ostinato con un panno morbido inumidito con acqua e sapone. Non utilizzare solventi come benzina, alcol, ammoniaca, ecc. Le sostanze chimiche di questo tipo danneggiano i componenti sintetici.

## PROTEZIONE DELL'AMBIENTE



*Le apparecchiature elettriche o elettroniche difettose e/o scartate devono essere conferite presso gli opportuni siti di riciclaggio.*

#### Solo per i Paesi CE

Non smaltire gli apparecchi elettrici insieme ai rifiuti domestici. Secondo la Direttiva europea 2012/19/EC sui rifiuti delle apparecchiature elettriche ed elettroniche e relativa implementazione nelle normative locali, gli elettrotensili ormai inutilizzabili devono essere raccolti separatamente e smaltiti in modo ecologico.

## GARANZIA

I prodotti VONROC sono sviluppati secondo gli standard di qualità più elevati e sono garantiti esenti da difetti sia per quanto riguarda i materiali che la lavorazione, per il periodo stabilito per legge a decorrere dalla data di acquisto iniziale. Se durante questo periodo il prodotto dovesse presentare dei difetti di materiali e/o di lavorazione, contattare direttamente VONROC.

Le seguenti circostanze sono escluse da questa garanzia:

- esecuzione o tentativo di esecuzione di riparazioni o modifiche all'elettrotensile da parte di personale di centri di assistenza non autorizzati;
- usura normale;
- maltrattamento, uso improprio o manutenzione inadeguata dell'apparecchio;
- impiego di ricambi non originali.

La presente costituisce l'unica garanzia espressa o implicita fornita dall'azienda. Non sono concesse altre garanzie, espresse o implicite, oltre a quelle descritte in questo manuale, ivi comprese le garanzie implicite di commerciabilità e di idoneità a uno scopo particolare. In nessun caso VONROC sarà ritenuta responsabile di alcun danno incidentale o consequenziale. I rimedi offerti dai rivenditori si limiteranno alla riparazione o alla sostituzione delle unità o dei componenti non conformi.

**Il prodotto e il manuale d'uso sono soggetti a modifiche. I dati tecnici possono essere modificati senza ulteriore notifica.**

## 1. SÄKERHETSANVISNINGAR

Läs de medföljande säkerhetsvarningarna, de kompletterande säkerhetsvarningarna och anvisningarna. Underlåtenhet att följa säkerhetsvarningarna och anvisningarna kan orsaka elstöt, brand och/eller allvarlig skada. Spara säkerhetsvarningarna och anvisningarna som framtida bruk.

Följande symboler används i användarhandboken eller på produkten:



Läs användarhandboken.



Anger risk för personskada, dödsfall eller skada på verktyget om anvisningarna i denna handbok inte följs.



Risk för elstöt.



Variabla elektroniska varvtal.



Använd inte i regn.



Använd endast inomhus.



Klass II-maskin - dubbel isolering - du behöver ingen jordad kontakt.



Länk till tidsfördröjd miniatyrsäkring.



Maxtemperatur 45°C.



Kasta inte batteriet i elden.



Kasta inte batteriet i vatten.



Använd skyddsglasögon.



Använd hörselskydd.



Kassera inte produkten i olämpliga containrar.



Separat återvinning av litiumjonbatteriet.



Produkten uppfyller gällande säkerhetsnormer i EU-direktiven.

## ALLMÄNNA SÄKERHETSFÖRESKRIFTER FÖR ELVERKTYG



**VARNING! Läs alla säkerhetsvarningar och alla anvisningar.** Underlåtenhet att följa varningar och instruktioner kan resultera i elstötar, brand och/eller allvarliga skador.

### Spara alla varningar och instruktioner för framtida referens.

Termen "elverktyg" i varningarna hänvisar till ditt elverktyg (med sladd) eller batteridrivet (sladdlöst) elverktyg.

#### 1) Arbetsplats säkerhet

- Håll arbetsplatsen ren och välbelyst.** Belamrade eller mörka områden inbjuder till olyckor.
- Använd inte elektriska verktyg i explosiva atmosfärer, såsom i närvaro av lättantändliga vätskor, gaser eller damm.** Elverktyg skapar gnistor som kan antända damm eller ångor.
- Håll barn och åskådare borta medan du arbetar med ett elverktyg.** Om du blir distraherad kan du tappa kontrollen.

#### 2) Elsäkerhet

- Verktygets elkontakt måste passa till vägguttaget. Ändra inte kontakten på något sätt. Använd inte adapterkontakter med jordade elverktyg.** Omodifierade kontakter och matchande uttag minskar risken för elektrisk stöt.
- Undvik kroppskontakt med jordade ytor såsom rör, värmelement, spisar och kylskåp.** Det finns en ökad risk för elektrisk stöt om din kropp är jordansluten eller jordad.
- Utsätt inte elektriska verktyg för regn eller väta.** Vatten som tränger in i ett elverktyg ökar risken för elstötar.
- Hantera inte elkabeln felaktigt. Använd aldrig sladden för att bära, dra eller koppla bort elverktyget från uttaget. Håll sladden borta från värme, olja, vassa kanter eller rörliga delar.** Skadade eller tilltrasslade sladdar ökar risken för elektrisk stöt.
- När du arbetar med ett elverktyg utomhus, använd en förlängningssladd som passar för utomhusanvändning.** Användning av en sladd som passar för utomhusanvändning minskar risken för elektrisk stöt.
- Om arbete med ett elverktyg i en fuktig lokal är oundvikligt, använd ett uttag som är skyddat**

med jordfelsbrytare. Användning av jordfelsbrytare minskar risken för elstötar.

### 3) Personlig säkerhet

- a) **Var uppmärksam, kontrollera vad du gör och använd sunt förnuft när du arbetar med ett elektriskt verktyg. Använd inte ett elverktyg när du är trött eller påverkad av droger, alkohol eller mediciner.** Ett ögonblicks ouppmärksamhet under arbetet kan resultera i allvarliga personskador.
  - b) **Använd personlig skyddsutrustning. Bär alltid ögonskydd.** Skyddsutrustning såsom dammfilterskydd, halksäkra säkerhetsskor, skyddshjälm eller hörselskydd som används för lämpliga förhållanden minskar personskador.
  - c) **Förebygg oavsiktlig igångsättning. Se till att strömbrytaren är i avstängd position innan anslutning till strömkällan och/eller batteriet, verktyget lyfts upp eller bärs.** Om du bär elverktyg med ditt finger på strömbrytaren eller ansluter ett påkopplat elverktyg till nätströmmen kan en olycka inträffa.
  - d) **Avlägsna eventuell justeringsnyckel eller skiftnyckel innan du sätter på elverktyget.** En skiftnyckel eller en nyckel som sitter kvar på en roterande del av elverktyget kan resultera i personskada.
  - e) **Böj dig inte för långt. Bibehåll alltid ordentligt fotfäste och balans.** Detta möjliggör bättre kontroll av elverktyget i oväntade situationer.
  - f) **Bär lämpliga kläder. Använd inte vida kläder eller smycken. Håll hår, kläder och handskar borta från rörliga delar.** Lösa kläder, smycken eller långt hår kan fastna i rörliga delar.
  - g) **Om enheten är försedd med anslutning av dammsug och uppsamlingsmöjlighet, se till att dessa är anslutna och används korrekt.** Dammupptagning minskar dammrelaterade risker.
  - h) **Låt inte erfarenheten som uppnås vid frekvent användning av verktyg låta dig bli för självsäker och ignorera verktygs säkerhetsprinciperna.** En oförsiktig handling kan orsaka allvarliga skador under bråkdelen av en sekund.
- 4) Användning och skötsel av elverktyg**
- a) **Bruka inte våld när du använder elverktyget. Använd rätt slags elektriska verktyg för ditt arbete.** Rätt elverktyg gör arbetet bättre och

säkrare vid den hastighet som det har konstruerats för.

- b) **Använd inte elverktyget om strömbrytaren inte sätter på och stänger av det.** Ett elverktyg som inte kan kontrolleras med strömbrytaren är farligt och måste repareras.
  - c) **Dra ur kontakten från strömkällan och/eller batteriet från elverktyget innan du gör några justeringar, byter tillbehör, eller lägger undan elverktygen för förvaring.** Sådana förebyggande säkerhetsåtgärder minskar risken för att elverktyget startar oavsiktligt.
  - d) **Förvara elverktyg oåtkomliga för barn och låt inte personer som är obekanta med verktyget eller dessa instruktioner använda verktyget.** Elektriska verktyg är farliga i händerna på oerfarna användare.
  - e) **Underhåll av elektriska verktyg. Kontrollera för feljustering eller om rörliga delar har fastnat, bristning hos delar och andra eventuella förhållanden som kan komma att påverka elverktygets funktion. Om det är skadat, se till att elverktyget blir reparerat före användning.** Många olyckor orsakas av dåligt underhållna elektriska verktyg.
  - f) **Håll kapverktyg vassa och rena.** Korrekt underhållna kapverktyg med vassa kanter är mindre troliga att kärva och lättare att kontrollera.
  - g) **Använd elverktyget, dess tillbehör och verktyg i enlighet med dessa instruktioner och under beaktande av arbetsförhållandena och det arbete som ska utföras.** Användningen av elverktyget för andra verksamheter än de som det är avsett för skulle kunna resultera i en farlig situation.
  - h) **Se till att handtagen är torra, rena och fria från olja och fett.** Hala handtag och greppytor tillåter inte säker hantering och kontroll av verktyget i oväntade situationer.
- 5) Användning och skötsel av batteridrivna verktyg**
- a) **Ladda endast med den laddare som är specificerad av tillverkaren.** En laddare som passar till en typ av batteri kan ge upphov till brandfara när den används tillsammans med ett annat batteri.
  - b) **Använd elverktygen enbart med det därtill avsedda batteriet.** Användning av andra batteri kan ge upphov till skaderisk och eldsvåda.

- c) När batteriet inte används, håll det borta från andra metallföremål, såsom gem, mynt, nycklar, spikar, skruvar eller andra små metallföremål som kan skapa en förbindelse från ena polen till den andra. Kortslutning av batteripolerna kan ge upphov till brännskador eller eldsvåda.
- d) Vid felaktig hantering kan vätska komma ut från batteriet, undvik kontakt med denna. Spola med vatten vid oavsiktlig kontakt. Sök läkarhjälp om vätskan kommer i kontakt med ögon. Vätska som kommer ut från batteriet kan orsaka irritation eller brännskada.
- e) Använd inte batterier eller verktyg som är skadade eller modifierade. Skadade eller modifierade batterier kan uppvisa oförutsägbart beteende som kan leda till brand, explosion eller risk för skada.
- f) Utsätt inte batteri eller verktyg för eld eller överdriven temperatur. Exponering för brand eller temperatur över 130 °C kan orsaka explosion. OBS! Temperaturen "130 °C" kan ersättas med temperaturen "265 °F".
- g) Följ alla laddningsanvisningar och ladda inte batteriet eller verktyget utanför det temperaturområde som anges i instruktionerna. Om du laddar batteriet felaktigt eller vid temperaturer utanför det angivna området kan det skada batteriet och öka risken för brand.
- 6) Service
- a) Se till att ditt elverktyg får service av en kvalificerad reparatör, som endast använder identiska ersättningsdelar. Detta säkerställer att elverktygets säkerhet upprätthålls.
- b) Utför aldrig service på skadade batterier. Service av batteri ska endast utföras av tillverkaren eller auktoriserade serviceleverantörer.
- c) Om en strömkabel är skadad måste den bytas av tillverkaren, tillverkarens serviceombud eller annan behörig personal för att undvika fara.

## KOMPLETTERANDE SÄKERHETSVARNINGAR FÖR SPÄRRNYCKLAR

- Håll elverktyget i de isolerade greppytorna när du utför en operation där fästelementet kan komma i kontakt med dolda ledningar. Fästelement som kommer i kontakt med en spänningsförande ledning kan göra att exponerade metalldelar på elverktyget strömförande och kan ge operatören en elektrisk stöt.
- Håll verktyget stadigt.

- Se alltid till att du har ett stadigt fotfäste. Se till att ingen är under när du använder verktyget på höga platser.
- Bär hörselskydd.
- Kontrollera slagghylsan noggrant för slitage, sprickor eller skador innan installation.
- Håll händerna borta från rörliga delar.
- Rör inte slagghylsan, bulten, muttern eller arbetsstycket omedelbart efter drift. De kan vara extremt varma och kan bränna din hud.

## SÄKERHETSVARNINGAR FÖR BATTERI

- Öppna inte batteriet. Risk för kortslutning.
- Skydda batteriet mot hetta, t.ex. mot kontinuerlig intensiv solstrålning, brand, vatten och fukt. Risk för explosion.
- Vid skada och felaktig användning av batteriet kan ångor läcka ut. Ventilera området och sök medicinsk hjälp vid besvär. Ångorna kan irritera andningssystemet.
- Använd endast batteriet i kombination med din Vonroc-produkt. Denna åtgärd ensamt skyddar batteriet mot farlig överbelastning.
- Batteriet kan skadas av vassa föremål såsom spikar eller skruvmejslar eller externa krafter. En intern kortslutning kan uppstå och batteriet kan brinna, avge rök, explodera eller överhettas.

## SÄKERHETSVARNINGAR FÖR LADDARE

### Avsedd användning

Ladda endast uppladdningsbara batterier av typen CD801AA och CD803AA med laddaren. Andra typer av batterier kan explodera och orsaka personskada och skada.

- Apparaten får inte användas av personer (inklusive barn) med nedsatt fysisk eller mental förmåga eller brist på erfarenhet och kunskap, såvida de inte övervakas eller instrueras.
- Barn ska övervakas så att de inte leker med apparaten.
- Ladda inte batterier som inte är uppladdningsbara!
- Batterierna måste placeras i ett väl ventilerat område under laddning!

### Elsäkerhet



Kontrollera alltid så att spänningen på nätet motsvarar den spänning som finns angiven på märkplåten.

- Använd inte maskinen om nätkabeln eller nätkontakten är skadad.
- Använd endast förlängningskablar som är lämpliga för maskinens effekt med en minsta tjocklek på 1,5 mm<sup>2</sup>. Om du använder en kabelvinda, rulla alltid ut kabeln helt.

## 2. MASKININFORMATION

### Avsedd användning

Maskinen är avsedd för att köra in och lossa skruvar och bultar samt för att dra åt och lossa muttrar med beaktande av tekniska data. Miljön är huvudsakligen inom fordonssektorn, för metallkonstruktioner eller takarbeten. Enheten är inte avsedd för borring.

### TEKNISKA SPECIFIKATIONER



*Denna handbok har tagits fram för olika uppsättningar / artikelnummer. Kontrollera motsvarande artikelnummer i specifikationstabellen nedan för korrekt sammanställning och innehåll i din uppsättning.*

Modell-nr	Batterier ingår	Laddare ingår
<b>RW501DC</b>	-	-
<b>S_ RW501DC</b>	CD801AA	CD802AA
<b>S2_ RW501DC</b>	2 x CD801AA	CD802AA
<b>S3_ RW501DC</b>	CD803AA	CD802AA

Maskininformation	
Nominell spänning	20 V
Varvtal utan belastning	0-260/min
Chuck	3/8" fyrkantchuck
Max. vridmoment	50 Nm
Vikt	1,2 kg
IP-klass	IPX0
Ljudtrycknivå L <sub>PA</sub>	75,2 dB(A) K=3 dB(A)
Ljudeffektnivå L <sub>WA</sub>	86,2 dB(A), K=3dB(A)
Vibration	2,069 m/s <sup>2</sup> K=1,5 m/s <sup>2</sup>

Modell-nr	CD801AA
Batterityp	Litiumjonteknik
Spänning	20 V
Kapacitet	2,0 Ah
Rekommenderad laddare	CD802AA
Vikt	0,3 kg

Modell-nr	CD802AA
Laddare in	220-240V, 50Hz 0,4A
Laddare ut	21V  2,5A
Laddningstid 2 Ah batteri	60 minuter
Laddningstid 4 Ah batteri	120 minuter
Rekommenderade batterier	CD801AA, CD803AA
Vikt	0,36 kg

Modell-nr	CD803AA
Batterityp	Litiumjonteknik
Spänning	20 V
Kapacitet	4,0 Ah
Rekommenderad laddare	CD802AA
Vikt	0,65 kg

Använd endast följande batterier från VONROC VPOWER 20V batteriplattform. Användning av andra batterier kan orsaka allvarliga skador eller skador på verktyget.

CD801AA 20V, 2Ah litiumjon  
CD803AA 20V, 4Ah litiumjon

Följande laddare kan användas för att ladda dessa batterier.

CD802AA snabbaddare

Batterierna från VONROC VPOWER 20V batteriplattform är utbytbara mellan alla VONROC VPOWER 20V batteriplattformens verktyg.

### Vibrationsnivå

Vibrationsutsläppsnivån som anges i denna bruksanvisning har uppmätts i enlighet med ett standardiserat test i EN 62841, som kan användas för att jämföra verktyg med varandra och som en preliminär bedömning av exponering för vibrationer när du använder verktyget för angivna arbeten.



- Användning av verktyget för andra tillämpningar, eller med olika eller dåligt underhållna tillbehör kan avsevärt öka exponeringsnivån.
- De gånger då verktyget stängs av eller är på men egentligen inte används kan minska exponeringsnivån betydligt.

Skydda dig mot effekterna av vibrationer genom att underhålla verktyget och dess tillbehör, hålla händerna varma och organisera ditt arbetsmönster.

## BESKRIVNING

Siffrorna i texten hänvisar till diagrammen på sidorna 2-3.

1. Maskin
2. Batteri
3. Upplåsningsknapp för batteriet
4. Arbetsljus
5. Strömbrytare
6. 3/8" fyrkantchuck (9,5 mm)
7. Riktningbrytare
9. Låsspak
10. Knapp för batteri-LED-indikatorer
11. Batteri-LED-indikatorer
12. Laddare
13. LED-laddningsindikering

## 3. MONTERING



*Ta bort batteriet innan du utför något arbete på elverktyget.*



*Batteriet måste laddas innan det används för första gången.*

### Insättning av batteriet i maskinen (fig. B)



*Se till att batteriets utsida är ren och torr innan du ansluter det till laddaren eller maskinen.*

1. Sätt in batteriet (2) i maskinens bas enligt fig. B.
2. Skjut batteriet framåt tills det klickar på plats.

### Borttagning av batteriet från maskinen (fig. B)

1. Tryck på batterilåsningsknappen (3).
2. Dra ut batteriet ur maskinen enligt fig. B.

### Kontroll av batteriets laddningsstatus (fig. C)

- Tryck kort på knappen (10) på batteriet för att kontrollera batteriets laddningsstatus.
- Batteriet har 3 lampor som indikerar laddningsnivån. Ju fler lampor som lyser, desto mer är batteriet laddat.
- När lamporna inte lyser betyder det att batteriet är tomt och måste laddas omedelbart.

### Laddning av batteriet med laddaren (fig. C)

1. Ta ut batteriet (2) från maskinen.
2. Vänd batteriet (2) upp och ner och tryck in det i laddaren (12) enligt fig. C.
3. Tryck in batteriet tills det kommer in i luckan helt.
4. Koppla in laddarens kontakt i ett eluttag och vänta en stund. Laddarens LED-indikering (13) kommer att lysa och visa laddningsstatusen.

### Laddaren har två laddningsindikeringslampor (13) som indikerar laddningsprocessens status:

Röd LED-status	Grön LED- status	Laddningsstatus
Av	Av	Ingen ström
Av	På	Standbyläge: - Inget batteri insatt eller - Batteriet är isatt men laddningen är klar
På	Av	Batteriladdning pågår

- Det kan ta upp till 60 minuter att fulladda 2 Ah-batteriet.
- Det kan ta upp till 120 minuter att fulladda 4 Ah-batteriet.

Ta ut laddningskontakten från uttaget och ta ut batteriet från laddaren när batteriet har fulladdats.



*När maskinen inte används under längre tid är det bäst att lagra batteriet i laddat tillstånd.*

### Demontering och montering av tillbehör

- Stäng av maskinen.
- Ta bort hylsan från chucken (6), om det finns en.
- Klicka på den nya hylsan på chucken (6).

- Kontrollera om hylsan är ordentligt fastsatt.
- För att ta bort hylsan, dra helt enkelt av den.

#### 4. DRIFT

##### Igångsättning och avstängning av verktyget (fig. A)

Växelbrytaren (5) används för aktivering av maskinen och justering av rotationshastigheten.

- Tryck på växelbrytaren (5) för att aktivera maskinen. Ju längre tid du trycker på brytaren, desto snabbare roterar borsten.
- Om du frigör växelbrytaren (5) stoppas maskinen.
- För att förhindra att strömbrytaren (5) trycks in av misstag finns låsspaken (9) med. När låsspaken är i låst läge kan strömbrytaren inte aktiveras. När låsspaken är i upplåst läge kan strömbrytaren aktiveras.



*Lägg endast ifrån dig maskinen när den helt har slutat köra. Placera den inte på dammiga ytor eftersom dammpartiklar kan tränga in i mekanismen.*

##### Justera rotationsriktning (fig. A)

- Sätt riktningbrytaren (7) till position "F" för att driva in skruvar eller muttrar.
- Sätt riktningbrytaren (7) till position "R" för att ta ut skruvar eller muttrar.

##### Arbetsbelysning (fig. A)

Maskinen är utrustad med en arbetsbelysning (4) som lyser upp arbetsstället.

- Den tänds automatiskt när strömbrytaren är intryckt.
- Den släcks automatiskt när strömbrytaren frigörs.

#### 5. UNDERHÅLL



*Stäng alltid av maskinen och ta ut batteriet från maskinen innan rengöring och underhåll.*

Rengör maskinens hus regelbundet med en mjuk trasa, helst efter varje gång du använder maskinen. Se till att ventilationsöppningarna är fria från damm och smuts.

Ta bort mycket ihållande smuts med en mjuk trasa fuktad med tvällösning. Använd inte lösningsmedel

som bensen, alkohol, ammoniak osv. Sådana kemikalier skadar de syntetiska komponenterna.

#### MILJÖ



*Felaktig och/eller kasserad elektrisk eller elektronisk utrustning måste lämnas in på lämpliga återvinningsstationer.*

##### Endast för EU-länder

Kassera inte elverktyg i hushållsavfall. Enligt den europeiska riktlinjen 2012/19/EG om kasserad elektrisk och elektronisk utrustning och dess tillämpning i nationell rätt måste elverktyg som inte längre är användbara samlas in separat och kasseras på ett miljövänligt sätt.

#### GARANTI

VONROC-produkter är utvecklade enligt högsta kvalitetsstandard och garanteras fria från defekter i både material och utförande under den period som lagen föreskriver från och med inköpsdatumet. Om produkten skulle utveckla fel under denna period på grund av defekt material och/eller utförande, kontakta då VONROC direkt.

Följande omständigheter är undantagna från denna garanti:

- Reparationer och/eller ändringar har gjorts eller försökts utföras på maskinen av obehöriga servicecenter;
- Normalt slitage;
- Verktyget har missbrukats, använts på fel sätt eller underhållits felaktigt;
- Reservdelar som inte är original har använts.

Detta utgör den enda garantin som företaget ger antingen uttryckt eller underförstått. Det finns inga andra garantier uttryckta eller underförstådda som sträcker sig bortom detta, inklusive de underförstådda garantierna för säljbarhet och lämplighet för ett visst syfte. Under inga omständigheter ska VONROC hållas ansvarigt för indirekta skador eller följdskador. Återförsäljarnas åtgärder ska begränsas till reparation eller byte av enheter eller delar som inte uppfyller kraven.

**Produkten och användarhandboken kan ändras. Specifikationerna kan ändras utan förvarning.**

## 1. SIKKERHEDSANVISNINGER

Læs de vedlagte sikkerhedsadvarsler, de yderligere sikkerhedsadvarsler og vejledningen. Hvis sikkerhedsadvarslerne og vejledningen ikke følges, kan det resultere i elektrisk stød, brand og/eller alvorlige personskader. Gem sikkerhedsadvarslerne og vejledningen til fremtidig brug.

Følgende symboler anvendes i brugervejledningen eller på produktet:



Læs brugervejledningen.



Angiver risiko for personskade, dødsfald eller beskadigelse af værktøjet i tilfælde af manglende overholdelse af anvisningerne i denne vejledning.



Risiko for elektrisk stød.



Variabel elektronisk hastighed.



Må ikke bruges i regnvejr.



Kun til indendørs brug.



Klasse II-maskine - Dobbeltisoleret - Du har ikke brug for et jordstik.



Tidsforskuet miniature sikringsindsats.



Maks. temperatur 45 °C.



Kast ikke batteriet ind i åben ild.



Kast ikke batteriet ned i vand.



Brug beskyttelsesbriller.



Bær høreværn.



Bortskaf ikke produktet i uegnede beholdere.



Separat aflevering af Li-ion batteri.



Produktet er i overensstemmelse med de gældende sikkerhedsstandarder i EU-direktiverne.

## GENERELLE SIKKERHEDSADVARSLER FOR ELVÆRKTØJ



**ADVARSEL! Læs alle sikkerhedsadvarsler og alle anvisninger.** Hvis advarslerne og vejledningen ikke følges, kan det resultere i elektrisk stød, brand og/eller alvorlige personskader.

### Gem alle advarsler og instruktioner til fremtidig brug.

Udtrykket "el-værktøj" i advarslerne refererer til dit strømdrevne el-værktøj (med ledning) eller dit batteridrevne el-værktøj (uden ledning).

#### 1) Sikkerhed på arbejdsområdet

- Hold arbejdsområdet rent og godt oplyst.** Der er risiko for ulykker på rodede eller mørke områder.
- Brug ikke el-værktøj i eksplosive atmosfærer, f.eks. i nærheden af brandfarlige væsker, gasser eller støv.** El-værktøj danner gnister, der kan antænde støv eller dampe.
- Hold børn og tilskuere væk, mens du bruger et el-værktøj.** Distractioner kan få dig til at miste kontrollen.

#### 2) El-sikkerhed

- Stik på el-værktøj skal passe til stikkontakten. Stikket må aldrig modificeres på nogen måde. Brug ikke adapterstik med jordforbundne (jordede) el-værktøj.** Umodificerede stik og tilsvarende stikkontakter reducerer risikoen for elektrisk stød.
- Undgå kropskontakt med jordede overflader, såsom rør, radiatorer, områder og køleskabe.** Der er en øget risiko for elektrisk stød, hvis din krop er jordet.
- El-værktøjer må ikke udsættes for regn eller våde omgivelser.** Vand, der trænger ind i et el-værktøj, vil øge risikoen for elektrisk stød.
- Misbrug ikke ledningen. Brug ikke ledningen til at bære, trække eller frakoble el-værktøjet. Hold ledningen væk fra varme, olie, skarpe kanter eller dele i bevægelse.** Beskadigede eller sammenfildrede ledninger øger risikoen for elektrisk stød.
- Når du betjener et el-værktøj udendørs, skal du bruge en forlængerledning, der er velegnet til udendørs brug, reducerer risikoen for elektrisk stød.**

- f) Hvis det ikke kan undgås at bruge et maskinværktøj i et fugtigt miljø, bør du anvende en forsyning, der er beskyttet af en fejlstrømsafbryder (RCD). Brugen af en RCD reducerer risikoen for elektrisk stød.
- 3) Personlig sikkerhed**
- a) Vær opmærksom, se hvad du laver, og brug din sunde fornuft, når du bruger et el-værktøj. Brug ikke et el-værktøj, når du er træt eller påvirket af stoffer, alkohol eller medicin. Et øjeblikvis uopmærksomhed under brug af el-værktøj kan resultere i alvorlig personskade.
- b) Brug personligt sikkerhedsudstyr. Bær altid øjenværn. Beskyttelsesudstyr såsom støvmaske, skridsikre sikkerhedssko, hjelm eller høreværn, der bruges til passende forhold, reducerer personskader.
- c) Undgå utilsigtet start. Sørg for, at kontakten er slukket, før du tilslutter strømkilden og/eller batteripakken, tager maskinen op eller bærer værktøjet. Hvis el-værktøj bæres med fingeren på kontakten, eller når el-værktøj strømføres med tændt kontakt, kan der nemt ske ulykker.
- d) Fjern en eventuel justeringsnøgle eller skruenøgle, inden du tænder for el-værktøjet. En skruenøgle eller en justeringsnøgle, der er fastgjort til en roterende del af el-værktøjet, kan resultere i personskade.
- e) Ræk dig ikke for langt. Hold altid et korrekt fodfæste og balancen. Dette giver bedre kontrol over el-værktøjet i uventede situationer.
- f) Klæd dig korrekt. Bær ikke løst tøj eller smykker. Hold dit hår, tøj og handsker væk fra bevægelige dele. Løst tøj, smykker eller langt hår kan sætte sig fast i bevægelige dele.
- g) Hvis der leveres enheder til tilslutning af støvudsugnings- og opsamlingsfaciliteter, skal du sikre, at disse er tilsluttet og bliver brugt korrekt. Brug af støvopsamling kan reducere støvrelaterede farer.
- h) Lad ikke kendskab opnået gennem hyppig brug af værktøj lade dig blive tilbagelænet og ignorere værktøjsikkerhedsprincipper. En skødesløs handling kan forårsage alvorlig personskade inden for en brøkdelen af et sekund.
- 4) Brug og pleje af el-værktøj**
- a) Tving ikke el-værktøjet. Brug det korrekte el-værktøj til din opgave. Det korrekte el-værktøj vil gøre et bedre stykke arbejde og vil være mere sikkert ved den hastighed, det var beregnet til.
- b) Brug ikke el-værktøjet, hvis kontakten ikke tænder og slukker. Ethvert el-værktøj, der ikke kan styres med kontakten, er farligt og skal repareres.
- c) Tag stikket ud af strømkilden og/eller fjern batteripakken fra el-værktøjet, før du foretager justeringer, skifter tilbehør eller opbevarer el-værktøjet. Disse forebyggende sikkerhedsforanstaltninger reducerer risikoen for at tænde el-værktøjet ved et uheld.
- d) Opbevar inaktivt el-værktøj uden for børns rækkevidde, og lad ikke personer, der ikke har kendskab til el-værktøjet eller disse instruktioner, betjene værktøjet. El-værktøjer er farlige i hænderne på utrænede brugere.
- e) Vedligehold el-værktøjer. Se efter forkert justering eller binding af bevægelige dele, ødelagte dele og enhver anden tilstand, der kan påvirke el-værktøjets drift. Hvis det er beskadedt, bør du få el-værktøjet repareret før brug. Mange ulykker forårsages af dårligt vedligeholdt el-værktøj.
- f) Hold skæreværktøj skarpt og rent. Korrekt vedligeholdt skæreværktøjer med skarpe skærekanter har mindre tilbøjelighed til at binde og er lettere at styre.
- g) Brug el-værktøj, tilbehør og værktøjsbor osv. i overensstemmelse med disse instruktioner under hensyntagen til arbejdsforholdene og det arbejde, der skal udføres. Brug af el-værktøjet til andet arbejde end det tilsigtede kan resultere i en farlig situation.
- h) Hold håndtag og gribeblader tørre, rene og fri fra olie og fedtstof. Glatte håndtag og gribeblader giver ikke mulighed for sikker håndtering og kontrol af værktøjet i uventede situationer.
- 5) Brug og pleje af værktøjsbatteri**
- a) Brug kun den oplader, der er specificeret af producenten, til opladning. En oplader, der er egnet til én type batteripakke, kan forårsage risiko for brand, når den anvendes med en anden batteripakke.
- b) Brug kun el-værktøj med specifikt udformede batteripakker. Brug af andre batteripakker kan resultere i risiko for personskader og brand.
- c) Når batteripakken ikke er i brug, skal den holdes væk fra andre metalgenstande, som f.eks. papirclips, mønter, nøgler, søm, skruer eller

**andre små metalgenstande, der kan skabe en forbindelse fra den ene terminal til den anden.**

Hvis batteriterminalerne kortslyttes, kan det forårsage forbrændinger eller en brand.

- d) **Ved forkert anvendelse kan der slippe væske ud af batteriet; undgå kontakt. Skyl med vand, hvis der skulle opstå kontakt ved et uheld. Søg derudover lægehjælp, hvis der kommer væske ind i øjnene.** Væske fra batteriet kan forårsage irritation eller forbrændinger.
- e) **Brug ikke en batteripakke eller et værktøj, der er beskadiget eller modificeret.** Beskadede eller modificerede batterier kan udvise uforudsigelig adfærd, hvilket resulterer i brand, eksplosion eller risiko for personskade.
- f) **Undlad at udsætte en batteripakke eller et værktøj for åben ild eller for høj temperatur.** Udsættelse for åben ild eller temperatur over 130 °C kan forårsage eksplosion. BEMÆRK Temperaturen „130 °C“ kan erstattes af temperaturen „265 °F“.
- g) **Følg alle opladningsinstruktioner, og oplad ikke batteripakken eller værktøjet uden for temperaturintervallet specificeret i instruktionerne.** Forkert opladning eller opladning ved temperaturer uden for det specificerede interval kan beskadige batteriet og øge risikoen for brand.

## 6) Service

- a) **Lad dit el-værktøj blive serviceeret af en kvalificeret reparatør, der kun bruger identiske reservedele.** Dette sikrer, at maskinværktøjet fortsat er sikkert at bruge.
- b) **Foretag aldrig service på beskadigede batteripakker.** Service af batteripakker bør kun udføres af producenten eller autoriserede serviceudbydere.
- c) **Hvis opladerens forsyningsledning er beskadiget, skal den udskiftes af producenten, dens serviceagent eller lignende kvalificerede personer for at undgå farer.**

## YDERLIGERE SIKKERHEDSADVARSLER FOR LEDNINGSFRI SKRALDENØGLER

1. Hold kun elværktøjet i de isolerede grebflader, når du udfører en handling, hvor fastgørelselementet kan komme i kontakt med skjulte ledninger. Fastgørelselementer, der kommer i kontakt med en strømførende ledning, kan gøre udsatte metaldele af elværktøjet strøm-

førende og kan give operatøren et elektrisk stød.

2. Hold godt fast i værktøjet.
3. Sørg altid for at have et sikkert fodfæste. Sørg for, at der ikke er nogen nedenunder, når du bruger værktøjet på høje steder.
4. Bær høreværn.
5. Se slagtoppen omhyggeligt efter for slitage, revner eller skader før installation.
6. Hold hænderne væk fra roterende dele.
7. Rør ikke ved skraldehovedet, slagtoppen, bolten, møtrikken eller arbejdsområdet umiddelbart efter langvarigt arbejde. De kan være ekstremt varme og kan give dig forbrændinger i huden.

## SIKKERHEDSADVARSLER FOR BATTERI

- a) **Åbn ikke batteriet.** Fare for kortslutning.
- b) **Beskyt batteriet mod varme, f.eks. mod kontinuerligt intenst sollys, brand, vand og fugt.** Fare for eksplosion.
- c) **I tilfælde af skade og forkert brug af batteriet, kan der blive udsendt dampe. Udluft området, og søg lægehjælp i tilfælde af klager.** Dampene kan irritere åndedrætssystemet.
- d) **Brug kun batteriet sammen med dit Vonroc-produkt.** Denne foranstaltning alene beskytter batteriet mod farlig overbelastning.
- e) **Batteriet kan blive beskadiget af spidse genstande såsom søm eller skruetrækkere eller af eksternt påført kraft.** Der kan opstå en intern kortslutning, og batteriet kan brænde, ryge, eksplodere eller bliver overophedet.

## SIKKERHEDSADVARSLER FOR OPLADER

### Tilsigtet brug

Oplad kun genopladelige batteripakker af type CD801AA og CD803AA med opladeren. Andre typer batterier kan sprænge og dermed forårsage personskader og beskadigelser.

- a) **Dette apparat er ikke beregnet til at blive anvendt af personer (herunder børn) med reducerede fysiske, sansemæssige eller mentale evner samt med manglende erfaring eller viden, med mindre de er under opsyn eller bliver instrueret.**
- b) **Børn skal være under opsyn, så de ikke leger med apparatet.**
- c) **Oplad ikke batterier, der ikke er genopladelige!**
- d) **Under opladningen skal batterierne befinde sig i et område med god udluftning!**

**EI-sikkerhed**

Kontroller altid, at strømforsyningsens spænding stemmer overens med spændingen på ydelsesskiltet.

- Brug ikke maskinen, hvis netledningen eller netstikket er beskadiget.
- Brug kun forlængerledninger, der er velegnede til maskinens effekt med en minimumstykkelse på 1,5 mm<sup>2</sup>. Hvis du bruger en forlængerkabelrulle, skal du altid rulle kablet helt ud.

**2. MASKINOPLYSNINGER****Tilsigtet brug**

Maskinen er beregnet til at skrue skruer og bolte i og løsne dem samt til at stramme og løsne møtrikker under overholdelse af de tekniske data. Hovedformålsmiljøet er i bilindustrien, til metal-konstruktion eller tagarbejde. Enheden er ikke beregnet til boring.

**TEKNISKE SPECIFIKATIONER**

Denne vejledning er udarbejdet til forskellige sæt/varenumre. Kontroller det tilsvarende varenummer i nedenstående tabel med specifikationer for den korrekte sammensætning og indholdet af dit sæt.

Model nr.	Batterier medfølger	Opladere medfølger
<b>RW501DC</b>	-	-
<b>S_ RW501DC</b>	CD801AA	CD802AA
<b>S2_ RW501DC</b>	2 x CD801AA	CD802AA
<b>S3_ RW501DC</b>	CD803AA	CD802AA

Maskinoplysninger	
Nominal spænding	20 V
Hastighed uden belastning	0-260/min
Spændepatron	3/8" firkantet patron
Maks. moment	50 Nm
Vægt	1,2kg
IP-klasse	IPX0
Lydtrykniveau L <sub>PA</sub>	75,2 dB(A) K=3 dB(A)
Lydtrykeffekt L <sub>WA</sub>	86,2 dB(A), K=3 dB(A)
Vibration	2,069 m/s <sup>2</sup> K=1,5 m/s <sup>2</sup>

Model nr.	CD801AA
Batteritype	Lithium-Ion
Spænding	20 V
Kapacitet	2,0 Ah
Anbefalet oplader	CD802AA
Vægt	0,3kg

Model nr.	CD802AA
Opladerinput	220-240 V, 50 Hz 0,4 A
Opladeroutput	21 V  2,5 A
Opladningstid 2 Ah batteri	60 minutter
Opladningstid 4 Ah batteri	120 minutter
Anbefalede batterier	CD801AA, CD803AA
Vægt	0,36kg

Model nr.	CD803AA
Batteritype	Lithium-Ion
Spænding	20 V
Kapacitet	4,0 Ah
Anbefalet oplader	CD802AA
Vægt	0,65kg

Brug kun de følgende batterier af VONROC VPOWER 20V-batteriplatformen. Brug af andre batterier kan forårsage personskade eller beskadigelse af værktøjet.

CD801AA 20 V, 2 Ah Lithium-Ion  
CD803AA 20 V, 4 Ah Lithium-Ion

Den følgende oplader kan bruges til at oplade disse batterier.

CD802AA Hurtig oplader

Batterierne af VONROC VPOWER 20V-batteriplatformen kan udskiftes med alle værktøjer af VONROC VPOWER 20V-batteriplatformen.

**Vibrationsniveau**

Det udsendte vibrationsniveau, der er angivet i denne brugsvejledning, er blevet målt i overensstemmelse med en standardiseret test i henhold til EN 62841. Den kan bruges til at sammenligne et værktøj med et andet og som en indledende vurdering af eksponering for vibration, når værktøjet bruges til de nævnte anvendelser.

- Når værktøjet bruges til forskellige anvendelser, eller med forskelligt eller dårligt vedligeholdt tilbehør, kan eksponeringsniveauet øges betydeligt.
- De gange, hvor værktøjet er slukket, eller når det er tændt, men ikke bruges til opgaven på det pågældende tidspunkt, kan det reducere eksponeringsniveauet betydeligt.

Beskyt dig mod vibrationseffekterne ved at vedligeholde værktøjet og dets tilbehør, holde dine hænder varme og organisere dine arbejdsmønstre.

### BESKRIVELSE

Tallene i teksten henviser til diagrammerne på side 2-3.

1. Maskine
2. Batteri
3. Knap til oplåsning af batteri
4. Arbejdslys
5. Tænd/sluk-kontakt
6. 3/8" (9,5 mm) firkantet patron
7. Retningskontakt
9. Låsegreb
10. Knap til LED-indikatorer for batteri
11. LED-indikatorer for batteri
12. Oplader
13. LED-indikatorer for oplader

### 3. MONTERING



Tag batteriet ud, inden der udføres arbejde på el-værktøjet.



Batteriet skal oplades inden første brug.

#### Sådan sættes batteriet ind i maskinen (fig. B)



Sørg for, at batteriets yderside er ren og tør, inden du forbinder det til opladeren eller maskinen.

1. Sæt batteriet (2) ind i maskinens base, som vist på Fig. B.
2. Skub batteriet længere frem, indtil det klikker på plads.

#### Sådan tages batteriet ud af maskinen (fig. B)

1. Tryk på knappen til oplåsning af batteri (3).
2. Træk batteriet ud af maskinen, som vist på fig. B.

#### Kontrol af batteriets opladestatus (fig. C)

- Tryk kortvarigt på knappen (10) på batteriet for at kontrollere batteriets opladningsstatus.
- Batteriet har 3 lamper, der angiver opladningsniveauet. Jo flere lamper, der lyser, des mere opladning er der tilbage i batteriet.
- Når lamperne ikke lyser, betyder det, at batteriet er tomt og skal oplades med det samme.

#### Opladning af batteriet med opladeren (fig. C)

1. Tag batteriet (2) ud af maskinen.
2. Vend batteriet (2) på hovedet, og skub det ind i opladeren (12), som vist på fig. C.
3. Skub batteriet, indtil det er helt inde i åbningen.
4. Sæt opladerstikket i en stikkontakt, og vent et øjeblik. LED-indikatorerne på opladeren (13) lyser og viser opladerens status.

#### Opladeren har 2 LED-indikatorer (13), som indikerer opladningsprocessens status:

Rød LED-status	Grøn LED-status	Opladerstatus
Slukket	Slukket	Ingen strøm
Slukket	Tændt	Standby-tilstand: - Intet batteri isat, eller - Batteri isat, men opladning er afsluttet
Tændt	Slukket	Batteriopladning i gang

- Det kan tage op til 60 minutter at lade 2 Ah batteriet helt op.
- Det kan tage op til 120 minutter at lade 4 Ah batteriet helt op.

Når batteriet er ladet helt op, skal du tage opladerens stik ud af kontakten og fjerne batteriet fra opladeren.



Når maskinen ikke bruges gennem længere periode, er det bedst at opbevare batteriet i opladet tilstand.

### Af- og påmontering af tilbehør

- Sluk for maskinen.
- Fjern slagtoppen fra patronen (6), hvis der er en.
- Klik den nye top på patronen (6).
- Kontroller, om toppen sidder godt fast.
- For at fjerne toppen skal du bare trække den af.

## 4. BETJENING

### Tænd og sluk maskinen (fig. A)

Tænd/sluk-kontakten (5) bruges til at aktivere maskinen og justere rotationshastigheden.

- Når du trykker på tænd/sluk-kontakten (5), aktiveres maskinen. Jo længere kontakten skubbes, des hurtigere drejer boret rundt.
- Når tænd/sluk-kontakten (5) slippes, standser maskinen.
- For at forhindre, at der ved et uheld trykkes på kontakten (5), er der et låsegreb (9). Når låsegrebet er i den låste position, kan kontakten ikke aktiveres. Når låsegrebet er i den ulåste position, kan kontaktagrebet aktiveres.



*Læg først maskinen fra dig, når den er standset helt. Læg den ikke på en støvet overflade, da der kan komme støvpartikler ind i mekanismen.*

### Sådan justeres rotationsretningen (fig. A)

- Stil retningskontakten (7) i positionen 'F' for at skrue skruer eller møtrikker i.
- Stil retningskontakten (7) i positionen 'R' for at fjerne skruer eller møtrikker.

### Arbejdslys (fig. A)

Maskinen er udstyret med arbejdslys (4), så arbejdsområdet bliver oplyst.

- Det slås automatisk til, når der trykkes på tænd/sluk-kontakten.
- Det slås automatisk fra, når tænd/sluk-kontakten slippes igen.

## 5. VEDLIGEHOLDELSE



*Før rengøring og vedligeholdelse skal du altid slukke for maskinen og fjerne batteripakken fra maskinen.*

Rengør maskinbeklædningerne regelmæssigt med en blød klud, helst efter hver anvendelse. Sørg for, at der ikke er støv eller snavs i ventilationsåbningerne. Fjern snavs, der sidder meget godt fast, med en blød klud, der er fugtet i sæbevand. Brug ikke opløsningsmidler, som f.eks. benzin, sprit, ammoniak osv. Kemikalier som disse beskadiger de syntetiske komponenter.

## MILJØ



*Defekte og/eller bortskaffede elektriske og elektroniske apparater skal afleveres på en passende genbrugsstation.*

### Kun for lande i EU

Maskinværktøj må ikke bortskaffes sammen med husholdningsaffald. Ifølge EC-direktiv 2012/19/EU om affald af elektrisk og elektronisk udstyr og dets gennemførelse i den nationale lovgivning skal maskinværktøjer, der ikke længere anvendes, afleveres separat og bortskaffes på en miljøvenlig måde.

## GARANTI

VONROC-produkter er udviklet til de højeste kvalitetsstandarder og er garanteret fri for defekter i både materialer og udførelse i den periode, der er retsligt angivet fra datoen for det originale køb. Hvis produktet skulle udvikle fejl i denne periode på grund af defekt materiale og/eller udførelse, bedes du kontakte VONROC direkte.

Følgende omstændigheder er udelukket fra denne garanti:

- Uautoriserede servicecentre har foretaget eller gjort forsøg på at foretage reparationer og/eller ændringer på maskinen;
- Normal slitage;
- Værktøjet er blevet misbrugt, brugt forkert eller ikke passende vedligeholdt;
- Der er anvendt ikke-originale reservedele.

Dette udgør den eneste garanti, virksomheden har givet, enten udtrykt eller underforstået. Der er ingen andre garantier, udtrykt eller underforstået, som strækker sig ud over denne, herunder de underforståede garantier for salgbarhed og egnethed til et bestemt formål. Under ingen omstændigheder skal VONROC holdes ansvarlig for tilfældige skader



eller følgeskader. Forhandlerens retsmidler skal være begrænset til reparation eller udskiftning af enheder eller dele, der ikke overholder kravene.

**Produktet og brugervejledningen er genstand for ændringer. Specifikationer kan ændres uden yderligere varsel.**

## 1. INSTRUKCJE DOTYCZĄCE BEZPIECZEŃSTWA

Przeczytać dołączone ostrzeżenia dotyczące bezpieczeństwa, dodatkowe ostrzeżenia dotyczące bezpieczeństwa oraz instrukcję. Nieprzestrzeganie ostrzeżeń dotyczących bezpieczeństwa oraz instrukcji może prowadzić do porażenia prądem, pożaru i/lub poważnych obrażeń ciała. Zachować ostrzeżenia dotyczące bezpieczeństwa oraz instrukcje na przyszłość.

Następujące symbole są umieszczone w instrukcji obsługi lub na produkcie:



*Przeczytać instrukcję obsługi.*



*Oznacza ryzyko obrażeń ciała, śmierci lub uszkodzenia narzędzia w razie nieprzestrzegania poleceń z instrukcji.*



*Ryzyko porażenia prądem.*



*Zmienna prędkość elektroniczna.*



*Nie używać w deszczu.*



*Tylko do użytku w pomieszczeniach.*



*Urządzenie klasy II - Podwójna izolacja - Nie trzeba stosować wtyczek z uziemieniem.*



*Miniaturowy bezpiecznik zwłocznny.*



*Maks. temperatura 45°C.*



*Nie wrzucać akumulatora do ognia.*



*Nie wrzucać akumulatora do wody.*



*Nosić okulary ochronne.*



*Nosić ochronniki słuchu.*



*Nie wyrzucać produktu do nieodpowiednich pojemników.*



*Zbiórka selektywna akumulatora litowo-jonowego.*

**CE** Produkt spełnia wymogi odpowiednich norm bezpieczeństwa podanych w dyrektywach UE.

## OGÓLNE OSTRZEŻENIA DOTYCZĄCE BEZPIECZEŃSTWA ELEKTRONARZĘDZIA



**OSTRZEŻENIE!** Przeczytać wszystkie ostrzeżenia dotyczące bezpieczeństwa i wszystkie instrukcje. Nieprzestrzeganie ostrzeżeń oraz instrukcji może prowadzić do porażenia prądem, pożaru i/lub poważnych obrażeń ciała.

### Zachować ostrzeżenia oraz instrukcje na przyszłość.

Określenie „elektronarzędzie” w ostrzeżeniach dotyczy elektronarzędzia sieciowego (przewodowego) lub elektronarzędzia akumulatorowego (bezprowodowego).

#### 1) Bezpieczeństwo miejsca pracy

- a) **Utrzymywać miejsce pracy w czystości i dobrze oświetlone.** Bałagan i ciemności w miejscu pracy prowadzą do wypadków.
- b) **Nie używać elektronarzędzi w atmosferze wybuchowej, np. w obecności łatwopalnych cieczy, gazów lub pyłu.** Elektronarzędzia wytwarzają iskry, które mogą spowodować zapłon pyłu lub oparów.
- c) **Podczas korzystania z elektronarzędzia nie pozwalać zbliżać się dzieciom i osobom postronnym.** Odwrócenie uwagi może spowodować utratę panowania nad narzędziem.

#### 2) Bezpieczeństwo elektryczne

- a) **Wtyczka elektronarzędzia musi pasować do gniazdka. Nigdy w żaden sposób nie modyfikować wtyczki. Nie używać żadnych przejściówek do wtyczek w połączeniu z uziemionymi elektronarzędziami.** Niemodyfikowane wtyczki i pasujące do nich gniazdka zmniejszają ryzyko porażenia prądem.
- b) **Unikać dotykania uziemionych powierzchni, jak rury, grzejniki, kuchenki i lodówki.** Jeśli ciało jest uziemione, ryzyko porażenia prądem jest zwiększone.
- c) **Nie narażać elektronarzędzi na deszcz, wodę lub wilgoć.** Przedostanie się wody do wnętrza elektronarzędzia zwiększy ryzyko porażenia prądem.

- d) **Ostrożnie obchodzić się z kablem. Nigdy nie używać kabla do przenoszenia, ciągnięcia lub odłączania elektronarzędzia od gniazdka. Trzymać kabel z dala od gorąca, oleju, ostrych krawędzi i ruchomych części.** Uszkodzone lub splątane kable zwiększają ryzyko porażenia prądem.
- e) **Podczas użytkowania elektronarzędzia na wolnym powietrzu używać przedłużacza przeznaczanego do użytku na wolnym powietrzu.** Używanie przedłużacza przeznaczonego do użytku na wolnym powietrzu zmniejsza ryzyko porażenia prądem.
- f) **Jeśli obsługa elektronarzędzia w wilgotnym miejscu jest nieunikniona, użyć zasilania wyposażonego w wyłącznik różnicowoprądowy.** Użycie wyłącznika różnicowoprądowego zmniejsza ryzyko porażenia prądem.

#### 3) Bezpieczeństwo osobiste

- a) **Zachować czujność, uważać na to, co się robi, a także stosować zdrowy rozsądek podczas korzystania z elektronarzędzia. Nie używać narzędzia, gdy jest się zmęczonym lub pod wpływem leków, alkoholu albo środków odurzających.** Chwila nieuwagi podczas obsługi elektronarzędzia może prowadzić do poważnych obrażeń ciała.
- b) **Stosować środki ochrony osobistej. Zawsze nosić okulary ochronne.** Wyposażenie ochronne, jak maska przeciwpyłowa, antypoślizgowe bezpieczne obuwie, kask lub ochronniki słuchu, używane w odpowiednich warunkach ogranicza występowanie obrażeń ciała.
- c) **Unikać niezamierzonego uruchomienia. Dopilnować, aby włącznik znajdował się w położeniu wyłączonym przed podłączeniem elektronarzędzia do źródła zasilania i/lub akumulatora, jego podniesieniem lub przeniesieniem.** Przeniesienie elektronarzędzi z palcem na włączniku lub podłączenie do zasilania elektronarzędzi z włącznikiem w położeniu włączenia jest bardzo niebezpieczne i może powodować wypadki.
- d) **Usunąć wszelkie klucze lub inne narzędzia do regulacji przed włączeniem elektronarzędzia.** Klucz lub inne narzędzie pozostawione podłączone do obracającej się części narzędzia może prowadzić do obrażeń ciała.
- e) **Nie sięgać za daleko. Zawsze utrzymywać właściwe podparcie dla stóp i równowagę.** Pozwala to na lepsze panowanie nad elektronarzędziem w nieoczekiwanych sytuacjach.

- f) **Nosić odpowiednią odzież. Nie nosić luźnych ubrań ani biżuterii. Nie zbliżać włosów, odzieży i rękawic do ruchomych części.** Luźna odzież, biżuteria lub długie włosy mogą zostać pochwycone przez ruchome części.
- g) **Jeśli urządzenie jest wyposażone w złącze do podłączania do urządzeń do gromadzenia i odsysania pyłu, koniecznie je podłączyć i używać ich prawidłowo.** Gromadzenie pyłu pozwala na ograniczanie zagrożeń związanych z pyłem.
- h) **Nie zezwalać na to, aby rutyna związana z częstym korzystaniem z narzędzi powodowała nadmierną pewność siebie i ignorowanie zasad bezpiecznego korzystania z narzędzi.** Nieodpowiedzialne działanie może spowodować poważne obrażenia ciała w ułamku sekundy.
- 4) **Użytkowanie i pielęgnacja elektronarzędzia**
- a) **Nie przeciążać elektronarzędzia. Używać narzędzia przystosowanego do określonego zastosowania.** Właściwe elektronarzędzie wykoną pracę lepiej i bezpieczniej z szybkością, do jakiej jest przeznaczone.
- b) **Nie używać elektronarzędzia, jeśli jego wyłącznik nie pozwala na jego włączanie i wyłączenie.** Elektronarzędzie, którego nie można włączać i wyłączać wyłącznikiem jest niebezpieczne i musi zostać naprawione.
- c) **Odłączyć wtyczkę od źródła zasilania i/lub odłączyć akumulator od elektronarzędzia przed rozpoczęciem przeprowadzania jakichkolwiek regulacji, wymianą akcesoriów lub rozpoczęciem przechowywania elektronarzędzia.** Takie środki zapobiegawcze ograniczają ryzyko przypadkowego uruchomienia elektronarzędzia.
- d) **Przechowywać nieużywane elektronarzędzia w miejscu niedostępnym dla dzieci i nie pozwalać osobom niezaznajomionym z elektronarzędziem lub tą instrukcją na obsługę elektronarzędzia.** Elektronarzędzia są niebezpieczne w rękach nieprzeszkolonych użytkowników.
- e) **Prawidłowo konserwować elektronarzędzia. Sprawdzać elektronarzędzie pod kątem nieodpasowania lub utykania części ruchomych, pęknięcia części lub innych okoliczności, które mogą negatywnie wpływać na jego działanie. W razie uszkodzenia oddać elektronarzędzie do naprawy przed ponownym użyciem.** Wiele wypadków jest spowodowanych słabo konserwowanymi elektronarzędziami.
- f) **Utrzymywać narzędzia tnące naostrzone i czyste.** Właściwie konserwowane narzędzia tnące z ostrymi krawędziami tnącymi są mniej narażone na utykanie i łatwiej nad nimi zapanować.
- g) **Używać elektronarzędzia, akcesoriów i końcówek narzędziowych itp. zgodnie z tą instrukcją, uwzględniając warunki pracy i zadanie do wykonania.** Wykorzystanie elektronarzędzia do zadań niezgodnych z jego przeznaczeniem może prowadzić do niebezpieczeństwa.
- h) **Uchwyty należy utrzymywać w stanie suchym, czystym i niezabrudzonym olejem lub smarem.** Śliskie uchwyty i powierzchnie do chwytania nie pozwalają na bezpieczne obchodzenie się z narzędziem i panowanie nad nim w nieoczekiwanych sytuacjach.
- 5) **Użytkowanie i pielęgnacja akumulatora**
- a) **Ładować tylko ładowarką wyznaczoną przez producenta.** Ładowarka odpowiednia dla jednego rodzaju akumulatora może powodować ryzyko pożaru, jeśli zostanie użyta z innym rodzajem akumulatora.
- b) **Używać elektronarzędzia jedynie w połączeniu z wyznaczonymi akumulatorami.** Użycie innych akumulatorów może powodować ryzyko obrażeń ciała i pożaru.
- c) **Kiedy akumulator nie jest używany, należy trzymać go z dala od innych metalowych przedmiotów, takich jak spinacze, monety, klucze, gwoździe, śruby lub inne małe metalowe przedmioty, które mogą spowodować zwarcie styków akumulatora.** Zwarcie styków akumulatora może powodować poparzenia lub pożar.
- d) **W przypadku silnego uderzenia z akumulatora może wypłynąć płyn. Unikać styczności. W razie przypadkowej styczności niezwłocznie przepłukać miejsce styczności wodą. Jeśli dojdzie do styczności płynu z akumulatora z oczami, natychmiast uzyskać pomoc lekarską.** Płyn z akumulatora może powodować podrażnienia lub poparzenia.
- e) **Nie używać uszkodzonego ani zmodyfikowanego akumulatora lub narzędzia.** Uszkodzone lub zmodyfikowane akumulatory mogą działać w sposób nieoczekiwany, co może powodować pożar, wybuch lub ryzyko obrażeń ciała.
- f) **Nie wystawiać akumulatora ani narzędzia na działanie płomienia lub zbyt wysokiej temperatury.** Narażenie na działanie płomienia lub temperatury powyżej 130°C może spowodować

wybuch. UWAGA Temperaturę „130 °C“ można zastąpić temperaturą „265 °F“.

- g) **Przestrzegać wszystkich instrukcji ładowania i nie ładować akumulatora ani narzędzia poza zakresem temperatury podanym w instrukcji.** Nieprawidłowe ładowanie lub ładowanie w temperaturze poza podanym zakresem może spowodować uszkodzenie akumulatora i zwiększyć ryzyko pożaru.
- 6) **Serwis**
- a) **Zlecać serwisowanie elektronarzędzia wykwalifikowanemu technikowi stosującemu jedynie części zamienne identyczne z oryginalnymi.** Zapewni to zachowanie bezpieczeństwa elektronarzędzia.
- b) **Nigdy nie serwisować uszkodzonych akumulatorów.** Serwisowanie akumulatorów może przeprowadzać wyłącznie producent lub autoryzowany serwis.
- c) **Przewód zasilania ładowarki jest uszkodzony, musi go wymienić producent, jego przedstawiciel serwisowy lub podobnie, odpowiednio wykwalifikowana osoba, aby uniknąć zagrożenia.**

#### **DODATKOWE OSTRZEŻENIA DOTYCZĄCE BEZPIECZEŃSTWA DOTYCZĄCE BEZPRZEWODOWYCH KLUCZY UDAROWYCH**

1. Trzymać narzędzie za izolowane powierzchnie do chwytania podczas wykonywania prac, podczas których element łączący może zetknąć się z ukrytym okablowaniem. Zetknięcie się elementu łączącego z przewodem pod napięciem może sprawić, że odsłonięte metalowe części narzędzia również będą pod napięciem i spowodować porażenie operatora prądem.
2. Mocno trzymać narzędzie.
3. W przypadku pracy na wysokości utrzymywać stabilną pozycję i dopilnować, aby poniżej miejsca pracy nie znajdowały się żadne osoby.
4. Korzystać ze środków ochrony słuchu.
5. Sprawdzić nasadkę udarową pod względem zużycia, pęknięć lub innych uszkodzeń przed instalacją.
6. Dłonie trzymać z dala od części obracających się.
7. Nie dotykać nasadki udarowej, śruby, nakrętki lub elementu obrabianego zaraz po zakończeniu pracy. Te elementy mogą być bardzo gorące i spowodować poparzenie skóry.

#### **OSTRZEŻENIA DOTYCZĄCE AKUMULATORA**

- a) **Nie otwierać akumulatora.** Ryzyko zwarcia.
- b) **Chronić akumulator przed gorącym, np. długotrwałym silnym nasłonecznieniem, ogniem, wodą i wilgocią.** Ryzyko wybuchu.
- c) **W razie uszkodzenia i błędnego użytkowania akumulatora, może dojść do emisji oparów. Przewietrzć miejsce emisji i uzyskać pomoc lekarską w razie dolegliwości.** Opary mogą powodować podrażnienie układu oddechowego.
- d) **Używać akumulatora wyłącznie w połączeniu z produktem marki Vonroc.** Takie postępowanie chroni akumulator przed niebezpiecznym przeciążeniem.
- e) **Akumulator może zostać uszkodzony przez ostro zakończone przedmioty, jak gwoździe lub wkręta, albo przez uderzenie z zewnątrz.** Może dojść do wewnętrznego zwarcia i akumulator może zacząć się palić, dymić, wybuchnąć lub przegrzać się.

#### **OSTRZEŻENIA DOTYCZĄCE ŁADOWARKI** **Przeznaczenie**

Za pomocą ładowarki ładować wyłącznie akumulatory typu CD801AA i CD803AA. Akumulatory innego typu mogą pękać, powodując obrażenia ciała i uszkodzenia mienia.

- a) **Urządzenie nie jest przeznaczone do użytku przez osoby (w tym dzieci) o ograniczonych zdolnościach fizycznych, czuciowych lub umysłowych albo nie posiadające doświadczenia i wiedzy, chyba że zostały one odpowiednio poinstruowane i są pod nadzorem.**
- b) **Dzieciom nie wolno pozwalać bawić się urządzeniem.**
- c) **Nie ładować zwykłych baterii!**
- d) **Podczas ładowania akumulatory muszą znajdować się w dobrze wentylowanym miejscu!**

#### **Bezpieczeństwo elektryczne**



*Zawsze sprawdzać, czy napięcie źródła zasilania jest zgodne z napięciem podanym na tabliczce znamionowej.*

- Nie używać urządzenia, jeśli jego kabel zasilający jest uszkodzony lub wtyczka kabla zasilającego jest uszkodzona.
- Używać wyłącznie przedłużaczy przystosowanych do pracy z parametrami zasilania urządzenia o minimalnej grubości 1,5 mm<sup>2</sup>. W przypadku korzystania z przedłużacza w zwoju, zawsze całkowicie rozwinąć zwój.

## 2. INFORMACJE O URZĄDZENIU

### Przeznaczenie

Narzędzie jest przeznaczone do wkręcania i wykręcania wkrętów i śrub oraz dokręcania i odkręcania nakrętek zgodnie z parametrami technicznymi. Głównym środowiskiem pracy, do którego przeznaczone jest narzędzie, jest branża motoryzacyjna, praca z konstrukcjami metalowymi i pokryciami dachowymi. To urządzenie nie jest przeznaczone do wiercenia.

### DANE TECHNICZNE



Niniejsza instrukcja dotyczy różnych zestawów/numerów artykułów. Sprawdź odpowiedni numer artykułu w poniższej tabeli, aby uzyskać informacje na temat zawartości zestawu.

Nr modelu	Akumulatory dołączone	Ładowarki dołączone
<b>RW501DC</b>	-	-
<b>S_ RW501DC</b>	CD801AA	CD802AA
<b>S2_ RW501DC</b>	2 x CD801AA	CD802AA
<b>S3_ RW501DC</b>	CD803AA	CD802AA

Informacje o urządzeniu	
Napięcie znamionowe	20 V
Obroty bez obciążenia	0-260/min
Uchwyt	Uchwyt kwadratowy 3/8"
Maks. moment obrotowy	50 Nm
Ciężar	1,2 kg
Klasa zabezpieczenia IP	IPX0
Poziom ciśnienia akustycznego $L_{PA}$	75,2 dB(A) K=3 dB(A)
Poziom mocy akustycznej $L_{WA}$	86,2 dB(A), K=3dB(A)
Drgania	2,069 m/s <sup>2</sup> K=1,5 m/s <sup>2</sup>

Nr modelu	CD801AA
Typ akumulatora	Litowo-jonowy
Napięcie	20 V
Pojemność	2,0 Ah
Zalecana ładowarka	CD802AA
Ciężar	0,3 kg

Nr modelu	CD802AA
Parametry wejściowe zasilania ładowarki	220-240 V, 50 Hz 0,4 A
Parametry wyjściowe zasilania ładowarki	21 V , 2,5 A
Czas ładowania akumulatora 2 Ah	60 minut
Czas ładowania akumulatora 4 Ah	120 minut
Zalecane akumulatory	CD801AA, CD803AA
Ciężar	0,36 kg

Nr modelu	CD803AA
Typ akumulatora	Litowo-jonowy
Napięcie	20 V
Pojemność	4,0 Ah
Zalecana ładowarka	CD802AA
Ciężar	0,65 kg

Używać wyłącznie następujących akumulatorów z platformy akumulatorów VONROC VPOWER 20 V. Użycie innych akumulatorów może spowodować poważne obrażenia ciała lub uszkodzenie narzędzia.

CD801AA 20 V, 2 Ah Litowo-jonowy  
CD803AA 20 V, 4 Ah Litowo-jonowy

Następującej ładowarki można używać do ładowania tych akumulatorów.

CD802AA Szybka ładowarka

Akumulatory należące do platformy VONROC VPOWER 20 V można stosować we wszystkich narzędziach z platformy VONROC VPOWER 20 V.

### Poziom drgań

Poziom emisji drgań podany w niniejszej instrukcji został zmierzony zgodnie ze zharmonizowanym testem podanym w normie EN 62841 i może być stosowany do porównywania narzędzi ze sobą oraz w celu wstępnego oszacowania narażenia na drgania podczas stosowania narzędzia zgodnie z podanym przeznaczeniem.

- Używanie narzędzia do innych zastosowań lub z innymi lub źle konserwowanymi akcesoriami może znacząco zwiększać poziom ekspozycji.
- Okresy, gdy narzędzie jest wyłączone lub okresy, gdy jest włączone, ale nie pracuje, mogą znacząco zmniejszać poziom ekspozycji.

Chronić się przed wpływem drgań, konserwując odpowiednio narzędzie i akcesoria, utrzymując ciepłą dłoń oraz odpowiednio organizując pracę.

## OPIS

Liczby w tekście odnoszą się do rysunków na stronach 2 - 3.

1. Narzędzie
2. Akumulator
3. Przycisk odblokowania akumulatora
4. Lampka robocza
5. Włacznik
6. Uchwyt kwadratowy 3/8" (9,5 mm)
7. Przełącznik kierunku obrotów
9. Dźwignia blokująca
10. Przycisk diod LED akumulatora
11. Diody LED akumulatora
12. Ładowarka
13. Diody LED ładowarki

## 3. MONTAŻ



*Przed rozpoczęciem jakichkolwiek pracy dotyczących elektronarzędzia, wyjąć akumulator.*



*Akumulator należy naładować przed pierwszym użyciem.*

### Wkładanie akumulatora do narzędzia (rys. B)



*Dopilnować, aby zewnętrzna powierzchnia akumulatora była czysta i sucha przed podłączeniem do ładowarki lub narzędzia.*

1. Włożyć akumulator (2) w podstawę urządzenia, zgodnie z rys. B.
2. Wcisnąć akumulator dalej, aż zatrzaśnie się w poprawnym położeniu.

### Wymowanie akumulatora z urządzenia (rys. B)

1. Nacisnąć przycisk odblokowania akumulatora (3).
2. Wyjąć akumulator z urządzenia zgodnie z rys. B.

### Sprawdzanie stanu naładowania akumulatora (rys. C)

- Aby sprawdzić stan naładowania akumulatora, wcisnąć przycisk (10) na akumulatorze na chwilę.

- Akumulator ma 3 diody informujące o poziomie naładowania. Im więcej świeci diod, tym wyższy poziom naładowania akumulatora.
- Jeśli diody nie świecą, oznacza to, że akumulator jest rozładowany i wymaga niezwłocznego naładowania.

### Ładowanie akumulatora ładowarką (rys. C)

1. Wyjąć akumulator (2) z narzędzia.
2. Ustawić akumulator (2) spodem do góry i wsunąć go na ładowarkę (12) zgodnie z rys. C.
3. Wcisnąć akumulator do oporu do gniazda.
4. Podłączyć ładowarkę do gniazdka i poczekać chwilę. Diody LED na ładowarce (13) zaświecą się, informując o stanie ładowania.

### Ładowarka jest wyposażona w 2 diody LED (13), informujące o stanie procesu ładowania:

Stan czerwonej diody LED	Stan zielonej diody LED	Stan ładowarki
Wyłączone	Wyłączone	Brak zasilania
Wyłączone	Włączone	Tryb gotowości: - Nie włożono akumulatora lub - Włożono akumulator, ale ładowanie zostało zakończone
Włączone	Wyłączone	Ładowanie akumulatora w toku

- Całkowite naładowanie akumulatora 2 Ah może trwać do 60 minut.
- Całkowite naładowanie akumulatora 4 Ah może trwać do 120 minut.

Po całkowitym naładowaniu akumulatora wyjąć wtyczkę ładowarki z gniazdka i wyjąć akumulator z ładowarki.



*Kiedy urządzenie nie jest używane przez długi okres, najlepiej przechowywać akumulator w stanie naładowanym.*

### Demontaż i montaż akcesoriów

- Wyłączyć urządzenie.
- Wyjąć nasadkę z uchwytu (6), jeśli występuje.
- Zatrzasnąć nową nasadkę na uchwycie (6).

- Sprawdzić, czy nasadka jest dobrze zamocowana.
- Aby usunąć nasdkę, po prostu ją ściągnąć.

## 4. OBSŁUGA

### Włączanie i wyłączanie narzędzia (rys. A)

Włącznik (5) służy do włączania narzędzia i regulacji prędkości obrotowej.

- Wciśnięcie włącznika (5) włącza narzędzie, a im dalej włącznik jest wciśnięty, tym szybciej obraca się narzędzie.
- Zwolnienie włącznika (5) powoduje zatrzymanie narzędzia.
- W celu uniknięcia przypadkowego naciśnięcia przycisku (5) zastosowana została dźwignia blokująca (9). Jeżeli dźwignia blokująca jest ustawiona w pozycji zablokowania, włączenie za pomocą włącznika nie będzie możliwe. Jeżeli dźwignia blokująca jest ustawiona w pozycji odblokowania, włączenie za pomocą włącznika będzie możliwe.



*Odkładać narzędzie, dopiero gdy zatrzyma się całkowicie. Nie kłaść narzędzia w miejscu pokrytym pyłem, ponieważ pył może przedostać się do wnętrza mechanizmu.*

### Regulacja kierunku obrotów (rys. A)

- Ustawić przełącznik kierunku (7) w położenie „F”, aby wkręcać wkręty lub dokręcać nakrętki.
- Ustawić przełącznik kierunku (7) w położenie „R”, aby wykręcać wkręty lub odkręcać nakrętki.

### Lampa robocza (rys. A)

Maszyna jest wyposażona w lampę roboczą (4) oświetlającą miejsce pracy.

- Lampa włącza się automatycznie, gdy włącznik jest wciśnięty.
- Lampa wyłącza się automatycznie, gdy włącznik jest zwolniony.

## 5. KONSERWACJA



*Przed rozpoczęciem czyszczenia i konserwacji zawsze wyłączać urządzenie i wyjmować z niego akumulator.*

Czyścić obudowę urządzenia regularnie miękką ściereczką, najlepiej po każdym użyciu. Dopolno-

wać, aby otwory wentylacyjne były wolne od pyłu, kurzu i zabrudzeń.

Usuwać odporne zabrudzenia miękką ściereczką zwilżoną mydlinami. Nie używać żadnych rozpuszczalników, takich jak benzyna, alkohol, amoniak itp. Takie substancje chemiczne spowodują uszkodzenie części z tworzyw sztucznych.

## OCHRONA ŚRODOWISKA



*Uszkodzone i/lub niepotrzebne urządzenia elektryczne lub elektroniczne podlegają zbiórce w odpowiednich punktach recyklingu.*

### Tylko kraje WE

Nie wyrzucać elektronarzędzi wraz z odpadami z gospodarstw domowych. Zgodnie z dyrektywą 2012/19/WE dotyczącą zużytych urządzeń elektrycznych i elektronicznych oraz jej wdrożeniem do prawodawstwa krajowego, elektronarzędzia, które już nie nadają się do użytku, podlegają oddzielnej zbiórce oraz utylizacji w sposób przyjazny dla środowiska.

## GWARANCJA

Produkty VONROC są wytwarzane zgodnie z najwyższymi standardami jakości i producent udziela gwarancji na wady materiałowe i wady wykonania na okres wymagany prawem, licząc od dnia zakupu. Jeśli wystąpi usterka produktu w tym okresie spowodowana wadą materiałową i/lub wadą wykonania, proszę bezpośrednio skontaktować się ze sprzedawcą VONROC.

Następujące okoliczności powodują unieważnienie gwarancji:

- Przeprowadzono naprawy lub modyfikacje narzędzia w serwisie innym lub autoryzowany lub podjęto ich próbę,
- Normalne zużycie,
- Narzędzie było używane niezgodnie z przeznaczeniem, zle z nim się obchodzono lub było nieprawidłowo konserwowane,
- Użyto części zamiennych innych niż oryginalne.

Niniejsza gwarancja to wyłączna gwarancja producenta i nie obowiązują żadne inne wyrażone ani dorozumiane gwarancje. Nie obowiązują żadne inne wyrażone ani dorozumiane gwarancje o zakresie przekraczającym niniejszą gwarancję, co obejmuje

dorozumiane gwarancje przydatności do sprzedaży i przydatności do określonego celu. W żadnym przypadku firma VONROC nie ponosi odpowiedzialności za straty przypadkowe lub wynikowe. Zadośćuczynienie sprzedawcy jest ograniczone do naprawy lub wymiany niezgodnych urządzeń lub części.

**Produkt i instrukcja obsługi podlegają zmianom. Dane techniczne podlegają zmianom bez uprzedzenia.**

## 1. INSTRUCȚIUNI DE SIGURANȚĂ

Citiți avertizările de siguranță, avertizările de siguranță suplimentare și instrucțiunile. Nerespectarea avertizărilor de siguranță poate cauza producerea de electrocutări, incendii și/sau răniri grave. Păstrați manualul cu avertizările de siguranță și instrucțiunile de utilizare pentru referințe viitoare.

În manualul de utilizare sau pe produs se utilizează următoarele simboluri:



*Citiți manualul de utilizare.*



*Indică riscul de rănire personală, pierderea vieții sau deteriorarea sculei în cazul în care nu se respectă instrucțiunile din acest manual.*



*Pericol de electrocutare.*



*Turație variabilă electronic.*



*Nu utilizați în ploaie.*



*Destinat numai utilizării în interior.*



*Mașină clasa II - Izolație dublă - Nu aveți nevoie de o priză împământată.*



*Legătură de siguranță în miniatură de tip Time-lag.*



*Temperatură maximă 45°C.*



*Nu aruncați acumulatorul în foc.*



*Nu aruncați acumulatorul în apă.*



*Purtați echipament de protecție pentru ochi.*



*Purtați protecții antifonice.*



*Nu aruncați produsul în containere neadecvate.*



*Colectare separată pentru acumulatorul Li-ion.*



**CE** *Produsul este în conformitate cu standardele de siguranță aplicabile din directivele europene.*

## AVERTISMENTE GENERALE DE SIGURANȚĂ PRIVIND SCULELE ELECTRICE



**AVERTISMENT!** *Citiți toate manualele cu avertismentele și instrucțiunile pentru consultare ulterioară. Nerespectarea avertismentelor și instrucțiunilor poate cauza producerea de electrocutări, incendii și/sau răniri grave.*

**Păstrați toate manualele cu avertismentele și instrucțiunile pentru consultare ulterioară.**

Termenul „unealtă electrică” din avertismente se referă la unealta electrică (cu fir) alimentată de la rețea sau la unealta electrică cu acumulator (fără fir).

### 1) Siguranța zonei de lucru

- Păstrați zona de lucru curată și bine iluminată.** Zonele dezordonate sau întunecate pot duce la producerea de accidente.
- Nu operați sculele electrice în atmosfere explozive, cum ar fi în prezența lichidelor, gazelor sau pulberilor explozive.** Sculele electrice generează scânteii care pot declanșa explozii sau incendii.
- Țineți la distanță copiii și persoanele din jur în timp ce operați o unealtă electrică.** Distragerea atenției poate cauza pierderea controlului.

### 2) Siguranța electrică

- Ștecherile sculelor electrice trebuie să se potrivească cu priza. Nu modificați niciodată în nici un fel mufele. Nu folosiți adaptoare de priză cu scule electrice legate de pământ (împământate).** Mufele nemodificate și prizele adecvate reduc riscul de electrocutare.
- Evitați contactul corpului cu suprafețele împământate precum țevi, radiatoare, cuptoare și frigider.** Există un risc mai mare de electrocutare dacă vă este corpul împământat.
- Nu expuneți sculele electrice la ploaie sau condiții de umezeală.** Apa care pătrunde într-o sculă electrică va spori riscul de electrocutare.
- Nu manipulați necorespunzător cablul. Nu folosiți niciodată cablul pentru a purta, a trage sau a deconecta scula electrică. Feriți cablul de căldură, ulei, margini ascuțite sau piese mobi-**

**le.** Cablurile distruse sau încurcate cresc riscul de electrocutare.

- Atunci când operați o unealtă electrică în aer liber, utilizați un cablu prelungitor pentru exterior.** Folosirea unui cordon potrivit pentru utilizarea în exterior reduce riscul de șoc electric.
- În cazul în care operarea unei unelte electrice într-un spațiu cu umiditate nu poate fi evitată, utilizați o alimentare cu protecție pentru dispozitivele de curent rezidual (RCD).** Utilizarea unui RCD reduce riscul de electrocutare.

### 3) Siguranța personală

- Fiți precauți, fiți atenți la ceea ce faceți și respectați regulile de bun simț atunci când operați o unealtă electrică. Nu utilizați o sculă electrică atunci când sunteți obosit sau sub influența medicamentelor, alcoolului sau medicației.** Un moment de neatenție în timpul operării sculelor electrice poate cauza vătămări corporale grave.
- Utilizați echipamentul de protecție corporală. Purtați întotdeauna protecție pentru ochi.** Echipamentul de protecție precum masca de praf, pantofii de protecție antiderapanți, casca de protecție sau protecția auzului, utilizate în condiții adecvate vor reduce pericolul de accidentare.
- Preîntâmpinați pornirea accidentală. Asigurați-vă că întrerupătorul este în poziția oprit, înainte de a vă conecta la sursa de alimentare (curent electric sau baterie), de a ridica sau transporta scula.** Transportul sculei electrice ținând degetul pe întrerupător sau alimentarea sculelor electrice care au comutatorul pornit poate duce la accidente.
- Îndepărtați orice cheie sau clește de reglare înainte de a porni scula electrică.** O cheie sau un clește rămas atașat la o componentă rotativă a sculei electrice poate conduce la vătămări corporale.
- Nu vă întindeți pentru a utiliza scula de lucru. Mențineți-vă întotdeauna stabilitatea și echilibrul.** Acest lucru permite un control mai bun al sculei electrice în situații neașteptate.
- Îmbrăcați-vă corespunzător. Nu purtați haine largi sau bijuterii. Țineți-vă părul, îmbrăcăminte și mânușile departe de componentele mobile.** Hainele largi, bijuteriile sau părul lung pot fi prinse în componentele mobile.
- În cazul în care dispozitivele prezintă posibilitatea conectării de accesorii pentru aspirația**

- și colectarea prafului, asigurați-vă că aceste accesorii sunt conectate și utilizate în mod corespunzător.** Utilizarea colectării prafului poate reduce pericolele legate de praf.
- h) **Nu lăsați ca obișnuință obținută prin utilizarea frecventă a sculelor să vă permită să deveniți impasibil și să ignorați principiile de siguranță în utilizarea sculelor.** O utilizare neglijentă poate provoca accidente grave într-o fracțiune de secundă.
- 4) Utilizarea și îngrijirea sculelor electrice**
- a) **Nu forțați scula electrică. Utilizați scula electrică adecvată aplicației dvs.** Scula electrică corespunzătoare va face munca mai ușoară și mai sigură.
- b) **Nu utilizați scula electrică în cazul în care întreprinderul nu comută în poziția pornit și oprit.** Orice sculă electrică care nu poate fi controlată cu comutatorul este periculoasă și trebuie reparată.
- c) **Deconectați ștecherul de la sursa de alimentare și/sau acumulatorul de la scula electrică înainte efectuării oricăror reglaje, modificării accesoriilor sau depozitării sculelor electrice.** Aceste măsuri preventive de precauție reduc riscul de pornire accidentală.
- d) **Nu depozitați sculele electrice în stare inactivă la îndemâna copiilor și nu permiteți persoanelor nefamiliarizate cu scula de lucru sau cu aceste instrucțiuni să o utilizeze.** Sculele electrice sunt periculoase în mâinile utilizatorilor neinstruiți.
- e) **Efectuați întreținerea sculelor electrice. Verificați dacă componentele mobile sunt corect montate sau înțepenite, dacă există piese sparte și în orice altă stare care poate afecta utilizarea sculei electrice. În cazul deteriorării, reparați scula electrică înainte de utilizare.** Multe accidente sunt cauzate de sculele electrice deficitare întreținute.
- f) **Păstrați sculele de tăiat ascuțite și curate.** Sculele ascuțite corect întreținute cu muchiile ascuțite au mai puține șanse să se înțepenească și sunt mai ușor de utilizat.
- g) **Utilizați scula electrică, accesoriile și cuțitele sculei etc. conform acestor instrucțiuni, ținând cont de condițiile de lucru și de lucrarea ce trebuie să fie efectuată.** Utilizarea sculei electrice pentru operații diferite de cele pentru care a fost proiectată poate avea ca rezultat o situație periculoasă.
- h) **Țineți mânerul și suprafețele de prindere uscate, curate și lipsite de ulei și unsoare.** Mânere și suprafețele de prindere alunecoase nu permit manipularea și controlul sculei în situații neașteptate.
- 5) Utilizarea și îngrijirea bateriei uneltei**
- a) **Reîncărcați folosind exclusiv încărcătorul specificat de către producător.** Un încărcător neadecvat pentru un anumit tip de acumulator poate genera risc de incendiu atunci când este utilizat cu un alt tip de acumulator.
- b) **Utilizați sculele electrice exclusiv împreună cu acumulatorii specificați.** Utilizarea oricăror alți acumulatori poate genera riscuri de vătămare și incendiu.
- c) **Atunci când nu folosiți acumulatorul, păstrați-l ferit de alte obiecte metalice, precum agrafe de birou, monede, chei, cuie, șuruburi sau alte obiecte metalice mici care pot realiza conexiunea între cele două borne.** Scurtcircuitarea bornelor acumulatorului poate cauza arsuri sau incendii.
- d) **În condiții de utilizare incorectă, este posibil să fie evacuat lichid din baterie; evitați contactul cu acesta. În cazul în care se produce accidental contactul, clătiți cu apă. Dacă lichidul intră în contact cu ochii, solicitați ajutor medical suplimentar.** Lichidul scurs din acumulator poate cauza iritații sau arsuri.
- e) **Nu folosiți un acumulator sau o unealtă care este deteriorată sau modificată.** Acumulatorii deteriorați sau modificați pot avea un comportament imprevizibil care pot genera incendii, explozie sau risc de rănire.
- f) **Nu expuneți acumulatorul sau unealta la foc sau temperatură excesivă.** Expunerea la foc sau temperaturi de peste 130 °C poate provoca explozie. OBSERVAȚIE Temperatura „130 °C” poate fi echivalată cu temperatura „265 °F”.
- g) **Respectați toate instrucțiunile de încărcare și nu încărcați acumulatorul sau scula în afara intervalului de temperatură specificat în instrucțiuni.** Încărcarea necorespunzătoare sau la temperaturi în afara domeniului specificat poate deteriora acumulatorul și poate crește riscul de incendiu.
- 6) Service**
- a) **Prevedeți repararea uneltei electrice de către o persoană calificată, folosind exclusiv piese**

- de schimb identice.** Acest lucru va garanta păstrarea în siguranță a sculei electrice.
- b) **Niciodată nu servișați acumulatorii deteriorați.** Repararea acumulatorilor trebuie efectuată numai de către producător sau centrele autorizate de service.
- c) **În cazul în care cablul de alimentare este deteriorat, acesta trebuie înlocuit de către producător, de către agentul de service sau de către persoane calificate în mod similar, pentru a evita pericolele.**

### AVERTIZĂRI SUPPLEMENTARE DE SIGURANȚĂ PENTRU CHEILE CU CLICHET, FĂRĂ FIR

1. Țineți scula electrică numai de suprafețele de prindere izolate atunci când efectuați operații în care dispozitivul de fixare ar putea atinge anumite fire ascunse. Dispozitivele de fixare care ating un cablu „sub tensiune” pot face ca părțile metalice expuse ale sculei electrice să se afle „sub tensiune”, ceea ce poate provoca electrocutarea operatorului.
2. Țineți bine unealta.
3. Asigurați-vă că aveți o poziție stabilă. Asigurați-vă că la utilizarea unelei la înălțime nu există persoane dedesubt.
4. Purtați protecții antifonice.
5. Verificați cu atenție tubulara de impact cu privire la uzură, fisuri sau deteriorări, înainte de instalare.
6. Țineți mâinile la distanță de părțile rotative.
7. Nu atingeți capul cheii, priza de impact, șurubul, piulița sau piesa de lucru imediat după operare. Acestea pot fi extrem de fierbinți și v-ar putea arde pielea.

### AVERTISMENTE DE SIGURANȚĂ PENTRU ACUMULATOR

- a) **Nu deschideți acumulatorul.** Pericol de scurtcircuitare.
- b) **Protejați acumulatorul împotriva căldurii, de ex. împotriva expunerii puternice la soare, foc, apă și umiditate.** Pericol de explozie.
- c) **În cazul deteriorării și utilizării necorespunzătoare a acumulatorului, pot fi emiși vapori. Ventilați zona și solicitați asistență medicală în caz de sesizări.** Vaporii pot irita sistemul respirator.
- d) **Utilizați acumulatorul numai împreună cu produsul dvs. Vonroc.** Numai această măsură protejează acumulatorul împotriva supraîncărcării periculoase.

- e) **Acumulatorul poate fi deteriorat de obiecte ascuțite, cum ar fi cuie sau șurubelnițe sau prin forță aplicată extern.** Poate apărea un scurtcircuit intern și acumulatorul poate arde, exploda sau supraîncălzi.

### AVERTISMENTE DE SIGURANȚĂ PENTRU STAȚII DE ÎNCĂRCARE

#### Domeniul de utilizare

Încărcați doar acumulatorii de tip CD801AA și CD803AA cu încărcătorul. Alte tipuri de acumulatori pot exploda provocând rănire personală și daune.

- a) **Aparatul nu trebuie utilizat de către persoane (inclusiv copii) cu capacități fizice, senzoriale sau mentale reduse, sau de către persoane lipsite de experiență și cunoștințe, cu excepția cazului în care acestea au fost supravegheate și instruite.**
- b) **Nu lăsați copiii nesupravegheați să se joace cu aparatul.**
- c) **Nu reîncărcați bateriile ne-reîncărcabile!**
- d) **În timpul încărcării, acumulatorii trebuie amplasați într-o zonă bine ventilată!**

#### Instrucțiuni de siguranță privind alimentarea electrică



*Verificați întotdeauna ca tensiunea de la alimentarea cu energie să corespundă tensiunii de pe plăcuța cu specificații.*

- Nu utilizați aparatul dacă cablul de alimentare sau ștecherul de alimentare este deteriorat.
- Folosiți numai cabluri prelungitoare adecvate pentru puterea mașinii cu o grosime minimă de 1,5 mm<sup>2</sup>. Dacă utilizați o bobină de cablu de extensie, derulați întotdeauna complet cablul.

## 2. INFORMAȚII CU PRIVIRE LA MAȘINA

#### Domeniul de utilizare

Mașina este concepută pentru înșurubarea și desfacerea șuruburilor și a bolțurilor, precum și pentru strângerea și desfacerea piulițelor, conform specificațiilor tehnice. Domeniul principal de activitate este în industria autovehiculelor, construcția metalelor sau lucrările pe acoperișuri. Dispozitivul nu este conceput pentru găurire.

**SPECIFICAȚII TEHNICE**

Acest manual a fost realizat pentru diferite numere de seturi/articole. Verificați numărul articolului corespunzător în tabelul de specificații de mai jos pentru a vedea compoziția și conținutul exact al setului.

Nr. model	Acumulatori inclus	Încărcătoare inclus
<b>RW501DC</b>	-	-
<b>S_RW501DC</b>	CD801AA	CD802AA
<b>S2_RW501DC</b>	2 x CD801AA	CD802AA
<b>S3_RW501DC</b>	CD803AA	CD802AA

**Informații despre mașină**

Tensiune nominală	20 V
Turație la mers în gol	0-260/min
Mandrină	Mandrină cu prindere pătrată 3/8"
Cuplu max.	50 Nm
Greutate	1,2 kg
Clasă IP	IPX0
Nivelul presiunii sonore $L_{PA}$	75,2 dB(A), K=3dB(A)
Nivelul puterii sonore $L_{WA}$	86,2 dB(A), K=3dB(A)
Vibrație	2,069 m/s <sup>2</sup> K=1,5 m/s <sup>2</sup>

Nr. model	CD801AA
Tip acumulator	Litiu ion
Tensiune	20 V
Capacitate	2,0 Ah
Încărcător recomandat	CD802AA
Greutate	0,3 kg

Nr. model	CD802AA
Intrare încărcător	220-240V, 50Hz 0,4A
Ieșire încărcător	21V  2,5A
Timp de încărcare acumulator 2 Ah	60 minute
Timp de încărcare acumulator 4Ah	120 minute
Acumulatori recomandați	CD801AA, CD803AA
Greutate	0,36 kg

Nr. model	CD803AA
Tip acumulator	Litiu ion
Tensiune	20 V
Capacitate	4,0 Ah
Încărcător recomandat	CD802AA
Greutate	0,65 kg

Utilizați numai următoarele baterii ale platformei VONROC VPOWER 20V. Utilizarea altor baterii poate provoca vătămări corporale grave sau defectarea sculei.

CD801AA 20 V, 2 Ah Litiu-Ion  
CD803AA 20 V, 4 Ah Litiu-Ion

Următorul încărcător al dispozitivului poate fi utilizat pentru a încărca aceste baterii.

CD802AA Încărcător rapid

Bateriile platformei VONROC VPOWER 20V sunt interschimbabile cu toate uneltele VONROC VPOWER 20V.

**Nivelul vibrațiilor**

Nivelul emisiilor de vibrații menționat în acest manual de instrucțiuni a fost măsurat în conformitate cu un test standardizat precizat în EN 62841; poate fi folosit pentru a compara o sculă cu alta și ca evaluare preliminară a expunerii la vibrații atunci când folosiți scula pentru aplicațiile menționate.

- Utilizarea sculei pentru aplicații diferite sau cu accesorii diferite și prost întreținute, poate crește semnificativ nivelul de expunere.
- Momentele în care scula este oprită sau când funcționează dar nu execută nicio lucrare, pot reduce semnificativ nivelul de expunere.

Protejați-vă împotriva efectelor vibrațiilor prin întreținerea sculei și a accesoriilor sale, păstrând mâinile calde și organizând procesele de lucru.

### DESCRIERE

Numerele din text se referă la diagramele de la paginile 2-3.

1. Mașina
2. Acumulator
3. Buton deblocare acumulator
4. Lumină de lucru
5. Comutator pornire/oprire
6. Mandrină cu prindere pătrată 3/8" (9,5 mm)
7. Comutator direcție
9. Mâner de blocare
10. Buton indicator cu LED pentru acumulator
11. Indicatori acumulator LED
12. Încărcător
13. Indicatori LED încărcător

### 3. ASAMBLAREA



Înainte de orice lucrare asupra aparatului, decuplați acumulatorul.



Înainte de prima utilizare, acumulatorul trebuie să fie încărcat.

#### Introducerea acumulatorului în mașină (Fig. B)



Asigurați-vă că exteriorul acumulatorului este curat și uscat înainte de a îl conecta la acumulator sau la mașină.

1. Introduceți acumulatorul (2) în suportul mașinii, așa cum este indicat în Fig. B.
2. Apăsăți acumulatorul până când se fixează în poziție.

#### Scoaterea acumulatorului din aparat (Fig. B)

1. Apăsăți butonul de deblocare a acumulatorului (3).
2. Trageți acumulatorul din aparat, așa cum este indicat în Fig. B.

#### Verificarea nivelului de încărcare a acumulatorului (Fig. C)

- Pentru a verifica nivelul de încărcare a acumulatorului, apăsați scurt butonul (10) de pe acumulator.

- Acumulatorul este prevăzut cu 3 lumini care indică nivelul de încărcare, numărul de lumini aprinse semnifică gradul de încărcare a acumulatorului.
- Atunci când luminile sunt stinse, acest lucru semnifică faptul că acumulatorul este descărcat și trebuie încărcat imediat.

#### Încărcarea acumulatorului folosind încărcătorul (Fig. C)

1. Scoateți acumulatorul (2) din mașină.
2. Întoarceți invers acumulatorul (2) și împingeți-l în încărcător (12), așa cum este indicat în Fig. C.
3. Apăsăți acumulatorul până când este introdus complet în locaș.
4. Conectați mufa încărcătorului la o priză electrică și așteptați o perioadă. Indicatorii LED de pe încărcător (13) se vor aprinde și vor indica nivelul de încărcare.

#### Încărcătorul are 2 indicatori LED (13), care indică nivelul procesului de încărcare:

LED roșu de stare	LED verde de stare	Stare încărcător
Oprit	Oprit	Fără alimentare
Oprit	Pornit	Mod de așteptare: - Nu este niciun acumulator introdus sau - Acumulator introdus dar încărcarea s-a sfârșit
Pornit	Oprit	Încărcare acumulator în curs

- Încărcarea completă a acumulatorului de 2Ah poate dura până la 60 minute.
- Încărcarea completă a acumulatorului de 4Ah poate dura până la 120 minute.

După încărcarea completă a acumulatorului, scoateți mufa încărcătorului din priză și îndepărtați acumulatorul din încărcător.



Atunci când nu folosiți mașina, este indicat să depozitați acumulatorul în stare încărcată.

### Demontarea și montarea accesoriilor

- Oprțiți mașina.
- Scoateți priza din mandrină (6), în cazul în care există.
- Fixați priza nouă pe mandrină (6).
- Verificați dacă priza este atașată în mod corespunzător.
- Pentru îndepărtarea prizei, pur și simplu trageți-o.

## 4. OPERAREA

### Pornirea și oprirea mașinii (Fig. A)

Comutatorul de pornire/oprire (5) este utilizat pentru acționarea mașinii și reglarea vitezei de rotație.

- Apăsarea comutatorului pornire/oprire (5) va acționa mașina, cu cât este apăsat mai tare comutatorul, cu atât viteza de găurire va crește.
- Eliberarea comutatorului pornire/oprire (5) va opri mașina.
- Mânerul de blocare (9) este destinat prevenirii apăsării accidentale a comutatorului (5). Când mânerul de blocare este în poziția blocat, comutatorul nu poate fi acționat. Când mânerul de blocare este în poziția deblocat, mânerul comutatorului poate fi acționat.



*Așezați mașina numai după ce s-a oprit complet din funcțiune. Nu o așezați pe o suprafață prăfuită, deoarece particulele de praf pot pătrunde în mecanism.*

### Reglarea direcției de rotație (Fig. A)

- Setați comutatorul de direcție (7) în poziția „F” pentru a îndepărta șuruburile sau piulițele.
- Setați comutatorul de direcție (7) în poziția „R” pentru a îndepărta șuruburile sau piulițele.

### Lampă de lucru (Fig. A)

Mașina este dotată cu o lumină de lucru (4) pentru a lumina zona de lucru.

- Aceasta se aprinde automat când este apăsat comutatorul pornire/oprire.
- Aceasta se închide automat când este eliberat comutatorul pornire/oprire.

## 5. ÎNTREȚINEREA



*Înainte de curățare și întreținere, opriți alimentarea electrică a mașinii și scoateți acumulatorul din mașină.*

Curățați regulat carcasa cu o cârpă moale, de preferat după fiecare utilizare. Asigurați-vă că deschiderile sunt lipsite de praf și murdărie. Îndepărtați murdăria persistentă cu o cârpă moale înmuiată în clăbuci de săpun. Nu folosiți solvenți precum benzină, alcool, amoniac etc. Astfel de substanțe chimice vor deteriora componentele din plastic.

## MEDIU



*Aparatele electrice sau electronice deteriorate și/sau defecte trebuie colectate în punctele de reciclare corespunzătoare.*

### Numai pentru țările din CE

Nu aruncați echipamentele acționate electric împreună cu gunoii menajer. Conform Indicației europene 2012/19/CE pentru echipamente electrice și electronice uzate și a implementării sale la nivel național, echipamentele acționate electric scoase din uz trebuie colectate separat și evacuate într-o manieră ecologică.

## GARANȚIE

Produsele VONROC sunt realizate la cele mai înalte standarde de calitate și sunt garantate în privința materialelor și a manoperei pentru întreaga perioadă de utilizare în garanție, începând cu data achiziției. În cazul în care produsul prezintă defecțiuni în perioada de garanție din cauza materialului defect și/sau a manoperei, contactați direct VONROC.

Următoarele circumstanțe sunt excluse de la această garanție:

- Reparațiile sau modificările efectuate sau care s-au încercat a fi efectuate de centre de service neautorizate;
- Uzura în condiții normale de utilizare;
- Scula care a fost utilizată în mod abuziv sau neglijent sau întreținută în mod inadecvat;
- Folosirea unor piese de schimb neoriginale.

Aceasta acoperă garanția companiei, explicită sau implicită. Nu există alte garanții explicite sau implicite care să se extindă dincolo de cele indicate aici, incluzând garanțiile, vandabilitatea sau adecvarea pentru un anumit scop. În nicio situație, VONROC nu este responsabil pentru daunele accidentale sau subsecvente. Reparațiile efectuate de reprezentant

trebuie să fie limitate la reparațiile sau la înlocuirea unităților sau a pieselor neconforme.

**Produsul și manualul de utilizare pot suferi modificări. Specificațiile se pot modifica fără notificare prealabilă.**

## 1. INSTRUÇÕES DE SEGURANÇA

Leia os avisos de segurança fornecidos, os avisos de segurança adicionais e as instruções. O não cumprimento dos avisos de segurança e das instruções pode resultar em choque eléctrico, incêndio e/ou ferimentos graves. Guarde os avisos de segurança e as instruções para referência futura.

Os seguintes símbolos são utilizados no manual do utilizador ou no equipamento:



*Leia o manual do utilizador.*



*Indica o risco de ferimentos, morte ou danos na ferramenta se as instruções indicadas neste manual não forem seguidas.*



*Risco de choque eléctrico.*



*Velocidade electrónica variável.*



*Não utilizar debaixo de chuva.*



*Apenas para utilização no interior.*



*Máquina de classe II - Isolamento duplo  
- Não é necessário uma ficha com ligação à terra.*



*Fusível miniatura com desfasamento.*



*Temperatura máx. de 45 °C.*



*Não deite a bateria no fogo.*



*Não coloque a bateria dentro de água.*



*Use protecção ocular.*



*Use protecção auricular.*



*Não elimine o produto em depósitos não adequados.*



*Faça a recolha selectiva de baterias de iões de lítio.*



*O equipamento está em conformidade com as normas de segurança aplicáveis nas directivas europeias.*

## AVISOS GERAIS DE SEGURANÇA SOBRE FERRAMENTAS ELÉCTRICAS



**AVISO!** *Leia todos os avisos de segurança e instruções. O não cumprimento dos avisos e das instruções pode causar choque eléctrico, incêndio e/ou ferimentos graves.*

### Guarde todos os avisos e instruções para referência futura.

O termo “ferramenta eléctrica” indicado nos avisos diz respeito à ferramenta eléctrica alimentada pela rede de electricidade (com fio) ou à ferramenta eléctrica que funciona com baterias recarregáveis (sem fio).

- 1) **Segurança da área de trabalho**
  - a) **Mantenha a área de trabalho limpa e devidamente iluminada.** As áreas obstruídas ou escuras são propícias a acidentes.
  - b) **Não utilize ferramentas eléctricas em ambientes explosivos, por exemplo, na presença de líquidos inflamáveis, gases ou pó.** As ferramentas eléctricas produzem faíscas que podem causar ignição de pó ou vapores.
  - c) **Quando utilizar uma ferramenta eléctrica, mantenha as crianças e transeuntes afastados.** As distrações podem causar perda de controlo.
- 2) **Segurança eléctrica**
  - a) **As fichas da ferramenta eléctrica devem corresponder à tomada. Nunca modifique, de forma alguma, a ficha. Não utilize quaisquer fichas adaptadoras com ferramentas eléctricas ligadas à terra (massa).** As fichas e tomadas correspondentes não modificadas reduzem o risco de choque eléctrico.
  - b) **Evite o contacto do corpo com superfícies ligadas à terra ou massa, como tubos, radiadores, fogões ou frigoríficos.** Há maior risco de choque eléctrico se o corpo estiver ligado à terra ou à massa.
  - c) **Não exponha as ferramentas eléctricas à chuva ou a ambientes húmidos.** A entrada de água numa ferramenta eléctrica aumenta o risco de choque eléctrico.
  - d) **Não utilize o cabo de maneira abusiva. Nunca utilize o cabo para transportar, puxar ou desligar a ferramenta eléctrica. Mantenha o cabo afastado de fontes de calor, óleo, extremidades afiadas ou peças móveis.** Se os cabos estiverem danificados ou enrolados, há maior risco de choque eléctrico.
  - e) **Quando utilizar uma ferramenta eléctrica no exterior, opte por uma extensão adequada para utilização no exterior.** A utilização de um cabo adequado para utilização no exterior reduz o risco de choque eléctrico.
  - f) **Se não for possível evitar trabalhar com uma ferramenta eléctrica num local húmido, utilize uma fonte de alimentação protegida por um dispositivo de corrente residual (DCR).** A utilização de um DCR reduz o risco de choque eléctrico.
- 3) **Segurança eléctrica**
  - a) **Esteja atento, preste atenção ao que está a fazer e tenha bom senso quando utilizar uma ferramenta eléctrica. Não utilize uma ferramenta eléctrica se estiver cansado ou sob o efeito de drogas, álcool ou medicamentos.** Um momento de distração durante a utilização de ferramentas eléctricas pode resultar em ferimentos graves.
  - b) **Use equipamento de protecção individual. Use sempre protecção ocular.** O equipamento de protecção, como, por exemplo, máscara de poeiras, sapatos de segurança antiderrapantes, capacete de segurança ou protecção auditiva, utilizado nas condições adequadas, reduz o risco de ferimentos.
  - c) **Evite accionamentos acidentais. Assegure-se de que o interruptor está desligado antes de ligar a ferramenta à corrente eléctrica e/ou as baterias e antes de levantar ou transportar a ferramenta.** O transporte de ferramentas eléctricas com o dedo colocado no interruptor ou a ligação à corrente das ferramentas eléctricas com o interruptor ligado pode dar origem a acidentes.
  - d) **Retire eventuais chaves de ajuste ou chaves de fendas antes de ligar a ferramenta eléctrica.** Uma chave de fendas ou de ajuste montada numa peça rotativa da ferramenta eléctrica pode causar ferimentos.
  - e) **Não tente chegar a pontos fora do alcance. Mantenha-se sempre numa posição bem**



**apoiada e equilibrada.** Desta forma, é mais fácil controlar a ferramenta eléctrica em situações inesperadas.

- f) **Use vestuário adequado. Não use roupa larga ou jóias. Mantenha o cabelo, a roupa e as jóias afastados das peças móveis.** As roupas largas, as jóias ou o cabelo comprido podem ficar presos nestas peças.
  - g) **Se for prevista a montagem de dispositivos de extracção e recolha de pó, assegure-se de que estão ligados e que são utilizados de forma correcta.** A utilização de dispositivos de extracção de pó pode reduzir os riscos inerentes.
  - h) **Não permita que a familiaridade obtida através do uso frequente de ferramentas faça com que seja complacente e ignore os princípios de segurança da ferramenta.** Uma acção irreflectida pode causar ferimentos graves numa fracção de segundos.
- 4) Utilização e cuidados a ter com a ferramenta com baterias**
- a) **Não sobrecarregue a ferramenta eléctrica. Utilize a ferramenta eléctrica correcta para o seu trabalho.** A ferramenta eléctrica adequada efectua o trabalho de maneira mais eficiente e segura se for utilizada de acordo com a capacidade para a qual foi concebida.
  - b) **Não utilize a ferramenta eléctrica se não conseguir ligar ou desligar o interruptor.** Qualquer ferramenta eléctrica que não possa ser controlada através do interruptor é perigosa e deve ser reparada.
  - c) **Retire a ficha da fonte de alimentação e/ou a bateria da ferramenta eléctrica antes de efectuar quaisquer ajustes, substituir acessórios ou guardar ferramentas eléctricas.** Estas medidas de segurança preventivas reduzem o risco de ligar a ferramenta eléctrica acidentalmente.
  - d) **Mantenha as ferramentas eléctricas que não estiverem a ser utilizadas fora do alcance das crianças. Não permita que a ferramenta eléctrica seja utilizada por pessoas não familiarizadas com a mesma ou que não tenham lido estas instruções.** As ferramentas eléctricas são perigosas nas mãos de pessoas que não possuam as qualificações necessárias para manuseá-las.
  - e) **Faça a manutenção das ferramentas eléctricas. Verifique se as peças móveis da ferramenta eléctrica estão alinhadas e não bloqueiam, bem como se existem peças partidas ou da-**

**nificadas ou quaisquer outras condições que possam afectar o funcionamento da mesma. Se a ferramenta eléctrica estiver danificada, esta só deve ser utilizada depois de ser reparada.**

Muitos acidentes têm como principal causa ferramentas eléctricas com uma manutenção insuficiente.

- f) **Mantenha as ferramentas de corte afiadas e limpas.** As ferramentas de corte sujeitas a uma manutenção adequada, com arestas de corte afiadas, bloqueiam com menos frequência e controlam-se com maior facilidade.
  - g) **Utilize a ferramenta eléctrica, os acessórios e as peças de ferramenta, etc., de acordo com estas instruções, considerando as condições de trabalho e a tarefa a ser executada.** A utilização da ferramenta eléctrica para fins diferentes dos previstos pode resultar em situações perigosas.
  - h) **Mantenha as pegas e as superfícies de fixação secas, limpas e sem óleo e gordura.** Os punhos e as superfícies de fixação não permitem o manuseamento e o controlo seguros da ferramenta em situações imprevistas.
- 5) Utilização e cuidados a ter com a ferramenta com baterias**
- a) **Recarregue apenas com o carregador especificado pelo fabricante.** Um carregador adequado para um tipo de bateria pode causar um incêndio se for utilizado com outra bateria.
  - b) **Utilize apenas ferramentas eléctricas que tenham baterias especificamente concebidas.** A utilização de outro tipo de baterias pode causar ferimentos e incêndio.
  - c) **Quando não utilizar a bateria, mantenha-a afastada de outros objectos metálicos, tais como cliques para papel, moedas, chaves, pregos, parafusos ou outros pequenos objectos metálicos que permitam fazer a ligação entre terminais.** O curto-circuito dos terminais da bateria pode causar queimaduras ou um incêndio.
  - d) **Em condições abusivas, pode derramar líquido da bateria, devendo evitar o contacto. Se tocar acidentalmente no líquido, lave bem com água. Se o líquido entrar em contacto com os olhos, consulte um médico.** O líquido derramado da bateria pode causar irritação ou queimaduras.
  - e) **Não utilize baterias ou ferramentas danificadas ou modificadas.** As baterias danificadas ou modificadas podem ter um comportamento

inesperado, resultando em incêndio, explosão ou risco de ferimentos.

- f) **Não exponha a bateria ou a ferramenta ao fogo ou a temperaturas excessivas.** A exposição a fogo ou a temperaturas superiores a 130 °C podem causar uma explosão. NOTA: a temperatura "130 °C" pode ser substituída pela temperatura "265 °F".
- g) **Siga todas as instruções de carregamento e não carregue a bateria ou a ferramenta fora do intervalo de temperaturas especificado nas instruções.** O carregamento inadequado ou de acordo com temperaturas fora do intervalo especificado pode danificar a bateria e aumentar o risco de incêndio.
- 6) Assistência**
- a) **A sua ferramenta eléctrica deve ser reparada apenas por pessoal qualificado e só devem ser utilizadas peças sobresselentes idênticas.** Desta forma, é garantida a segurança da ferramenta eléctrica.
- b) **Nunca repare baterias danificadas.** A reparação de baterias deve ser efectuada apenas pelo fabricante ou fornecedores de assistência autorizados.
- c) **Se o cabo de alimentação estiver danificado, deve ser substituído pelo fabricante, o respectivo técnico de assistência ou técnicos devidamente qualificados para evitar uma situação de perigo.**

### AVISOS DE SEGURANÇA ADICIONAIS SOBRE CHAVES COM CATRACA SEM FIO

1. Segure a ferramenta eléctrica apenas pelas superfícies da pega isoladas, quando efectuar uma operação em que o parafuso possa entrar em contacto com a cablagem escondida. Os parafusos em contacto com um fio sob tensão podem fazer com que as partes metálicas expostas da ferramenta fiquem sob tensão e podem causar um choque eléctrico no utilizador.
2. Segure na ferramenta com firmeza.
3. Se utilizar a ferramenta num plano elevado, não devem estar pessoas abaixo da ferramenta.
4. Use protecção auricular.
5. Antes da instalação, verifique com atenção se a aparafusadora de impacto apresenta sinais de desgaste, rachas ou danos.
6. Mantenha as mãos afastadas das peças rotativas.

7. Não toque na parte superior da catraca, aparafusadora de impacto, perno, porca ou na peça de trabalho imediatamente após utilização prolongada. Estes podem estar demasiado quentes e podem causar queimaduras na sua pele.

### AVISOS DE SEGURANÇA SOBRE A BATERIA

- a) **Não abra a bateria.** Perigo de curto-circuito.
- b) **Proteja a bateria do calor, por exemplo, contra exposição contínua a luz solar, fogo, água e humidade.** Perigo de explosão.
- c) **Em caso de danos e uso inadequado da bateria, podem ser emitidos vapores. Ventile a área e contacte um médico se houver queixas.** Os vapores podem irritar o sistema respiratório.
- d) **Utilize a bateria em conjunto com o seu produto industrial da Vonroc.** Esta é a única protecção contra sobrecarga perigosa.
- e) **A bateria pode ser perfurada por objectos danificados como pregos ou chaves de parafusos ou se for aplicada força externa.** Pode ocorrer um curto-circuito interno e a bateria pode queimar, causar fumo, explodir ou sobreaquecer.

### AVISOS DE SEGURANÇA SOBRE O CARREGADOR

#### Utilização pretendida

Deve utilizar apenas as baterias recarregáveis CD801AA e CD803AA no carregador. Outros tipos de baterias podem rebentar, causando ferimentos e danos.

- a) **O equipamento não deve ser utilizado por pessoas (incluindo crianças) com capacidades físicas, sensoriais ou mentais reduzidas ou com falta de experiência e conhecimentos, a menos que tenham supervisão ou instrução.**
- b) **As crianças devem ser vigiadas, para que não brinquem com o equipamento.**
- c) **Não recarregue baterias não recarregáveis!**
- d) **Durante o carregamento, as baterias devem ser colocadas em locais bem ventilados!**

#### Segurança eléctrica



Verifique sempre se a tensão da fonte de alimentação corresponde à tensão na placa sinalética.

- Não utilize a máquina se o cabo de alimentação ou se a tomada da rede estiver danificada.

- Utilize apenas extensões que sejam adequadas para a potência nominal da máquina com uma espessura mínima de 1,5 mm<sup>2</sup>. Se utilizar um enrolador de extensão, desenrole sempre o cabo por completo.

## 2. INFORMAÇÕES SOBRE A MÁQUINA

### Utilização pretendida

A máquina é concebida para apertar e desapertar parafusos e pernos, bem como apertar e desapertar porcas, de acordo com os dados técnicos. O principal ambiente visado é o sector automóvel, para tarefas de construção metálica ou em coberturas. O dispositivo não é concebido para perfuração.

### ESPECIFICAÇÕES TÉCNICAS



*Este manual foi elaborado para conjuntos/números de artigos diferentes. Verifique o número do artigo correspondente na tabela de especificações indicada abaixo para obter a composição e conteúdos correctos do seu conjunto.*

Modelo n.º	Baterias incluídas	Carregadores incluídos
<b>RW501DC</b>	-	-
<b>S_RW501DC</b>	CD801AA	CD802AA
<b>S2_RW501DC</b>	2 CD801AA	CD802AA
<b>S3_RW501DC</b>	CD803AA	CD802AA

Informações sobre a máquina	
Tensão nominal	20 V
Sem velocidade de carga	0 a 260/min
Mandril	Mandril hexagonal de 3/8"
Binário máx.	50 Nm
Peso	1,2 kg
Classe IP	IPX0
Nível de pressão sonora L <sub>PA</sub>	75,2 dB(A) K = 3 dB(A)
Nível de potência sonora L <sub>WA</sub>	86,2 dB(A), K = 3 dB(A)
Vibração	2,069 m/s <sup>2</sup> K = 1,5 m/s <sup>2</sup>

Modelo n.º	CD801AA
Tipo de bateria	lões de lítio
Tensão	20 V
Capacidade	2,0 Ah
Carregador recomendado	CD802AA
Peso	0,3 kg

Modelo n.º	CD802AA
Entrada do carregador	220 - 240 V, 50 Hz, 0,4 A
Saída do carregador	21 V  2,5 A
Tempo de carregamento de uma bateria de 2 Ah	60 minutos
Tempo de carregamento de uma bateria de 4 Ah	120 minutos
Baterias recomendadas	CD801AA, CD803AA
Peso	0,36 kg

Modelo n.º	CD803AA
Tipo de bateria	lões de lítio
Tensão	20 V
Capacidade	4,0 Ah
Carregador recomendado	CD802AA
Peso	0,65 kg

Utilize apenas as seguintes baterias da plataforma de baterias VONROC VPOWER, 20 V. A utilização de quaisquer outras baterias pode causar ferimentos graves ou danos na ferramenta.  
 CD801AA lões de lítio, 20 V, 2 Ah  
 CD803AA lões de lítio, 20 V, 4 Ah

O seguinte carregador pode ser utilizado para carregar estas baterias.  
 CD802AA Carregador rápido

As baterias da plataforma de baterias VPOWER de 20 V da VONROC podem ser utilizadas com todas as ferramentas da plataforma de baterias VPOWER de 20 V da VONROC.

### Nível de vibração

O nível de emissão de vibrações indicado neste manual de instruções foi medido em conformidade

com um teste padrão especificado pela norma EN 62841; pode ser utilizado para comparar ferramentas e como avaliação preliminar da exposição a vibrações quando utilizar a ferramenta nas aplicações indicadas.

- A utilização da ferramenta para aplicações diferentes, ou com acessórios diferentes ou com uma manutenção deficiente, pode aumentar consideravelmente o nível de exposição.
- O número de vezes que a ferramenta é desligada ou está ligada, mas não está a ser utilizada, pode reduzir significativamente o nível de exposição.

Proteja-se contra os efeitos da vibração, através de uma manutenção da ferramenta e dos respectivos acessórios, mantendo as mãos quentes e organizando os seus padrões de trabalho.

## DESCRIÇÃO

Os números indicados no texto dizem respeito aos diagramas nas páginas 2 e 3.

1. Informações
2. Bateria
3. Botão de desbloqueio da bateria
4. Luz de funcionamento
5. Interruptor para ligar/desligar
6. Mandril hexagonal de 3/8" (9,5 mm)
7. Comutador de direcção
9. Alavanca de fixação
10. Botão dos indicadores LED da bateria
11. Indicadores LED da bateria
12. Carregador
13. Indicadores LED do carregador

## 3. MONTAGEM



*Retire a bateria antes de efectuar qualquer tarefa na ferramenta eléctrica.*



*A bateria deve ser carregada antes de utilizá-la pela primeira vez.*

### Inserir a bateria na máquina (Fig. B)



*A parte exterior da bateria deve estar limpa e seca antes de ligá-la ao carregador ou máquina.*

1. Insira a bateria (2) na base da máquina, como indicado na Fig. B.

2. Continue a empurrar a bateria até encaixar no respectivo local.

### Retirar a bateria da máquina (Fig. B)

1. Carregue na patilha de desbloqueio da bateria (3).
2. Retire a bateria da máquina, como indicado na Fig. B.

### Verificar o estado de carregamento da bateria (Fig. C)

- Para verificar o estado de carga da bateria, carregue ligeiramente no botão (10) na bateria.
- A bateria tem 3 luzes que indicam o nível de carga, quanto maior for o número de luzes que se acenderem, maior é a carga restante na bateria.
- Se as luzes não se acenderem, isso significa que a bateria não tem carga e que deve carregá-la de imediato.

### Carregar a máquina com o carregador (Fig. C)

1. Retire a bateria (2) da máquina.
2. Vire a bateria (2) ao contrário e encaixe-a no carregador (12) como indicado na Fig. C.
3. Empurre a bateria até ficar totalmente encaixada na ranhura.
4. Ligue a ficha do carregador numa tomada eléctrica e aguarde uns instantes. Os indicadores LED no carregador (13) acendem-se e mostram o estado de carregador.

### O carregador tem 2 indicadores LED (13), que indicam o estado do processo de carregamento:

Estado do LED vermelho	Estado do LED verde	Estado do carregador
Desligado	Desligado	Sem energia
Desligado	Ligado	Modo de espera: - A bateria não foi inserida ou - A bateria foi inserida, mas o carregamento foi concluído
Ligado	Desligado	Carregamento da bateria em curso

- O carregamento total da bateria de 2 Ah pode demorar até cerca de 60 minutos.
- O carregamento total da bateria de 4 Ah pode demorar até cerca de 120 minutos.

Quando a bateria estiver totalmente carregada, retire a ficha do carregador da tomada e retire a bateria do carregador.



*Se não utilizar a máquina durante um período de tempo mais prolongado, é aconselhável guardar a bateria no estado carregado.*

#### Retirar e montar acessórios

- Desligue a máquina.
- Retire a chave do mandril (6), caso esteja alguma inserida.
- Encaixe a nova chave no mandril (6).
- Verifique se a chave está inserida correctamente.
- Para retirar a chave, basta puxá-la para fora.

## 4. FUNCIONAMENTO

### Ligar e desligar a máquina (Fig. A)

O interruptor para ligar/desligar (5) é utilizado para activar a máquina e ajustar a velocidade de rotação.

- Se premir o interruptor para ligar/desligar (5) irá activar a máquina, quanto mais premir o interruptor, mais rápida será a rotação do berbequim.
- Se libertar o interruptor para ligar/desligar (5), a máquina será parada.
- Para impedir que o gatilho (5) seja carregado acidentalmente, está instalada uma alavanca de fixação (9). Quando a alavanca de fixação está na posição de fixação, o gatilho não pode ser accionado. Quando a alavanca de fixação está na posição desbloqueada, a alavanca de fixação pode ser accionada.



*Só deve pousar a máquina depois de parar de funcionar por completo. Não coloque a máquina numa superfície com pó uma vez que podem entrar partículas de pó dentro do mecanismo.*

### Ajustar a direcção de rotação (Fig. A)

- Coloque o interruptor de direcção (7) na posição "F" para apertar parafusos ou porcas.
- Coloque o interruptor de direcção (7) na posição "R" para retirar parafusos ou porcas.

### Luz de trabalho (Fig. A)

A máquina está equipada com uma luz de funcionamento (4) para iluminar o local de trabalho.

- Liga-se automaticamente quando o interruptor para ligar/desligar é premido.
- Desliga-se automaticamente quando o interruptor para ligar/desligar é libertado novamente.

## 5. MANUTENÇÃO



*Antes de efectuar a limpeza e a manutenção, desligue sempre a máquina e retire a bateria da máquina.*

Limpe a caixa da máquina com regularidade com um pano macio, de preferência após cada utilização. Certifique-se de que as aberturas de ventilação não têm pó ou sujidade. Retire a sujidade muito persistente com um pano macio humedecido com água de sabão. Não utilize solventes, como gasolina, álcool, amoníaco, etc. Este tipo de produtos químicos danificam os componentes sintéticos.

## AMBIENTE



*Os equipamentos eléctricos ou electrónicos defeituosos e/ou eliminados devem ser recolhidos em locais de reciclagem adequados.*

### Apenas para os países da CE

Não elimine as ferramentas eléctricas em conjunto com os resíduos domésticos. De acordo com a directiva europeia 2012/19/CE sobre resíduos de equipamentos eléctricos e electrónicos e a respectiva implementação na legislação nacional, as ferramentas eléctricas que já não sejam utilizadas devem ser recolhidas em separado e eliminadas de maneira ecológica.

## GARANTIA

Os produtos da VONROC são desenvolvidos de acordo com os padrões de qualidade mais elevados e não têm quaisquer defeitos em termos de materiais e mão-de-obra em relação ao período estipulado por lei, cujo início é a partir da data de compra original. Se o equipamento apresentar qualquer falha durante este período devido a qualquer defeito no material e/ou de mão-de-obra, contacte a VONROC directamente.

As seguintes circunstâncias estão excluídas desta garantia:

- Se forem efectuadas ou tentadas quaisquer reparações e/ou alterações na máquina por centros de assistência não autorizados;
- Desgaste normal;
- Se a ferramenta foi utilizada de maneira abusiva, indevida ou a manutenção for efectuada de maneira incorrecta;
- Se forem utilizadas peças sobresselentes não originais.

Isto constitui a única garantia feita pela empresa, de maneira expressa ou implícita. Não existem quaisquer outras garantias expressas ou implícitas que se prolonguem, incluindo as garantias implícitas de comercialização e adequação para fins específicos. A VONROC não será, em nenhuma circunstância, responsável por danos incidentais ou indirectos. Os fornecedores devem estar limitados a reparar ou substituir as unidades ou peças que não estejam em conformidade.

**O equipamento e o manual do utilizador estão sujeitos a alterações sem aviso prévio. As especificações podem ser alteradas sem aviso prévio.**

## 1. BIZTONSÁGI UTASÍTÁSOK

Olvassa el a mellékelt biztonsági figyelmeztetéseket, a kiegészítő biztonsági figyelmeztetéseket és az utasításokat. A figyelmeztetések és utasítások be nem tartása áramütéshez, tűz keletkezéséhez vagy akár súlyos személyi sérüléshez vezethet. Őrizze meg a biztonsági figyelmeztetéseket és az utasításokat, hogy azokat később is használhassa referenciaként.

A használati útmutatóban és a terméken a következő jelölésekkel találkozhat:



*Olvassa el a használati útmutatót.*



*A jelen útmutató utasításainak be nem tartása esetén balesetveszély, életveszély vagy a szerszám károsodásának veszélyét jelöli.*



*Áramütés veszélye.*



*Elektromosan változtatható sebesség.*



*Esőben ne használja.*



*Csak beltéri használatra.*



*II. érintésvédelmi osztályú gép – kettős szigetelés: földelés nélküli csatlakozóaljzatról is használható.*



*Késleltetett mini biztosítóbetéttel.*



*Max. hőmérséklet 45 °C.*



*Az akkumulátort tűzbe dobni tilos.*



*Az akkumulátort vízbe dobni tilos.*



*Viseljen védőszemüveget.*



*Viseljen hallásvédő eszközt.*



*A terméket hulladékként ne tegye arra nem alkalmas konténerbe.*



*Li-ion akkumulátor szelektív gyűjtése.*

**CE** A termék megfelel az európai irányelvek rá vonatkozó biztonsági követelményeinek.

## AZ ELEKTROMOS GÉPEKRE VONATKOZÓ ÁLTALÁNOS BIZTONSÁGI FIGYELMEZTETÉSEK

**FIGYELMEZTETÉS!** Olvasson el minden biztonsági figyelmeztetést és utasítást. A figyelmeztetések és az utasítások be nem tartása áramütést, tüzet és/vagy súlyos sérülést okozhat.

**Az összes figyelmeztetést és utasítást őrizze meg, mert később még szüksége lehet rájuk.**

A figyelmeztetésben használt „elektromos szerszám” kifejezés a hálózatról működtetett (vezeték) elektromos szerszámra vagy akkumulátoros (vezeték nélküli) elektromos szerszámra utal.

### 1) A munkaterület biztonsága

- Gondoskodjon a munkaterület tisztaságáról és megfelelő megvilágításáról.** A rendezetlen és sötét területeken valószínűbb a balesetek előfordulása.
- Ne használja az elektromos szerszámokat robbanásveszélyes légtérben, például ahol gyúlékony folyadékok, gázok vagy por van jelen.** Az elektromos szerszámok használata során keletkező szikra lángra lobbanthatja a port és füstöt.
- Az elektromos szerszám használata során a gyermekeket és a közelben tartózkodó személyeket tartsa távol a munkaterülettől.** Ha valami eltereli a figyelmét, elveszítheti az irányítást.

### 2) Elektromos biztonság

- Az elektromos szerszám dugóinak megfelelőnek kell lenniük az aljzathoz. Soha ne próbálja semmilyen módon módosítani a dugót. Földelt elektromos szerszámhoz ne használjon semmilyen adapterdugót.** Az eredeti (értsd: módosítás nélküli) dugók és megfelelő hálózati aljzatok használatával mérsékelhető az elektromos áramütés veszélye.
- Ügyeljen arra, hogy teste ne érintkezzen földelt felületekkel, például csővezetékekkel, radiátorral, tűzhellyel vagy hűtőszekrénnel.** Ha teste földelődik, megnő az áramütés kockázata.
- Óvja az elektromos szerszámokat az esőtől és nedves környezettől.** Az elektromos szerszám-

ba kerülő víz növeli az elektromos áramütés veszélyét.

- Ne használja helytelenül (nem előírás szerűen) a kábelt. A kábelt soha ne használja az elektromos szerszám hordozására, húzására vagy az aljzathoz történő kihúzására. A kábelt tartsa távol hőforrásoktól, olajtól, hegyes élektől és mozgó alkatrészekről.** A sérült vagy meglekedett kábelek növelik az elektromos áramütés veszélyét.
- Az elektromos szerszám kültéri használata esetén kültéri használatra alkalmas hosszabító kábelt használjon.** A kültéri használatra alkalmas kábel használatával mérsékelhető az elektromos áramütés veszélye.
- Ha az elektromos szerszámot mindenképpen nedves környezetben kell használni, akkor használjon áramvédő kapcsolóval (RCD) ellátott tápforrást.** Az áramvédő kapcsolóval ellátott tápforrás használatával mérsékelhető az elektromos áramütés veszélye.

### 3) Személyi biztonság

- Az elektromos szerszám használata során maradjon éber, koncentráljon az éppen végzett műveletre és használja a józan ítélőképességét. Ha fáradt, vagy ha kábítószert, alkoholt vagy gyógyszer hatása alatt áll, ne használjon elektromos szerszámot.** Az elektromos szerszám használata közben egyetlen pillanatnyi figyelmetlenség is súlyos személyi sérülést okozhat.
- Használjon egyéni védőfelszerelést. Mindig viseljen szemvédő felszerelést.** A megfelelő körülményekhez való védőeszközökkel (például pormaszkkal, csúszásgátló biztonsági cipővel, munkavédelmi sisakkal vagy hallásvédő eszközzel) csökkenthető a személyi sérülések kockázata.
- Gondoskodjon a gép véletlen elindulásának megelőzéséről. A szerszám tápforráshoz és/vagy akkumulátorcsomaghoz történő csatlakoztatása, kézbevétele vagy hordozása előtt győződjön meg róla, hogy a kapcsoló OFF (kikapcsolt) állásban van.** Ha úgy hordozza az elektromos szerszámot, hogy az ujjja a kapcsolón van, vagy úgy helyezi feszültség alá, hogy a kapcsolója ON (bekapcs.) helyzetben van, ez növeli a balesetek kockázatát.
- Az elektromos szerszám bekapcsolása előtt távolítsa el a csavar kulcsokat vagy beállító kulcsokat.** Az elektromos szerszám forgó alkat-

részein felejtett csavarkulcs vagy beállító kulcs személyi sérülést okozhat.

- e) **Ne próbáljon túlnyújtóztatni vagy kitekeredett testhelyzetben dolgozni. Mindig két lábbal, egyensúlyát megtartva álljon a talajon.** Így könnyebben tudja irányítani az elektromos szerszámot a váratlan helyzetekben.
- f) **Viseljen megfelelő öltözetet. Ne viseljen laza ruhát vagy ékszert. Haját, ruháját és kesztyűjét tartsa távol a mozgó alkatrészekről.** A mozgó alkatrészek behúzzhatják a ruhákat, az ékszereket és a hosszú haját.
- g) **Ha a szerszámhoz pórelszívó és porgyűjtő eszköz is lehet csatlakoztatni, akkor gondoskodjon ezek csatlakoztatásáról és megfelelő használatáról.** A porgyűjtő rendszerek használatával csökkenthetők a porral kapcsolatos veszélyek.
- h) **Ne engedje, hogy a szerszámok gyakori használata során szerzett tapasztalatai túlzott biztonságérzetet keltsenek Önben, és amiatt elhanyagolja a biztonsági alapelveket.** Gondatlan cselekvés már a másodperc töredéke alatt is súlyos sérülést okozhat.

#### 4) Az elektromos szerszám használata és ápolása

- a) **Az elektromos szerszámot tilos túlzott erőfeszítéssel használni.** Az alkalmazási célnak megfelelő elektromos szerszámot használjon. A megfelelő elektromos szerszám jobban és biztonságosabban végzi a munkát azon a fordulatszámra, amire azt tervezték.
- b) **Ne használja az elektromos szerszámot, ha az nem kapcsolható be/ki a főkapcsolóval.** Bármely elektromos szerszám veszélyes lehet, amit a kapcsolóval nem lehet irányítani, ezért az ilyen elektromos szerszámot meg kell javíttatni.
- c) **Válassza le a dugót a tápforrásról és/vagy az akkumulátorcsomagot az elektromos szerszámról, mielőtt bármilyen módosítást végez, tartozékot cserél vagy eltávolít az elektromos szerszámot.** Ezekkel a megelőző biztonsági intézkedésekkel csökkenthető az elektromos termék véletlen elindulásának a kockázata.
- d) **A használaton kívüli elektromos szerszámot olyan helyen tárolja, ahol gyermekek nem férhetnek hozzá; ne engedje, hogy olyan személyek használják, akik az elektromos szerszámot és ezeket az utasításokat nem ismerik.** Az elektromos szerszám rendkívül veszélyes lehet szakképzetlen felhasználók kezeiben.

- e) **Tartsa karban az elektromos szerszámokat. Ellenőrizze, hogy a mozgó alkatrészek nem állítódtak-e el vagy nem szorulnak-e, nincsenek-e a szerszámon törött alkatrészek, és nem állnak-e fenn olyan körülmények, amelyek befolyásolhatják a szerszám működését. Ha az elektromos szerszám sérült, használat előtt javíttassa meg.** A hanyagul karbantartott elektromos szerszámok sok balesetet okoznak.
  - f) **Tartsa élesen és tisztán a vágószerszámokat.** A megfelelően karbantartott, éles vágószerszámok beszorulásának kisebb a valószínűsége, ráadásul könnyebben irányíthatók.
  - g) **Az elektromos szerszámot, tartozékokat és szerszámszárakat stb. a használati útmutatónak megfelelően használja, a munkakörülmények és az elvégzendő feladat figyelembevételével.** Ha a szerszámgépet a rendeltetési céljától eltérően használják, ez veszélyhelyzetet teremthet.
  - h) **Tartsa a fogantyúkat és egyéb markolási felületeket szárazon, tisztán, olajtól és zsírtól mentesen.** Váratlan helyzetekben a csúszós fogantyúk és egyéb markolási felületek akadályozzák a szerszám biztonságos kezelését és irányítását.
- #### 5) Az akkumulátoros szerszám használata és ápolása
- a) **Újratöltéshez csak a gyártó által megjelölt töltőt használja.** Az egyik akkumulátorhoz megfelelő töltő másikat töltővel használva tűzveszélyes lehet.
  - b) **Csak a kifejezetten hozzájuk készült akkumulátorral használja az elektromos szerszámokat.** Bármilyen másfajta akkumulátor használata tűz- és balesetveszélyt idézhet elő.
  - c) **Amikor nem használja az akkucsomagot, tartsa azt távol minden fémestől, például tűzőkapecstől, érmétől, kulcstól, szögtől, csavartól és minden más apró fémtárgytól, amely a sarukat rövidre zárhatná.** Az akkumulátor kapcsok rövidre zárása égési sérülést vagy tüzet okozhat.
  - d) **Nem előírászerű körülmények között folyadék szívóroghat az akkumulátorból; ne érjen hozzá. Ha véletlenül mégis a bőrre kerül, vízzel öblítse le. Ha a folyadék szembe kerül, forduljon orvoshoz is.** Az akkumulátorból származó folyadék bõrizgató hatású, égési sérülést is okozhat.
  - e) **Sérült vagy átalakított akkucsomagot és szerszámot ne használjon.** A sérült vagy átalakított



akkumulátorok kiszámíthatatlanul viselkedhetnek, tüzet, robbanást vagy sérülést okozhatnak.

- f) **Tűztől és szélsőséges hőmérséklettől óvja az akkucsomagot és a szerszámot.** Ha tűznek vagy 130 °C-on felüli hőmérsékletnek teszi ki, robbanást okozhat. MEGJEGYZÉS: a „130 °C” „265 °F”-nak (Fahrenheit foknak) felel meg.
- g) **Tartsa be a töltésre vonatkozó összes utasítást, és ne töltsé az akkucsomagot vagy a szerszámot a kezelési útmutatóban megadott tartományon kívül eső hőmérséklet mellett.** Nem megfelelő vagy a megadott tartományon kívüli hőmérséklet mellett történő töltés károsíthatja az akkumulátort, és tűzveszéllyel jár.
- 6) **Szerviz**
- a) **Az elektromos szerszámot képzett javító szakemberrel javíttassa, csakis az eredetivel azonos pótalkatrészeket használjon fel.** Ez biztosítja, hogy a villamos kéziszerszám továbbra is biztonságos maradjon.
- b) **Sérült akkucsomagot soha ne szervizeljen.** Akkucsomagok szervizelését csak a gyártó vagy annak megbízott szolgáltatója végezheti.
- c) **a hálózati csatlakozódugó megsérült, a veszélyhelyzetek elkerülése érdekében ki kell cserélni a gyártóval, megbízott szervizzel vagy más, hasonlóan képzett szakemberrel.**

## VEZETÉK NÉLKÜLI RACSNIS KULCSRA VONATKOZÓ TOVÁBBI MUNKAVÉDELMI FIGYELMEZTETÉSEK

1. Az elektromos szerszámot csak a szigetelt felületénél tartsa, ha olyan műveletet végez, ahol a szerszám rejtett vezetékekhez vagy a saját kábeléhez érhet. Ha elvág egy áram alatt lévő vezetéket, az elektromos szerszám fém alkatrészei is áram alá kerülhetnek, és a kezelő áramütést szenvedhet.
2. Tartsa erősen a szerszámot.
3. Mindig viseljen biztonságos lábbelit. Ha a szerszámot a magasban használja, győződjön meg róla, hogy senki nem tartózkodik alatta.
4. Viseljen hallásvédelmet.
5. Az üzembe helyezés előtt alaposan ellenőrizze az ütőműves dugókulcsot, hogy nincs-e rajta kopás, repedés vagy sérülés.
6. Tartsa távol a kezeit a forgó alkatrészekről.
7. Közvetlenül használat után ne érintse meg a racsnis fejet, az ütőműves dugókulcsot, a csavart, az anyát vagy a munkadarabot. Ezek

rendkívül forróak lehetnek, és megégethetik a bőrt.

## BIZTONSÁGI FIGYELMEZTETÉSEK AZ AKKUMULÁTORHOZ

- a) **Ne nyissa fel az akkumulátort.** Az veszélyes rövidzárlatot okozhat.
- b) **Hőbehátástól védje az akkumulátort, pl. ne tegye ki folyamatos erős napsugárzásnak, tűztől, víztől és más nedvességtől is védje.** Robbanásveszély.
- c) **Ha az akkumulátor sérült, vagy rendellenesen használják, gőzök áramolhatnak belőle. Szellőztesse át a munkaterületet, és ha egészségügyi panaszai vannak, kérjen orvosi segítséget.** A gőzök irritálhatják a légutakat.
- d) **Az akkumulátort csak a Vonroc termékéhez használja.** Ezzel az intézkedéssel veszélyes túlterheléstől védi az akkumulátort.
- e) **Az akkumulátor megsérülhet, ha a külsejét hegyes tárggyal (pl. szeggel, csavarhúzóval) vagy erőszakosan manipulálják.** Belső rövidzárlat következhet be, amitől az akkumulátor leéghet, füstölhet, robbanhat vagy túlmelegedhet.

## A TÖLTŐRE VONATKOZÓ BIZTONSÁGI FIGYELMEZTETÉSEK

### Rendeltetésszerű használat

A töltővel csak CD801AA és CD803AA típusú tölthető akkumulátorcsomagokat szabad tölteni. Más típusú akkumulátor szétrobbanhat, személyi sérülést és anyagi kárt okozva.

- a) **A villamos készüléket csökkent fizikai, érzékszervi vagy szellemi képességű személyek (gyermeket is ideértve) vagy tapasztalat, ismeret híján csak felügyelet vagy útmutatás mellett használhatják.**
- b) **Figyelni kell, nehogy a gyerekek játszanak a készülékkel.**
- c) **Nem újratölthető elemek újratöltésével próbálkozni tilos!**
- d) **Az akkumulátorok töltését jól szellőző helyen kell végezni!**

### Elektromos biztonság



*Mindig ellenőrizze, hogy a tápellátás megfelel-e az adattáblán feltüntetett feszültségnek.*

- Ne használja a gépet, ha a hálózati kábel vagy a hálózati csatlakozódugó sérült.

- Csak olyan hosszabbító kábelt használjon amely megfelel a berendezés névleges teljesítményének és legalább 1,5 mm<sup>2</sup> vastag. Ha tekercset használ a hosszabbító kábelhez, mindig teljesen tekerje le a kábelt.

## 2. AZ ESZKÖZ ADATAI

### Rendeltetészerű használat

A gép a műszaki adatok betartása mellett csavarok behajtására és meglazítására, valamint anyák meghúzására és meglazítására szolgál. Elsősorban az autóiparban, fémszerkezeti vagy tetőfedési munkákhoz használatos. A készülék nem alkalmas fűrésra.

### MŰSZAKI ADATOK



*Ez az útmutató különböző készletekhez / cikkszámokhoz készült. A készlet megfelelő összetételéhez és tartalmához ellenőrizze a műszaki adatokat tartalmazó lenti táblázat vonatkozó cikkszámát.*

Modellazonosító	Akkumulátorok a csomagban	Töltők a csomagban
<b>RW501DC</b>	-	-
<b>S_ RW501DC</b>	CD801AA	CD802AA
<b>S2_ RW501DC</b>	2 x CD801AA	CD802AA
<b>S3_ RW501DC</b>	CD803AA	CD802AA

A gép adatai	
Névleges feszültség	20 V
Üresjárat fordulatszám	0–260/perc
Tokmány	3/8" derékszögű tokmány
Maximális nyomaték	50 Nm
Súly	1,2 kg
IP-osztály	IPX0
Hangnyomásszint L <sub>PA</sub>	75,2 dB(A) K=3 dB(A)
Hangteljesítményszint L <sub>WA</sub>	86,2 dB(A) K = 3 dB(A)
Rezgés	2,069 m/s <sup>2</sup> K=1,5 m/s <sup>2</sup>

Modellazonosító	CD801AA
Akkumulátor típusa	Lítium-ion
Feszültség	20 V
Kapacitás	2,0 Ah
Ajánlott töltő	CD802AA
Súly	0,3 kg

Modellazonosító	CD802AA
A töltő bemenete	220–240 V, 50 Hz, 0,4 A
A töltő kimenete	21 V  2,5 A
2 Ah-s akkumulátor töltési ideje	60 perc
4 Ah-s akkumulátor töltési ideje	120 perc
Ajánlott akkumulátorok	CD801AA, CD803AA
Súly	0,36 kg

Modellazonosító	CD803AA
Akkumulátor típusa	Lítium-ion
Feszültség	20 V
Kapacitás	4,0 Ah
Ajánlott töltő	CD802AA
Súly	0,65 kg

VONROC VPOWER 20 V akkumulátorplatformból csak a következő akkumulátorokat használja. Más akkumulátor használata súlyos sérüléshez és a szerszám károsodásához vezethet.  
 CD801AA 20 V, 2 Ah-s lítium-ion  
 CD803AA 20 V, 4 Ah-s lítium-ion

Ezek az akkumulátorok az alábbi töltővel is tölthetők.

CD802AA Gyorstöltő

A VONROC VPOWER 20V platform akkumulátorai csereszabatosak minden VONROC VPOWER 20V akkumulátor platformos szerszámmal.

### Rezgés értékek

A használati útmutatóban megadott rezgés kibocsátási értékek mérése az EN 62841 sz. szabvány szerinti egységesített eljárással történt; az értékek használhatók gépek összehasonlítására és a munkavégzés közbeni rezgés terhelés előzetes megbecslésére az adott alkalmazási területen.

- Ha az elektromos kéziszerszámot más területen használják vagy más vagy rossz karban tartott tartozékkal, a rezgés terhelés jelentősen megnövekedhet.
- Azok az időtartamok, amely alatt a gép üresen jár vagy áll, jelentősen csökkenthetik a tényleges terhelést.

Védje magát a rezgés hatásától, tartsa karban a gépet és a tartozékokat, melegítsen be és szervezze meg okosan a munkáját.

## LEÍRÁS

A szövegbeli számok a 2–3. oldal képeire utalnak.

1. Gép
2. Akkumulátor
3. Akkumulátorkioldó gomb
4. Üzemi világítás
5. Főkapcsoló
6. 9,5 mm-es (3/8") derékszögű tokmány
7. Irányváltó kapcsoló
9. Reteszelőkar
10. Akkumulátor LED-jelzőlámpák gomb
11. Akkumulátor LED-jelzőlámpák
12. Töltő
13. Töltésjelző LED-ek

## 3. ÖSSZESZERELÉS



*Az elektromos szerszámon végzett bármimemű munka előtt távolítsa el az akkumulátort.*



*Az akkumulátort első használat előtt először fel kell tölteni.*

### Az akkumulátor behelyezése a gépbe (B ábra)



*A töltőre vagy a gépre csatlakoztatás előtt ellenőrizze, hogy az akkumulátor külseje tiszta és száraz legyen.*

1. Tegye az akkumulátort (2) a gép talpába a B ábrán látható módon.
2. Kattanásig nyomja az akkumulátort a helyére.

### Az akkumulátor kivétele a gépből (B ábra)

1. Nyomja meg az akkumulátor kioldó gombját (3).
2. Vegye ki az akkumulátort a gépből a B ábrán látható módon.

### Az akkumulátor töltési állapotának ellenőrzése (C ábra)

- A töltöttségi szint ellenőrzéséhez nyomja meg röviden a gombot (10).
- Az akkumulátor 3 lámpával mutatja a töltési szintet, minél több világít, annál több töltése van még az akkumulátornak.
- Ha a lámpák nem világítanak, az akkumulátor lemerült, azonnal tölteni kell.

### Az akkumulátor töltése a töltővel (C ábra)

1. Vegye ki a gépből az akkumulátort (2).
2. Fordítsa fejjel lefelé az akkumulátort (2) és csúsztassa a töltőre (12) a C ábrán látható módon.
3. Nyomja be egészen az akkumulátort a nyílásba.
4. Dugja a töltődugót villamos aljzatba és várjon. A gépen a LED jelzők (13) világítani kezdenek és jelzik a töltő állapotát.

### A töltőn 2 LED jelzőlámpa (13) van, amelyek mutatják a töltési folyamatot:

Piros LED állapot	Zöld LED állapot	A töltő állapota
Nem világít	Nem világít	Nincs áram
Nem világít	Világít	Készenlét mód: - Nincs behelyezve akkumulátor vagy - Akkumulátor behelyezve, de a töltés befejeződött
Világít	Nem világít	Akkumulátor töltődik

- A(z) 2 Ah-s akkumulátor teljes feltöltése 60 percet vesz igénybe.
- A(z) 4 Ah-s akkumulátor teljes feltöltése 120 percet vesz igénybe.

Az akkumulátor teljes feltöltése után húzza ki a töltődugót az aljzataból és vegye ki az akkumulátort a töltőből.



*Ha a gépet hosszabb ideig nem használják, jobb az akkumulátort töltött állapotban tárolni.*

### Tartozékok le- és felszerelése

- Kapcsolja ki a gépet.
- Vegye ki a dugókulcsot a tokmányból (6), ha korábban behelyezett ilyet.
- Fogassa rá az új dugókulcsot a tokmányra (6).
- Ellenőrizze, hogy a dugókulcs megfelelően rögzült-e.
- A dugókulcsot az eltávolításához egyszerűen húzza le.

## 4. HASZNÁLAT

### A gép be- és kikapcsolása (A ábra)

A főkapcsoló (5) szolgál a gép bekapcsolására és a fordulatszám beállítására.

- A be-/kikapcsoló (főkapcsoló) (5) megnyomásával bekapcsolódik a gép, minél jobban benyomja annál gyorsabban forog a fűrő.
- A be-/kikapcsoló (főkapcsoló) (5) elengedésekor a gép kikapcsolódik.
- A kapcsoló (5) véletlen megnyomásának megakadályozására az eszköz reteszelőkarral (9) rendelkezik. Ha a reteszelőkar záró helyzetben van, a kapcsolót nem lehet működtetni. Ha a reteszelőkar nyitott helyzetben van, a kapcsolókar működtethető.



*Csak akkor tegye le a gépet, ha már teljesen leállt. Ne tegye poros helyre, mert a porrészekkék bekerülhetnek a szerkezetbe.*

### A forgásirány beállítása (A ábra)

- Csavar vagy anya behajtásakor az irányváltó kapcsolót (7) állítsa az „F” jelhez.
- Csavar vagy anya eltávolításakor az irányváltó kapcsolót (7) állítsa az „R” jelhez.

### Munkalámpa (A ábra)

A gépen munkalámpa (4) található, amely megvilágítja a munkaterületet.

- A főkapcsoló gomb megnyomásakor automatikusan bekapcsolódik.
- A főkapcsoló gomb elengedésekor automatikusan kikapcsolódik.

## 5. KARBANTARTÁS



*Tisztítás és karbantartás előtt mindig kapcsolja ki a gépet, és vegye ki belőle az akkumulátort.*

A gép burkolatát rendszeresen, lehetőleg minden használat után törölje át puha ronggyal. Gondoskodjon arról, hogy a szellőzőnyílásokban ne maradjon por és piszok.

Makacs szennyeződésekhez használjon szappanos vízzel átitatott ruhát. Oldószert, benzint, alkoholt, ammóniát stb. ne használjon. Ezek a vegyszerek kárt tesznek a szintetikus részekben.

## KÖRNYEZETVÉDELEM



*A hibás vagy már feleslegessé vált elektromos, elektronikus készülékeket az ezzel foglalkozó gyűjtőpontokon kell leadni.*

### Csak EU országokban

Elektromos eszközt ne dobjon a háztartási hulladékba. Az elektromos és elektronikai hulladékokra vonatkozó, 2012/19/EU európai irányelv és annak a nemzeti törvénykezésbe történő átültetése értelmében az elhasznált elektromos készülékeket külön kell gyűjteni és környezetbarát módon kell kiselejtezni.

## JÓTÁLLÁS

A VONROC termékei a legmagasabb minőségi normák szerint készülnek, és az eredeti vásárlás napjától számított, törvényileg előírt időtartamig garantáljuk, hogy anyag- és gyártási hibáktól mentesen fognak működni. Ha a termékben ezen időszak alatt bármilyen hiba jelentkezik anyag- és/ vagy gyártási hiba miatt, kérjük, forduljon közvetlenül az Ön VONROC kapcsolattartójához.

A szavatosság nem vonatkozik a következő körülmények semelyikére sem:

- Nem hivatalos szervizközpontok javítást vagy módosítást végeztek (vagy megkíséreltek javítást vagy módosítást végezni) a gépen;
- Normál elhasználódás és kopás;
- A szerszámot erőszakosan vagy nem rendeltetésszerűen használták, vagy a karbantartása nem volt megfelelő;
- Nem eredeti pótalkatrészeket használtak.

A jelen garancia a vállalat által (akár kifejezetten, akár hallgatólagosan) biztosított kizárólagos garancia. Nem léteznek olyan egyéb garanciák (sem kifejezett, sem hallgatólagos garanciák, beleértve az értékesíthetőségre és az adott célra való alkalmasságra vonatkozó hallgatólagos garanciákat is), amelyek a jelen garancia hatókörén túlmutatnak. A VONROC semmilyen esetben sem felelős semmilyen járulékos vagy következményes kárért. A forgalmazók javításai kizárólag az előírásoknak nem megfelelő egységek vagy alkatrészek javítására és cseréjére vonatkoznak.

**A termék és a használati útmutató változtatásának jogát fenntartjuk. A műszaki adatok előzetes bejelentés nélkül változhatnak.**

## 1. BEZPEČNOSTNÍ POKYNY

Přečtěte si přiložené bezpečnostní výstrahy, dodatečné bezpečnostní výstrahy a bezpečnostní pokyny. Nebudete-li dodržovat tyto bezpečnostní výstrahy a pokyny, může dojít k úrazu elektrickým proudem, k vzniku požáru nebo k vážnému zranění. Uchovejte tyto bezpečnostní výstrahy a pokyny pro budoucí použití.

V tomto návodu k obsluze a na tomto výrobku jsou použity následující symboly:



*Přečtěte si návod k obsluze.*



*Upozorňuje na nebezpečí zranění osob, ztráty života nebo poškození náradí, nebudou-li dodržovány pokyny uvedené v tomto návodu.*



*Nebezpečí úrazu elektrickým proudem.*



*Elektronická regulace otáček.*



*Nepoužívejte v dešti.*



*Není určeno pro venkovní použití.*



*Výrobek třídy II – Dvojitá izolace – Není nutné použití uzemňovacího vodiče.*



*Miniaturní pomalá pojistka s tavnou vložkou.*



*Maximální teplota 45 °C.*



*Nevhazujte akumulátor do ohně.*



*Nevhazujte akumulátor do vody.*



*Používejte ochranu zraku.*



*Používejte ochranu sluchu.*



*Nevyhazujte tento výrobek do nevhodného kontejneru.*



*Použijte tříděný odpad pro akumulátory Li-Ion.*

**CE** Tento výrobek je vyroben v souladu s platnými bezpečnostními normami, které jsou uvedeny ve směrnících EU.

## ZÁKLADNÍ BEZPEČNOSTNÍ VÝSTRAHY PRO ELEKTRICKÉ NÁŘADÍ



**VAROVÁNÍ! Přečtěte si všechny bezpečnostní výstrahy a všechny pokyny.** Nebudete-li dodržovat tyto bezpečnostní výstrahy a pokyny, může dojít k úrazu elektrickým proudem, ke vzniku požáru nebo k vážnému zranění.

### Uchovejte všechny bezpečnostní výstrahy a pokyny pro budoucí použití.

Pojem elektrické nářadí v těchto varováních odkazuje na elektrické nářadí napájené z elektrické sítě (s napájecím kabelem) nebo z akumulátoru (bez napájecího kabelu).

#### 1) Bezpečnost pracovního prostoru

- a) **Udržujte pracoviště uklizené a dobře osvětlené.** Neuklizená nebo tmavá místa přivolávají nehody.
- b) **Nepoužívejte elektrická nářadí ve výbušných prostředích, jako jsou místa s přítomností hořlavých kapalin, plynů nebo prachu.** V elektrickém nářadí dochází k jiskření, které může způsobit vznícení prachu nebo výparů.
- c) **Při práci s tímto elektrickým nářadím udržujte děti a okolo stojící osoby v bezpečné vzdálenosti.** Rozptylování může způsobit ztrátu kontroly nad nářadím.

#### 2) Elektrická bezpečnost

- a) **Zástrčka napájecího kabelu nářadí musí odpovídat zásuvce. Zástrčku nikdy žádným způsobem neupravujte. Nepoužívejte u uzemněného elektrického nářadí žádné adaptéry zástrček.** Neupravené zástrčky a odpovídající zásuvky snižují riziko úrazu elektrickým proudem.
- b) **Vyvarujte se kontaktu s uzemněnými povrchy, jako jsou potrubí, radiátory, trouby a ledničky.** Dojde-li k uzemnění vašeho těla, hrozí zvýšené riziko způsobení úrazu elektrickým proudem.
- c) **Nevystavujte elektrické nářadí dešti ani vlhkému prostředí.** Dostane-li se do elektrického nářadí voda, zvýší se riziko úrazu elektrickým proudem.
- d) **Nezacházejte hrubě s napájecím kabelem. Nikdy nepoužívejte napájecí kabel pro přená-**

**šení nebo tahání tohoto elektrického nářadí a netahajte za tento kabel při vypořádání zástrčky ze zásuvky. Dbejte na to, aby tento kabel nepřecházel přes horké a mastné povrchy ani přes ostré hrany a aby se nedostal do kontaktu s pohyblivými se částmi.** Poškozené nebo zamotané kabely zvyšují riziko úrazu elektrickým proudem.

- e) **Používáte-li elektrické nářadí venku, používejte prodlužovací kabel vhodný pro venkovní použití.** Použití prodlužovacího kabelu pro venkovní použití snižuje riziko úrazu elektrickým proudem.
  - f) **Musíte-li používat toto elektrické nářadí ve vlhkém prostředí, používejte v elektrickém obvodu proudový chránič (RCD).** Použití proudového chrániče (RCD) snižuje riziko úrazu elektrickým proudem.
- ### 3) Bezpečnost osob
- a) **Při práci s tímto elektrickým nářadím buďte stále pozorní; sledujte, co provádíte, a používejte zdravý rozum. Nepoužívejte elektrické nářadí, jste-li unaveni nebo jste-li pod vlivem drog, alkoholu nebo léků.** Chvilková nepozornost při práci s elektrickým nářadím může vést k velmi nebezpečným zraněním.
  - b) **Používejte osobní ochranné prostředky. Vždy používejte ochranu zraku.** Ochranné prostředky, jako jsou maska proti prachu, neklouzavá pracovní ochranná obuv, pevná přilba nebo chrániče sluchu, které jsou používány v příslušných podmínkách, zmenšují riziko způsobení zranění osob.
  - c) **Zabraňte náhodnému spuštění nářadí. Před připojením elektrického nářadí k napájecímu zdroji nebo před vložením akumulátoru do nářadí, před zvednutím nářadí nebo před jeho přenášením se ujistěte, zda je spínač nářadí v poloze vypnuto.** Přenášení elektrického nářadí s prstem na spínači nebo připojení elektrického nářadí ke zdroji elektrické energie, je-li spínač v poloze zapnuto, zvyšuje pravděpodobnost vzniku nehod.
  - d) **Před zapnutím elektrického nářadí vždy odstraňte všechny klíče a seřizovací přípravky.** Klíče nebo seřizovací přípravky ponechané na rotující části elektrického nářadí mohou způsobit zranění osob.

- e) **Nepřeceňujte své síly. Vždy udržujte správný postoj a rovnováhu.** Tak si zachováte lepší kontrolu nad nářadím v neočekávaných situacích.
- f) **Vhodně se oblékejte. Nenoste volný oděv nebo šperky. Udržujte vlasy, oblečení a rukavice v bezpečné vzdálenosti od všech pohyblivých částí.** Volný oděv, šperky nebo dlouhé vlasy mohou být zachyceny pohyblivými se částmi.
- g) **Jsou-li zařízení vybavena adaptérem pro připojení odsávacího systému, ujistěte se, zda je odsávací zařízení správně připojeno a zda správně plní svoji funkci.** Použití odsávání prachu může snížit rizika spojená s prací v prašném prostředí.
- h) **Nedovoďte, aby jistota získaná častým používáním nářadí vedla ke snížení vaší pozornosti a ignorování zásad bezpečné práce s nářadím.** Chvilková nepozornost může během zlomku sekundy způsobit vážné zranění.
- 4) Použití elektrického nářadí a jeho údržba**
- a) **Nepřetěžujte elektrické nářadí. Používejte pro provádění práce správné elektrické nářadí.** Správné elektrické nářadí provede práci lépe a bezpečněji, je-li použito pro práce, pro které je určeno.
- b) **Nepoužívejte elektrické nářadí, nepracuje-li správně jeho spouštěcí spínač.** Elektrické nářadí, které nelze ovládat pomocí spouštěcího spínače, je velmi nebezpečné a musí být opraveno.
- c) **Před prováděním jakéhokoliv seřízení, před výměnou příslušenství a/nebo před uloženíím odpojte napájecí kabel nářadí od napájecího zdroje, nebo z nářadí vyjměte akumulátor.** Tato preventivní bezpečnostní opatření snižují riziko náhodného spuštění elektrického nářadí.
- d) **Uložte nepoužívané elektrické nářadí mimo dosah dětí a nedovoďte osobám, které nejsou obeznámeny s tímto nářadím nebo s těmito pokyny, aby toto elektrické nářadí používaly.** Elektrické nářadí je v rukách neproškolených osob nebezpečné.
- e) **Provádějte údržbu elektrického nářadí. Zkontrolujte vychýlení nebo zablokování pohyblivých částí, poškození součástí a jiné stavy, které by mohly mít vliv na správnou funkci nářadí. Je-li elektrické nářadí poškozeno, zajistěte jeho opravu dříve, než jej použijete.** Mnohé nehody bývají způsobeny nedostatečnou údržbou elektrického nářadí.
- f) **Udržujte řezné nástroje ostré a čisté.** U správně udržovaných řezných nástrojů s ostrými řeznými břitzy je menší pravděpodobnost jejich zablokování a lépe se s nimi pracuje.
- g) **Používejte elektrické nářadí, příslušenství, pracovní nástroje atd. v souladu s těmito pokyny a berte v úvahu pracovní podmínky a práci, která má být provedena.** Použití elektrického nářadí pro operace, pro které není určeno, může vést k nebezpečným situacím.
- h) **Dbejte na to, aby byly rukojeti a úchopné povrchy suché, čisté a zbavené olejů a maziv.** Kluzké rukojeti a úchopné plochy neumožňují bezpečnou manipulaci a ovládání nářadí v neočekávaných situacích.
- 5) Použití a údržba akumulátorového nářadí**
- a) **K nabíjení používejte výhradně nabíječku předepsanou výrobcem.** Nabíječka vhodná pro jeden typ akumulátoru může způsobit požár při vložení jiného, nevhodného typu.
- b) **Používejte elektrické nářadí pouze s předepsanými akumulátory.** Použití jiných typů akumulátoru může způsobit požár nebo zranění.
- c) **Není-li akumulátor používán, uložte jej mimo dosah kovových předmětů, jako jsou kancelářské sponky, mince, klíče, hřebíky, šroubky nebo jiné malé kovové předměty, které by mohly zkratovat jeho kontakty.** Zkratování kontaktů akumulátoru může způsobit popáleniny nebo požár.
- d) **Za nevhodných podmínek může z akumulátoru unikat kapalina. Vyvarujte se kontaktu s touto kapalinou. Dojde-li k náhodnému kontaktu s touto kapalinou, zasažené místo omyjte vodou. Dostane-li se kapalina do očí, ihned si je vypláchněte vodou a vyhledejte lékařskou pomoc.** Unikající kapalina z akumulátoru může způsobit podráždění pokožky nebo popáleniny.
- e) **Nepoužívejte poškozený nebo upravený akumulátor či nářadí.** Poškozené nebo upravené akumulátory se mohou chovat nepředvídatelně, což může způsobit požár, výbuch nebo nebezpečí zranění.
- f) **Nevystavujte akumulátor nebo nářadí ohni ani nadměrným teplotám.** Vystavení účinkům ohně nebo teplot nad 130 °C může způsobit výbuch. POZNÁMKA: Teplota „130 °C“ odpovídá teplotě „265 °F“.
- g) **Dodržujte všechny pokyny pro nabíjení a nenabíjejte akumulátor ani nářadí mimo teplotní rozsah předepsaný v těchto pokynech.** Ne-

správné nabíjení nebo nabíjení při teplotě mimo předepsaný rozsah může poškodit akumulátor a zvýšit nebezpečí vzniku požáru.

#### 6) Servis

- a) **Svěřte opravu svého elektrického nářadí pouze osobě s příslušnou kvalifikací, která bude používat výhradně originální náhradní díly.** Tím zajistíte bezpečný provoz tohoto elektrického nářadí.
- b) **Nikdy neopravujte poškozené akumulátorové moduly.** Opravy akumulátorů smí provádět výhradně výrobce nebo technik autorizovaného servisu.
- c) **Dojde-li k poškození napájecího kabelu nabíječky, musí být vyměněn výrobcem, jeho autorizovaným servisem nebo osobou s příslušnou kvalifikací, aby se předešlo možným rizikům.**

#### DOPLŇKOVÁ BEZPEČNOSTNÍ VAROVÁNÍ PRO AKUMULÁTOROVÉ RÁČNOVÉ KLÍČE

1. Držte elektrické nářadí za izolované úchopné plochy, když provádíte operace, kdy se upevňovací prvek může dotknout skrytých vodičů. Kontakt upevňovacích prvků s vodičem pod napětím může způsobit, že nechráněné kovové části elektrického nářadí budou také pod napětím a mohou tak obsluze způsobit úraz elektrickým proudem.
2. Držte nářadí pevně.
3. Při používání nářadí vždy udržujte pevný postoj. Při práci ve výškách se ujistěte, že se pod vámi nikdo nenachází.
4. Používejte ochranu sluchu.
5. Před nasazením pečlivě zkontrolujte objímku, zda není opotřebovaná, prasklá nebo poškozená.
6. Udržujte ruce v dostatečné vzdálenosti od otáčejících se částí.
7. Nedotýkejte se hlavy ráčny, objímky, šroubu, matice ani obrobku bezprostředně po dlouhé době provozu. Mohou být velmi horké a mohly by vám popálit pokožku.

#### BEZPEČNOSTNÍ VAROVÁNÍ PRO AKUMULÁTORY

- a) **Akumulátor nerozebírejte.** Nebezpečí zkratu.
- b) **Chraňte akumulátor před teplem, např. před nepřetržitým intenzivním slunečním světlem, ohněm, vodou a vlhkostí.** Nebezpečí výbuchu.

- c) **V případě poškození a nesprávného použití akumulátoru se mohou uvolňovat výpary. V případě potíží vyvětrejte místnost a vyhledejte lékařskou pomoc.** Výpary mohou dráždit dýchací ústrojí.
- d) **Používejte tento akumulátor výhradně s vaším výrobkem značky Vonroc.** Toto opatření samo o sobě chrání akumulátor před nebezpečným přetížením.
- e) **Akumulátor může být poškozen ostrými předměty, jako například hřebíky nebo šroubováky, nebo větší silou.** Může dojít k vnitřnímu zkratu a vznícení, vzniku kouře, výbuchu nebo přehřátí akumulátoru.

#### BEZPEČNOSTNÍ VAROVÁNÍ PRO NABÍJEČKU

##### Zamýšlené použití

Touto nabíječkou nabíjete výhradně akumulátorové moduly typu CD801AA a CD803AA. Ostatní typy akumulátorů mohou prasknout a způsobit zranění a poškození.

- a) **Tento výrobek není určen k použití osobami (včetně dětí) se sníženými fyzickými, smyslovými nebo duševními schopnostmi, nebo s nedostatkem zkušeností a znalostí, pokud jim nebyl stanoven dohled nebo pokud jim nebyly poskytnuty potřebné instrukce.**
- b) **Děti musí být pod dozorem, aby si s tímto zařízením nehrály.**
- c) **Nenabíjejte baterie, které nejsou k nabíjení určeny!**
- d) **Během nabíjení musí být akumulátory umístěny na dobře větraném místě!**

##### Elektrická bezpečnost



*Vždy zkontrolujte, zda se napájecí napětí sítě shoduje s napájecím napětím na výkonovém štítku.*

- Nepoužívejte tento stroj, je-li poškozen jeho napájecí kabel nebo síťová zásuvka.
- Používejte pouze prodlužovací kabely, které jsou vhodné pro příkon tohoto nářadí a které mají minimální průřez 1,5 mm<sup>2</sup>. Budete-li používat prodlužovací kabel na cívce, vždy odmotajte celý kabel.



## 2. INFORMACE O ZAŘÍZENÍ

### Zamýšlené použití

Toto nářadí je určeno k šroubování a povolování vrutů a šroubů a také k utahování a povolování matic při dodržení stanovených specifikací. Hlavním předpokládaným prostředím používání je oprava a údržba automobilů, kovové konstrukce nebo pokrývačské práce. Toto zařízení není určeno pro vrtání.

### TECHNICKÉ ÚDAJE



*Tato uživatelská příručka platí pro různá čísla zboží / různé sady. V níže uvedené tabulce specifikací si můžete ověřit správný obsah vaší sady podle odpovídajícího čísla.*

Model č.	Akumulátory v dodávce	Nabíječky v dodávce
<b>RW501DC</b>	-	-
<b>S_ RW501DC</b>	CD801AA	CD802AA
<b>S2_ RW501DC</b>	2x CD801AA	CD802AA
<b>S3_ RW501DC</b>	CD803AA	CD802AA

Informace o nářadí	
Jmenovité napětí	20 V
Otáčky naprázdno	0–260/min
Upínací čtyřhran	Upínací čtyřhran 3/8"
Max. moment	50 Nm
Hmotnost	1,2 kg
Třída ochrany IP	IPX0
Úroveň akustického tlaku $L_{PA}$	75,2 dB(A) K = 3 dB(A)
Úroveň akustického výkonu $L_{WA}$	86,2 dB(A), K = 3 dB(A)
Vibrace	2,069 m/s <sup>2</sup> K = 1,5 m/s <sup>2</sup>

Model č.	CD801AA
Typ akumulátoru	Lithium-Ion
Napětí	20 V
Kapacita	2,0 Ah
Doporučená nabíječka	CD802AA
Hmotnost	0,3 kg

Model č.	CD802AA
Vstup nabíječky	220–240 V, 50 Hz, 0,4 A
Výstup nabíječky	21 V  2,5 A
Doba nabíjení 2Ah akumulátoru	60 minut
Doba nabíjení 4Ah akumulátoru	120 minut
Doporučené akumulátory	CD801AA, CD803AA
Hmotnost	0,36 kg

Model č.	CD803AA
Typ akumulátoru	Lithium-Ion
Napětí	20 V
Kapacita	4,0 Ah
Doporučená nabíječka	CD802AA
Hmotnost	0,65 kg

Používejte pouze následující akumulátory z platformy VONROC VPOWER 20 V. Použití jakýchkoliv jiných akumulátorů může způsobit vážné zranění nebo poškození nářadí.

CD801AA 20 V, 2 Ah, Li-Ion  
CD803AA 20 V, 4 Ah, Li-Ion

Pro nabíjení těchto akumulátorů se může používat následující nabíječka.

CD802AA Rychlonabíječka

Akumulátory platformy VONROC VPOWER 20V se mohou používat v každém akumulátorovém nářadí platformy VONROC VPOWER 20V.

### Úroveň vibrací

Deklarovaná úroveň vibrací uvedená v tomto návodu byla měřena v souladu se standardní zkušební metodou předepsanou normou EN 62841. Tato úroveň vibrací může být použita pro srovnání jednotlivých nářadí mezi sebou a také při předběžném posouzení působících vibrací při používání nářadí při uvedených aplikacích.

- Použití tohoto nářadí pro jiné aplikace nebo s odlišným nebo špatně udržovaným příslušenstvím může značně zvýšit působení vibrací.
- Doba, kdy je nářadí vypnuto nebo kdy je v chodu, ale aktuálně nevykonává žádnou práci, může působení vibrací značně zmírnit.

Chraňte se před působením vibrací prováděním řádné údržby tohoto nářadí i jeho příslušenství, udržujte ruce v teple a provádějte práci správným způsobem.

### POPIS

Čísła v následujícím textu odkazují na obrázky na stranách 2-3.

1. Nářadí
2. Akumulátor
3. Tlačítko pro uvolnění akumulátoru
4. Pracovní svítilna
5. Vypínač
6. 3/8" (9,5mm) upínací čtyřhran
7. Přepínač směru otáčení
9. Zajišťovací páčka
10. Tlačítko LED indikátorů akumulátoru
11. LED indikátory akumulátoru
12. Nabíječka
13. LED indikátory nabíječky

### 3. SESTAVENÍ



*Před zahájením jakékoliv práce na elektrickém nářadí vyjměte z tohoto nářadí akumulátor.*



*Před prvním použitím musí být akumulátor nabit.*

#### Vložení akumulátoru do nářadí (obr. B)



*Před vložením do nabíječky nebo do nářadí zkontrolujte, zda je povrch akumulátoru čistý a suchý.*

1. Zasuňte akumulátor (2) do základny nářadí, jak ukazuje obrázek B.
2. Zatlačte akumulátor zcela dopředu, dokud nezacvakne na své místo.

#### Vyjmutí akumulátoru z nářadí (obr. B)

1. Stiskněte tlačítko pro uvolnění akumulátoru (3).
2. Vytáhněte akumulátor z nářadí, jak ukazuje obrázek B.

#### Kontrola stavu nabití akumulátoru (obr. C)

- Chcete-li zkontrolovat stav nabití akumulátoru, krátce stiskněte tlačítko (10) na akumulátoru.

- Akumulátor je vybaven 3 kontrolkami, které indikují stav jeho nabití: čím více kontrolky svítí, tím více je akumulátor nabit.
- Pokud tyto kontrolky nesvítí, znamená to, že je akumulátor vybitý a musí být okamžitě nabit.

#### Nabíjení akumulátoru pomocí nabíječky (obr. C)

1. Vyjměte akumulátor (2) z nářadí.
2. Obraťte akumulátor (2) spodní stranou nahoru a zasuňte ho do nabíječky (12), jak ukazuje obrázek C.
3. Zatlačte na akumulátor, dokud nebude zcela zasunut do slotu.
4. Připojte zástrčku nabíječky do elektrické zásuvky a chvíli počkejte. LED indikátory na nabíječce (13) se rozsvítí a zobrazí aktuální stav nabíječky.

#### Tato nabíječka je vybavena 2 LED indikátory (13), které indikují stav procesu nabíjení:

Stav červené LED	Stav zelené LED	Stav nabíječky
Nesvítí	Nesvítí	Žádné napájení
Nesvítí	Svítí	Pohotovostní režim: - Není vložen žádný akumulátor nebo - Akumulátor je vložen, ale nabíjení skončilo
Svítí	Nesvítí	Probíhá nabíjení akumulátoru

- Úplné nabití 2Ah akumulátoru může trvat až 60 minut.
- Úplné nabití 4Ah akumulátoru může trvat až 120 minut.

Jakmile bude akumulátor zcela nabit, vyjměte zástrčku kabelu nabíječky ze zásuvky a vyjměte akumulátor z nabíječky.



*Nebude-li toto zařízení používáno delší dobu, dohlédněte na to, aby akumulátor byl před uložením nabit.*

#### Nasazení a sejmутí příslušenství

- Vypněte nářadí.
- Sejměte objímku z upínacího čtyřhranu (6), je-li na něm nasazena.
- Nacvakněte novou objímku na upínací hlavu (6).

- Zkontrolujte, zda je objímka pevně zajištěná.
- Chcete-li objímku odstranit, jednoduše ji stáhněte.

## 4. POUŽITÍ

### Zapnutí a vypnutí nářadí (obr. A)

Vypínač (5) se používá pro zapnutí nářadí a pro nastavení jeho otáček.

- Stisknutí vypínače (5) způsobí zapnutí nářadí. Čím více tento spínač stisknete, tím vyšší budou otáčky nářadí.
- Uvolnění vypínače (5) způsobí vypnutí nářadí.
- Aby nemohlo dojít k náhodnému stisknutí spínače (5), je nářadí vybaveno zajišťovací páčkou (9). Když je zajišťovací páčka v zamknuté poloze, nelze spínač aktivovat. Když je zajišťovací páčka v uvolněné poloze, je možné spínač používat.



*Odkládejte toto nářadí pouze v případě, je-li zcela zastaveno. Nepokládejte toto nářadí na prašný povrch, protože by se prach mohl dostat do mechanismu nářadí.*

### Nastavení směru otáčení (obr. A)

- Nastavte přepínač směru otáčení (7) do polohy „F“, chcete-li utahovat šrouby nebo matice.
- Nastavte přepínač směru otáčení (7) do polohy „R“, chcete-li povolovat šrouby nebo matice.

### Pracovní svítilna (obr. A)

Toto nářadí je vybaveno pracovní svítilnou (4), která osvětluje pracovní prostor.

- Tato svítilna se automaticky rozsvítí při stisknutí vypínače.
- Tato svítilna automaticky zhasne, jakmile vypínač uvolníte.

## 5. ÚDRŽBA



*Nářadí před čištěním a prováděním údržby vždy vypněte a vyjměte z něj akumulátor.*

Pravidelně čistěte kryt zařízení měkkým hadříkem, ideálně po každém použití. Ujistěte se, že nejsou větrací otvory zaneseny prachem nebo jinými nečistotami.

Odolnější nečistoty odstraňte pomocí jemného hadříku navlhčeného v mýdlové pěně. Nepoužívejte žádná rozpouštědla, jako je benzín, lih, čpavek atd.

Takové chemické látky mohou způsobit poškození dílů z umělé hmoty.

## OCHRANA ŽIVOTNÍHO PROSTŘEDÍ



*Poškozená a likvidovaná elektrická nebo elektronická zařízení musí být odevzdána ve sběrných dvorech, které jsou určeny pro tento účel.*

### Pouze pro země EU

Nevyhazujte elektrická nářadí do běžného domácího odpadu. Podle evropské směrnice 2012/19/EC týkající se likvidace elektrických a elektronických zařízení a její implementace do vnitrostátního práva, musí být nepoužívaná elektrická nářadí shromažďována odděleně a jejich likvidace musí být provedena tak, aby nedošlo k ohrožení životního prostředí.

## ZÁRUKA

Výrobky VONROC jsou vyvíjeny v souladu s požadavky norem na nejvyšší kvalitu a je zaručeno, že po dobu platné záruky, která začíná běžet dnem původního nákupu, nebudou na těchto výrobcích žádné vady materiálu, ani vady způsobené špatným dílenským zpracováním. Dojde-li během tohoto období k závadě v důsledku vady materiálu nebo dílenského zpracování, kontaktujte přímo firmu VONROC.

Z této záruky jsou vyloučeny následující případy:

- Opravy nebo úpravy tohoto zařízení byly provedeny nebo byly provedeny pokusy o jejich provedení v neautorizovaných servisních střediscích;
- Běžné opotřebování;
- Toto zařízení bylo nesprávně použito, nevhodně použito nebo nebyla prováděna jeho správná údržba;
- Byly použity neoriginální náhradní díly.

Výše uvedené představuje jedinou záruku poskytovanou společností, ať už výslovnou nebo předpokládanou. Neexistují žádné další záruky, výslovné ani nebo předpokládané, které přesahují rámec zde uvedeného, včetně předpokládaných záruk prodejnosti a vhodnosti pro určitý účel. VONROC v žádném případě neodpovídá za jakékoliv náhodné ani následné škody. Opravné prostředky prodejců

se omezují výhradně na opravu nebo výměnu nevhovujících jednotek nebo dílů.

**Na tomto výrobku a v tomto návodu mohou být prováděny změny. Specifikace mohou být změněny bez dalšího upozornění.**







## DECLARATION OF CONFORMITY RW501DC / S\_RW501DC / S2\_RW501DC / S3\_RW501DC - CORDLESS IMPACT WRENCH 20V

- (EN) We declare under our sole responsibility that this product is in conformity with directive 2011/65/EU of the European parliament and of the council of 8 June on the restriction of the use of certain hazardous substances in electrical and electronic equipment is in conformity and accordance with the following standards and regulations:
- (DE) Der Hersteller erklärt eigenverantwortlich, dass dieses Produkt der Richtlinie 2011/65/EU des Europäischen Parlaments und des Rates vom 8. Juni 2011 über die Einschränkung der Anwendung von bestimmten gefährlichen Stoffen in elektrischen und elektronischen Geräten entspricht, den folgenden Standards und Vorschriften entspricht:
- (NL) Wij verklaren onder onze volledige verantwoordelijkheid dat dit product voldoet aan de conform Richtlijn 2011/65/EU van het Europees Parlement en de Raad van 8 juni 2011 betreffende beperking van het gebruik van bepaalde gevaarlijke stoffen in elektrische en elektronische apparatuur en in overeenstemming is met de volgende standaarden en reguleringen:
- (FR) Nous déclarons sous notre seule responsabilité que ce produit est conforme aux standards et directives suivants: est conforme à la Directive 2011/65/EU du Parlement Européen et du Conseil du 8 juin 2011 concernant la limitation d'usage de certaines substances dangereuses dans l'équipement électrique et électronique.
- (ES) Declaramos bajo nuestra exclusiva responsabilidad que este producto cumple con las siguientes normas y estándares de funcionamiento: se encuentra conforme con la Directiva 2011/65/UE del Parlamento Europeo y del Consejo de 8 de junio de 2011 sobre la restricción del uso de determinadas sustancias peligrosas en los equipos eléctricos y electrónicos.
- (IT) Dichiariamo, sotto la nostra responsabilità, che questo prodotto è conforme alle normative e ai regolamenti seguenti: è conforme alla Direttiva 2011/65/UE del Parlamento Europeo e del Consiglio dell'8 giugno 2011 sulla limitazione dell'uso di determinate sostanze pericolose nelle apparecchiature elettriche ed elettroniche.
- (SV) Vi garanterar på eget ansvar att denna produkt uppfyller och följer följande standarder och bestämmelser: uppfyller direktiv 2011/65/EU från Europeiska parlamentet och EG-rådet från den 8 juni 2011 om begränsningen av användning av farliga substanser i elektrisk och elektronisk utrustning.
- (DA) Vi erklærer under eget ansvar, at dette produkt er i overensstemmelse med følgende standarder og bestemmelser: er i overensstemmelse med direktiv 2011/65/EU fra Europa-Parlamentet og Rådet af 8. juni 2011 om begrænsning af anvendelsen af visse farlige stoffer i elektrisk og elektronisk udstyr.
- (PL) Deklarujemy na własną odpowiedzialność, że ten produkt spełnia wymogi zawarte w następujących normach i przepisach: jest zgodny z Dyrektywą 2011/65/UE Parlamentu Europejskiego i Rady z dnia 8 czerwca 2011 r. w sprawie ograniczenia stosowania niektórych niebezpiecznych substancji w sprzęcie elektrycznym i elektronicznym.
- (RO) Declaram prin aceasta cu răspunderea deplină că produsul acesta este în conformitate cu următoarele standarde sau directive: este în conformitate cu Directiva 2011/65/UE a Parlamentului European și a Consiliului din 8 iunie 2011 cu privire la interzicerea utilizării anumitor substanțe periculoase la echipamentele electrice și electronice.
- (PT) Declaramos por nossa total responsabilidade-de que este produto está em conformidade e cumpre as normas e regulamentações que se seguem: está em conformidade com a Directiva 2011/65/EU do Parlamento Europeu e com o Conselho de 8 de Junho de 2011 no que respeita à restrição de utilização de determinadas substâncias perigosas existentes em equipamento eléctrico e electrónico.
- (HU) Felelősségünk teljes tudatában kijelentjük, hogy ez a termék teljes mértékben megfelel az alábbi szabványoknak és előírásoknak: je v souladu se směrnici 2011/65/EU Evropského parlamentu a Rady EU ze dne 8. června 2011, která se týká omezení použití určitých nebezpečných látek v elektrických a elektronických zařízeních.
- (CS) Na naši vlastní zodpovědnost prohlašujeme, že je tento výrobek v souladu s následujícími standardy a normami: Je v souladu s normou 2011/65/EÚ Európskeho parlamentu a Rady z 8. júna 2011 týkajúcej sa obmedzenia používania určitých nebezpečných látok v elektrickom a elektronickom vybavení.

**RW501DC: EN 62841-1, EN 62841-2-2, EN 55014-1, EN 55014-2, 2006/42/EC, 2014/30/EU, 2011/65/EU**

**S\_RW501DC/S2\_RW501DC/S3\_RW501DC: EN 62841-1, EN 62841-2-2, EN 55014-1, EN 55014-2, EN 61000-3-2, EN 61000-3-3, EN 60335-1, EN 60335-2-29, EN 62233, 2006/42/EC, 2014/30/EU, 2014/35/EU, 2011/65/EU**

Zwolle, 01-03-2023

H.G.F Rosberg  
CEO

**VONROC • Lingenstraat 6 • 8028 PM Zwolle • The Netherlands**



**VONROC®**

BUILD YOUR FUTURE

©2023 VONROC

[WWW.VONROC.COM](http://WWW.VONROC.COM)

2303-02